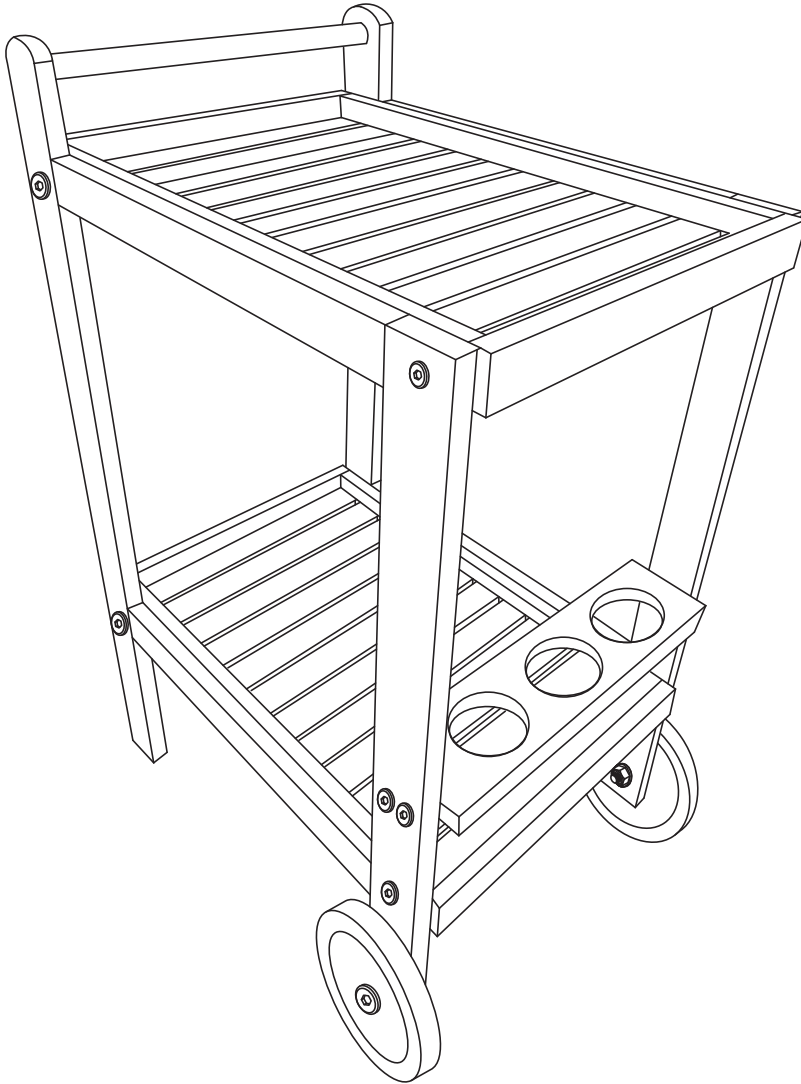
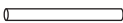
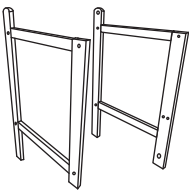
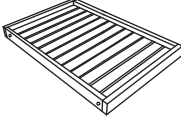







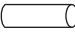





SERVING CART WITH BOTTLE HOLDER LAM-789

Review all assembly and care instructions carefully before using this product. Save this manual for future reference.
Assemble components on a soft, clean surface to avoid damaging the finish.



Inspect packaging to ensure all parts are accounted for before disposing of packing materials.
Save the packing slip.

No.	PARTS	QTY.
A	 Handle	1
B	 Side Panel (L/R)	2
C	 Tray	2
D	 Bottle Holder	1
E	 Wheel	2
F	 JCBB M8x60mm Bolt	2
G	 JCBC M6x35mm Bolt	12
H	 Plastic Washer	2
I	 M8 Lock Nut	2
J	 M8x18mm Flat Washer	4
K	 Metal Tube	2

INCLUDED TOOLS	
	M4 Hex Key
	M5 Hex Key
	Spanner

NOTE: Over time and with use, the bolts may become loose. Save the included tools for tightening loosened hardware.

⚠ WARNING ⚠

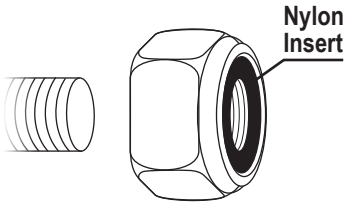
CHOKING HAZARD — This item contains small parts that can be swallowed. Keep children and pets away during assembly.

ⓘ HELPFUL HINT

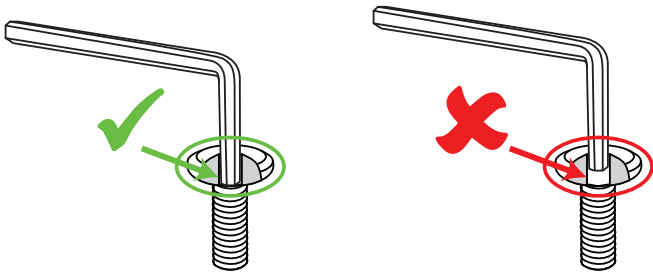
This item was treated with teak oil at the factory. Apply a suitable wood oil at least once a year, or when the wood looks particularly dry. Left untreated, the wood will weather to a silvery gray color.

ASSEMBLY

Review all steps and understand assembly before beginning.



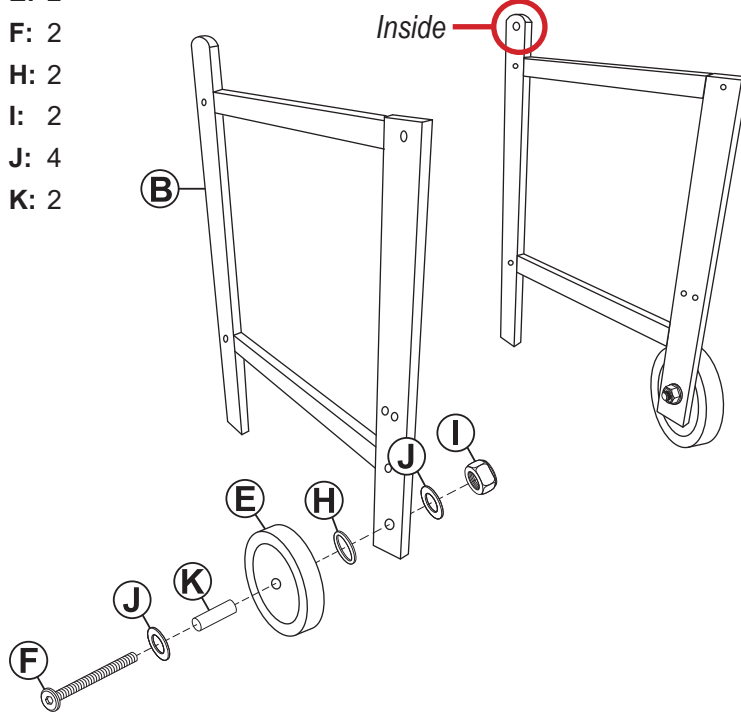
! IMPORTANT: Lock nuts must be installed with the nylon insert on the outside. Tools are required to fully tighten lock nuts, failure to properly tighten the lock nuts may result in product malfunction or personal injury.



Tip: Always fully insert the hex key inside the designated notch of the bolt.

If the hex key is not fully inside the notch, the hex key could slip out, causing damage to the bolt head. Repeated hex key slipping will cause the notch to become rounded, making it difficult or impossible to tighten the bolt with the hex key.

STEP 1 NOTE: The wheels must be installed on the outside of the side panels. The inside of the panels have a borehole for handle installation.



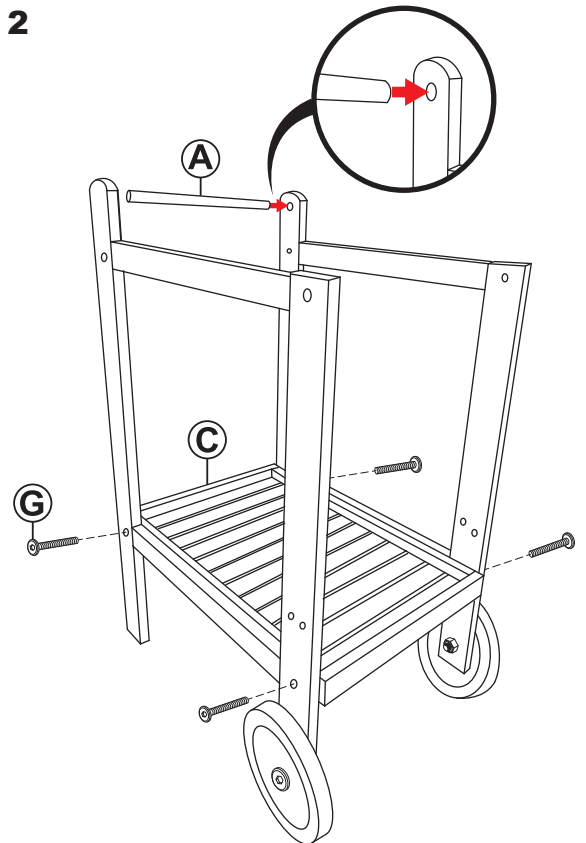
Run Metal Tube (K) through Wheel (E), Plastic Washer (H) and Side Panel (B). Secure the wheel using one M8x60mm Bolt (F), two Flat Washers (J), and one M8 Lock Nut (I), as shown.

Use included M5 Hex Key and Spanner to firmly tighten the lock nut; avoid over-tightening as doing so may prevent the wheels from turning.

Repeat this step to fasten the remaining wheel to the other side panel.

STEP 2

- A: 1
- C: 1
- G: 4



Align one Tray (C) with the bottom mounting holes on the side panels. Loosely attach the tray to the side panels using four M6x35mm Bolts (G) and included M4 Hex Key.

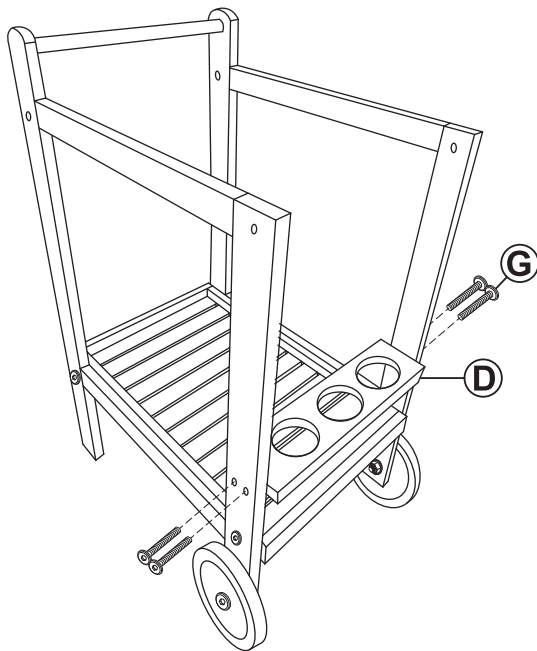
Do not fully tighten bolts until after Step 4 is complete.

Place Handle (A) into the boreholes in the top of the side panels, as shown.

STEP 3

D: 1

G: 4



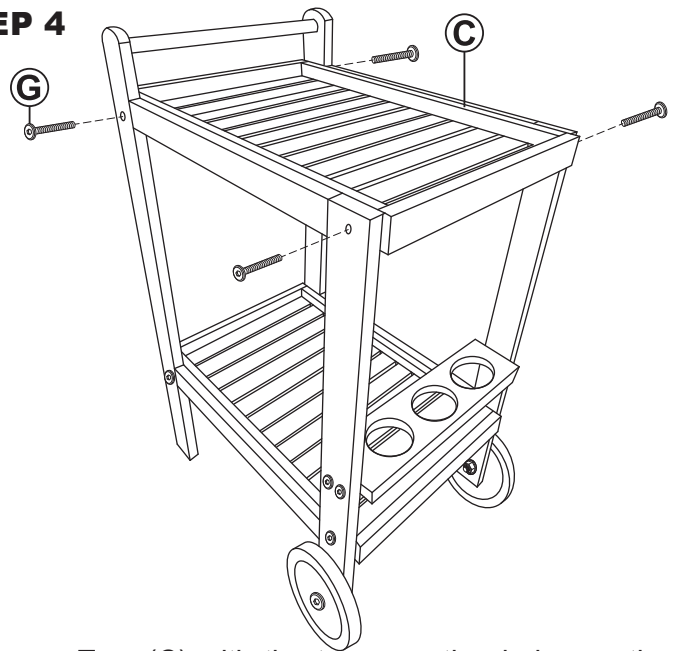
Align Bottle Holder (D) with the front of the side panels and loosely fasten using four M6x35mm Bolts (G).

Do not fully tighten bolts until after Step 4 is complete.

STEP 4

C: 1

G: 4



Align one Tray (C) with the top mounting holes on the side panels and firmly securing using four M6x35mm Bolts (G).

Finish tightening bolts from previous steps.

Care & Maintenance

SAFE USE: For residential use only. Only use on a flat, level surface. Never sit or stand on any part of this unit.

CLEAN: Identify the direction of the woodgrain. Following the direction of the woodgrain, wipe surfaces with a soft cloth.

INSPECT: Periodically check hardware and tighten as necessary.

EXPOSURE: Over time, sunlight and weather elements may change the color of natural wood. Avoid leaving wooden furniture in the rain or high-humidity climates as wood can expand and contract with humidity changes; you may need to tighten fittings periodically. If this item is not used for extended periods, we recommend covering or storing it indoors.

MAINTENANCE: The wood was treated with teak oil at the factory. Apply a suitable wood oil (not included) at least once a year, or when the wood looks particularly dry. Follow application instructions as provided with the manufacturer.

WINTER CARE & STORAGE: Cover and store furniture indoors during the winter to protect it from ice and snow. Doing so will preserve the appearance and integrity of the unit.

WARNING: THE ONE-YEAR WARRANTY DOES NOT COVER DAMAGES OR DEFECTS CAUSED BY THE APPLICATION OF CHEMICAL TREATMENTS, PROTECTIVE COATINGS, TOUCH-UP PAINT, OR CLEANING PRODUCTS.

! SAFETY STATEMENTS & WARNINGS !

- Do not sit or stand on any part of this unit.
- Do not exceed the weight capacity of the unit.
- Do not allow children to use this product.
- Do not put hot items on or near furniture.
- Keep furniture a safe distance from heat sources such as fire pits, patio heaters, and grills.
- Do not use harsh chemicals or abrasive materials to clean this unit.
- This product is for residential use only; institutional or commercial use will automatically void the product warranty.

Any modification to the product or failure to follow recommended care will void the product warranty.

If you experience issues with assembly or the product was damaged during shipping, please contact our customer service team through one of the methods mentioned at the top of page 1. Please have the item number and order information ready to expedite response time.

! WARNING:

Manufacturer and seller expressly disclaim any and all liability from personal injury, property damage or loss, whether direct or indirect, or incidental, resulting from the incorrect attachment, improper use, inadequate maintenance, or neglect of this product.