


WOOD PATIO BENCH DMR-928

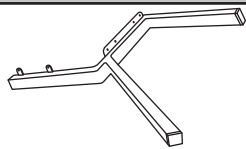
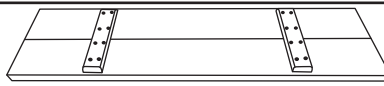
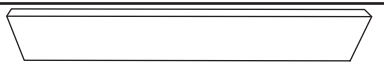

Read all assembly and care instructions carefully before using this product. Save this manual for future reference.
Assemble components on a soft, clean surface to avoid damaging the finish.



 **Inspect packaging to ensure all parts are accounted for before disposing of packing materials.**
Save the packing slip.

TOOLS REQUIRED (not included)	
	Phillips Screwdriver

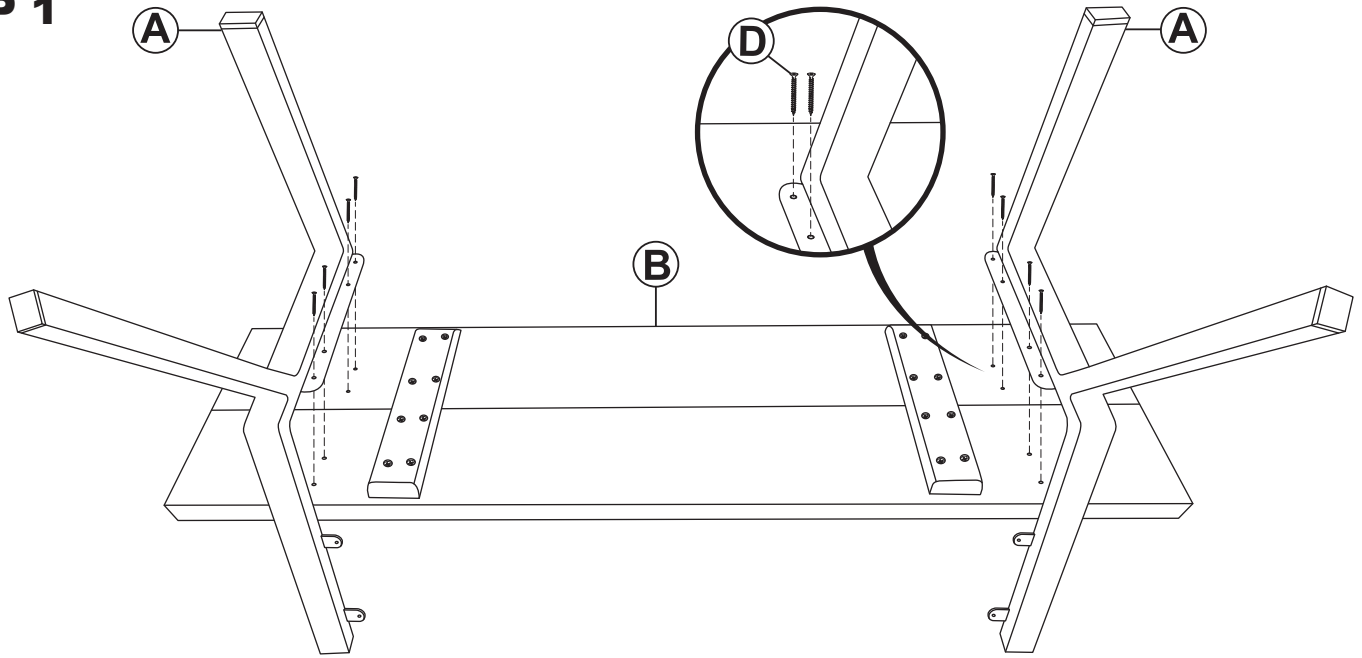
⚠ WARNING ⚠
CHOKING HAZARD — This item contains small parts that can be swallowed. Keep children and pets away during assembly.

No.	PARTS	QTY.
A	 Leg Panel (L/R)	2
B	 Seat	1
C	 Backrest	1
D	 M4x40mm Screw	12

ASSEMBLY

STEP 1

A: 2
B: 1
D: 8



Lay Seat (B) facedown on the edge of a clean table.

With the mounting holes facing the center of the seat, align one Leg Panel (A) with the bottom of Seat (B) and secure using four M4x40mm Screws (D).

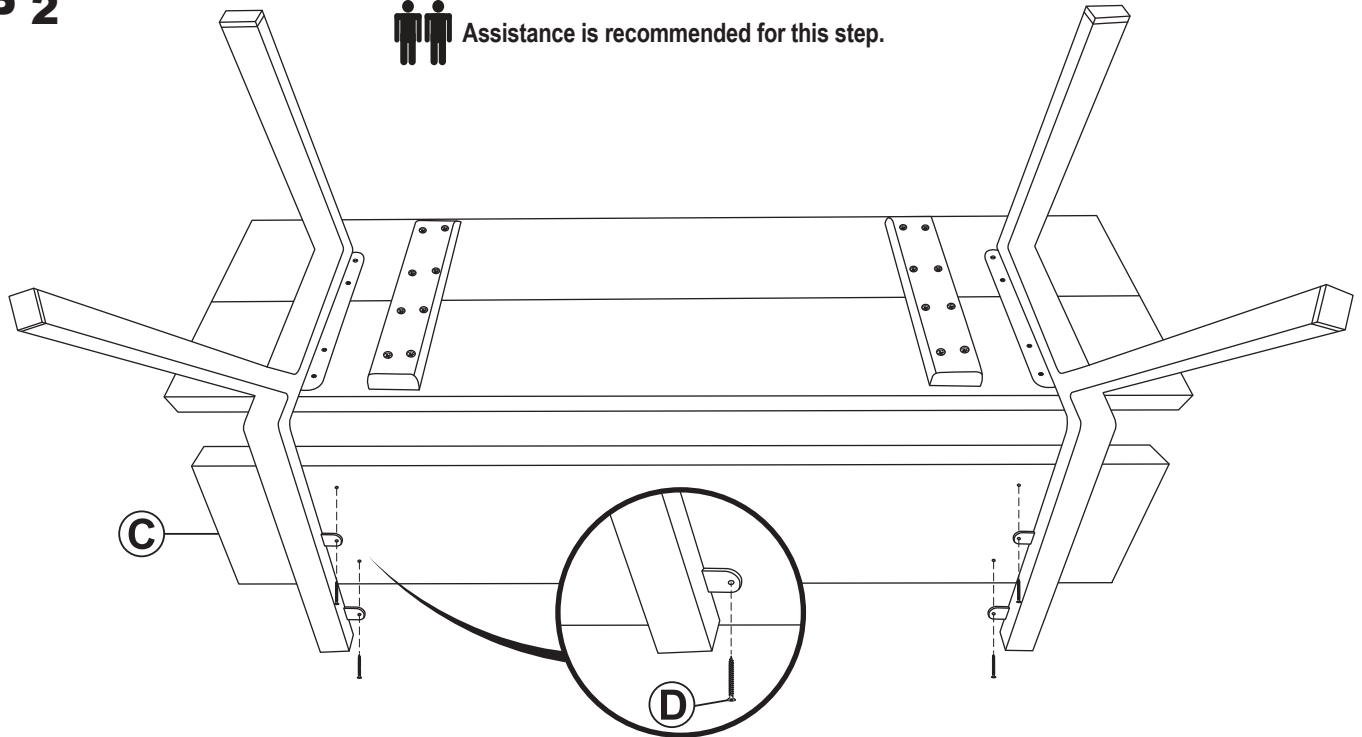
Align remaining Leg (A) with the opposite side of the seat and secure using four M4x40mm Screws (D).

STEP 2

C: 1
D: 4



Assistance is recommended for this step.



With assistance, align Backrest (C) with the leg panels, as shown.

Secure the backrest to the legs using four M4x40mm Screws (D).



Care & Maintenance

SAFE USE: For residential use only. Only use on a flat, level surface. Never stand on any part of this unit.

CLEAN OFTEN: Use a damp cloth to clean as needed. Dry with a soft cloth. Never use harsh chemicals or abrasive materials to clean this item.

INSPECT: Periodically check hardware and tighten as necessary.

PROTECT: Always wipe up moisture promptly and dry with a soft cloth. Avoid dragging sharp or rough objects across the surface of your wood furniture. Avoid direct contact with products that may react with or can stain the wood, including, but not limited to, rubber bumper pads, glass containers, candle wax, and outdoor heating sources.

EXPOSURE: Over time, sunlight and weather elements may change the color of natural wood. Avoid leaving wooden furniture in the rain or high-humidity climates as wood can expand and contract with humidity changes; you may need to tighten fittings periodically. If this item is not used for extended periods, we recommend covering or storing it indoors.

WINTER CARE & STORAGE: Cover and store furniture indoors during the winter to protect it from ice and snow. Doing so will preserve the appearance and integrity of the unit.

SAFETY STATEMENTS & WARNINGS

- Do not stand on any part of this unit.
- Do not exceed the weight capacity of the unit.
- Do not put hot items on or near furniture.
- Keep furniture a safe distance from heat sources such as fire pits, patio heaters, and grills.
- Do not use harsh chemicals or abrasive materials to clean this unit.
- This product is for residential use only; institutional or commercial use will automatically void the product warranty.

Any modification to the product or failure to follow recommended care will void the product warranty.

If you experience issues with assembly or the product was damaged during shipping, please contact our customer service team through one of the methods mentioned at the top of page 1.

Please have the item number and order information ready to expedite response time.

WARNING!

Manufacturer and seller expressly disclaim any and all liability from personal injury, property damage or loss, whether direct or indirect, or incidental, resulting from the incorrect attachment, improper use, inadequate maintenance, or neglect of this product.

