

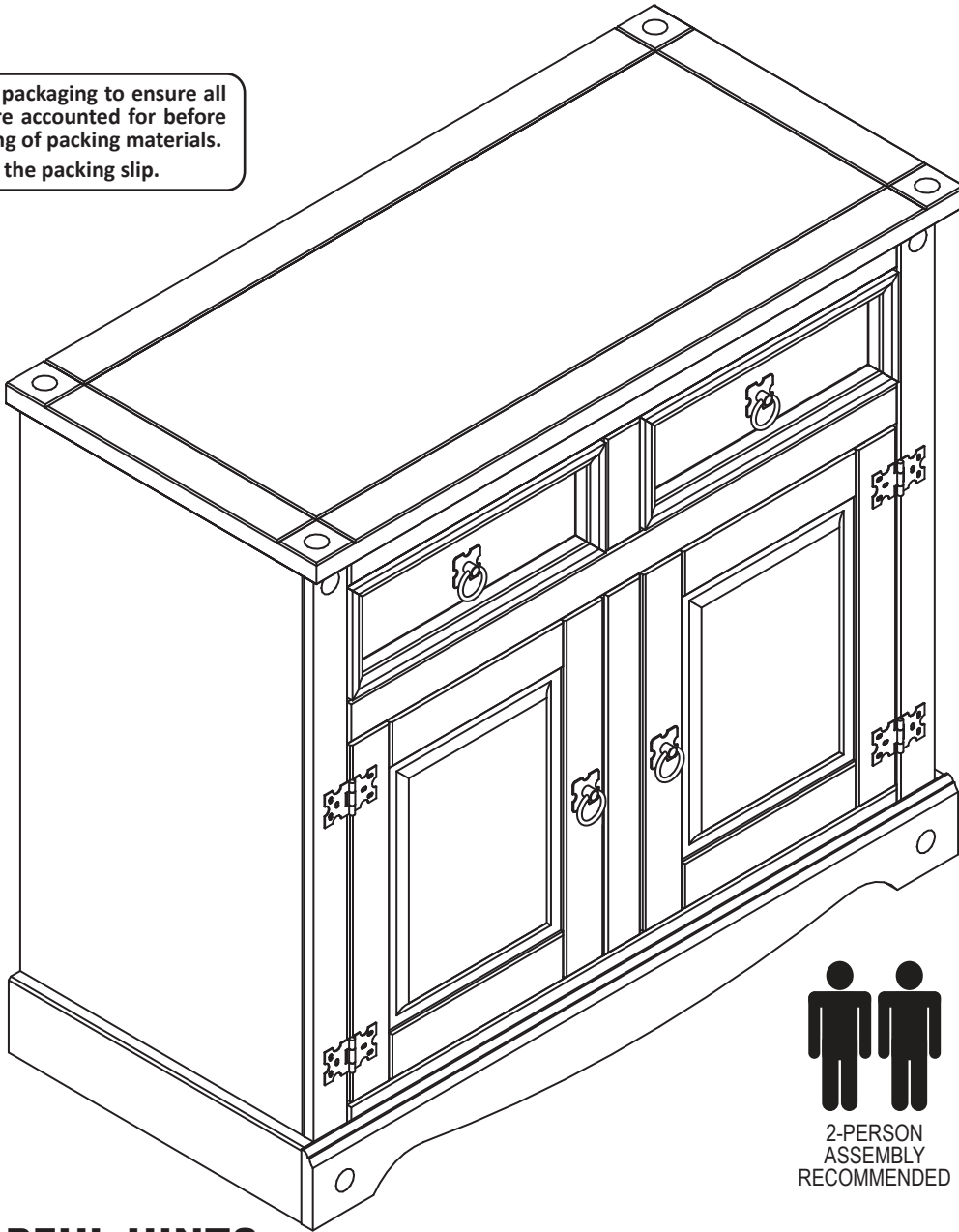


SIDEBOARD CABINET WITH DRAWERS

Carefully review assembly and care instructions before using this product. Save this document for future reference.
Assemble components on a soft, clean surface to avoid scratching or damaging the finish.



Inspect packaging to ensure all parts are accounted for before disposing of packing materials.
 Save the packing slip.



SCAN THIS CODE WITH YOUR SMARTPHONE TO VIEW OUR ASSEMBLY VIDEO



HELPFUL HINTS

Sunnydaze Decor advises reviewing this manual fully, and assembling the unit soon after purchase. Check that all parts are accounted for and familiarize yourself with the assembly before beginning.

SAVE THIS MANUAL FOR FUTURE REFERENCE.

INTRODUCTION

Read the manual carefully to ensure you fully understand all use, care, assembly, and safety information.



Read this manual carefully and follow the assembly instructions in the order listed. Pay close attention to assembly drawings.



Regularly clean with a clean microfiber cloth to prevent dust accumulation.



Do not paint the unit.
Do not use abrasive materials or cleaners to clean the furniture.



Indoor use only.
Do not expose the furniture to heat or humidity.



When cleaning nearby the furniture, do not allow contact with water or cleaners as it may deteriorate the furniture.



Do not allow metal components to come in contact with water or cleaners as it may cause rust and staining.



Assemble on a soft, flat, clean, and dry surface.

Use a soft, protective barrier when assembling the furniture.



TIP: Use the box carton as a protective layer to separate and protect the parts from scratches and other damage during assembly.



Do not push or drag furniture as doing so may damage the unit.

Only move furniture when it is empty.

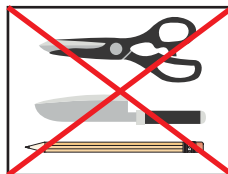


Always ask for help when moving furniture.



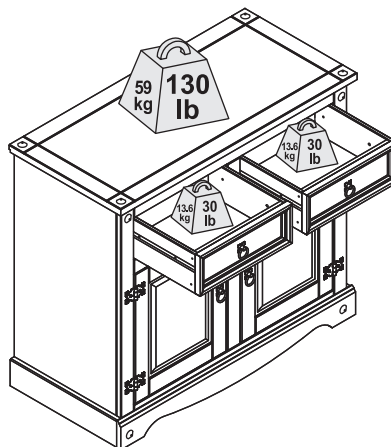
Avoid Accidents - Do not climb, sit or stand on the furniture.

Do not allow children to play on or inside the furniture.



Keep sharp objects away as they may scratch or damage the unit.

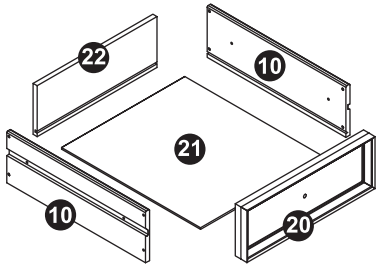
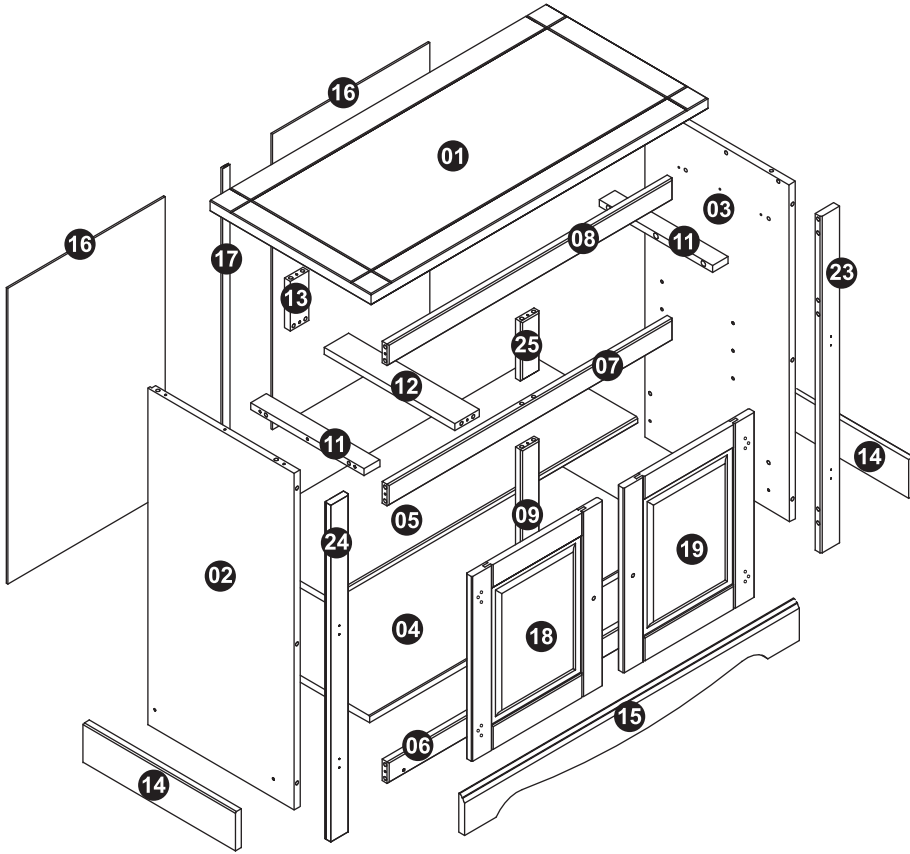
Do not use the furniture as a writing surface without a padded barrier.



! NOTICE:

Manufacturer and seller expressly disclaim any and all liability from personal injury, property damage or loss, whether direct or indirect, or incidental, resulting from the incorrect attachment, improper use, inadequate maintenance, or neglect of this product.

COMPONENTS



x2

Inspect packaging to ensure all parts are accounted for before disposing of packing materials. Save the packing slip.

TOOLS REQUIRED (not included)	
	Phillips Screwdriver
	Regular Screwdriver
	Rubber Mallet
	Hammer
	Power Drill, 6mm Drill Bit, 2mm Drill Bit <i>(only use for installing wall anchor kit)</i>

SEQ.	PART NAME	QTY.
01	Top	1
02	Left Side Panel	1
03	Right Side Panel	1
04	Bottom Panel	1
05	Shelf	1
06	Bottom Frame	1
07	Center Face Frame	1
08	Top Face Frame	1
09	Vertical Cabinet Face Frame	1
10	Drawer Side (L/R)	4
11	Outside Drawer Rail (L/R)	2
12	Center Drawer Rail	1
13	Center Drawer Rail Support	1
14	Side Trim Board (L/R)	2
15	Front Trim Board	1
16	Backing Board	2
17	Divider	1
18	Left Door	1
19	Right Door	1
20	Drawer Face	2
21	Drawer Bottom	2
22	Drawer Back	2
23	Right Stile	1
24	Left Stile	1
25	Vertical Drawer Face Frame	1

No.	HARDWARE	QTY.
A	Wood Dowel	44
B	M4.5x28mm Pan Screw	28
C	M3.5x14mm Pan Screw	24
D	M3.5x25mm Pan Screw	10
E	Tack	8
F	M4.5x25mm Pan Screw	6
G	Handle Set	4
H	Connector	12
J	Catch	2
K	Strike	2
L	M3.5x30mm Flat Screw	16
M	Hinge	4
N	Shelf Pin	4
O	M3x16mm Flat Screw	8
P	Drawer Slide	4
Q	M4x8mm Bolt	4
R	M4x14mm Flat Screw	12
Y	Wall Anchor Kit	1
Z	8x8mm Nail	22

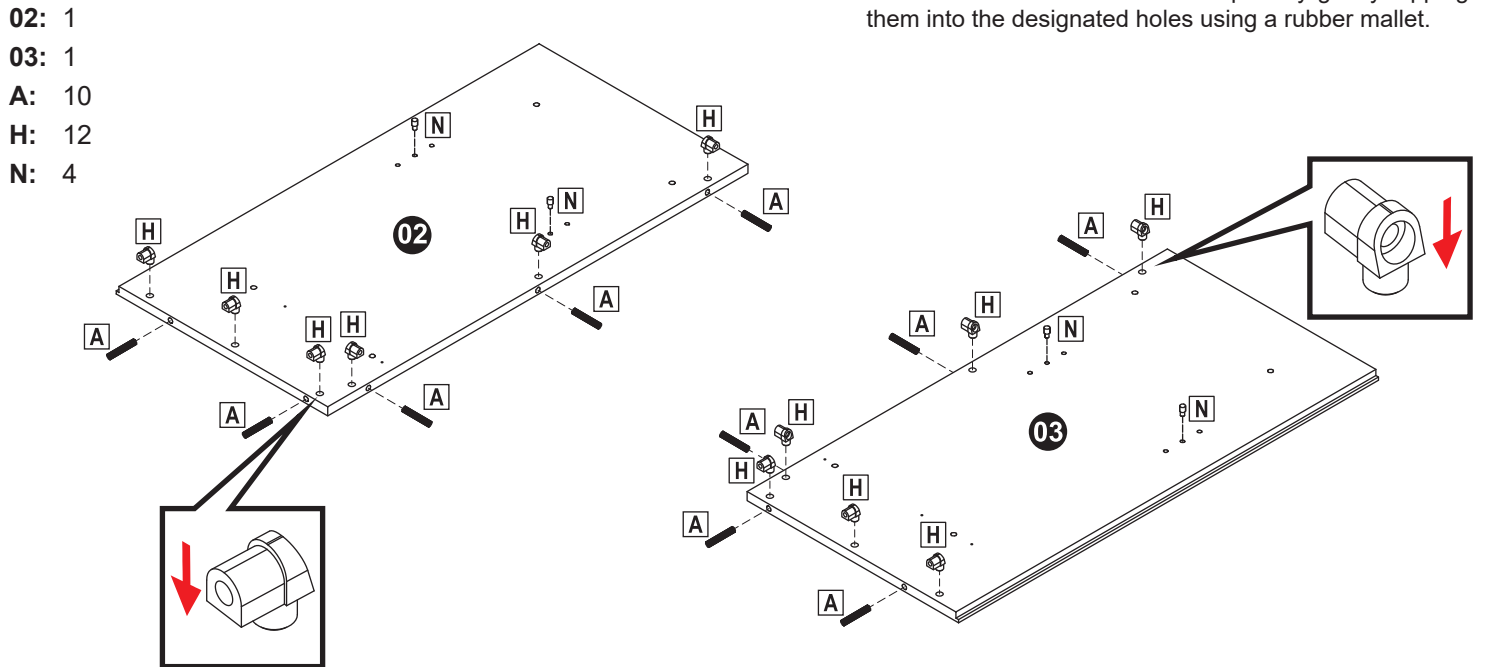
WARNING
CHOKING HAZARD —
 This item contains small parts that can be swallowed. Keep children and pets away during assembly.

ASSEMBLY

Carefully review all steps and fully understand assembly before beginning.

IMPORTANT: Take care not to over-tighten screws as doing so may crack the wood or strip the screw hole, causing a weak connection and reduced stability.

STEP 1



Locate and lay out Left Side Panel (02) and Right Side Panel (03).

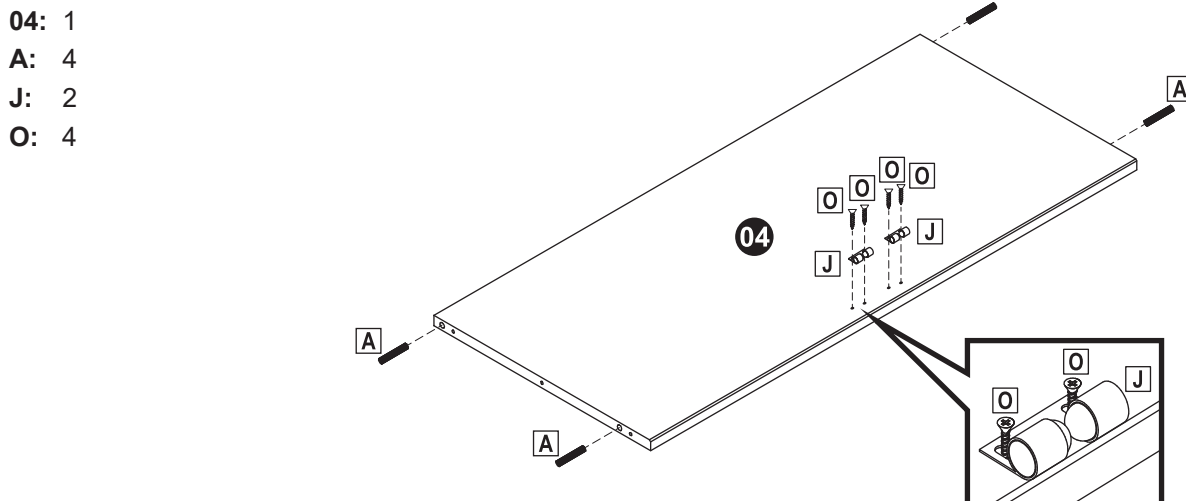
Install components as shown in the diagrams, and noted below:

Left Side Panel (02), install five Wood Dowels (A), six Connectors (H), and two Shelf Pins (N).

Right Side Panel (03), install five Wood Dowels (A), six Connectors (H), and two Shelf Pins (N).

Set components aside.

STEP 2



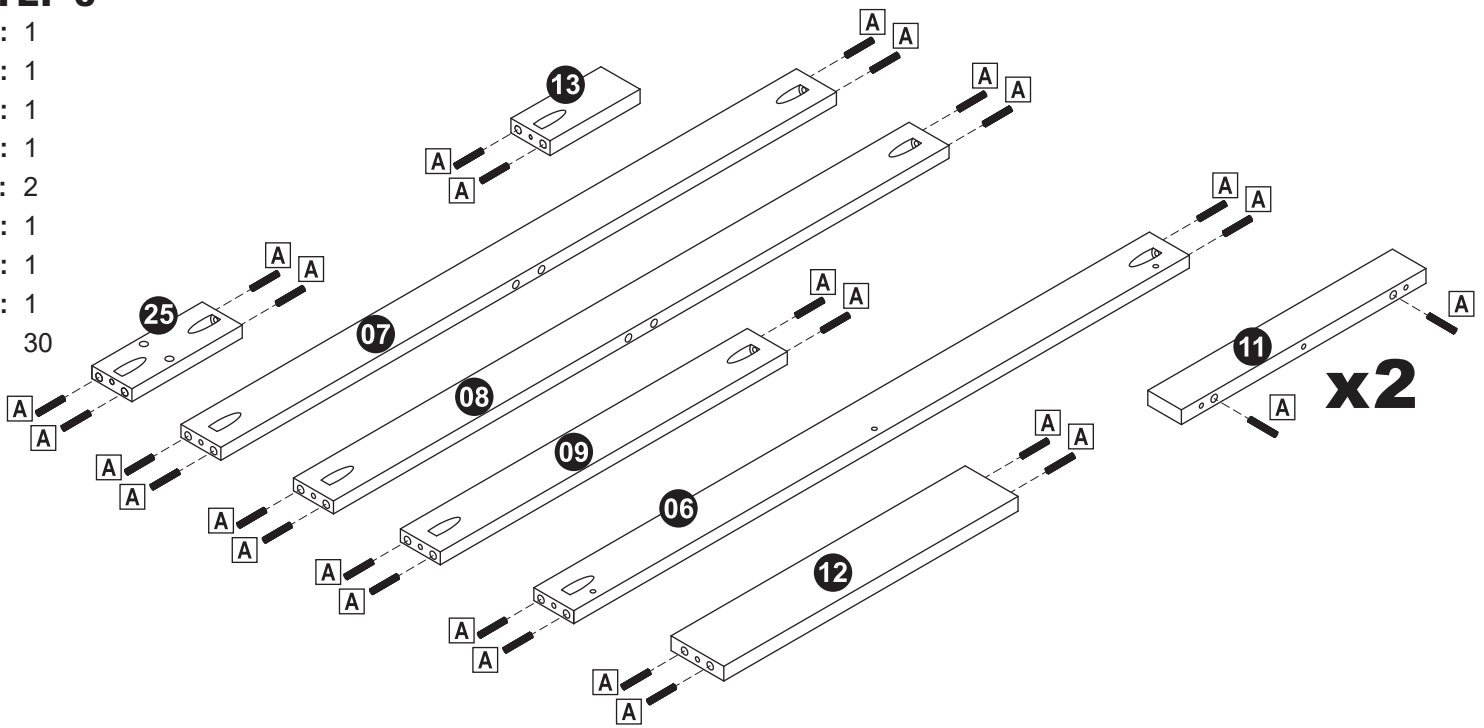
Install four Wood Dowels (A) into Bottom Panel (04), as shown.

Identify the indents on the panel and align two Catches (J). Secure each catch using two M3x16mm Flat Screws (O).

Set component aside.

STEP 3

- 06: 1
- 07: 1
- 08: 1
- 09: 1
- 11: 2
- 12: 1
- 13: 1
- 25: 1
- A: 30



Install four Wood Dowels (A) into Bottom Frame (06), Center Face Frame (07), Top Face Frame (08), Vertical Cabinet Face Frame (09), Center Drawer Rail (12), and Vertical Drawer Face Frame (25).

Install two Wood Dowels (A) into two Outside Drawer Rails (11), Center Drawer Rail Support (13), and Vertical Drawer Face Frame (25).

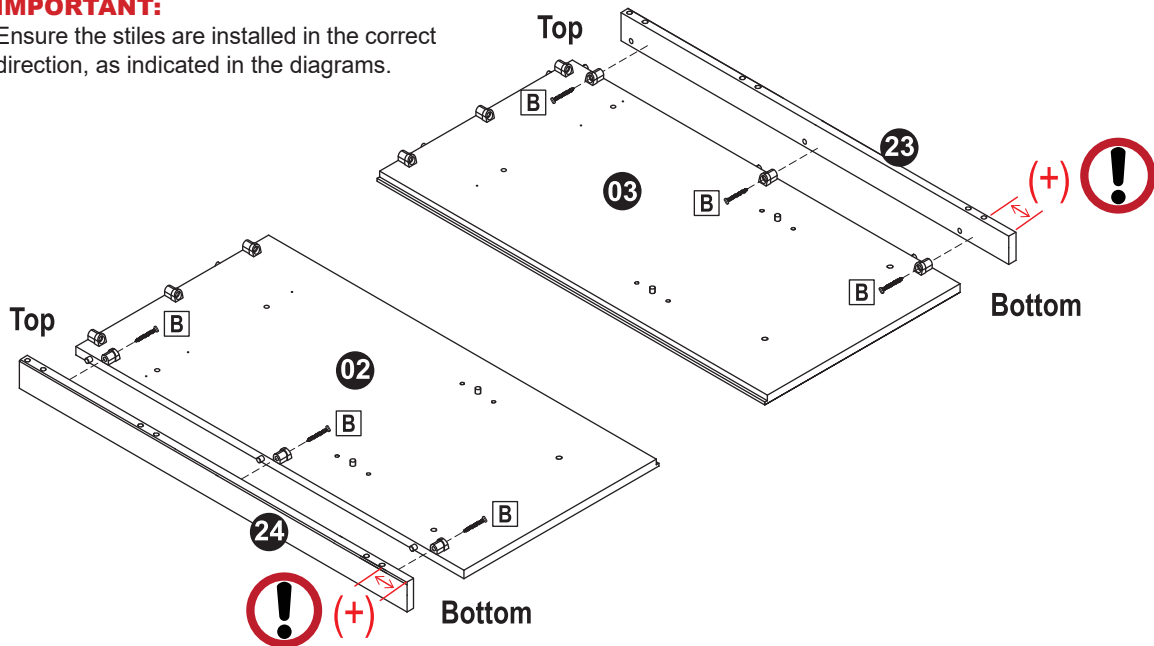
Set components aside, label if necessary.

STEP 4

IMPORTANT:

Ensure the stiles are installed in the correct direction, as indicated in the diagrams.

- 23: 1
- 24: 1
- B: 6



Identify the Top and Bottom of Side Panels (02,03), Left Stile (24) and Right Stile (23); the bottom of the stiles will have a larger gap between the mounting holes and the end of the panel.

Ensuring the tops and bottoms are on the same side, align Left Stile (24) with Left Side Panel (02) and secure using three M4.5x28mm Pan Screws (B).

Ensuring the tops and bottoms are on the same side, align Right Stile (23) with Right Side Panel (03) and secure using three M4.5x28mm Pan Screws (B).

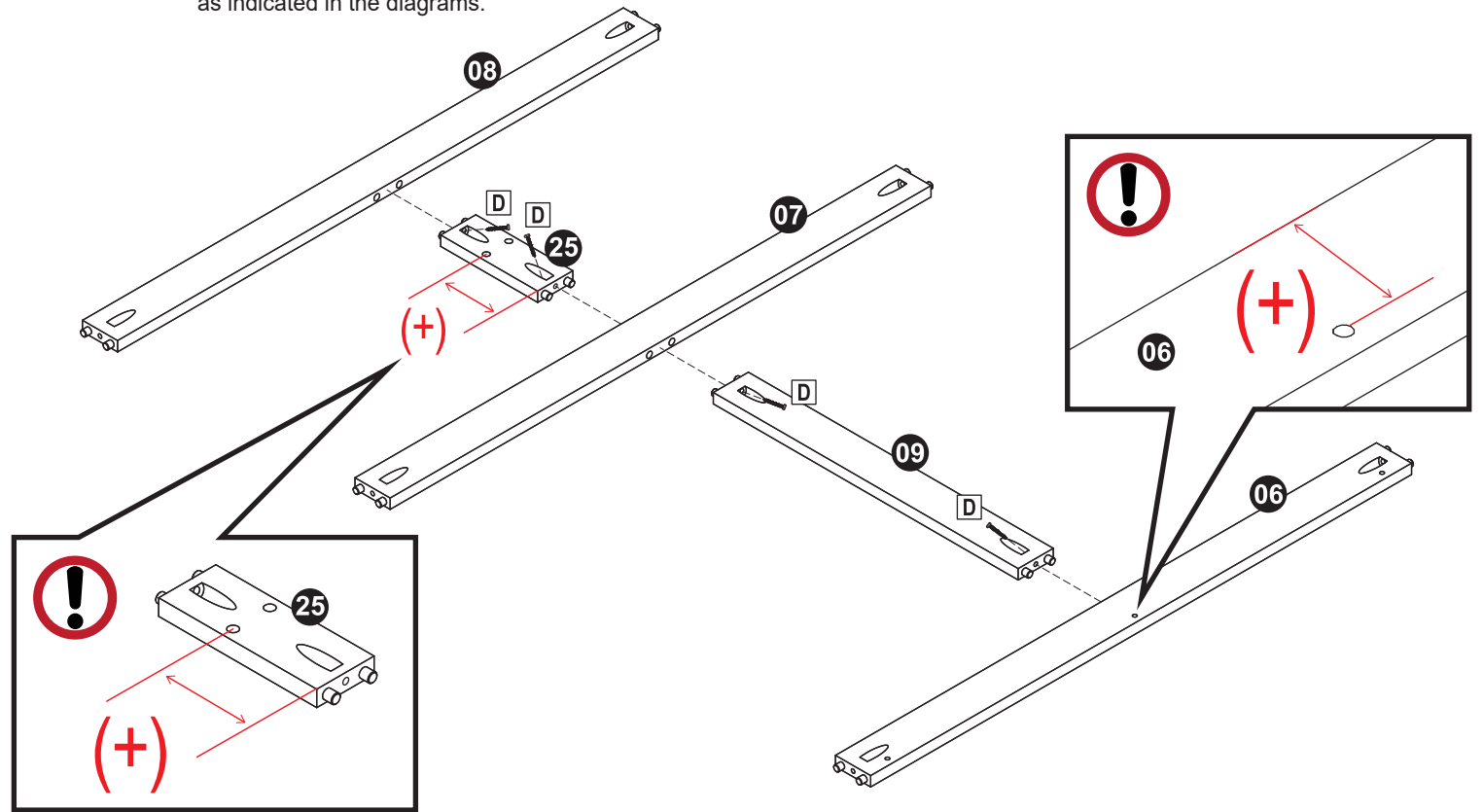


STEP 5

D: 4

IMPORTANT:

Ensure all components are installed in the correct direction, as indicated in the diagrams.



With the angled mounting holes facing upward, lay Bottom Frame (06), Center Face Frame (07), Top Face Frame (08), Vertical Cabinet Face Frame (09), and Vertical Drawer Face Frame (25), as shown.

NOTE: Vertical Drawer Face Frame (25) is marked with a + and - symbol to indicate there is a lesser and greater distance between the mounting holes and the edges. The minus (-) symbol must install toward Top Face Frame (08), the plus (+) symbol must install toward Center Face Frame (07).

After components are aligned as shown above, secure using four M3.5x25mm Pan Screws (D).

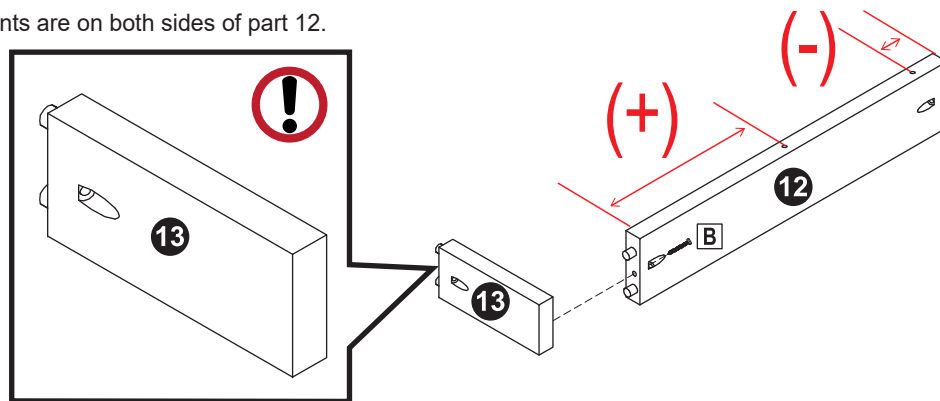
STEP 6

B: 1

IMPORTANT:

Ensure the rail support is installed in the correct direction, as indicated by the diagram.

The indents are on both sides of part 12.



Identify the two indents on both sides of Center Drawer Rail (12), the indent with the longer distance between it and the edge of the rail must be installed toward Center Drawer Rail Support 13.

After aligning the drawer rail components, secure them using one M4.5x28mm Pan Screws (B).

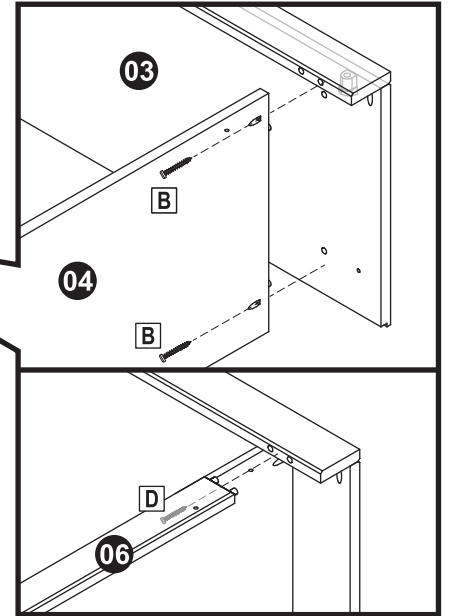
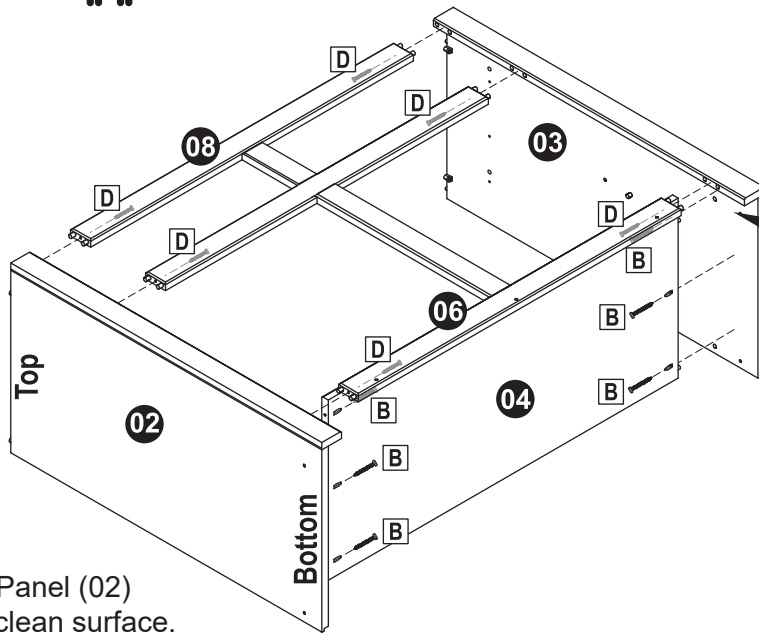
STEP 7

B: 6

D: 6



Assistance is recommended for this step.



Lay Side Panel (02) on a flat, clean surface.

Ensuring the catches on Bottom Panel (04) face toward the top of the unit, align Bottom Panel (04) with the mounting holes on the bottom of the side panel. Then, align the assembled face frame with the mounting holes in the left stile. Secure Bottom Panel (04) using three M4.5x28mm Pan Screws (B). Then, secure the face frames using three M3.5x25mm Pan Screws (D).

Align Side Panel (03) with the opposite side of the unit. With assistance, carefully flip the unit so Side Panel (03) is on the flat, clean surface. Then, secure components using the same hardware as noted for securing the left side panel.

STEP 8

01: 1

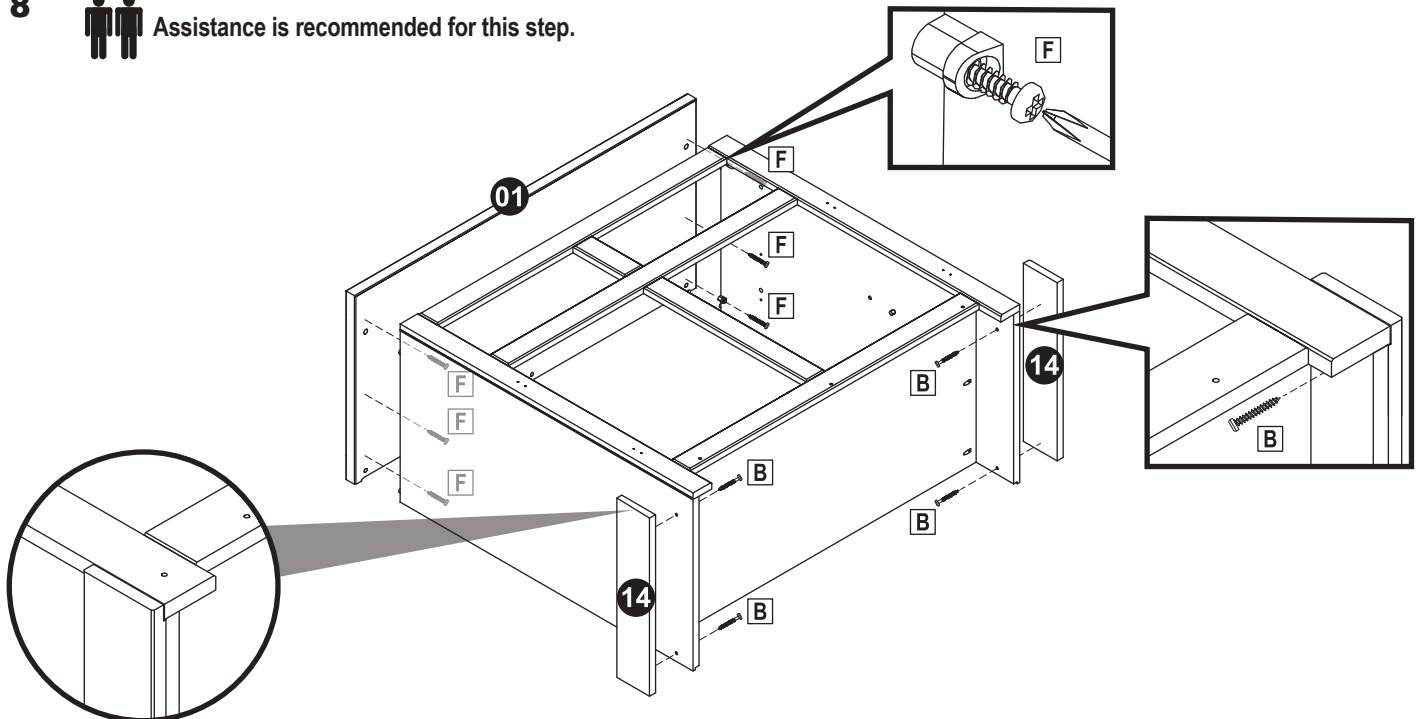
14: 2

B: 4

F: 6



Assistance is recommended for this step.



Align two Side Trim Boards (14) with the bottom of the unit, as shown. Have an assistant firmly hold the trim boards in place to ensure they remain flush with the unit while hardware is secured. From the inside of the side panels, secure each trim board using two M4.5x28mm Pan Screws (B).

Lay Top (01) on a flat, clean surface. Align the assembled components with the top and secure using six M4.5x25mm Pan Screws (F).

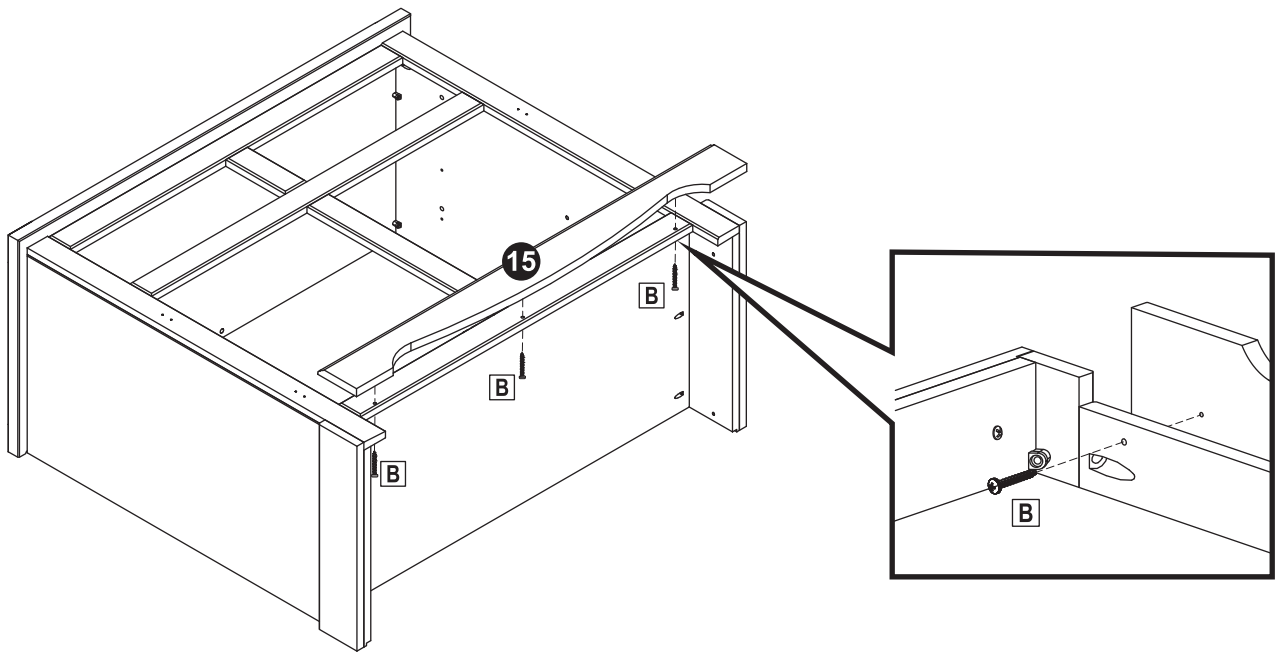
STEP 9

15: 1

B: 3



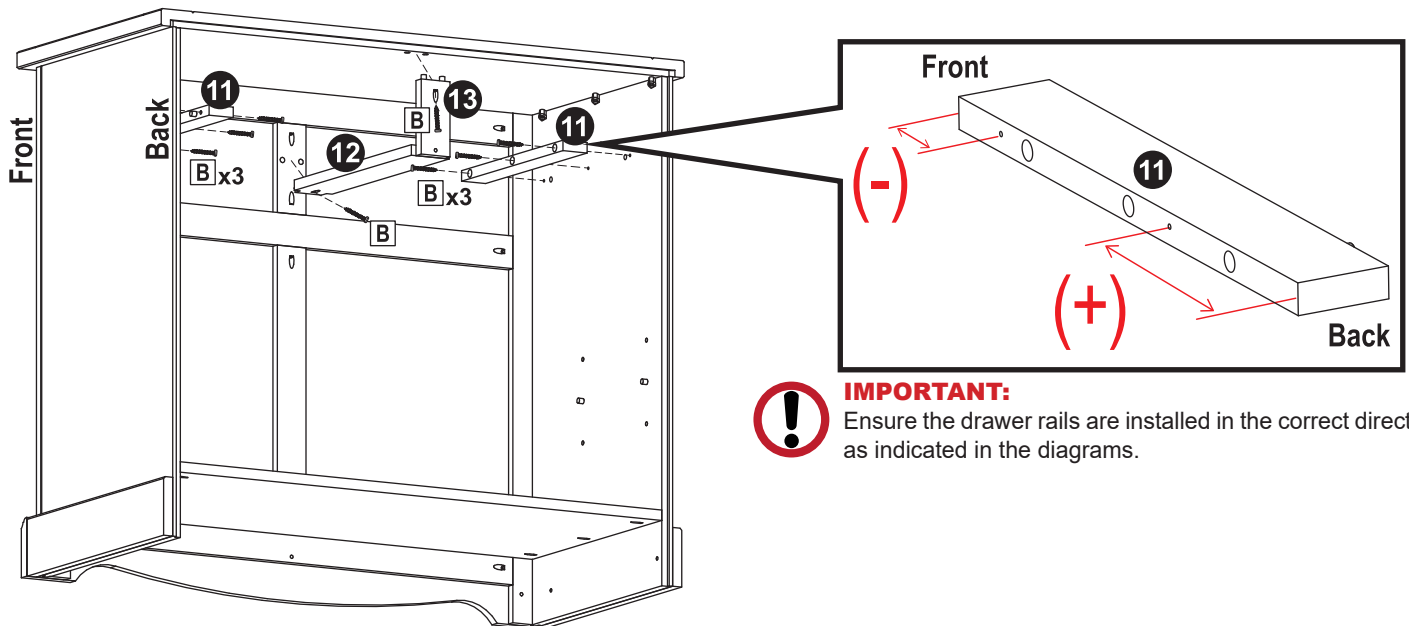
Assistance is recommended for this step.



Align Front Trim Board (15) with the bottom, front of the unit. Have an assistant firmly hold the trim board in place to ensure it remains flush while hardware is secured. Secure the trim board to the bottom frame using three M4.5x28mm Pan Screws (B).

STEP 10

B: 8



IMPORTANT:

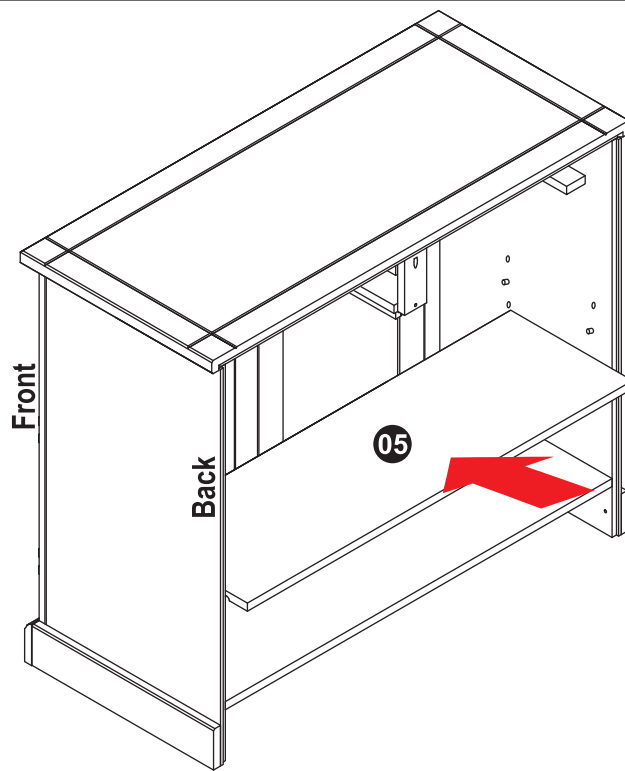
Ensure the drawer rails are installed in the correct direction, as indicated in the diagrams.

Identify the two indents on Outside Drawer Rails (11), the indent with the shortest distance between the indent and the edge of the rail must be installed toward the front of the cabinet.

Align Center Drawer Rail (12,13) with the vertical drawer face frame and the top. Then, secure using two M4.5x28mm Pan Screws (B).

STEP 11

05: 1



Ensuring the finished edge faces the front of the cabinet, place Shelf (05) on the shelf pins.

STEP 12

18: 1

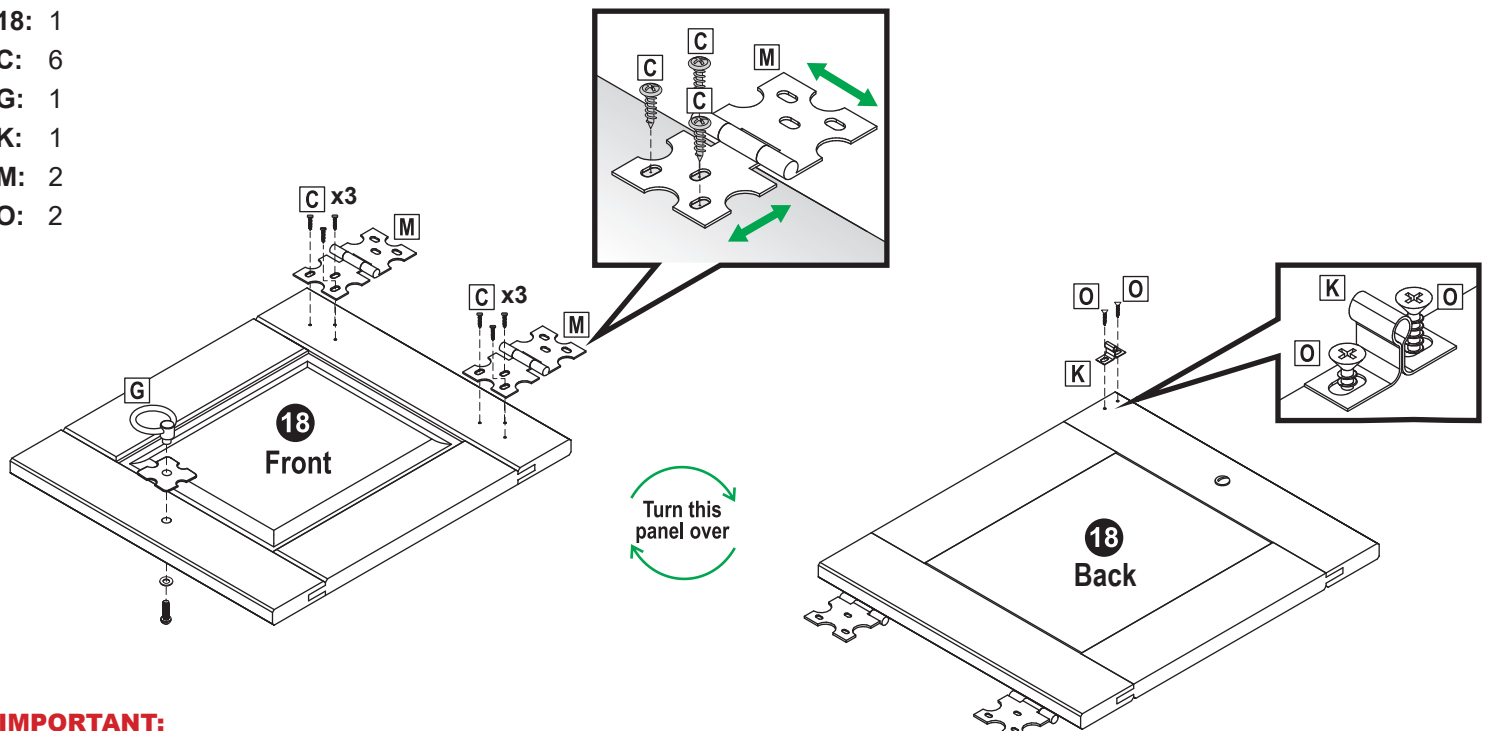
C: 6

G: 1

K: 1

M: 2

O: 2



IMPORTANT:

Note the direction of the mounting holes on the hinges and install as shown in the diagram.

Do not fully secure Screws (C) until after the door is properly aligned in the next step.

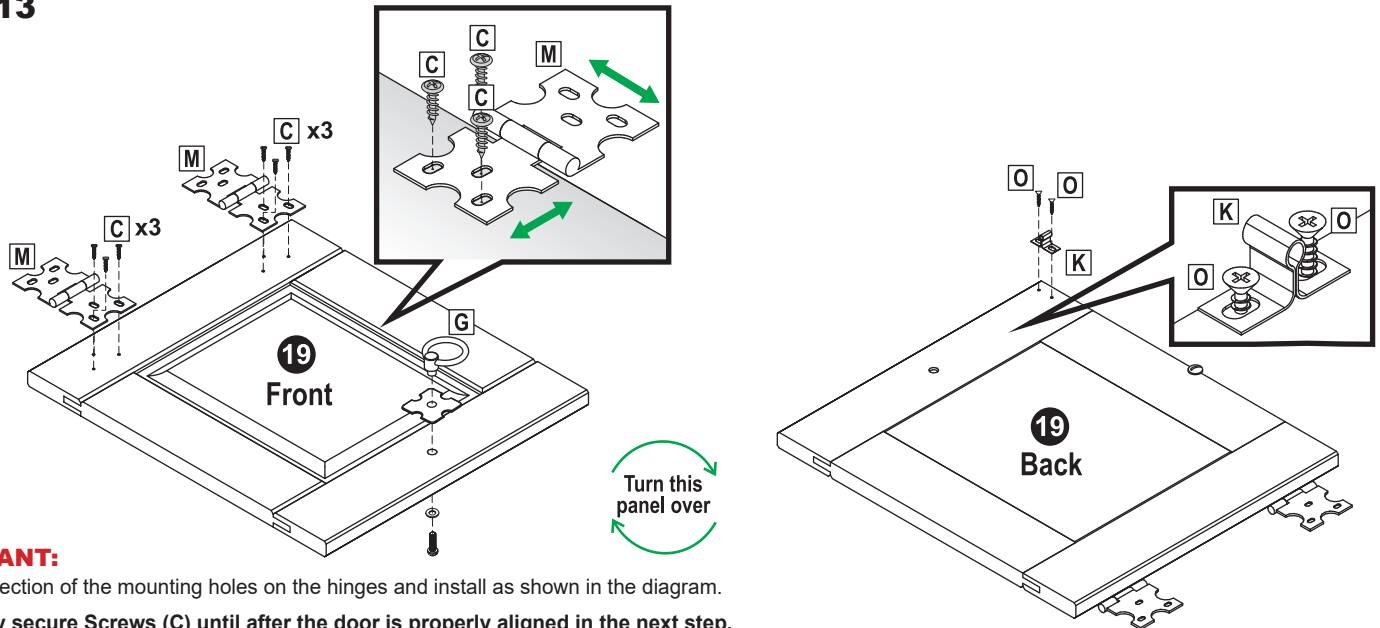
Align two Hinges (M) with the indents on the front of Left Door (18) and mostly fasten using six M3.5x14mm Pan Screws (C).

Ensuring the handle plate and ring remain straight, firmly secure Handle Set (G) to the door, as shown.

Turn the door over and secure Strike (K) using two M3x16mm Flat Screws (O).

STEP 13

- 19: 1
- C: 6
- G: 1
- K: 1
- M: 2
- O: 2



IMPORTANT:

Note the direction of the mounting holes on the hinges and install as shown in the diagram.
 Do not fully secure Screws (C) until after the door is properly aligned in the next step.

Align two Hinges (M) with the indents on the front of Right Door (19) and mostly fasten using six M3.5x14mm Pan Screws (C).

Ensuring the handle plate and ring remain straight, firmly secure Handle Set (G) to the door, as shown.

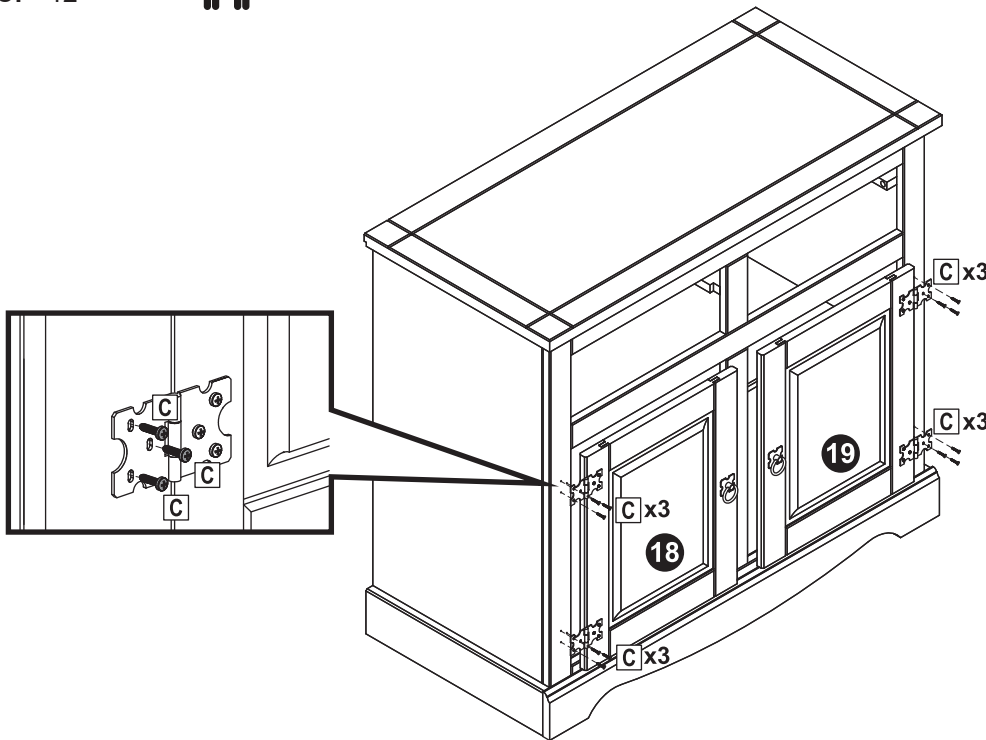
Turn the door over and secure Strike (K) using two M3x16mm Flat Screws (O).

STEP 14

- C: 12

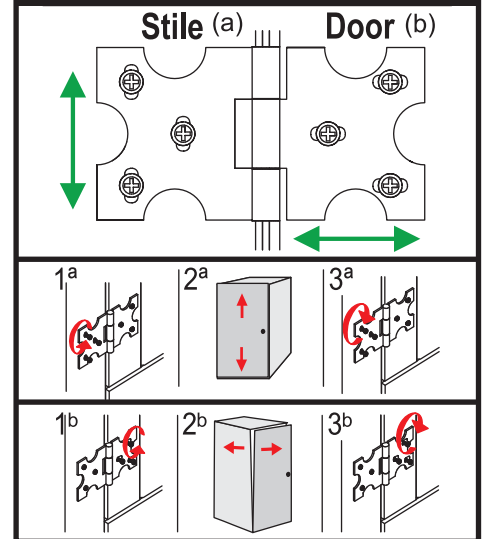


Assistance is recommended for this step.



IMPORTANT: Ensure the doors are properly aligned before fully securing any screws.

ADJUSTING HINGE



With assistance to hold the door in place, align the top hinge of the left door with the indents on the left stile. Loosely secure each hinge using three M3.5x14mm Pan Screws (K).

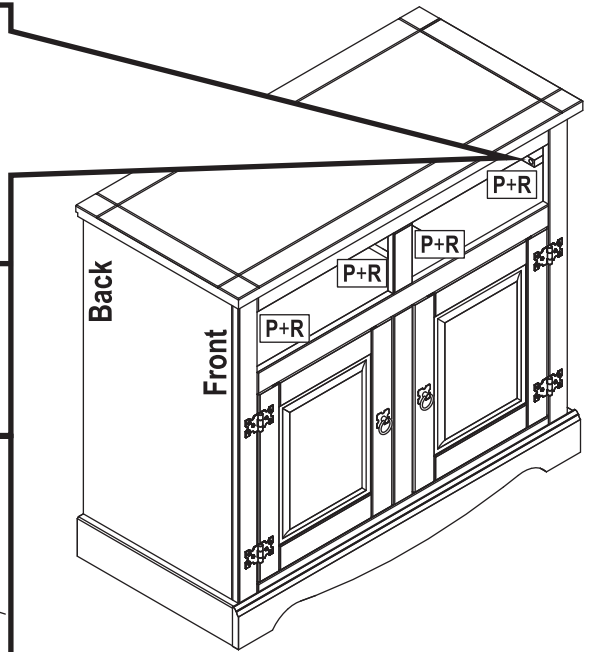
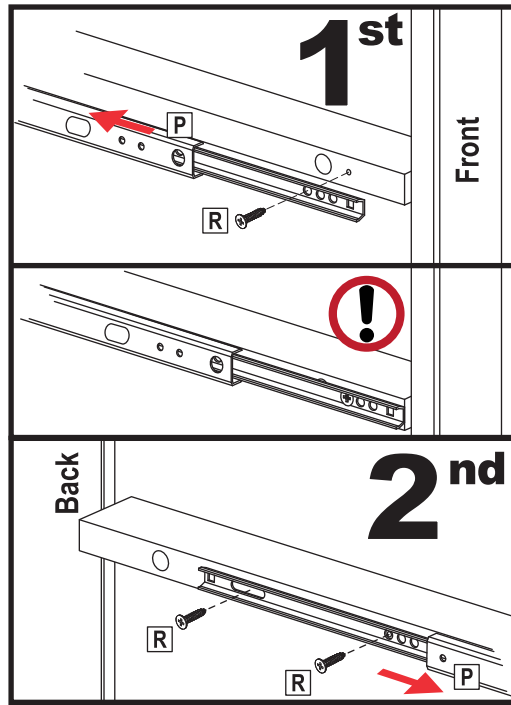
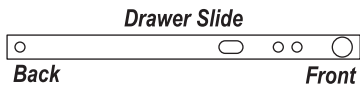
Repeat this step to attach the right door to the right stile.

After ensuring the doors are properly aligned, finish tightening all screws.

STEP 15

P: 4

R: 12



IMPORTANT:

Ensure the drawer slide remains centered on the drawer rail; if the slides are not centered, the drawer will be crooked.

Push the front of Drawer Slide (P) backward. Align the 3rd round hole on the front of the drawer slide with the front indent on the drawer rail and secure using one M4x14mm Flat Screw (R).

Slide the top piece of the drawer slide forward, the backside indent will align with the 1st small round hole on the back of the slide. Ensuring the slide is centered on the drawer rail, secure the 1st small round hole, then secure the oblong hole using two M4x14mm Flat Screws (R), as shown.

Repeat this process to secure the remaining three drawer slides.

STEP 16

10: 4

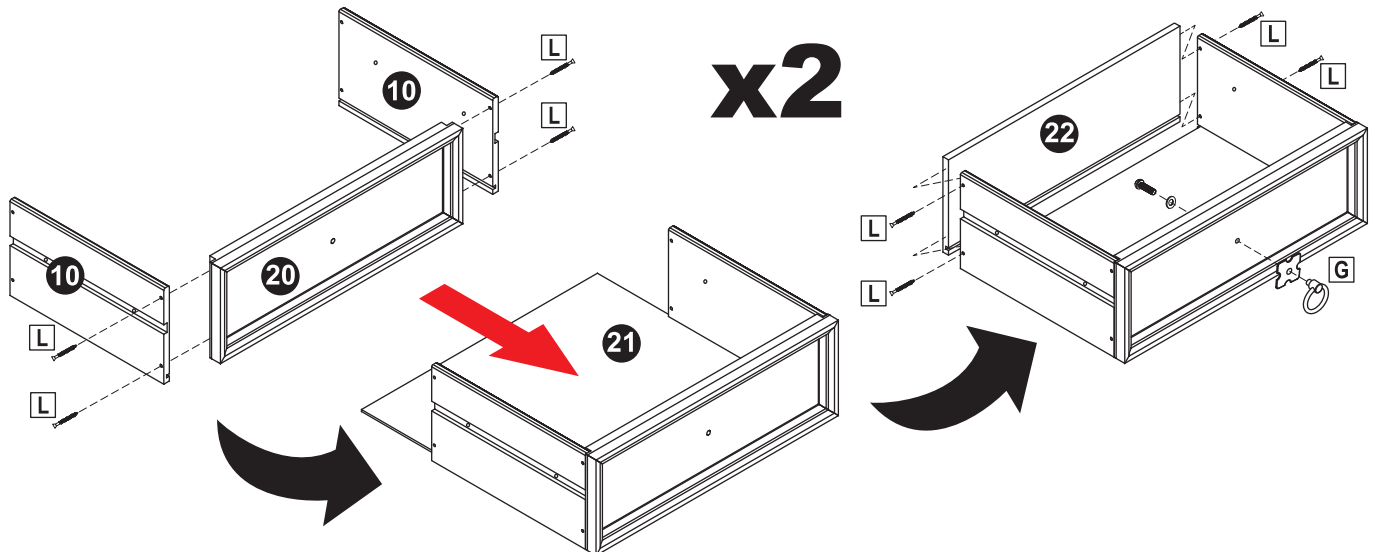
20: 2

21: 2

22: 2

G: 2

L: 16



Ensuring the inside grooves align, secure two Drawer Sides (10) to Drawer Face (20) using four M3.5x30mm Flat Screws (L).

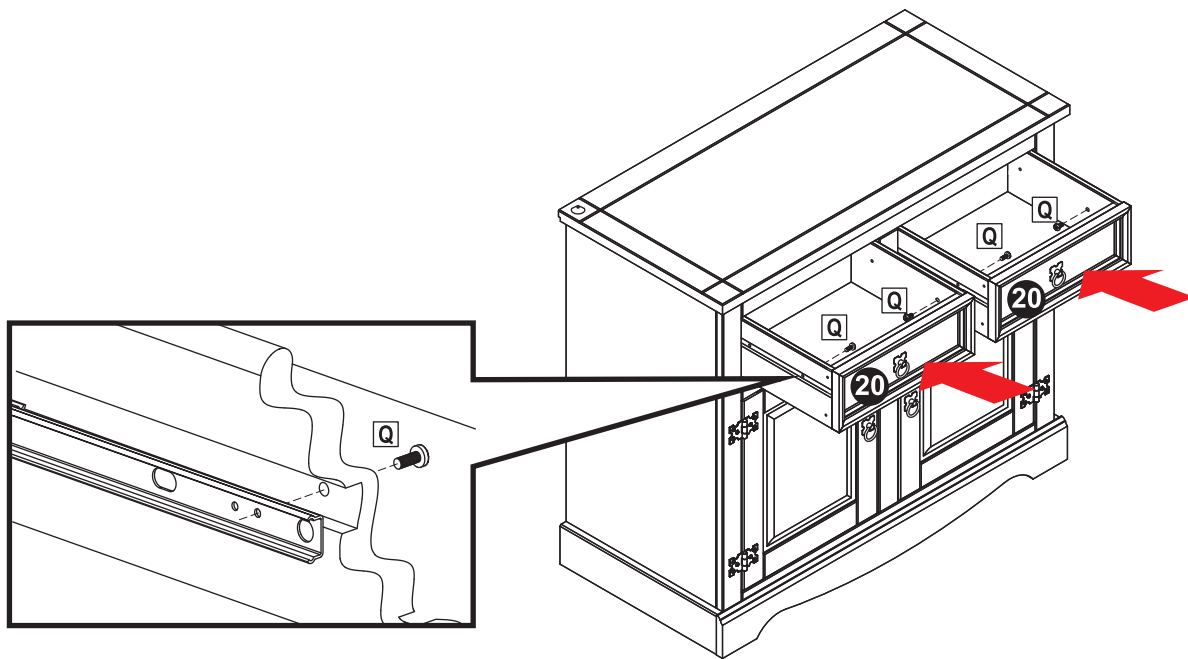
Slide Drawer Bottom (21) into the grooves, as shown.

Secure Drawer Back (22) to the drawer sides using four M3.5x30mm Flat Screws (L).

Ensuring the handle and handle plate remain straight, install one Handle Set (G), as shown.

STEP 17

Q: 4



Extend the drawer slides out the front of the cabinet.

Align the first small hole on the drawer slides with the pre-drilled hole on the front of the drawer sides.

From the inside of the drawer, secure the drawer to the slide using one M4x8mm Bolt (Q) on each side, as shown.

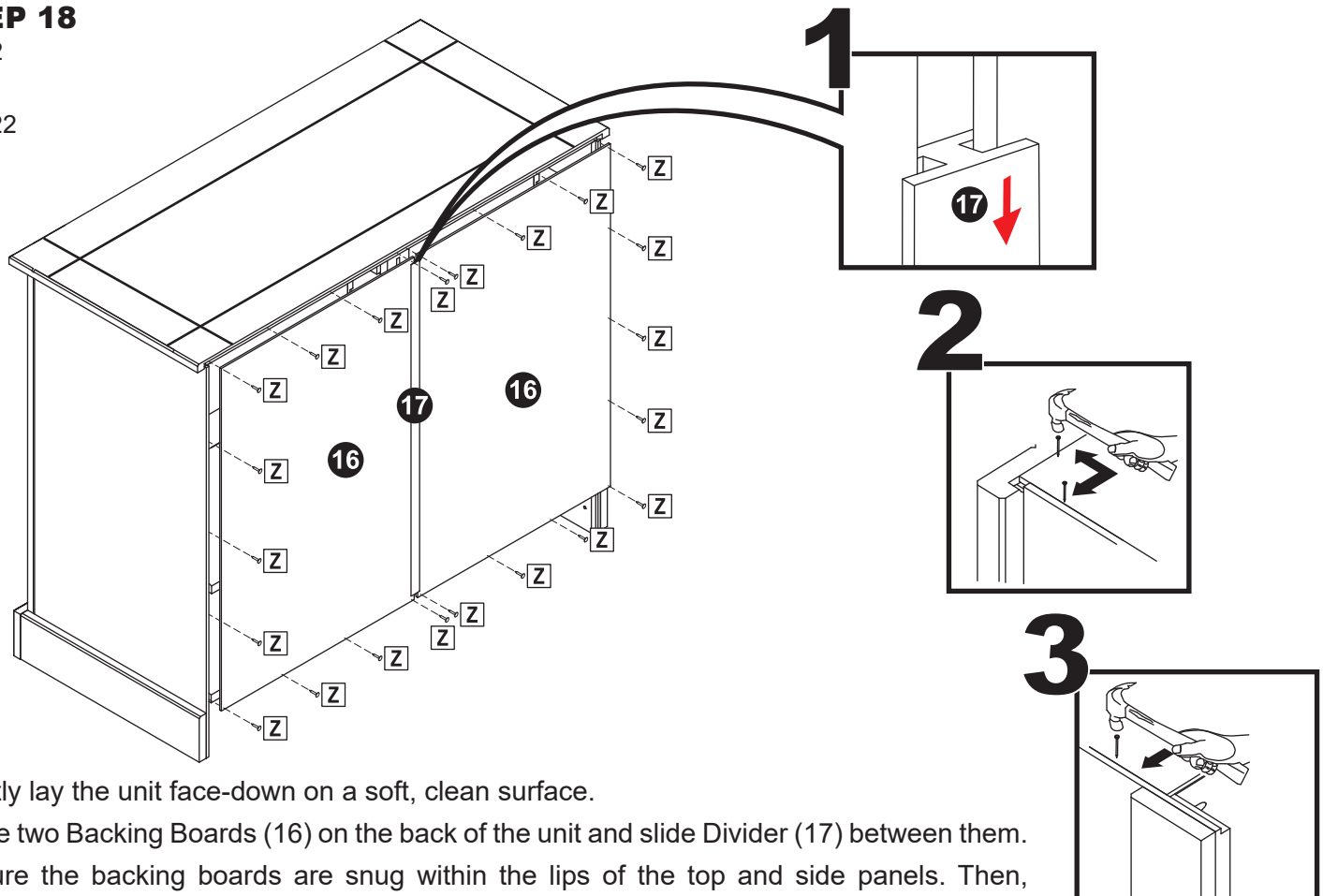
NOTE: The drawer sides have a second pre-drilled hole toward the back of the drawer, this hole is a result of the manufacturing process and is not intended for securing the drawer to the slide.

STEP 18

16: 2

17: 1

Z: 22



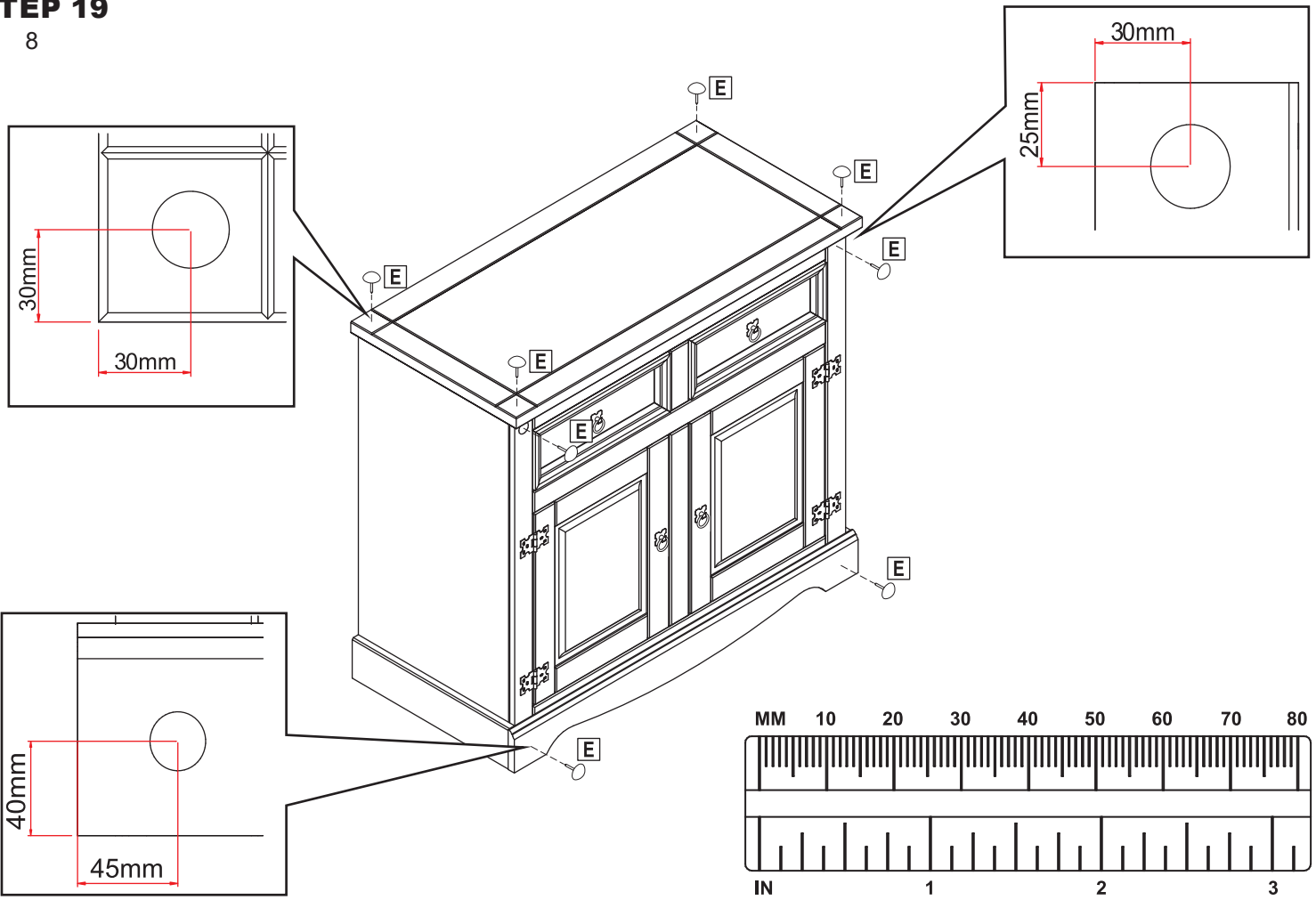
Gently lay the unit face-down on a soft, clean surface.

Place two Backing Boards (16) on the back of the unit and side Divider (17) between them.

Ensure the backing boards are snug within the lips of the top and side panels. Then, secure the backing board using twenty two 8x8mm Nails (Z).

STEP 19

E: 8



For even spacing, carefully measure and install eight Tacks (E) as indicated above.

●●●● **HELPFUL MEASURING HACK** ●●●●

To help ensure tacks are evenly spaced, we developed a hack to make this step easier. Grab a blank white piece of paper or tracing paper, a writing utensil, a ruler and scissors.

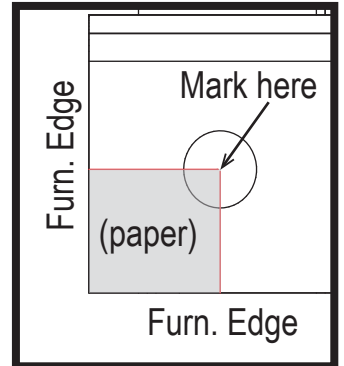
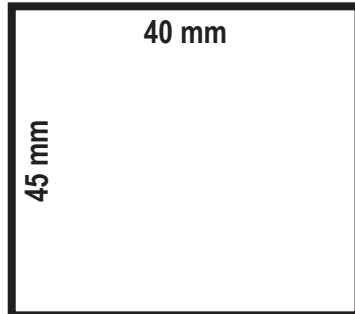
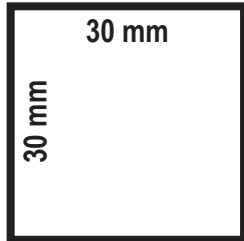
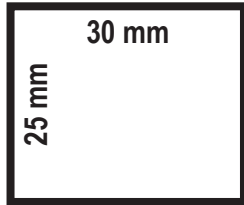
The blocks below are sized to the dimensions noted in the above diagrams.

Place the blank piece of paper over the blocks below. Use a writing utensil to mark the corner of each block. Use a ruler to connect the dots of each block. Write the size inside the block and cut them out.

Align the cutout with the designated corner (shown above).

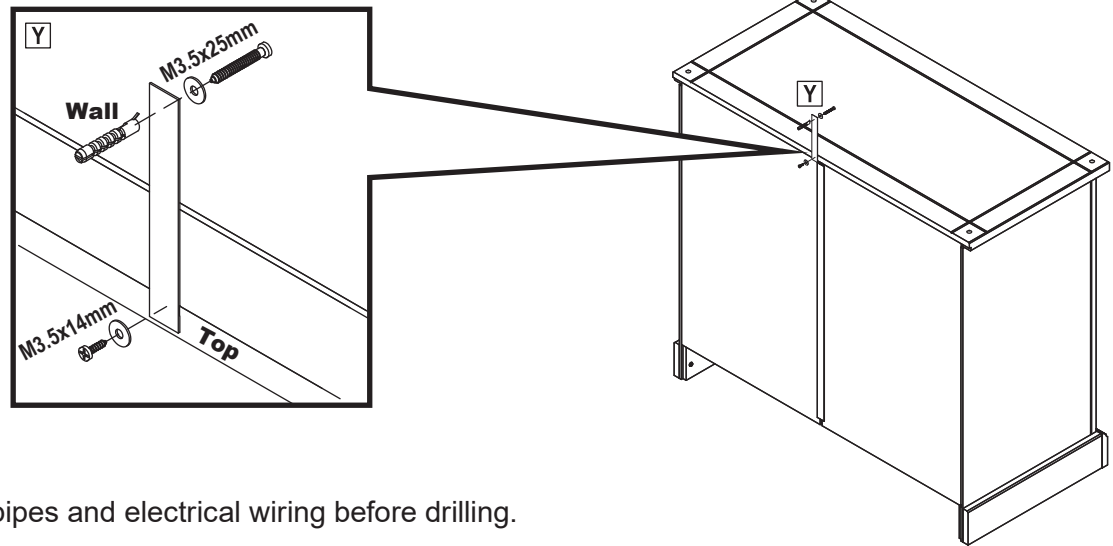
Use the sharp end of one of the tacks to make a small indent at inside corner of cutout.

After tack placement has been marked, install tacks using a rubber mallet.



STEP 20

Y: 1



WARNING: Check for pipes and electrical wiring before drilling.

IMPORTANT: If walls are not solid like brick, stone or concrete, you will require special fittings (not included). When in doubt, consult a professional.

Carefully measure the location of pilot hole before drilling and installing the unit.

- Place wall mounting strap against the wall and mark the position for drilling the hole.
- Using a power drill with a 6mm bit, drill a hole to 30mm depth. If the wall is softer, using a 5mm bit is recommended.
- Insert the wall anchor into the hole until the opening is flush with the wall.
- Secure the strap to the wall using the 25mm screw and washer.
- Use a 2mm drill bit to drill a small pilot hole on the back of the furniture top. Secure the other end of the strap to the furniture using the 14mm screw and washer.

! SAFETY STATEMENTS & WARNINGS !

- Residential use only. Not for commercial or industrial use.
- For indoor use only.
- Ensure fittings are tight before use. Periodically check fitting to ensure they are tight.
- Only use this unit on a flat, level surface.
- Do not sit, stand or climb on the unit.
- Supervise children; never allow children to climb or sit on this unit as it may tip over and cause serious injury.
- Do not place liquids or hot items directly on the furniture.
- Never use chemical cleaning products or polishes as they may damage the finish.
- Do not exceed the weight capacity of the furniture.
- Do not overload the drawers as doing so may cause damage.
- Do not place the unit in direct sunlight.
- Avoid placing unit near heating or cooling vents as forced air is very drying and can damage the unit.
- Do not write on furniture without a padded barrier to protect the surface.

Any modification to the product or failure to follow recommended care will void the product warranty.

If you experience issues with assembly or the product was damaged during shipping, please contact our customer service team directly through one of the methods mentioned at the top of page 1.

Please have the item number and order information ready to expedite response time.

! NOTICE:

Manufacturer and seller expressly disclaim any and all liability from personal injury, property damage or loss, whether direct or indirect, or incidental, resulting from the incorrect attachment, improper use, inadequate maintenance, or neglect of this product.