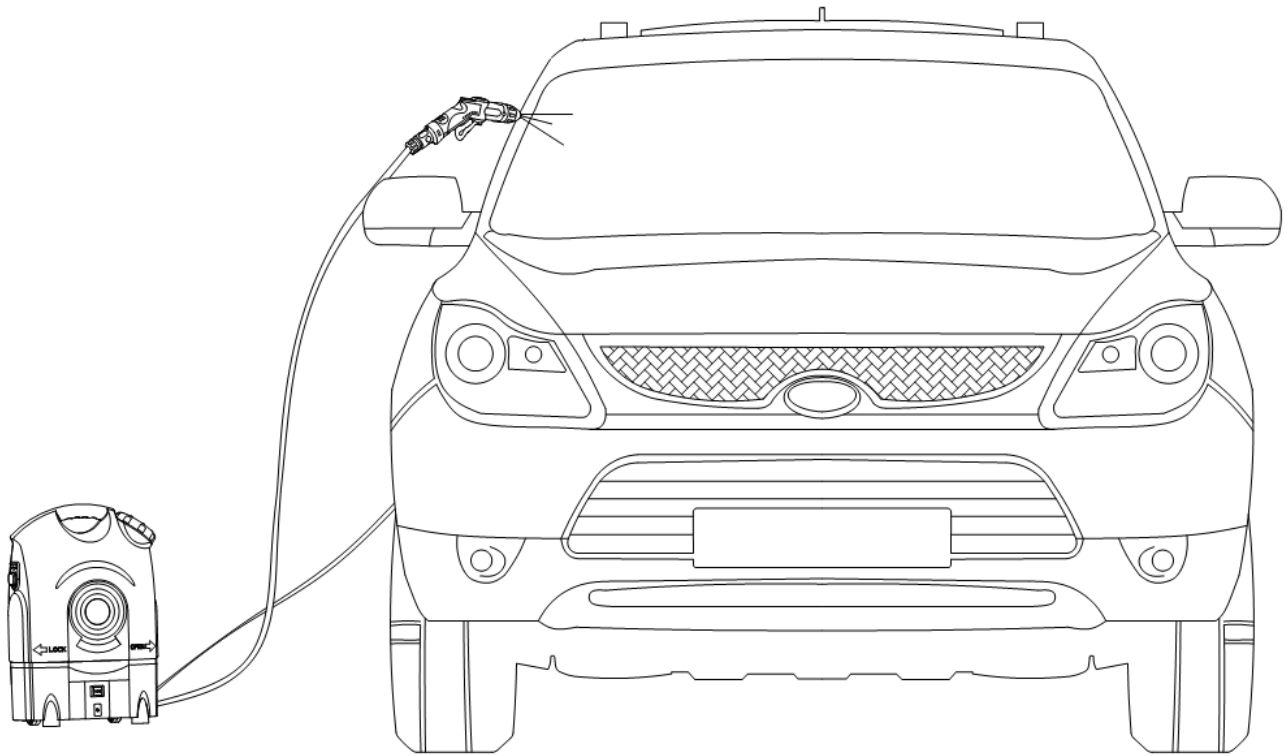


IVATION™

PORTABLE SMART WASHER

User Guide



Introduction

Thank you for purchasing our Portable Smart Washer, and welcome to the Ivation™ family. This user manual is meant to offer you a brief walkthrough of the device's features and usage protocols. We hope you find this manual helpful. For additional information and technical support, please feel encouraged to contact our help team at info@myivation.com.



IVATION **HOME**

Intended Usage

This smart pressure washer is a complete and independent cleaning solution in one small, portable unit that can be powered by a wall plug, car plug, or its built-in rechargeable battery. It enables you to perform onsite vehicle cleaning, household cleaning and so much more without the need for an additional hose, a water line, or even a power outlet.

Safety Information

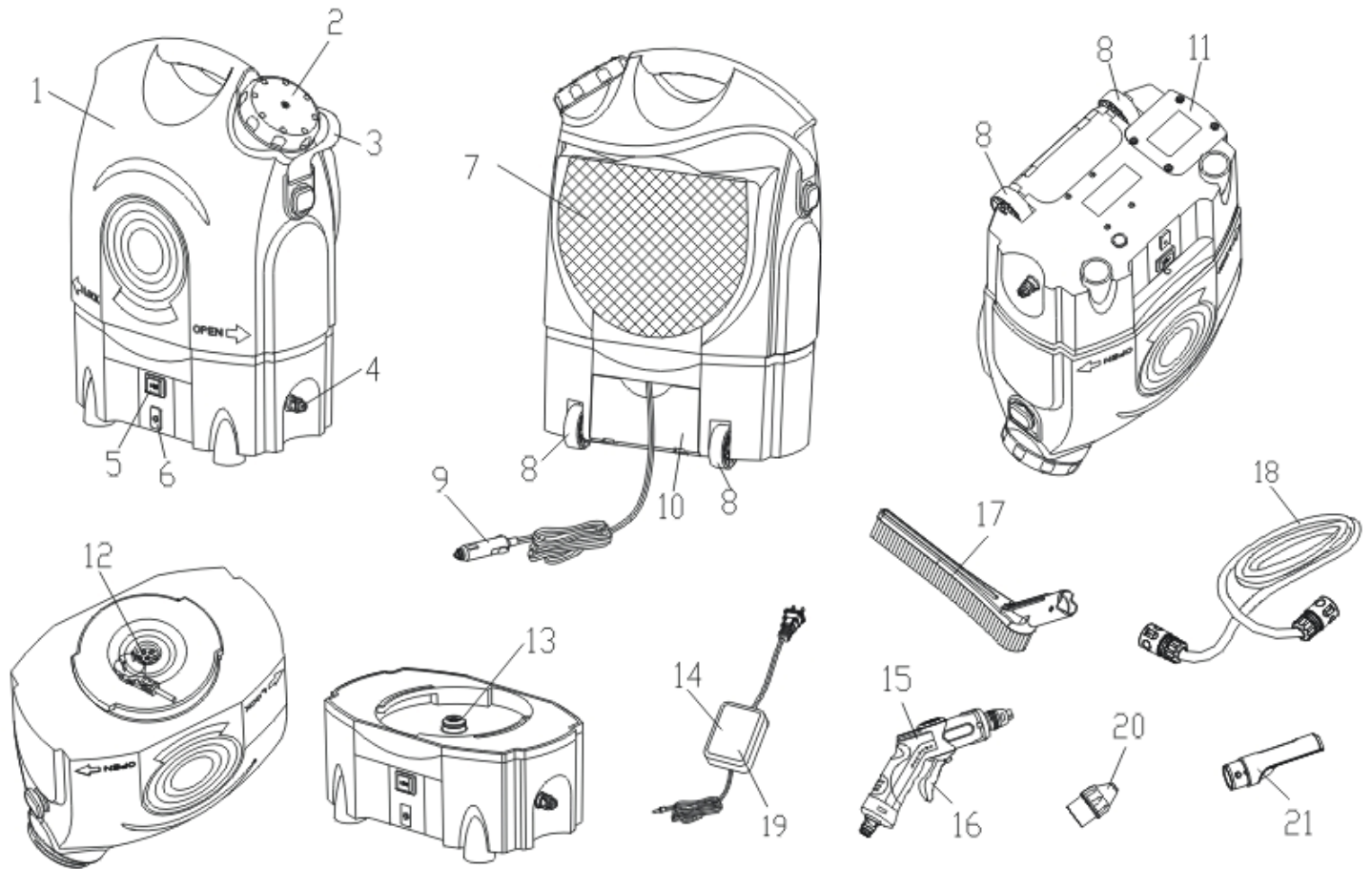
The information contained in this section is provided for your own safety and the safety of others. Please be sure to read this manual carefully and use the appliance in accordance with these instructions. Keep the manual in a safe place for future reference.

- Small parts. May present choking hazard.
- Do not use any liquid other than clean water.
- Use water of temperature between 50°F and 104°F only.
- Do not leave appliance plugged in when not in use.
- This is not a toy. Exercise extra care when using near children.
- Do not spray water directly at eyes or mouth.
- Do not direct water jet at unit itself or other electrical equipment.
- Use only manufacturer's recommended accessories and parts.
- Always use plug/amp fuse recommended for this appliance.
- Do not use with damaged cord or plug.
- Do not use if damaged or dropped into water.
- Keep cord away from heated surfaces, and do not pull or carry by cord.
- Keep nozzle free of obstructing objects. Do not use with clogged nozzle.
- Keep hair, loose clothing and all parts of body away from moving machine parts.
- Do not use appliance without a water filter in place.
- Turn off all controls before unplugging.
- To avoid damage and injury, use proper voltage only.
- Do not alter nozzle head's original diameter.
- Discharge residual pressure before disconnecting hose.
- Check for broken or worn parts before each use.
- Never submerge appliance in water.
- Do not allow unit to freeze. Always empty tank and store unit indoors.
- Do not remove cover plate or attempt to disassemble appliance.
- Replace damaged hose immediately. Otherwise, hose may burst and potentially cause serious injury.

Box Contents

1 x Water Tank	1 x Brush Head
1 x Pressure Hose	1 x Shower Head
1 x Spray Gun	1 x Adjustable Shoulder Strap
1 x Power Cord	4 x Sealing Ring
1 x Charger	1 x User Manual

Parts & Controls

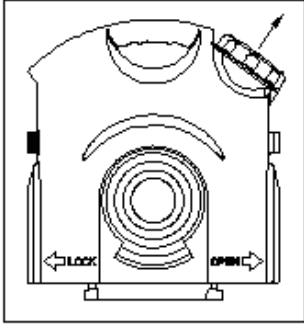


1. Water tank
2. Tank Cover
3. Adjustable Shoulder Strap
4. Hose Inlet
5. Power Switch
6. Charging Inlet
7. Mesh Storage Compartment
8. Integrated Wheels
9. Power Cord
10. Cord Cover
11. Battery Cover

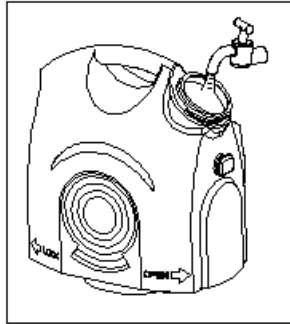
12. Water Outlet
13. Water Inlet
14. Wall Charger
15. Spray Gun
16. Trigger Lock
17. Brush Head
18. Hose
19. Charging Indicator
20. Adjustable Nozzle Head
21. Shower Head

Operation

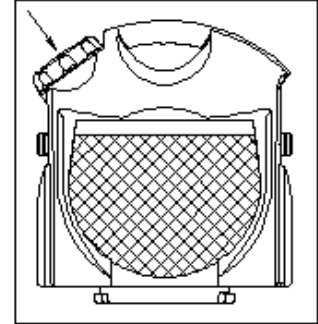
Parts Assembly:



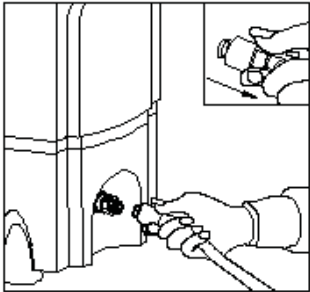
1. Turn Tank Cover (2) counterclockwise to remove.



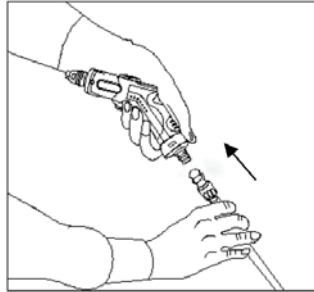
2. Fill tank with clean water 50°F to 104°F



3. Replace Tank Cover (2) by turning clockwise.



4. Connect Hose (18) to Hose Inlet (4).



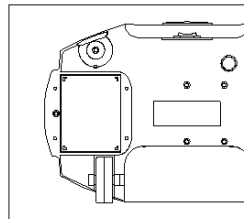
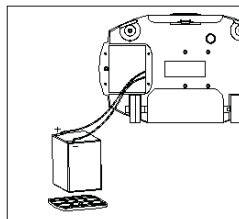
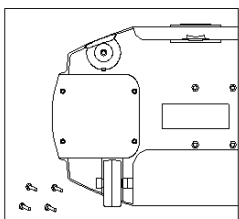
5. Connect Spray Gun (15) to Hose (18).

Attaching Brush/Shower Head:

1. Locate salient points on desired attachment.
2. Align points to corresponding holes on Spray Gun (15).
3. Press firmly to attach the two parts.

Replacing Internal Battery:

1. Locate screws on Battery Cover (11).
2. Using correct screwdriver, remove all screws.
3. Detach and remove old battery.
4. Connect new battery's red clamp to red wire and black clamp to black wire.
5. Replace Battery Cover (11) and reinsert screws.



Power & Charging:

The Ivation™ Portable Smart Washer can be powered in one of two ways:

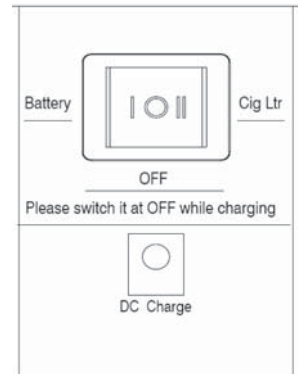
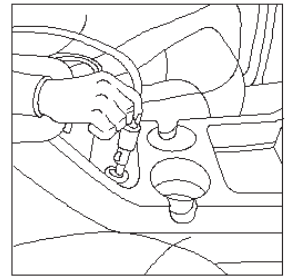
- By connecting the Power Cord (9) to your vehicle's power port and toggling the Power Switch (5) to the "II" position.
- By toggling the Power Switch (5) to the "I" position and thus drawing power from the internal rechargeable battery.

Note: Some vehicles require that ignition be in accessory position.

Important: Disconnect Power Cord (9) whenever vehicle engine is turned off for extended period of time, as some vehicles continue charging connected devices even when the engine is off. The vehicle's battery charge may be depleted if left connected.

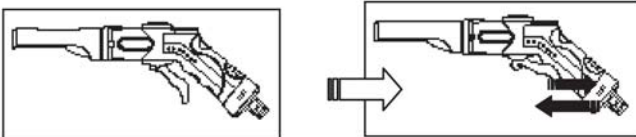
Given the advanced power circuits within the Smart Washer, the built-in battery can only be charged by way of the included Wall Charger (14):

- Toggle Power Switch (5) to "O" position.
- Connect Wall Charger (14) to Charging Inlet (6).
- Charging Indicator (19) will light up red while battery is charging, and change to green when it reaches full charge.
- On a full charge, the internal battery can run for 35 continuous minutes.

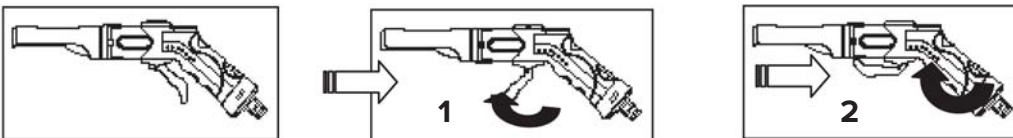


Controlling the Water Flow:

- Pulling the Spray Gun (15) trigger starts the water flow, and releasing the trigger stops the flow.



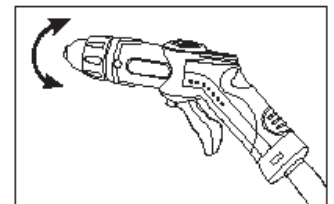
- For a continuous flow, pull trigger forward into position 1 or position 2.



- To adjust the flow output, turn the Adjustable Nozzle Head (20) clockwise and counterclockwise until desired output level is reached.

About the Auto-Off Feature:

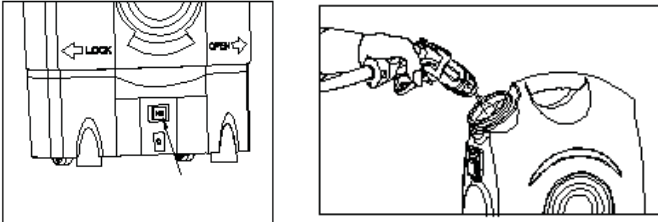
When the trigger is released, the dynamic pressure automatically shuts off the washer's motor. When the trigger is then pressed again, the pressure drop automatically activates the motor, and new pressure begins building up. To ensure that this automatic shutoff feature functions correctly, please wait 5-10 seconds to engage trigger after releasing it.



Air Purging:

With normal use, air can get trapped in the washer's hose. We recommend the following steps to purge the air out of the system and achieve maximum washing pressure:

1. Turn Tank Cover (2) counterclockwise to remove.
2. Power up your Smart Washer.
3. Point the Spray Gun (15) into the water tank and squeeze the lever until the water stream steadies.
4. Replace Tank Cover (2) clockwise by turning clockwise.



It is also advisable to repeat the above steps after each water tank refilling.

Shutoff & Storage:

1. Toggle the Power Switch (5) to the "O" position.
2. Disconnect that Spray Gun (15) from the Hose (18).
3. Pull Spray Gun (15) trigger to remove any remaining water.
4. Turn unit back on and run for approximately 30 seconds.
5. Toggle the Power Switch (5) to the "O" position.
6. Disconnect Hose (18) from unit and drain any remaining water.
7. Spill any remaining water from Water Tank (1).
8. Place all loose parts in Mesh Storage Compartment (7).
9. Store your Portable Smart Washer indoors above 32°F.

Storing in Freezing Conditions:

If unit must be stored in temperatures below 32°F, you can prevent freezing and reduce mineral deposits by using a pump winterizer/protector or a non-toxic RV anti-freeze.

Warning: Use only RV anti-freeze. All other anti-freeze products are corrosive and can damage pump.

1. Pour approximately 3 liters (1/2 gallon) of RV anti-freeze into Water Tank (1).
2. Connect Hose (18), Spray Gun (15) and Power Cord (9).
3. Turn Tank Cover (2) counterclockwise to remove.
4. Point Spray Gun (15) into tank and squeeze trigger for approximately 30 seconds or until anti-freeze stream steadies.
5. Toggle the Power Switch (5) to the "O" position.
6. Pull trigger to release pressure.
7. Disconnect Hose (18), Spray Gun (15) and Power Cord (9).
6. Place all loose parts in Mesh Storage Compartment (7).

Using After Storing with Anti-Freeze:

1. Turn Tank Cover (2) counterclockwise to remove.
2. Spill anti-freeze from Water Tank (1).
3. Replace Tank Cover (2) clockwise by turning clockwise.
4. Connect Hose (18), Spray Gun (15) and Power Cord (9).
5. Fill tank with clean water and run unit until tank is empty.
6. Fill with clean water once more, as use as usual.

Care & Maintenance

Unclogging Spray Gun:

Clogging causes excessive water pressure, which may cause the portable washer to surge. Follow these steps to restore your washer to proper function:

1. Toggle the Power Switch (5) to the "O" position and unplug the unit.
2. Pull the Spray Gun (15) trigger to release any water pressure.
3. Disconnect Spray Gun (15) from Hose (18).
4. Clean the Spray Gun (15) using a nozzle cleaning tool.
5. Use clean water or compressed air to flush any remaining dirt, etc.
6. Connect Spray Gun (15) to Hose (18) and test unit.
7. If water pressure is still too high, repeat steps 1 and 2.

Replacing Fuse:

In the event that your Portable Smart Washer has surged, replace the fuse by following these steps:

1. Unscrew end of Power Cord (9) adaptor.
2. Remove and discard old fuse.
3. Replace with new fuse.
4. Screw end of Power Cord (9) adaptor back on.

Caring for the Internal Battery:

- Charge battery fully before first use.
- To ensure maximum battery life, charge battery fully after each use.
- Even when not in use, it is recommended to charge the battery at least once every three months.
- To prevent electric shock, use an insulated glove when handling or maintaining.
- If battery shows defect, contact manufacturer or distributor. Do not disassemble.
- Do not use any organic solvents to clean battery.

Technical Specifications

Pressure (PSI):	43.5 to 130.5
Volts:	12V(DC)
Power:	60 Watts
Hose:	6 Meters
Power Cord:	3.0 Meters
Capability:	17 Liters
Gross Weight:	17 Pounds
Dimensions:	14" x 9" x 21"

Distributed by
C&A Marketing, Inc.
2 Bergen Turnpike
Ridgefield Park, NJ 07660
info@myivation.com
MADE IN CHINA
IVATION is a trademark of
C&A IP Holdings, LLC
©2014 All Rights Reserved