



PORTABLE OUTDOOR SINK USER GUIDE

HCCHH7701

Thank you for purchasing the Hike Crew™ Portable Outdoor Sink. This User Guide is intended to provide you with guidelines to ensure that operation of this product is safe and does not pose risk to the user. Any use that does not conform to the guidelines described in this User Guide may void the limited warranty.

Please read all directions before using the product and retain this guide for reference. This product is intended for household use only.

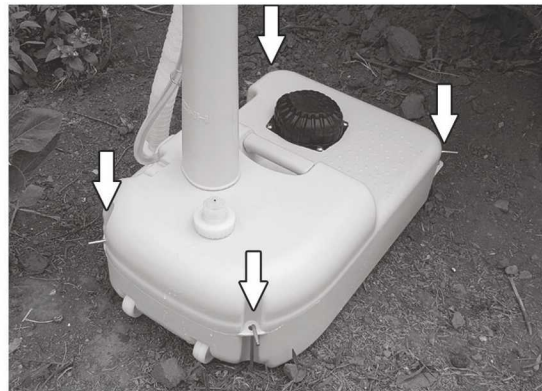
This product is covered by a limited one-year warranty. Coverage is subject to limits and exclusions. * See warranty for details.

Features

- Compact, lightweight design
- Easy assembly
- Built-in carrying handle and wheels
- 5-gallon (19L) water tank
- Hands-free foot pump operation
- Built-in large capacity liquid soap dispenser
- Built-in stainless steel towel holder
- Flexible drain hose
- Durable, high-density polyethylene construction for years of use

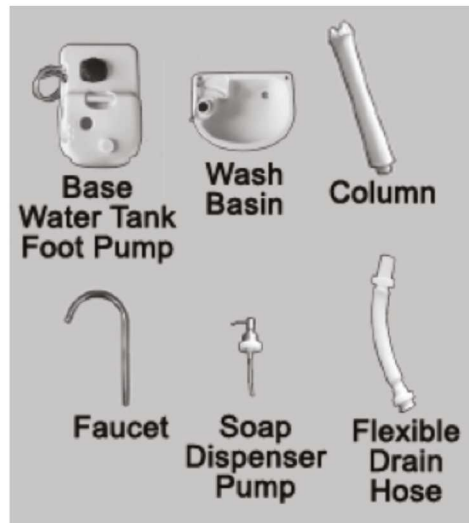


The wash basin is equipped with a built-in soap compartment with dispenser pump and a towel bar.



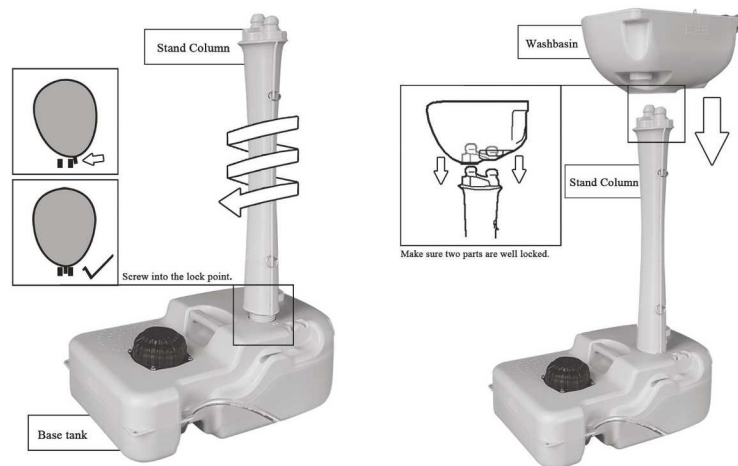
The base features anchor holes for using the ground stakes (not included).

Parts

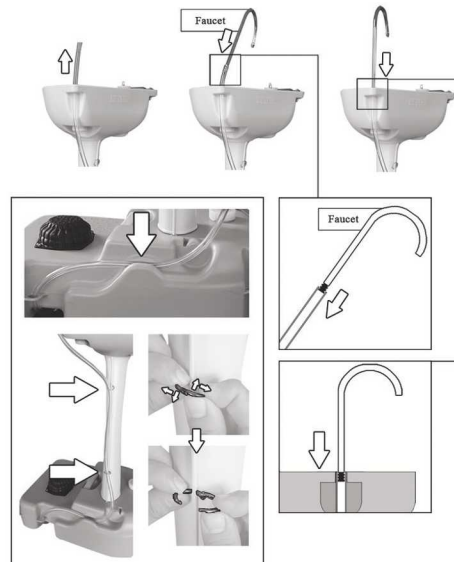


Assembly

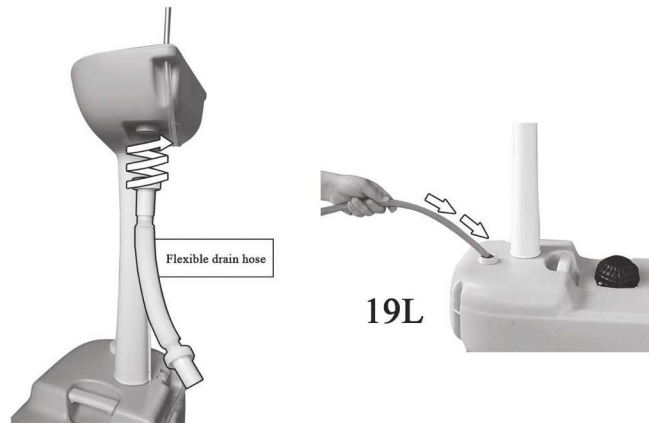
1. Place the base on a solid, level surface. Screw the column into the base.
2. Attach the wash basin to the column, making sure it locks into place.



3. Insert the faucet into the end of the transparent tube at the top of the wash basin. Push tube down into the basin. Attach lower portion of tube to the column with ties.



4. Screw the flexible drain hose onto the bottom of the basin.
5. Fill the base with fresh water.



6. Fill the soap compartment in the basin with liquid soap. Screw in the dispenser pump.
7. To activate water flow, step on the pump.



Specifications

Primary material: Durable, high-density polyethylene
 Power: Foot pump
 Water tank capacity: 5 gallons (19L)
 Water discharge per step: 6.8 oz. (180ml)
 Liquid soap dispenser capacity: 3.17 qts. (3L)
 Dimensions (assembled): 50" x 33" x 40" (19.7 x 13 x 102cm)
 Weight: 8.1 lbs. (3.7kg)

Customer Service Contact Information

Should you experience any problems with your product, please contact us before returning the item to the place of purchase. We're here to help!

CUSTOMER SERVICE:
 info@supportcbp.com
 1-833-665-2122

Distributed by:
 C&A Marketing Inc.
 114 Tived Lane East
 Edison, NJ 08837 USA

C&A Marketing UK LTD
 187 Hermitage Road
 Crusader Industrial Estate
 London N4 1LZ
 United Kingdom