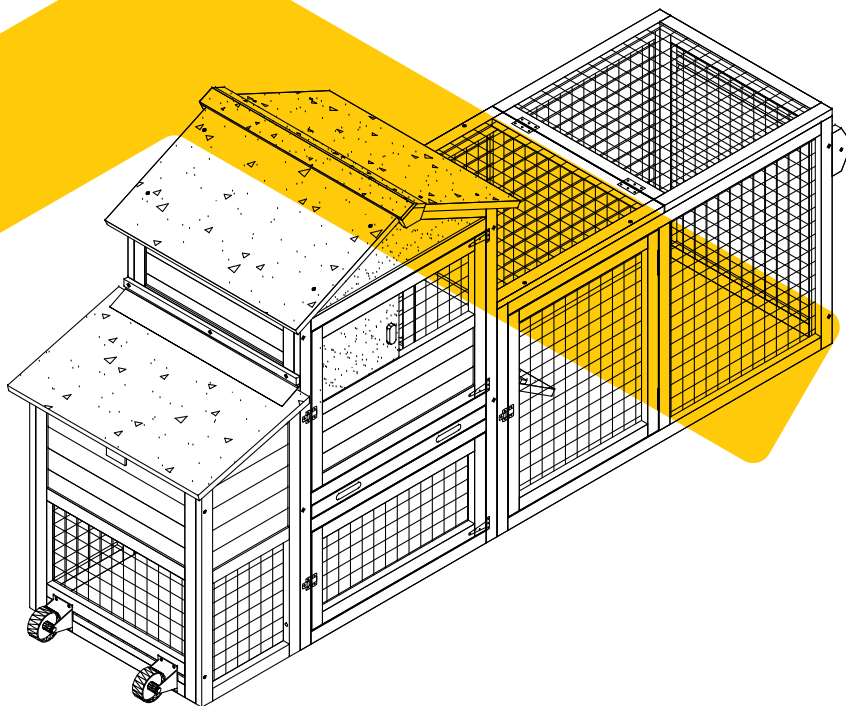


# INSTRUCTION MANUAL

AIR 72





## NOTICE

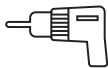
Please retain these instructions for future reference.

- Firmly secure all bolts,screws and knobs before use.
- Reconfirm that all bolts,screws,and knobs are secure every 90 days.
- Fasten screws loosely during initial assembly. Do not fully tighten screws until the item is completely assembled.
- Do not use or store this item in the proximity of open flame or flammable/combustible chemicals.
- Be aware that some parts are heavy and have sharp edges.
- Be aware that moving parts can injure,crush and cut.
- If any parts are missing,broken,damaged,or worn,stop using this product until repairs are made and/or factory replacement parts are installed.
- Do not use this item in a way inconsistent with the manufacturer's instructions as this could void the product warranty.

## TOOLS REQUIRED //



PHILLIPS  
SCREWDRIVER



DRILL  
(RECOMMENDED)



2PERSON  
ASSEMBLY



APPROXIMATELY  
45MIN. ASSEMBLY

## HARDWARE //

M6.0x30mm BOLT  
8PCS+1spare



P1

M3.5x35mm SCREW  
38PCS+1spare



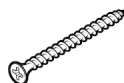
P2

M3.5x25mm SCREW  
7PCS+1spare



P3

M3.0x16mm SCREW  
16PCS+1spare



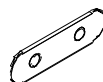
P4

M3.5x60mm SCREW  
10PCS+1spare



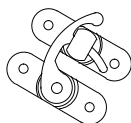
P5

Connect pieces  
2PCS



P6

Lock  
1PC



P7

M4.0x30mm BOLT  
2PCS

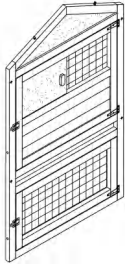


P8

(Only for 2 coops combination.  
not available for one coop owner)

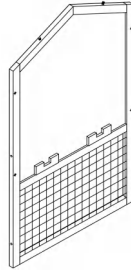
# PARTS

Front panel of coop  
1PC



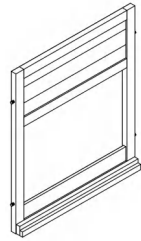
**A**

Back panel of coop  
1PC



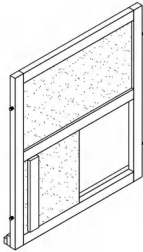
**B**

Left panel of coop  
1PC



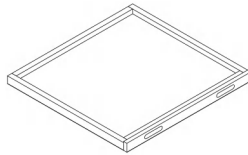
**C**

Right panel of coop  
1PC



**D**

Metal tray  
1PC



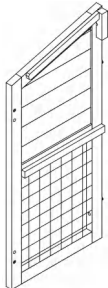
**E**

Perches  
2PCS



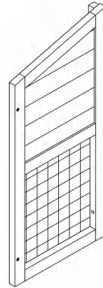
**F**

Left panel of nest box  
1PC



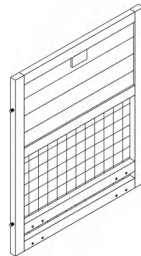
**G**

Right panel of nest box  
1PC



**H**

Front panel of nest box  
1PC



**I**

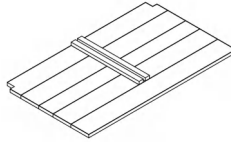
# PARTS

Casters  
2PCS



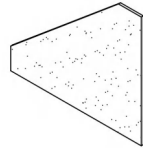
J

Bottom panel  
1PC



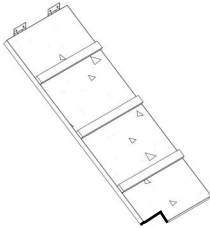
K

Divider of nest box  
1PC



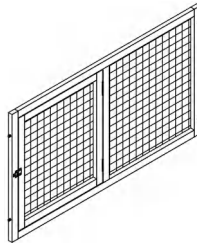
L

Ramp  
1PC



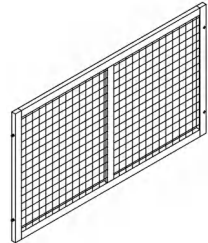
M

Front panel of pen  
1PC



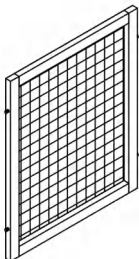
N

Back panel of pen  
1PC



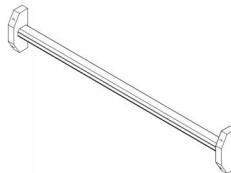
O

Side panel of pen  
1PC



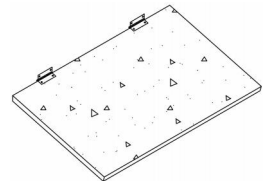
P

Push handle  
1PC



Q

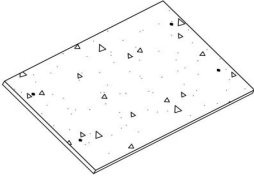
Roof of nest box  
1PC



R

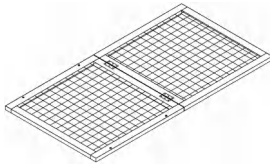
# PARTS //

Roofs of coop  
2PCS



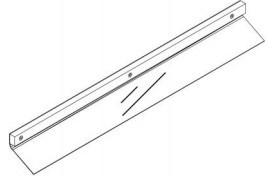
S

Roof of pen  
1PC



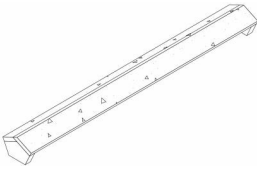
T

PVC Waterproof strip  
1PC



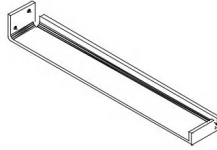
U

Roof cap  
1PC



V

Metal ramp support  
1PC

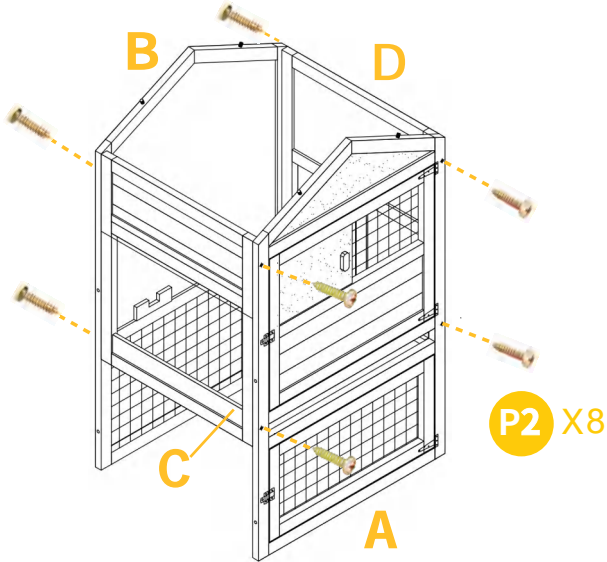


W

# PRODUCT ASSEMBLY //

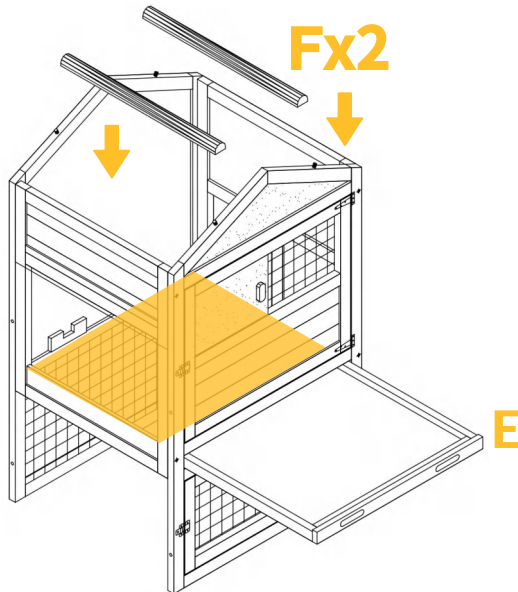
01

Attach the front Part A, the back Part B to the Part C & D by 8xP2. Notice to align with the dowels.



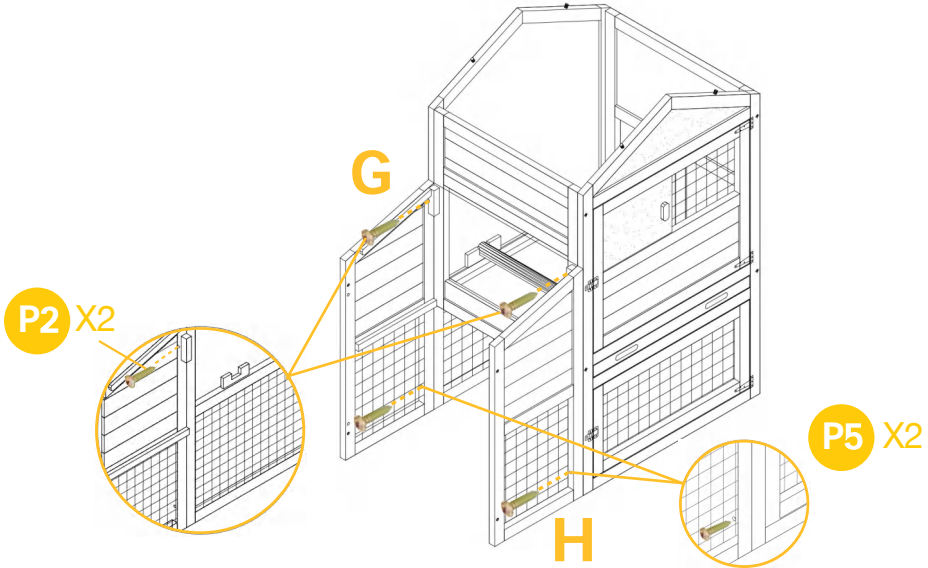
02

Insert perch Part F into slots inside Part A & B. Slide in metal tray Part E.

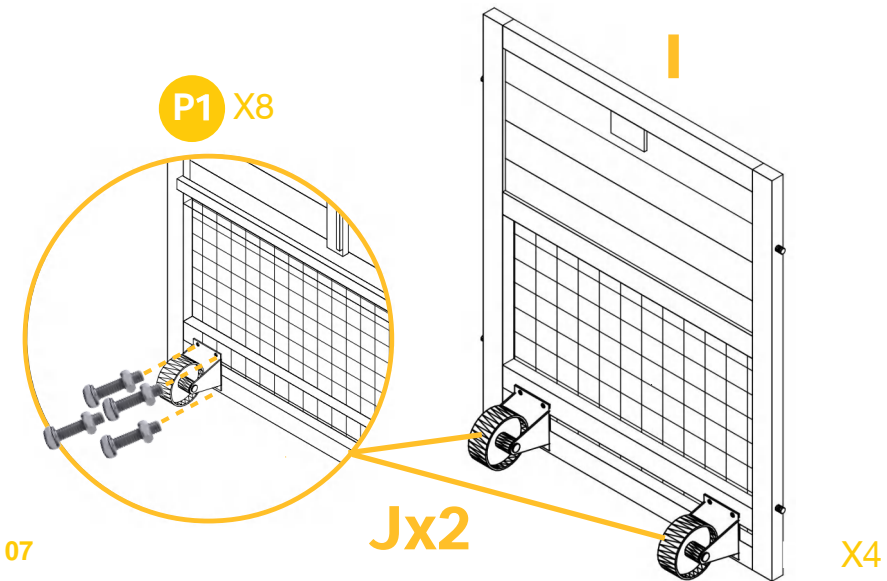


## PRODUCT ASSEMBLY //

- 03** Ensure that all pen-panels have stapled-wire facing inside.  
Attach Part H & G to coop by 2xP2&2xP5.



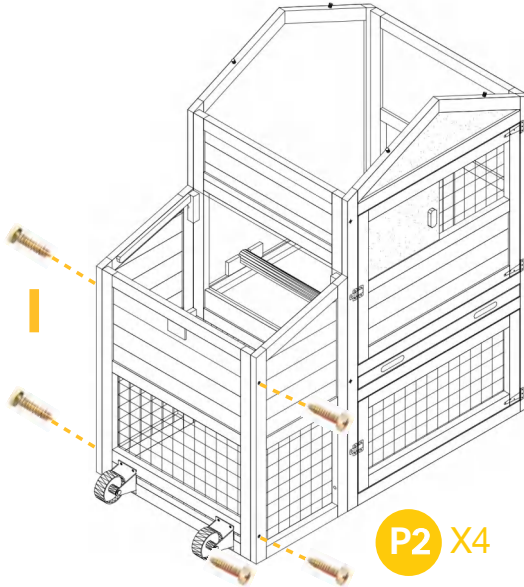
- 04** Attach the caster Part J to Part I by 4xP1 each.  
(If you buy 2 coops, you do not need to assemble casters)



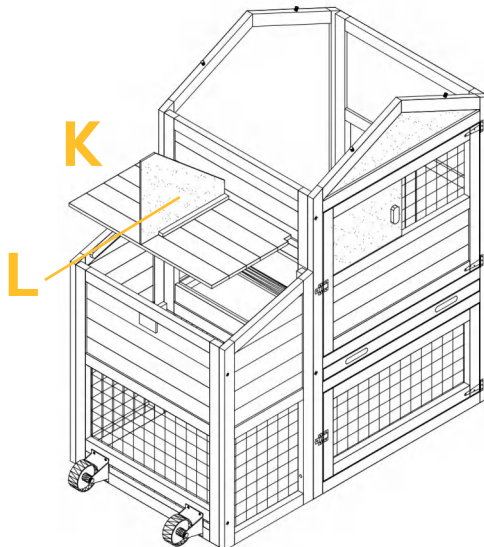


## PRODUCT ASSEMBLY //

**05** Attach Part I to Part G & H by 4xP2.

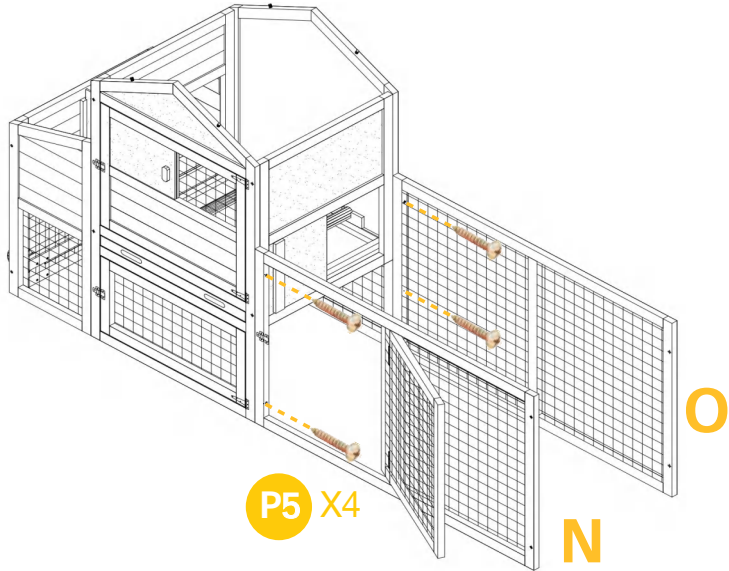


**06** Drop in nest box floor Part K.  
Slide in nest box divider Part L.

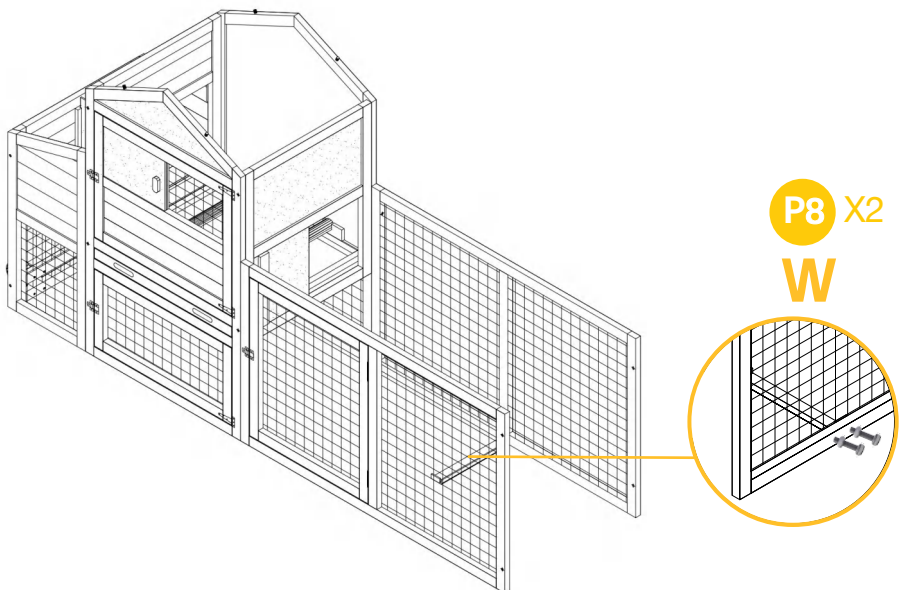


## PRODUCT ASSEMBLY //

**07** Attach Part N & O to coop by 4xP5.



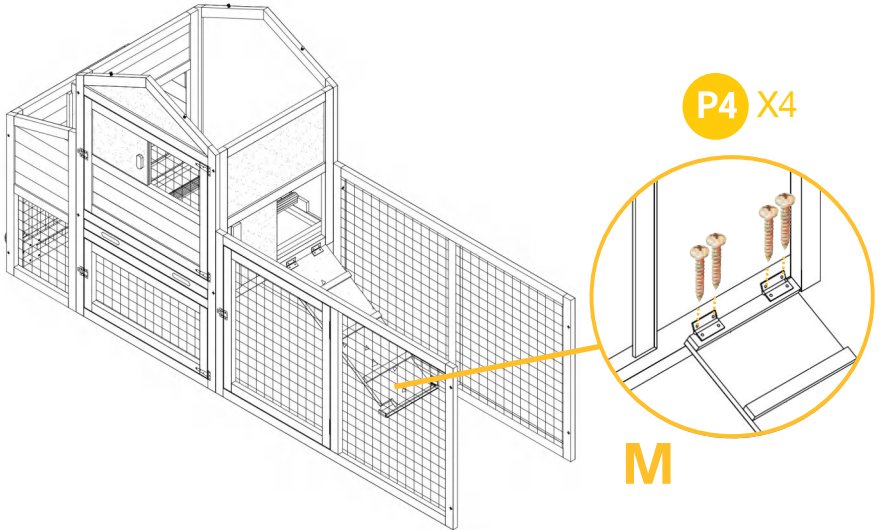
**08** Attach metal ramp support Part W to the back panel of pen by 2xP8.



# PRODUCT ASSEMBLY //

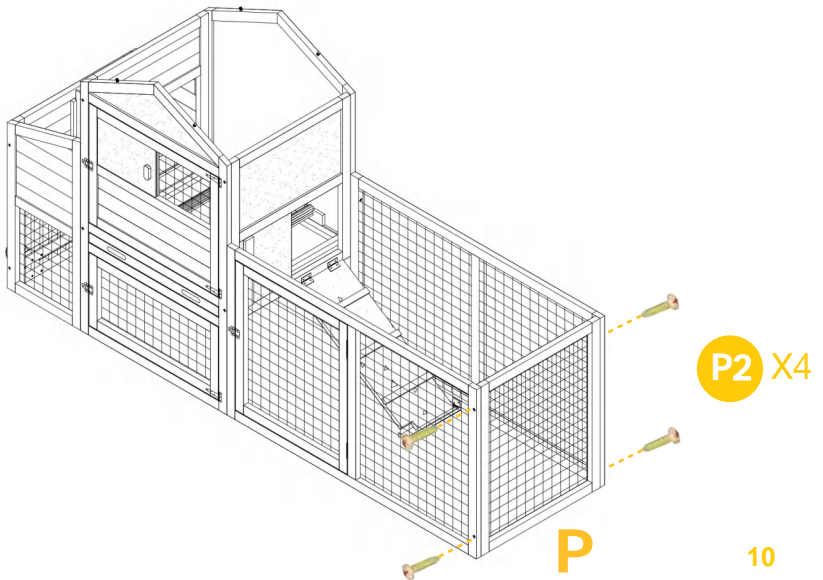
09

Screw ramp Part M to the bottom half of lower panel on Part D by 4xP4. And attach base of the ramp to metal ramp support. Notice not to block with the sliding door.



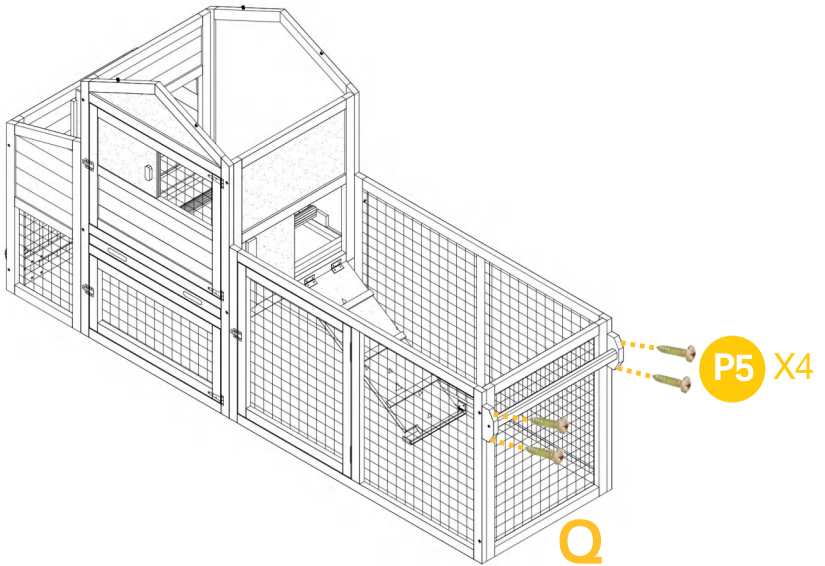
10

Attach Part P to the pen sides by 4xP2. Notice to align with the dowels.

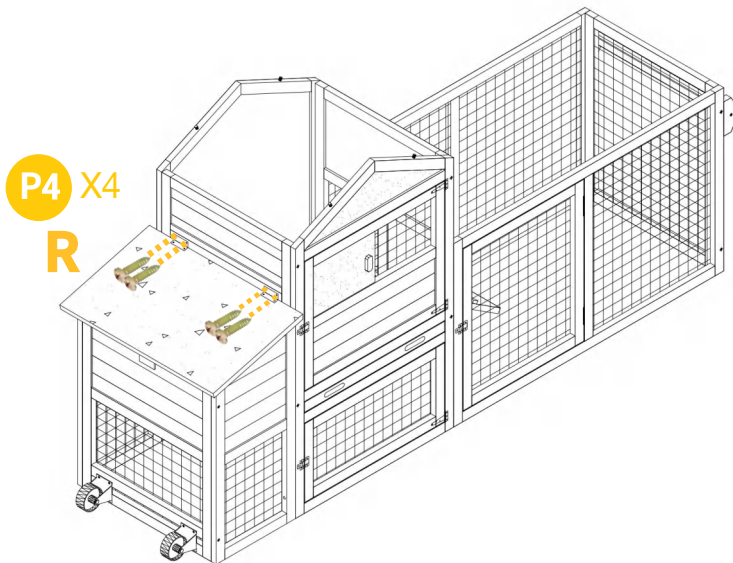


## PRODUCT ASSEMBLY //

- 11** Screw the push handle Part Q to the side pen by 4xP5.

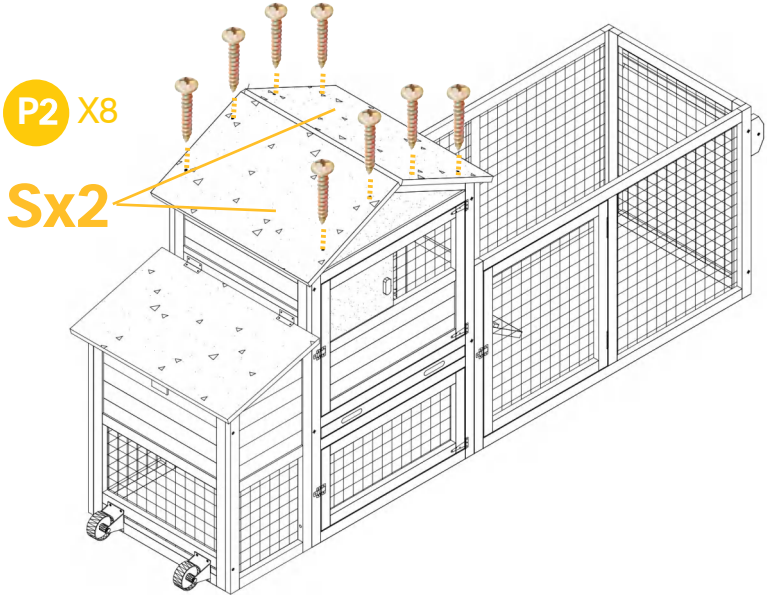


- 12** Attach roof of nesting box Part R to the coop by 4XP4.

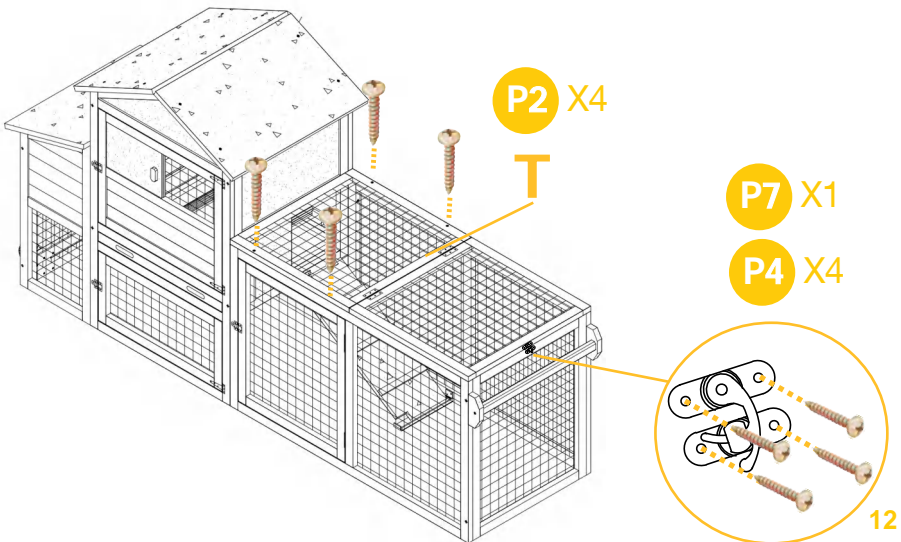


# PRODUCT ASSEMBLY //

**13** Screw roof panels Part S to the coop by 8xP2.

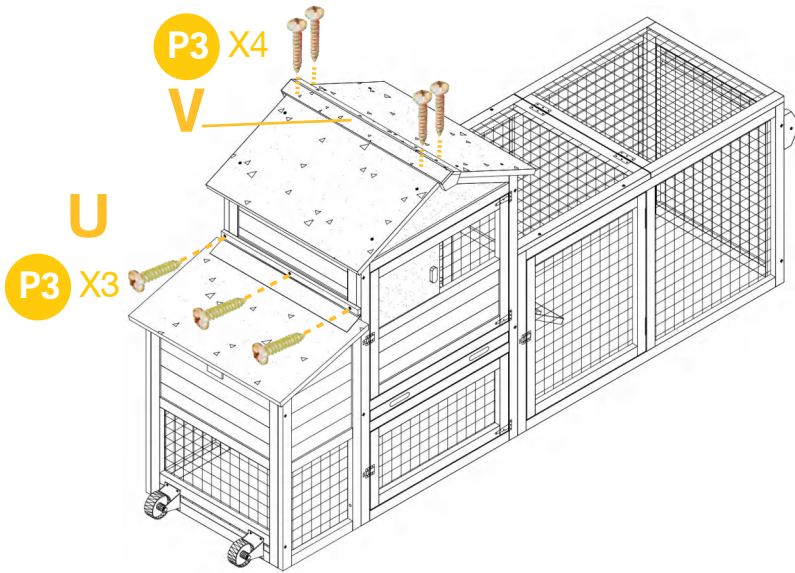


**14** Attach the roof Part T by 4xP2 to complete side pen. Attach the lock P7 to the pen by 4xP4.



## PRODUCT ASSEMBLY //

- 15** Ensure top roof panels line up with each other before screwing Part V by 4xP3.  
Attach PVC Waterproof Strip Part U to the nesting box by 3XP3.

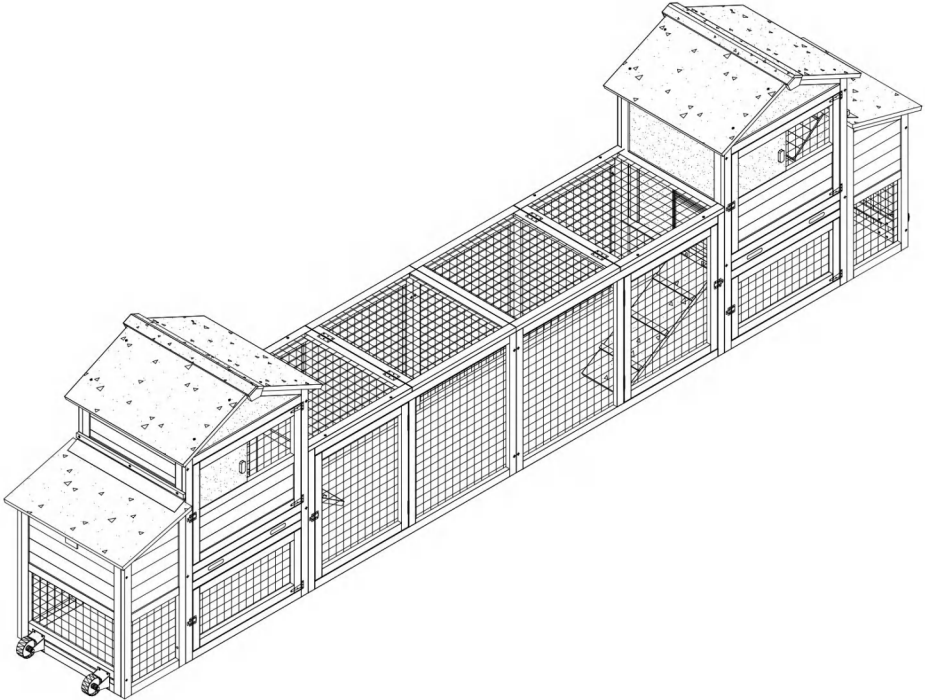


## Notice

Read Before Assemble!

Pls ignore the following for only one coop owner!

The casters, the side pen panel Part P, the push handle Part Q, the metal rod , the pen lock P7 are not needed in 2nd coop.

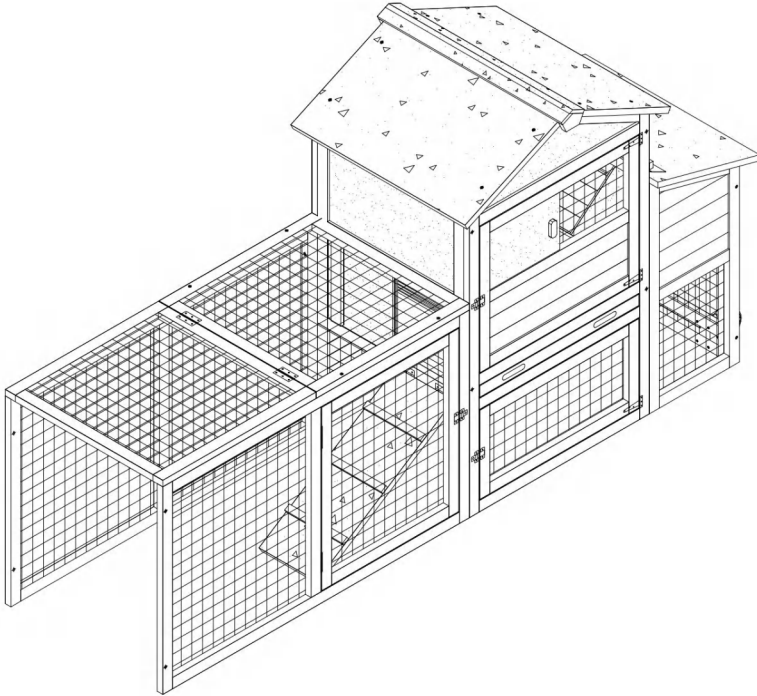


## Notice

Read Before Assemble!

From Step 15 are assemble steps for 2 coops.

The casters, the side pen panel Part P, the push handle Part Q, the metal rod , the pen lock P7 are not needed in the 2nd coop.





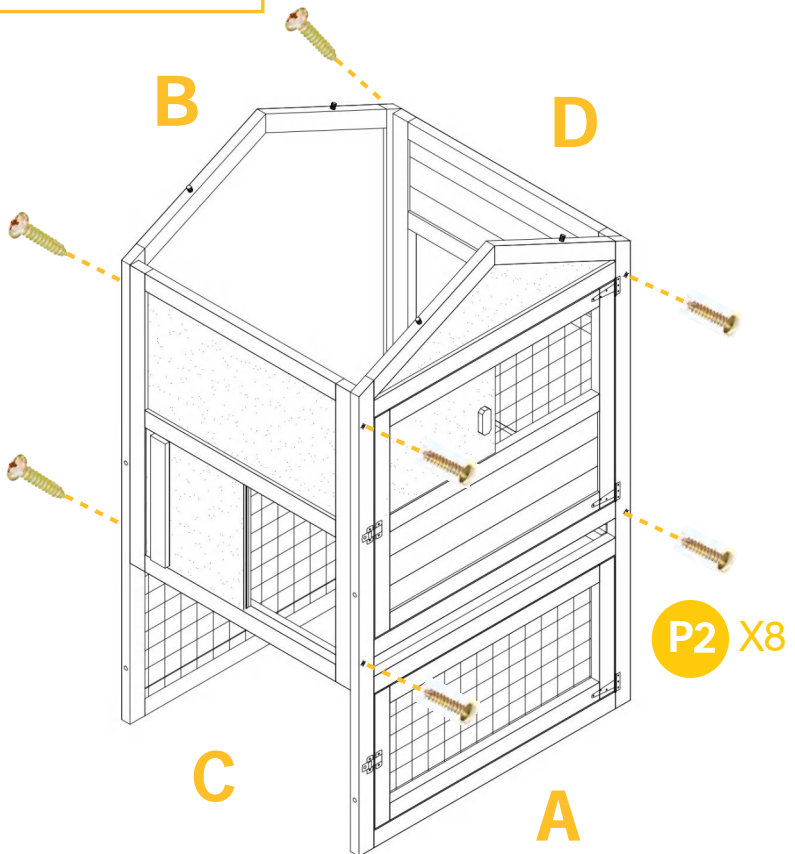
## PRODUCT ASSEMBLY //

# 16

Attach the front Part A, the back Part B to the Part C & D by 8xP2.  
Notice the direction of Part C & D is different with the 1st coop.  
(Very important)

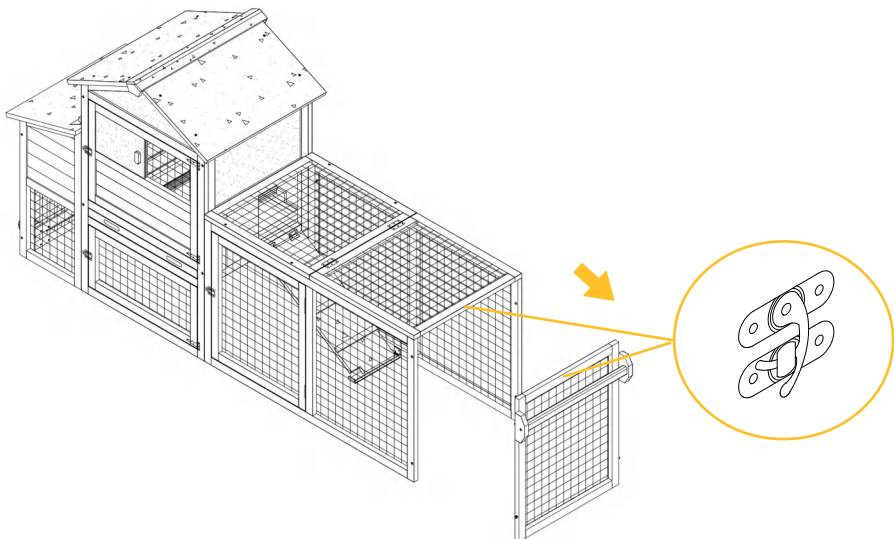
Repeat the same assembly ways from step 2-step13 the same as the 1st coop.

**!**  
Notice the direction of  
Part C & D is different  
with the 1st coop.  
(Very important !)

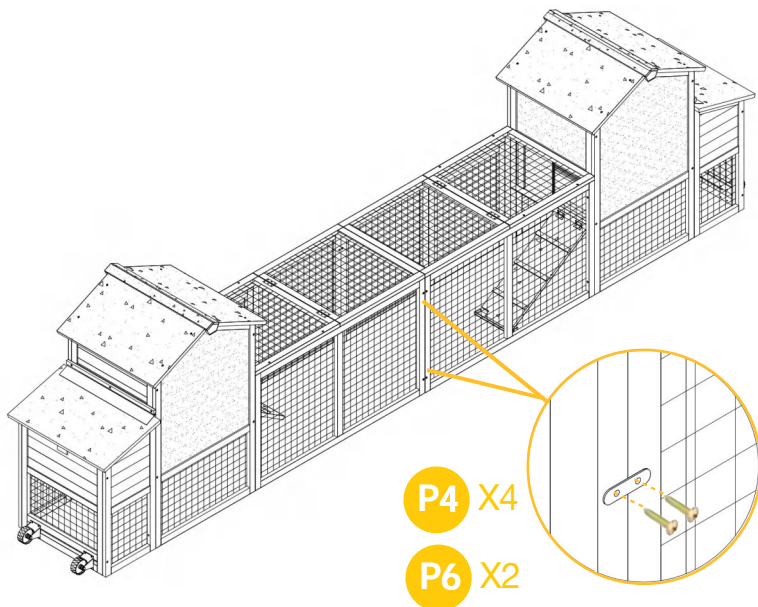


## OPTION 1

- 17** Take out the side pen panel Part P of the first coop.  
Take out the pen lock P7 of the first coop.

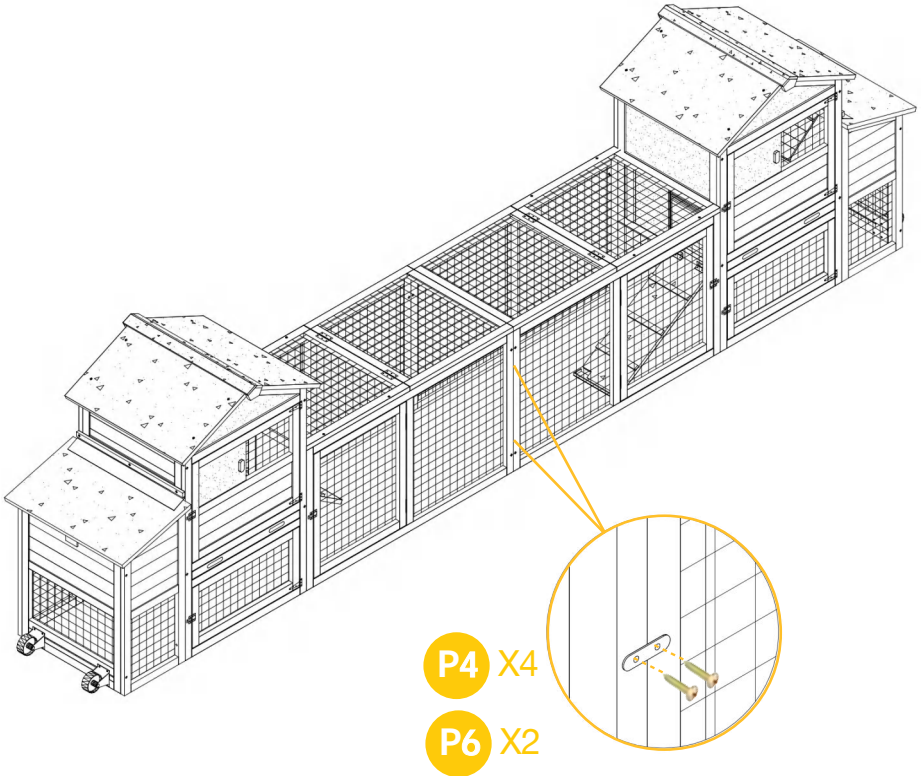


- 16** Screw the Connect Piece 2xP6 to the middle frame of the 2 coops by 4xP4 back side.



## PRODUCT ASSEMBLY //

**17** Screw the Connect Piece 2xP6 to the middle frame of the 2 coops by 4xP4 front side.





**WARNING**

Manufacturer and seller expressly disclaim any and all liability for personal injury, property damage or loss, whether direct, indirect, or incidental, resulting from the incorrect attachment, improper use, inadequate maintenance, or neglect of this product.