

## WARRANTY

### WHAT IS COVERED

We warrant the product to be free from defects in material or workmanship for a period of one year from the date of original retail purchase. The word "defects" is defined as imperfections that impair the use of the product. Defects resulting from misuse, abuse or customer negligence will void this warranty.

### WHAT IS NOT COVERED

This warranty does not cover commercial use, hardware, acts of nature, fire, freezing and abusive use. This warranty does not cover defects due to alteration or accidents. This warranty does not cover scratches, scuffs or other cosmetic damages that may result from normal use of the product.

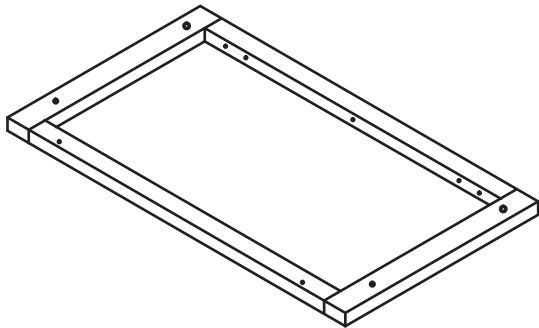
## CARE INSTRUCTIONS

Thank you for choosing ZOOVILLA™ FREE-RANGE CHICKEN COOP. With a little care and maintenance, the ZOOVILLA™ FREE-RANGE CHICKEN COOP will provide you with comfort and enjoyment for many years to come!

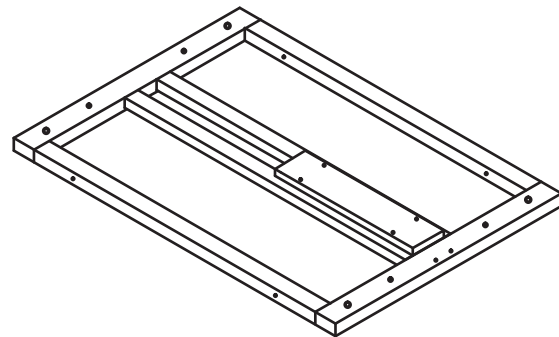
- To clean panels, use clean water on a damp cloth. DO NOT pressure wash, this will damage the finish.
- When assembling ZOOVILLAS™ FREE-RANGE COOP, please handle all panels and/or hardware with care to avoid any possibilities of damages and/or injuries.
- Cover during harsh weather to keep it from weathering.
- It is highly recommended that you treat ZOOVILLAS™ FREE-RANGE CHICKEN COOP with a weatherproof coating (stain or paint) once a year, to increase life expectancy and maintain the look.



NOTE: Please read all instructions carefully before starting assembly. Also, we recommend that the unit is fully assembled on a level surface. Two people are recommended to assemble this product. DO NOT over torque screws and bolts.



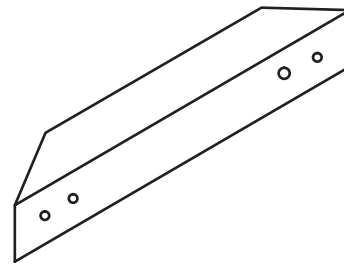
**1** FLOOR FRAME SIDES X 2PCS



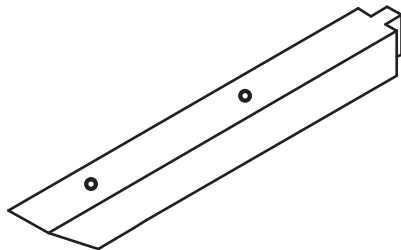
**2** FLOOR FRAME CENTER X 1PC



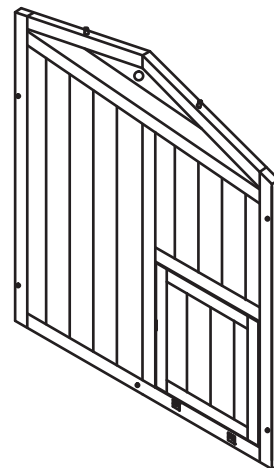
**3** LEGS X 4PCS



**4** LEGS BRACKET X 8PCS

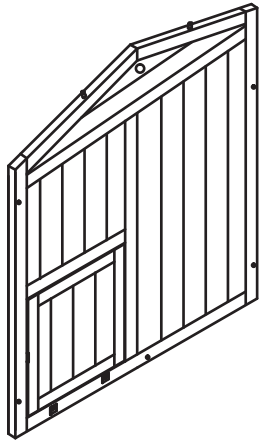


**5** LEG BASE X 4PC

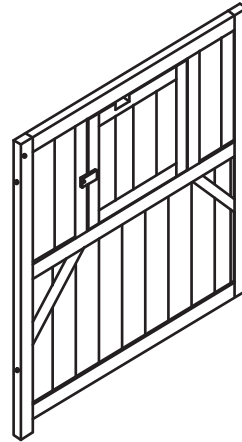


**6** LEFT SIDE PANEL X 1PC

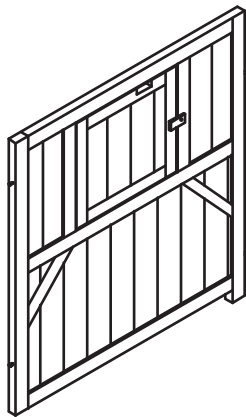
NOTE: Please read all instructions carefully before starting assembly.  
Also, we recommend that the unit is fully assembled on a level surface.  
Two people are recommended to assemble this product.  
DO NOT over torque screws and bolts.



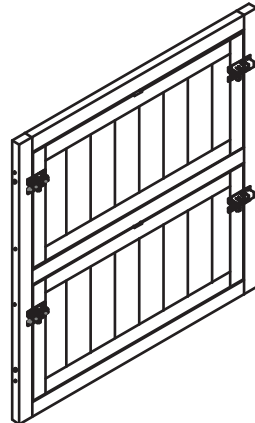
**7** RIGHT SIDE PANEL X 1PC



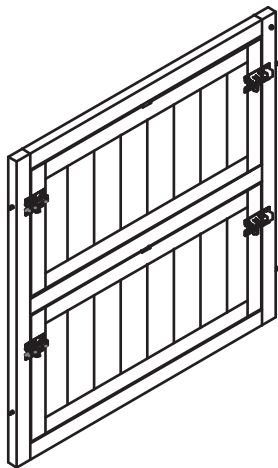
**8** FRONT PANEL LEFT X 1PC



**9** FRONT PANEL RIGHT X 1PC



**10** BACK PANEL LEFT X 1PC



**11** BACK PANEL RIGHT X 1PC

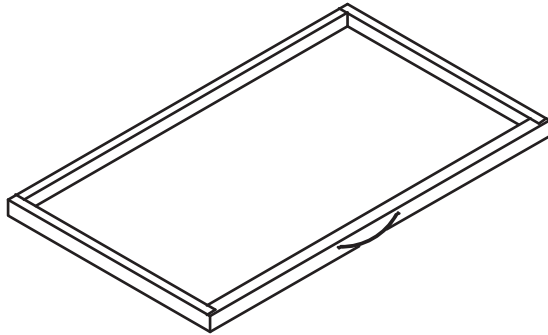


**12** BACK PANEL CONNECTOR X 1PC

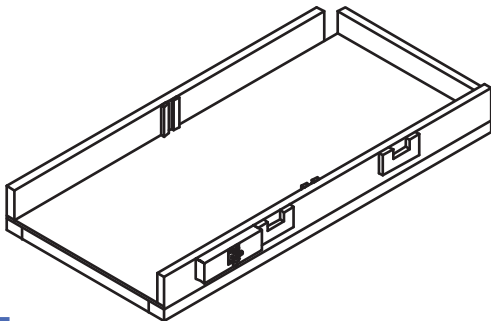
NOTE: Please read all instructions carefully before starting assembly.  
 Also, we recommend that the unit is fully assembled on a level surface.  
 Two people are recommended to assemble this product.  
 DO NOT over torque screws and bolts.



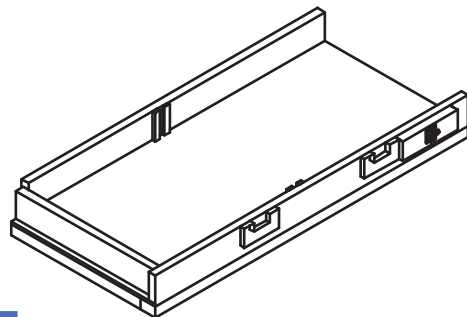
**13** FRONT PANEL CONNECTOR X 1PC



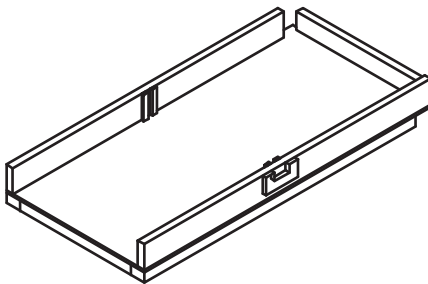
**14** TRAYS X 2PCS



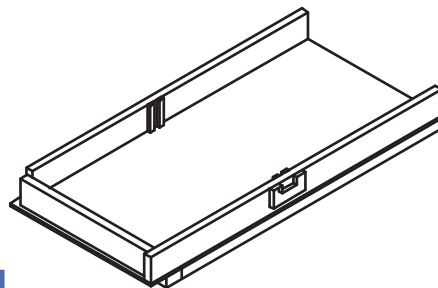
**15** NESTING BOX BOTTOM LEFT X 1PC



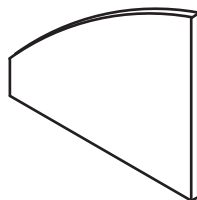
**16** NESTING BOX BOTTOM RIGHT X 1PC



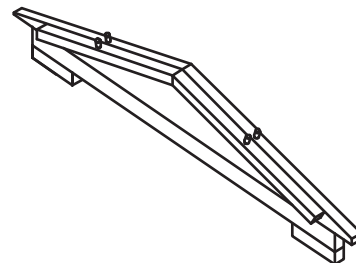
**17** NESTING BOX TOP LEFT X 1PC



**18** NESTING BOX TOP RIGHT X 1PC

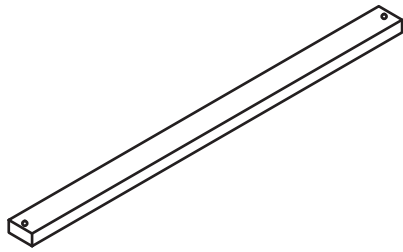


**19** NESTING BOX SEPARATORS X 6PCS

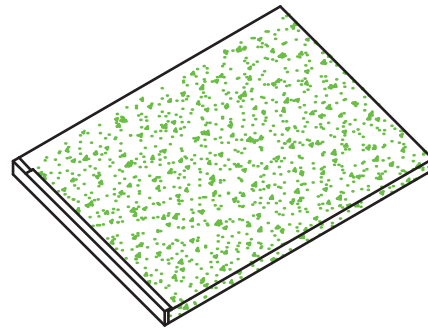


**20** CENTRAL RAFTER X 1PC

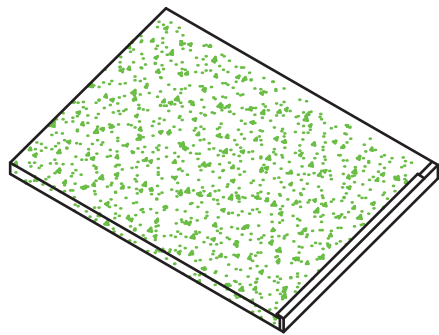
NOTE: Please read all instructions carefully before starting assembly.  
 Also, we recommend that the unit is fully assembled on a level surface.  
 Two people are recommended to assemble this product.  
 DO NOT over torque screws and bolts.



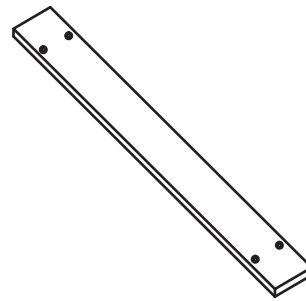
**21** CENTRAL SUPPORT BAR X 1PC



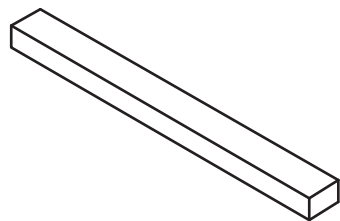
**22** LEFT ROOF X 2PCS



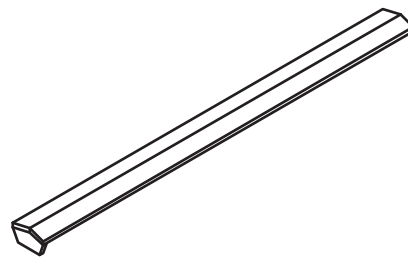
**23** RIGHT ROOF X 2PCS



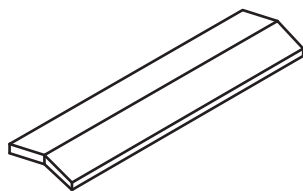
**24** ROOF CONNECTORS X 2PC



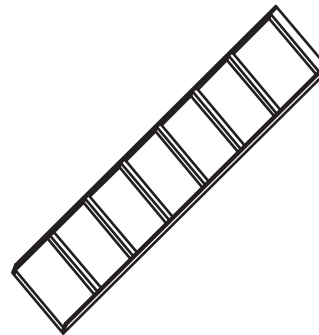
**25** ROOSTING BARS X 6PC



**26** ROOF CAPS X 2PCS









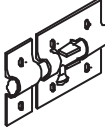
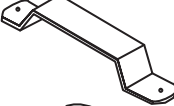
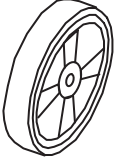




**27** CENTER ROOF CAP X 1PC



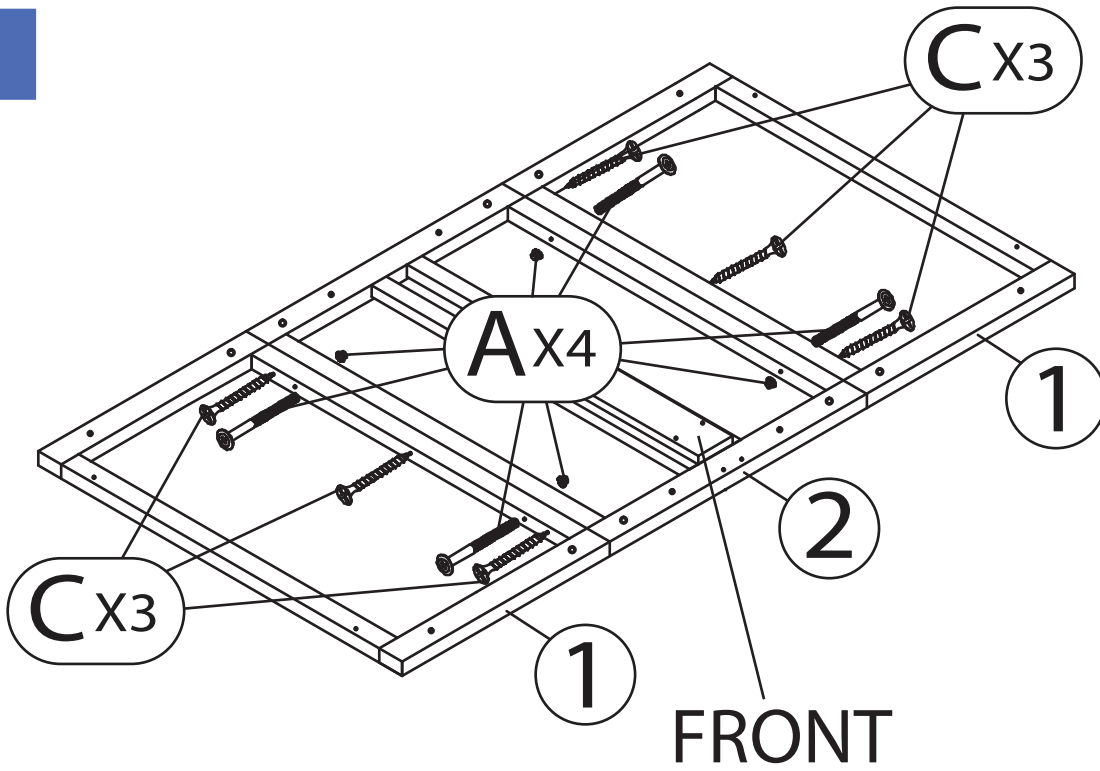
**28** RAMP X 1PC

NOTE: Please read all instructions carefully before starting assembly.  
 Also, we recommend that the unit is fully assembled on a level surface.  
 Two people are recommended to assemble this product.  
 DO NOT over torque screws and bolts.

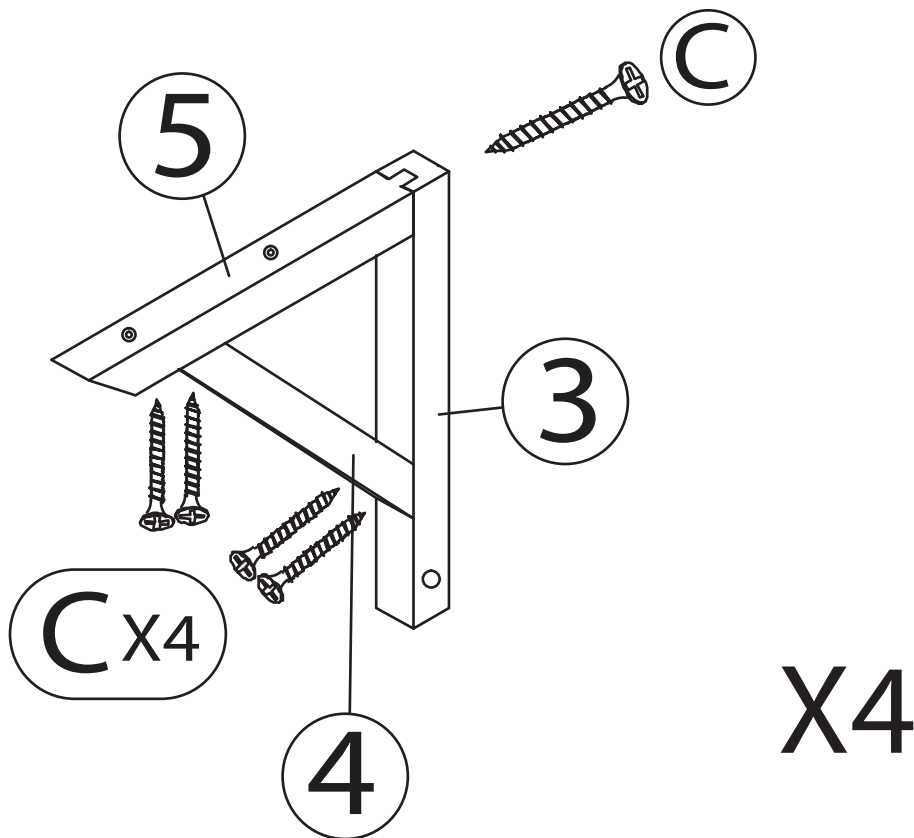
A		M6X75	12 PCS
B		M12X100	4 PCS
C		M4X50	64+1 PCS
D		M4X40	12+1 PCS
E		M4X35	18+1 PCS
F		M4X30	16+1 PCS
G		M4X25	24+1 PCS
H		M3X16	48+1 PCS
I		LOCK BOLT	2 PCS
J		HANDLE	2 PCS
K		WHEEL	4 PCS
L		LOCK LOOP	12 PCS
M		WRENCH	2 PCS

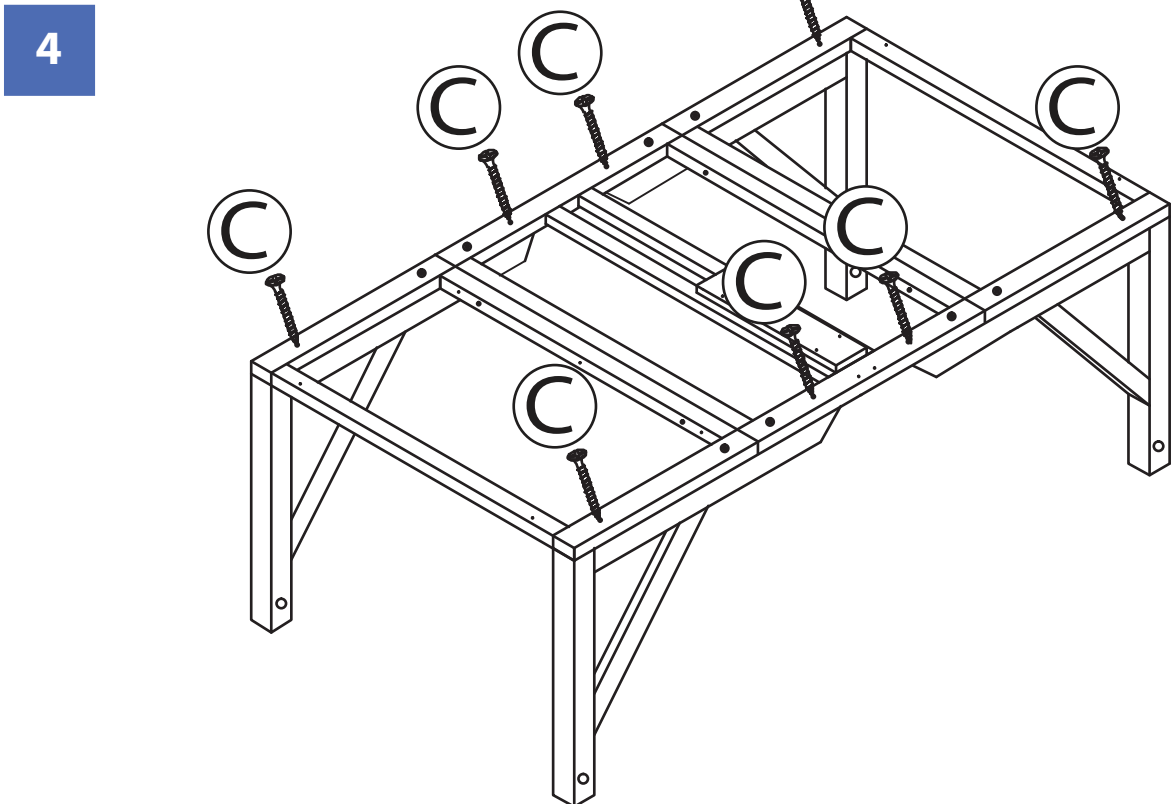
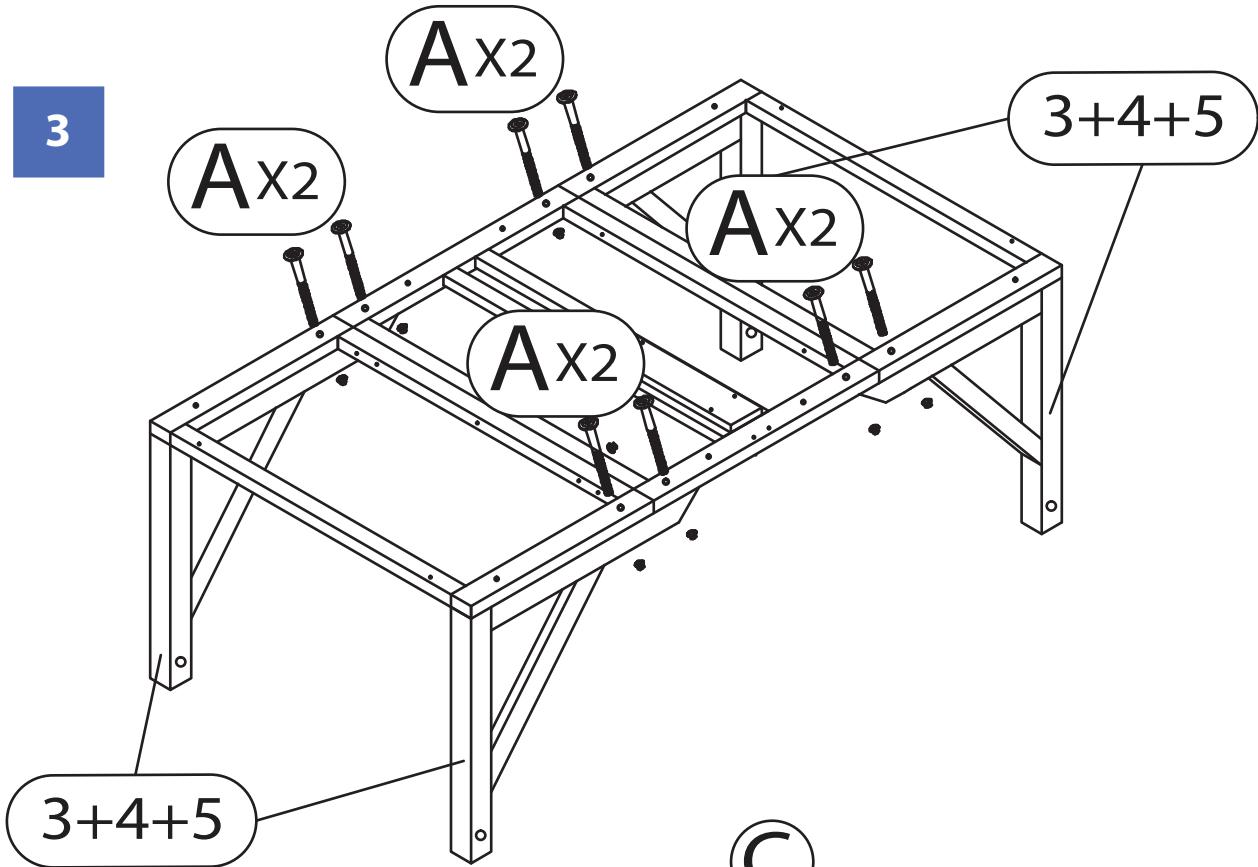
NOTE: Please read all instructions carefully before starting assembly.  
 Also, we recommend that the unit is fully assembled on a level surface.  
 Two people are recommended to assemble this product.  
 DO NOT over torque screws and bolts.

1



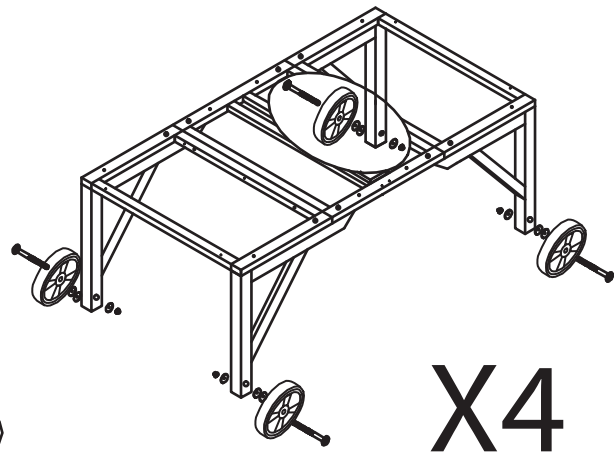
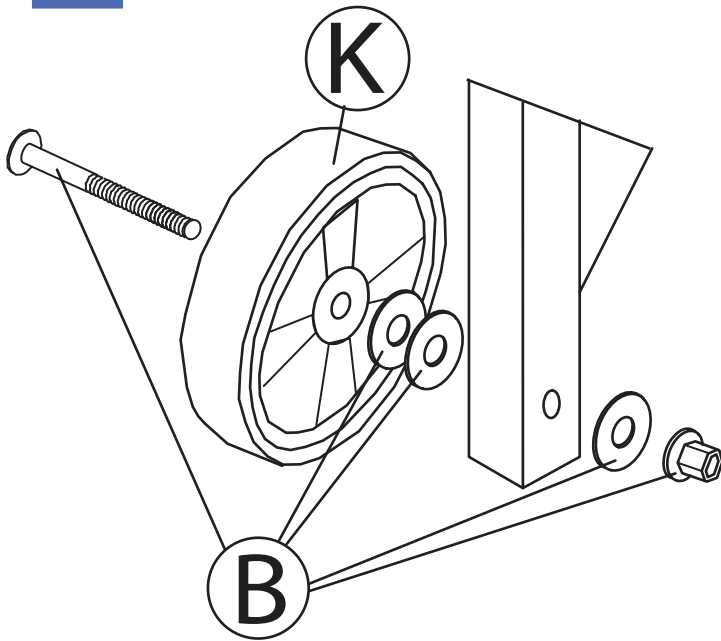
2



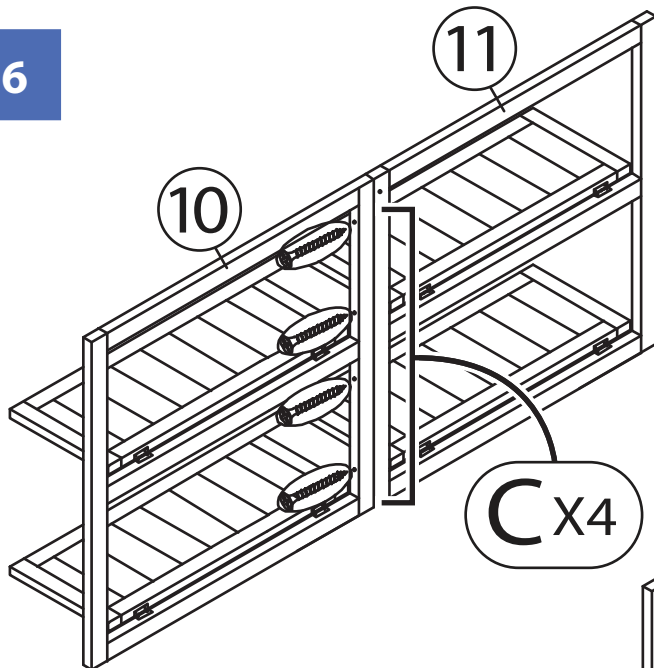




5



6



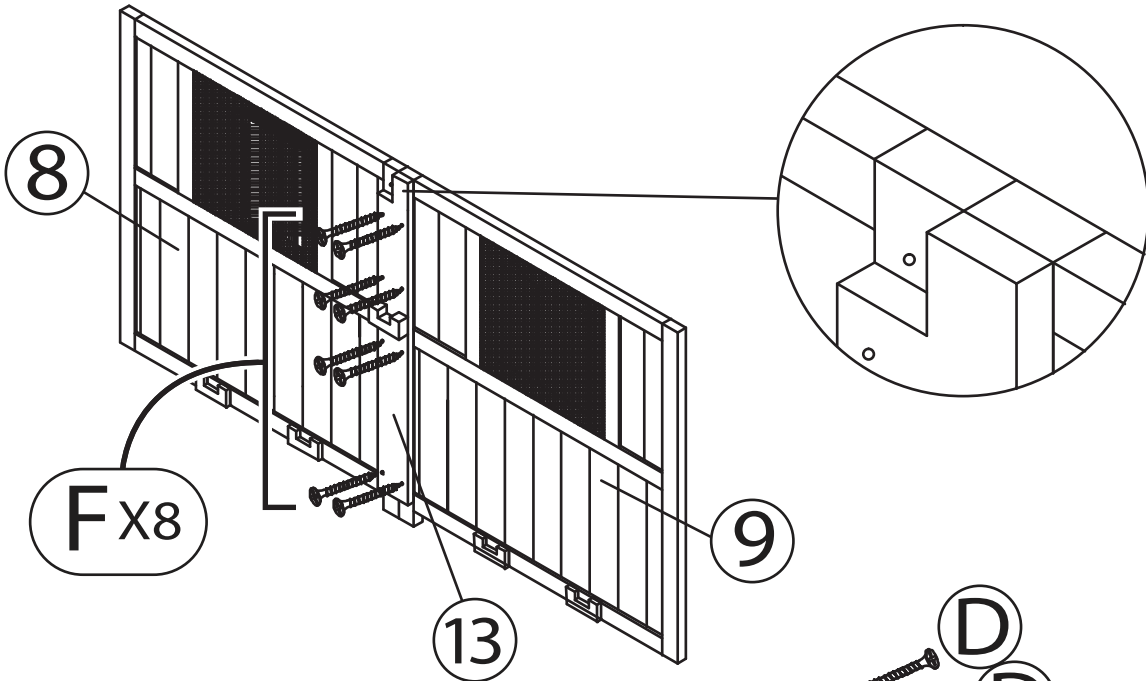
7

12

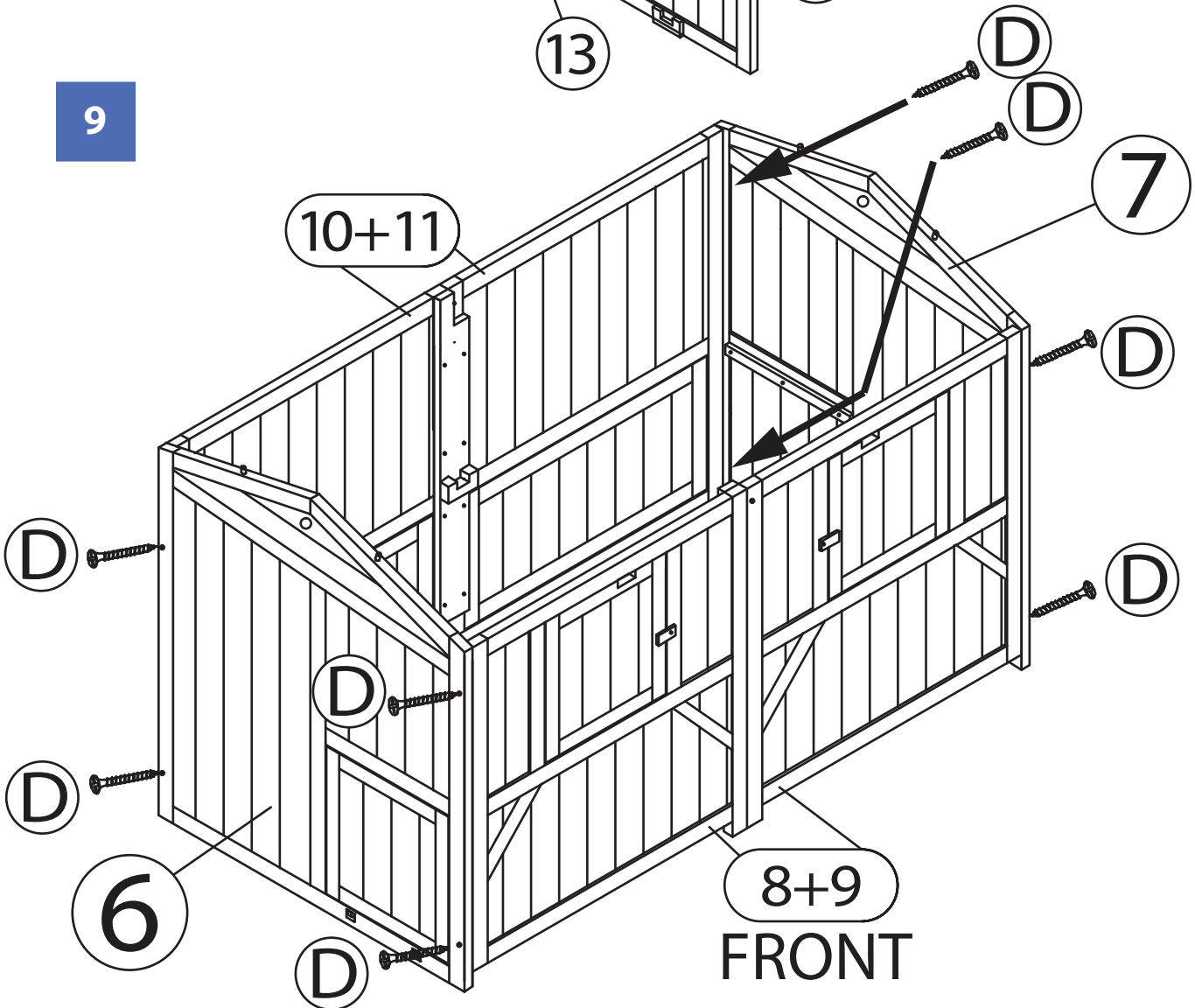
F X8



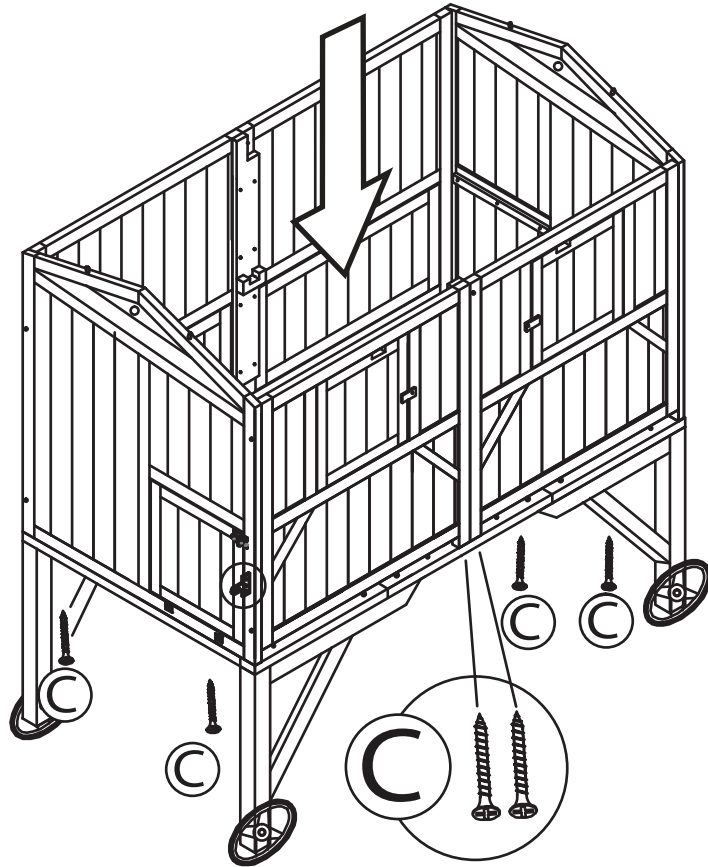
8



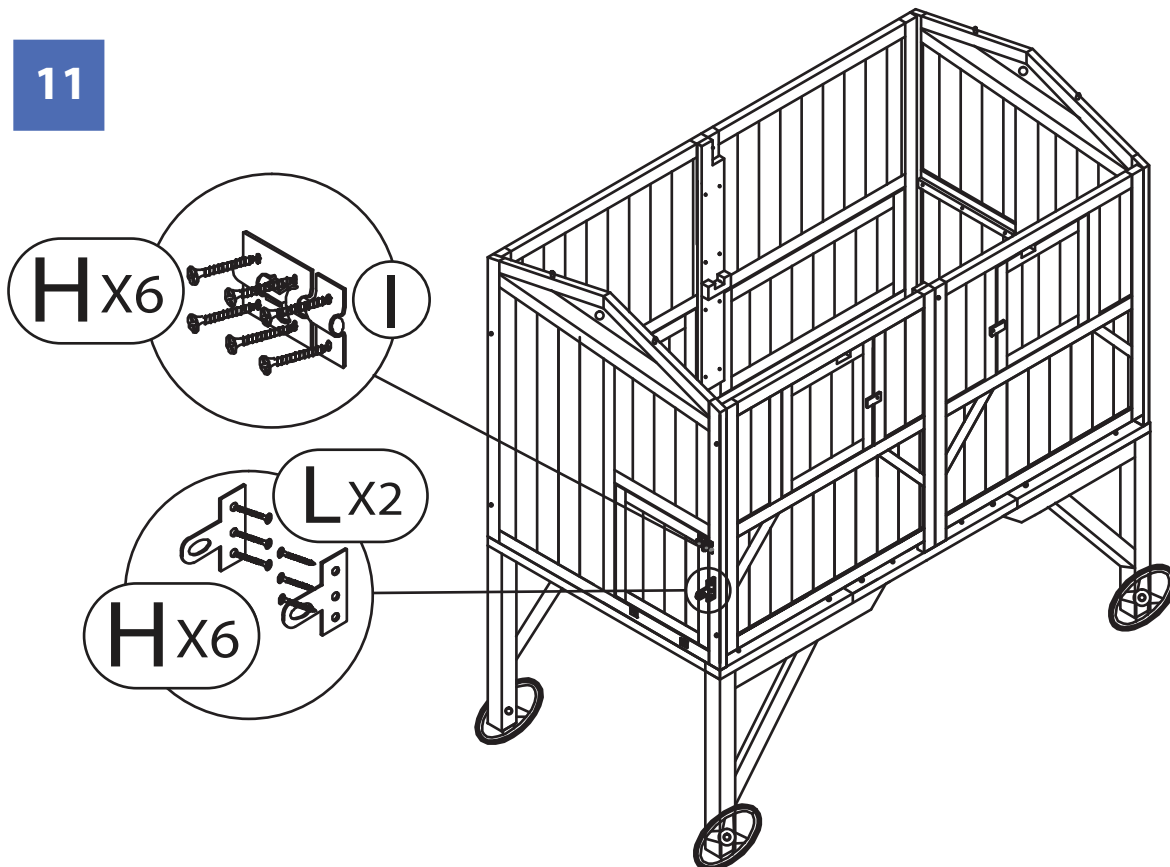
9



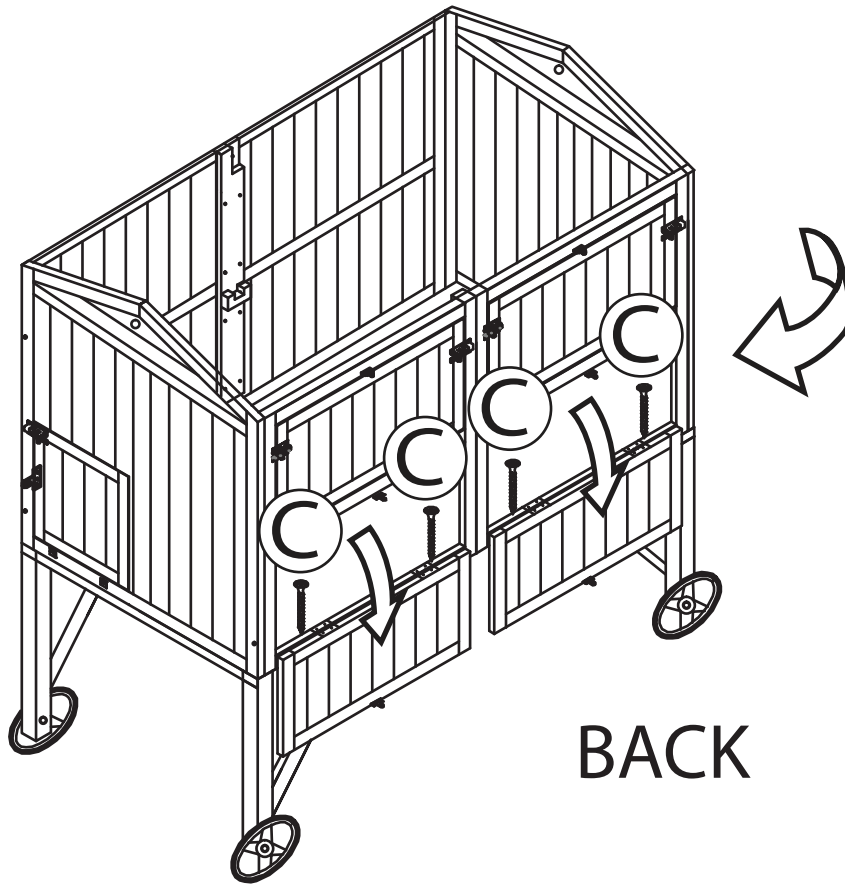
10



11

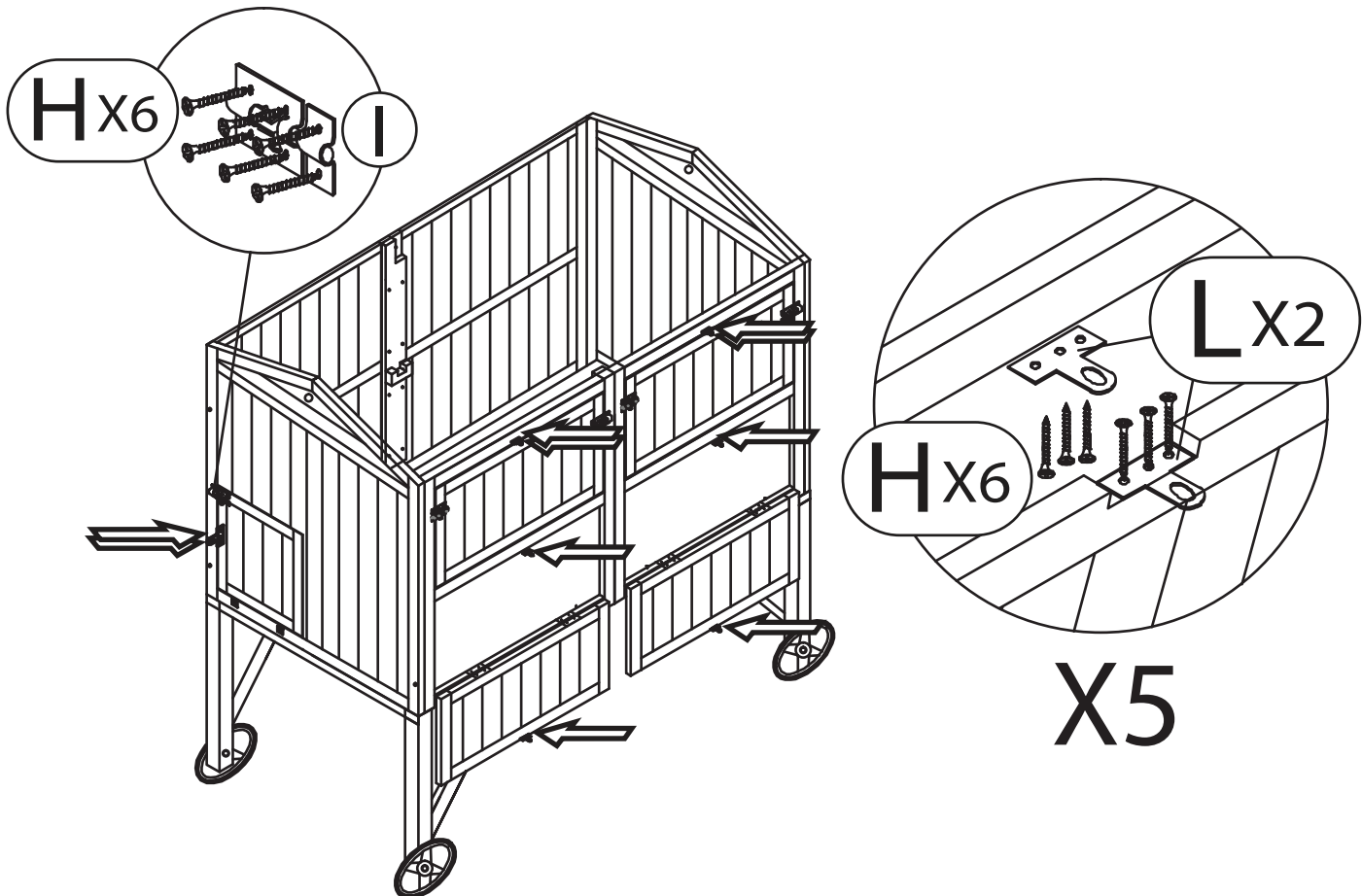


12

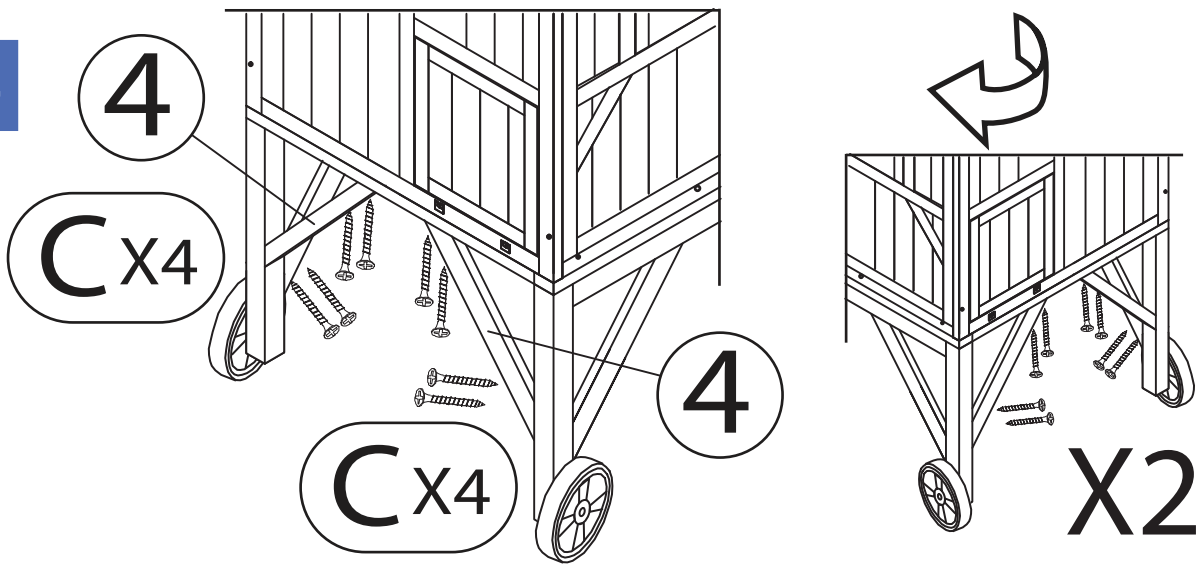


BACK

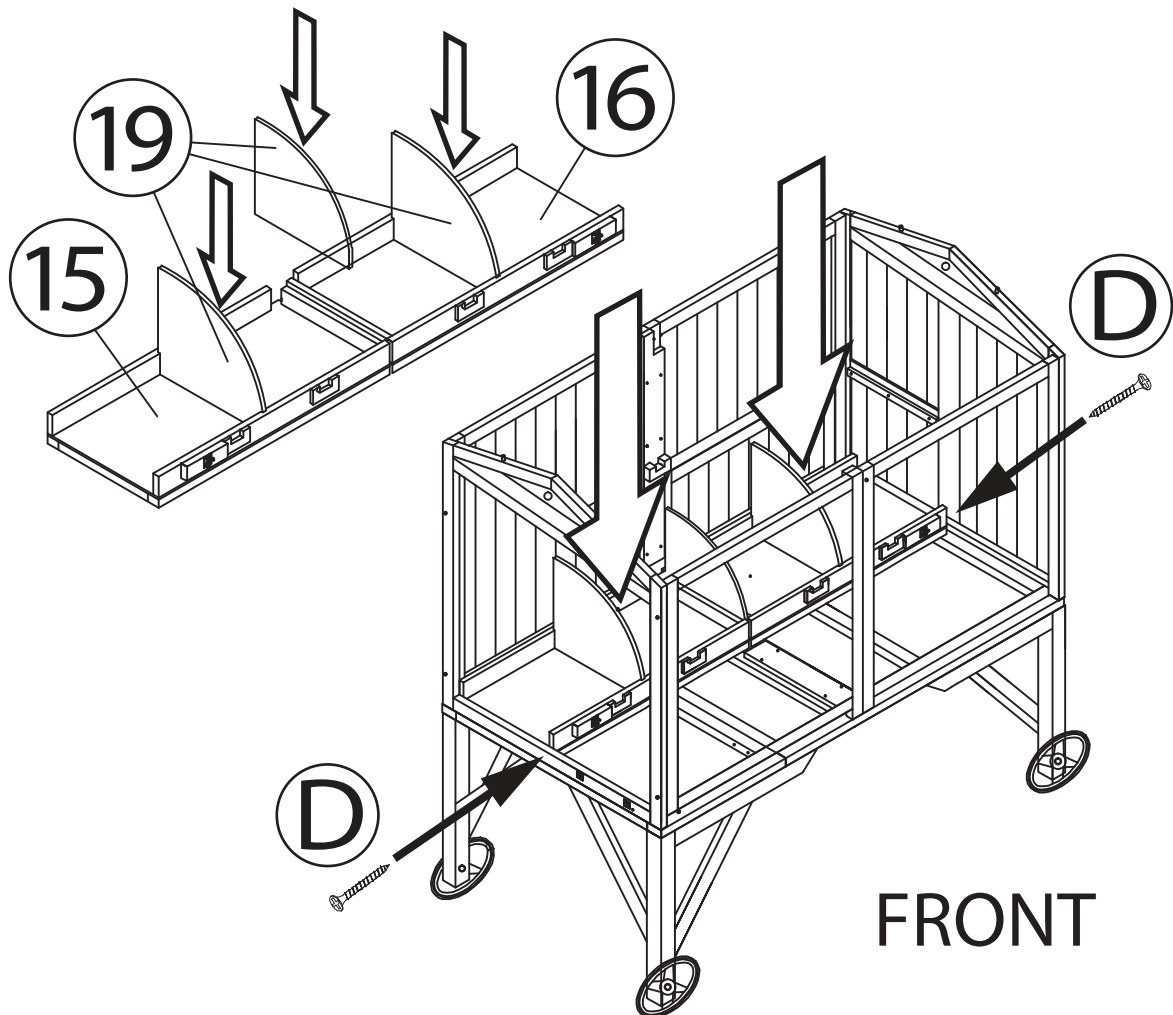
13



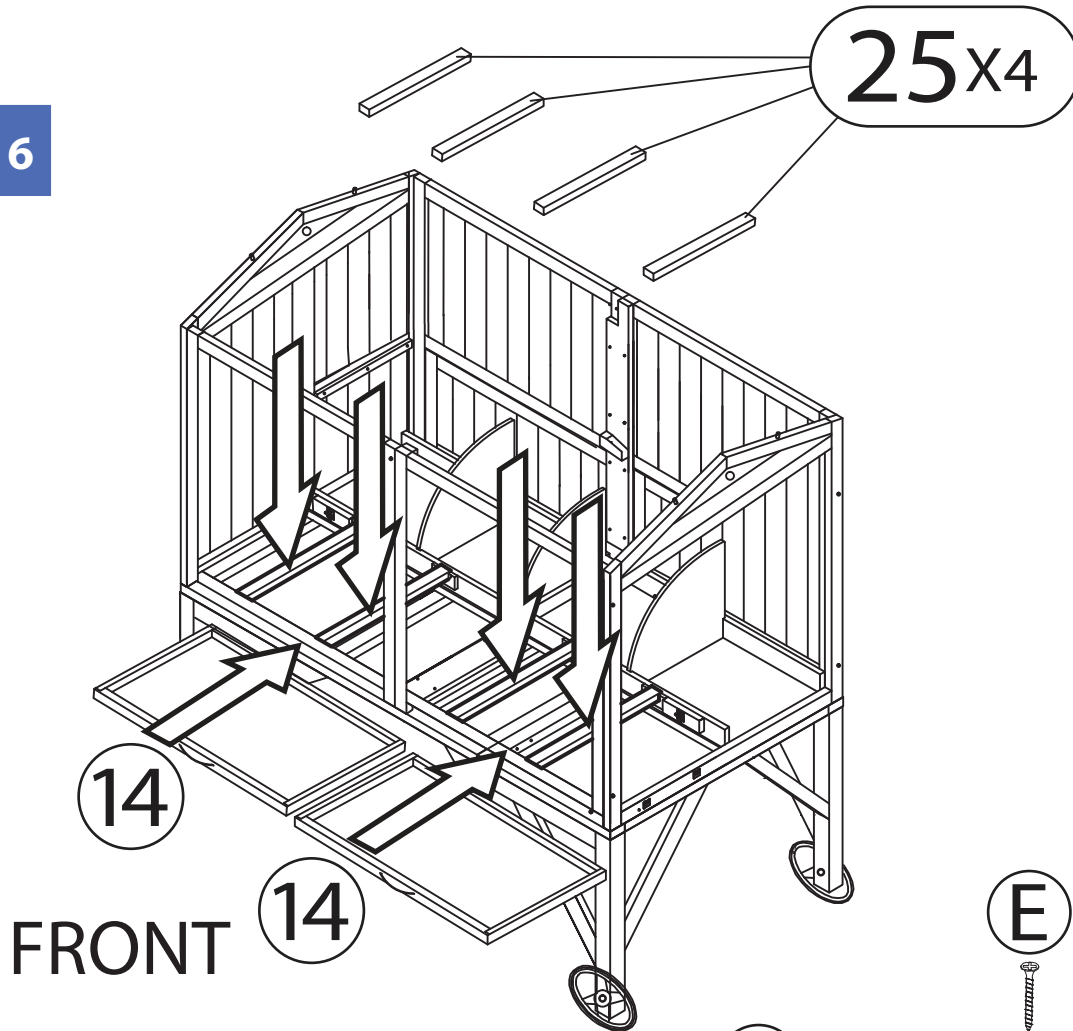
14



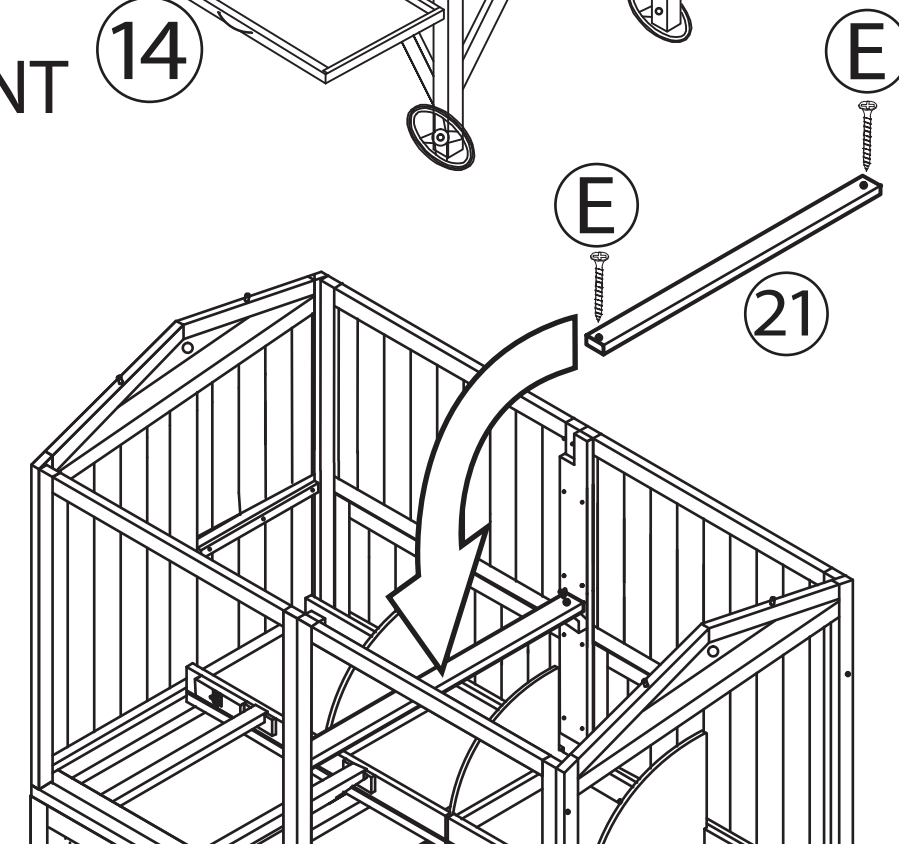
15



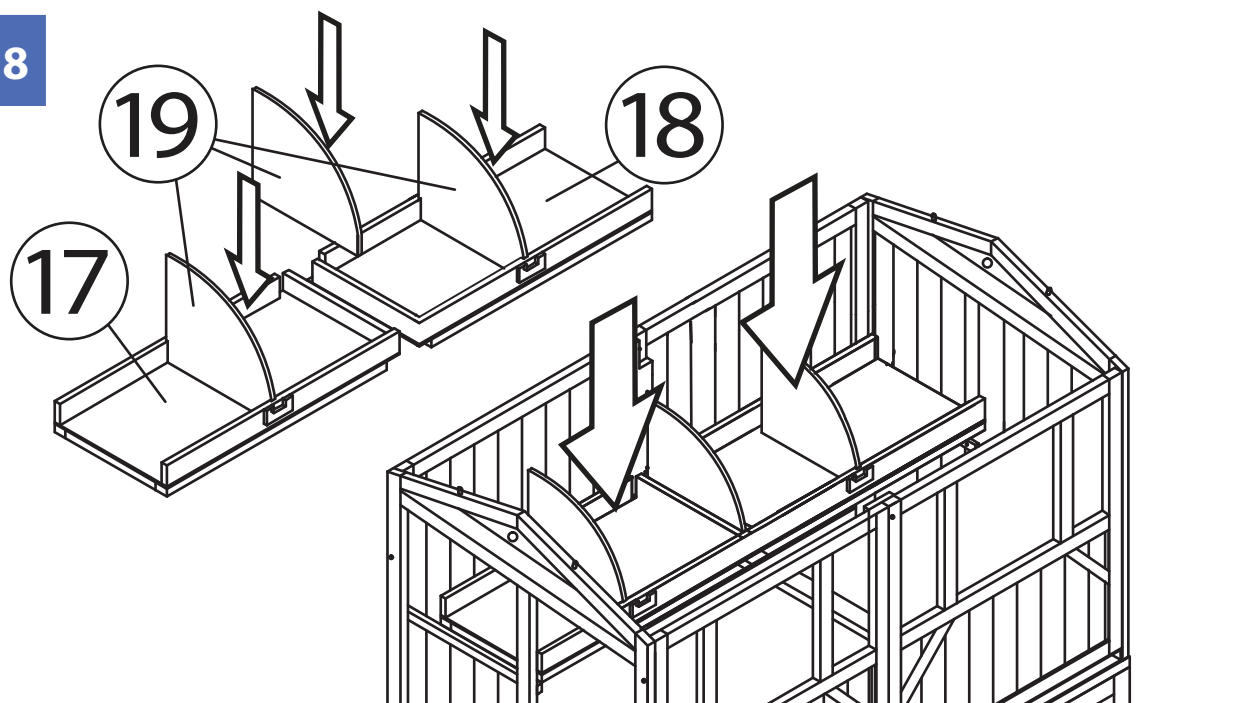
16



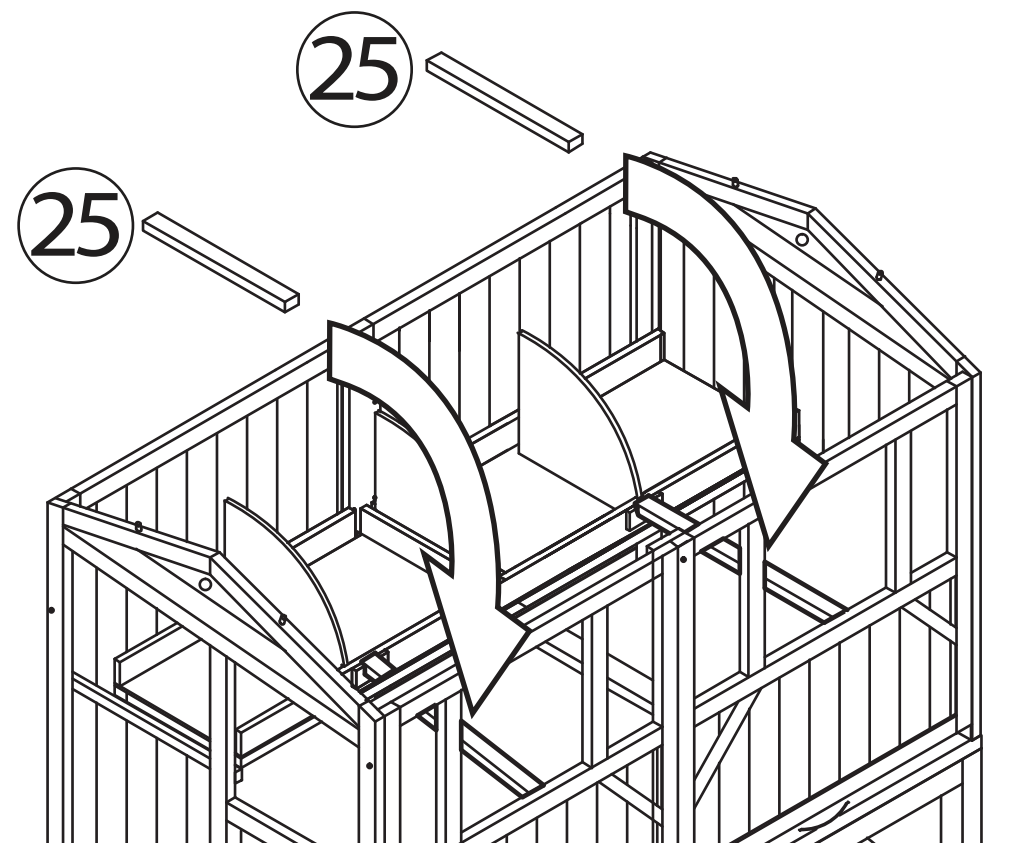
17



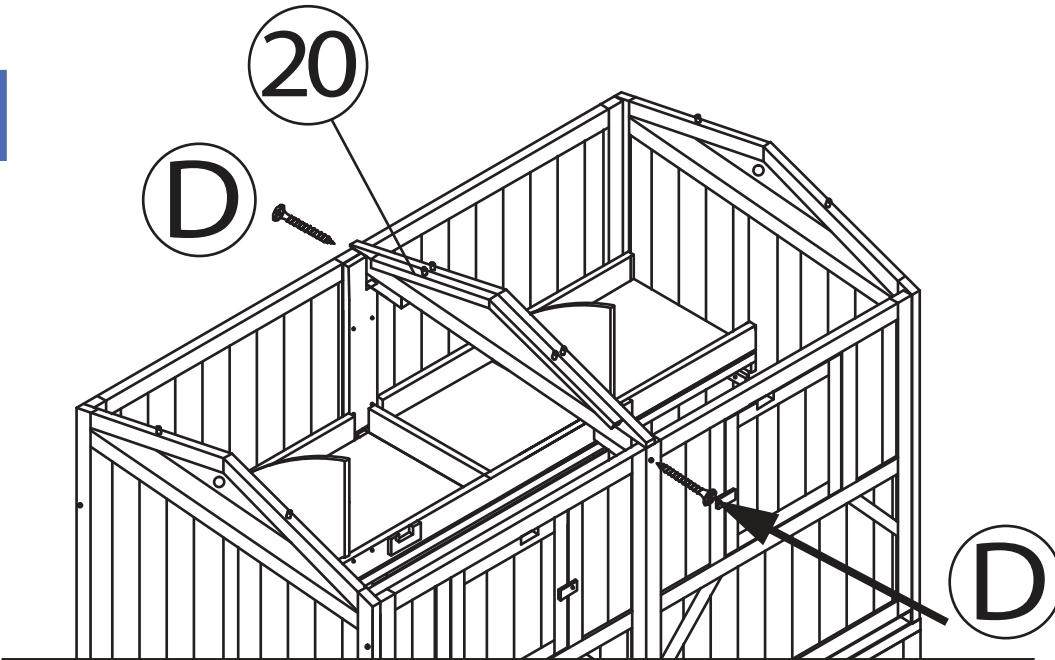
18



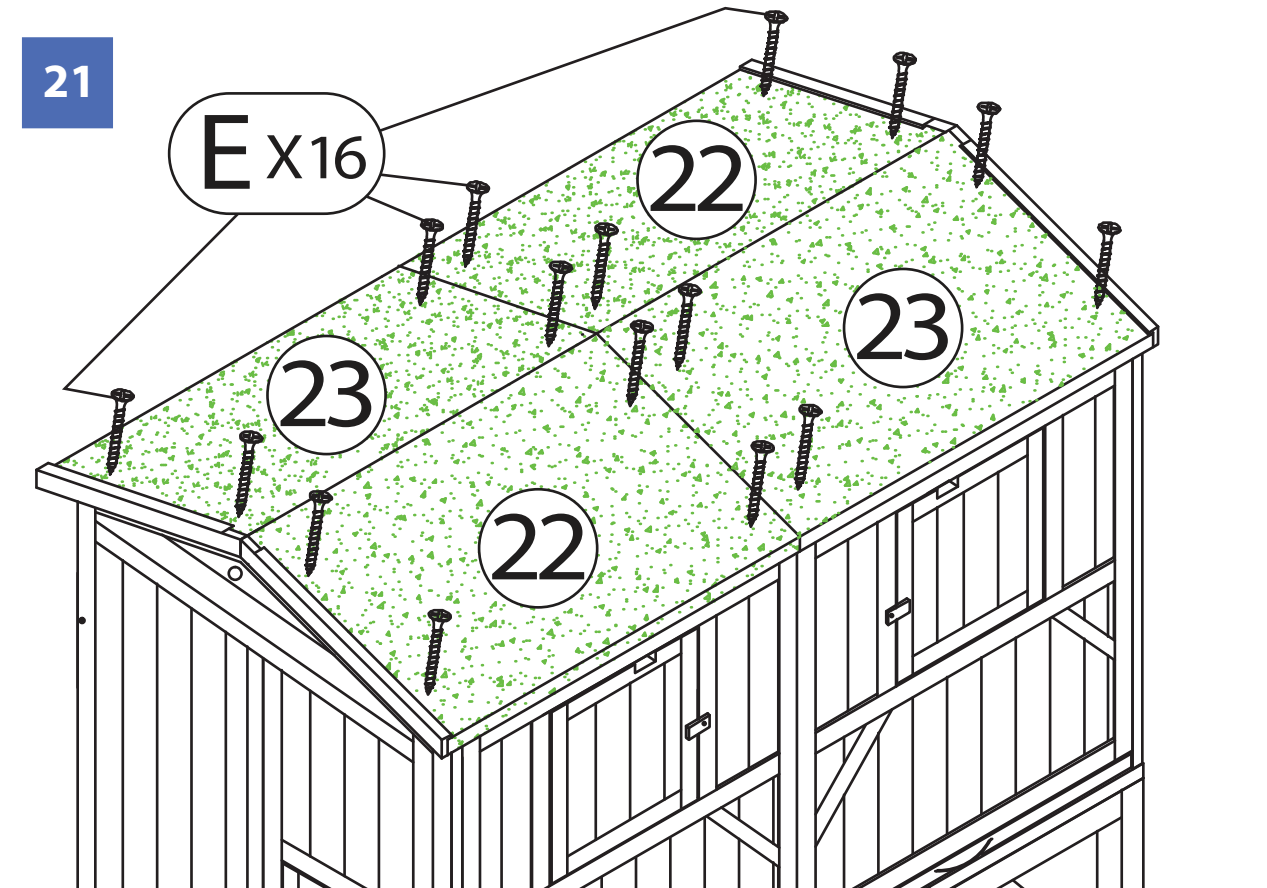
19



20

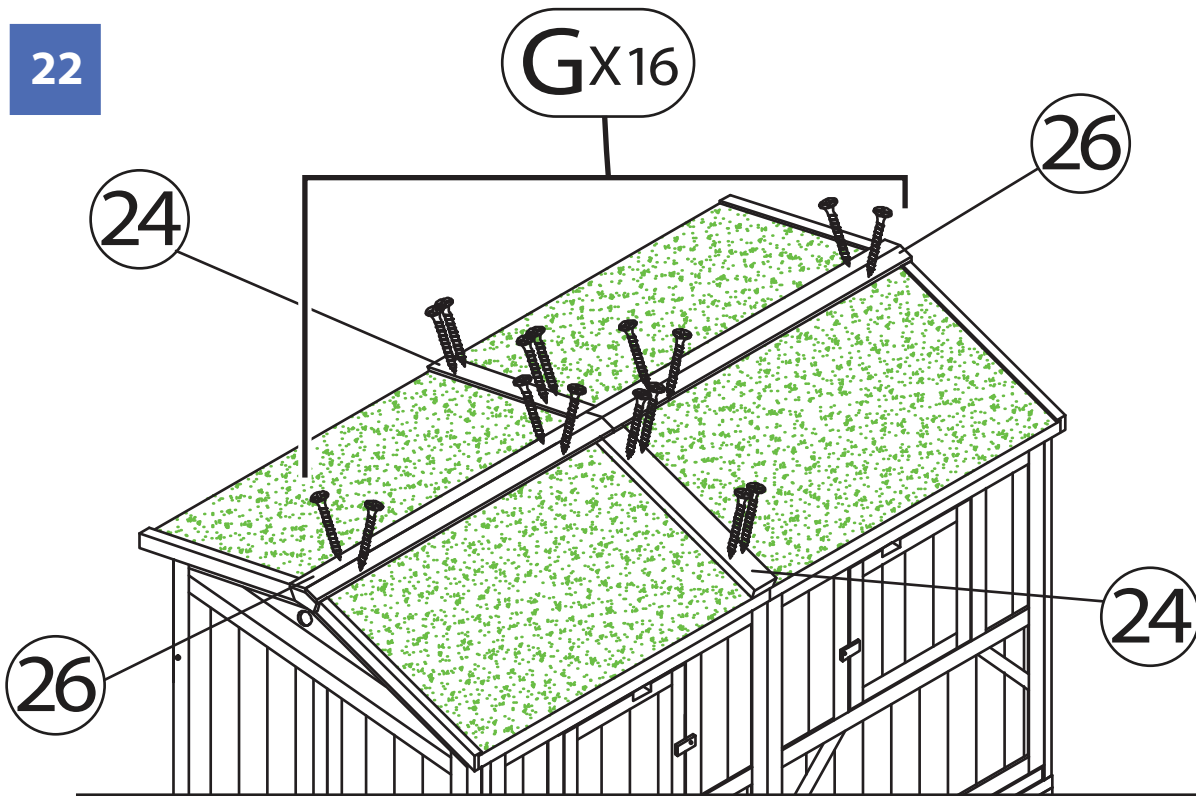


21

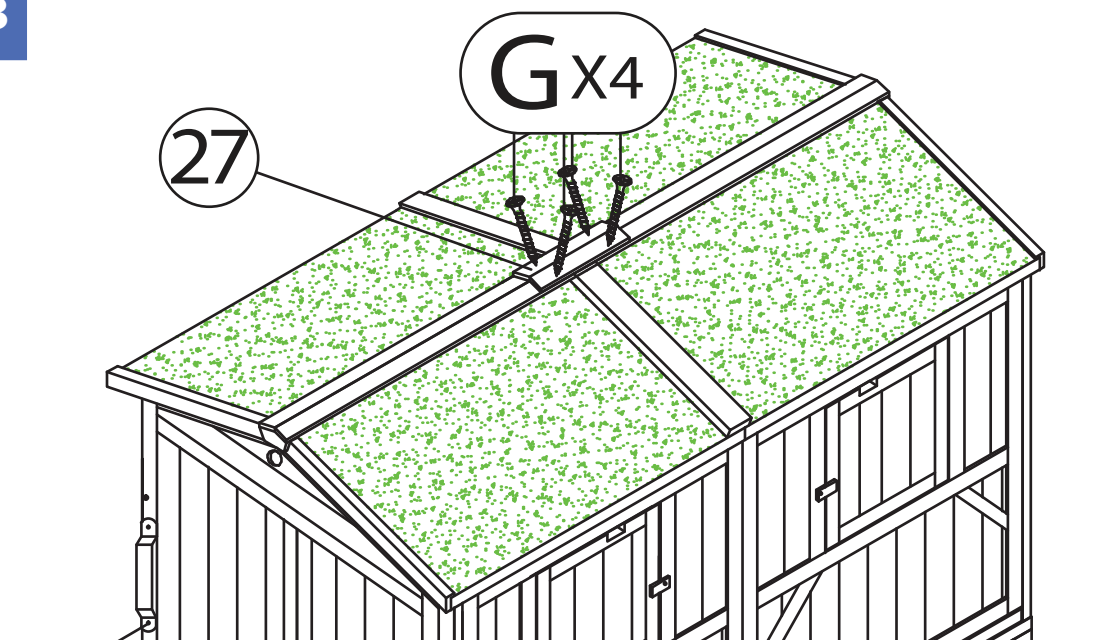




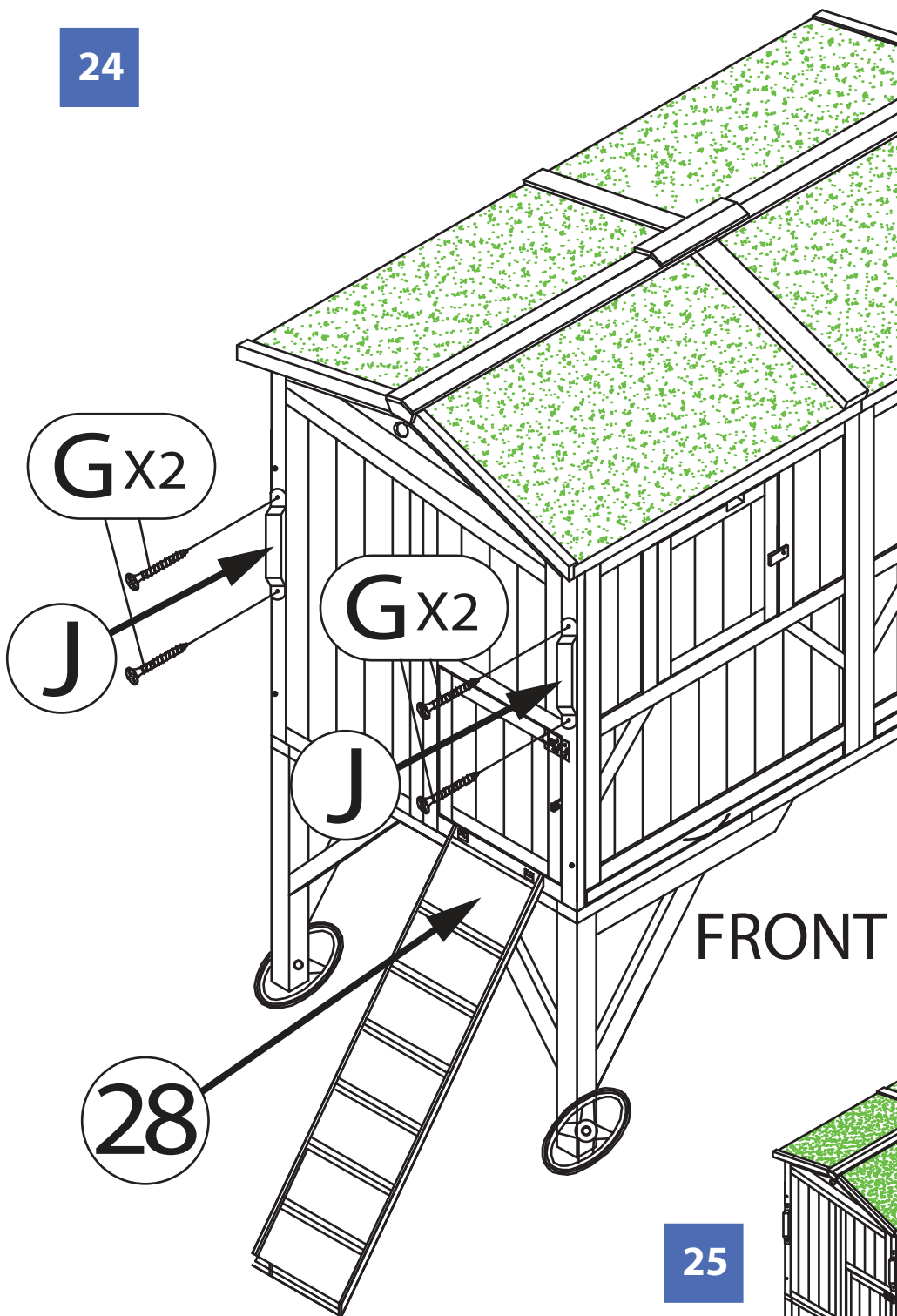
22



23



24



25



Please check contents before assembly. If any items are missing or damaged, do not take the unit back to the store. Call (775) 629-5029 or email: [service@merryproducts.com](mailto:service@merryproducts.com) for customer service and we will save you time by correcting any problems directly for you.

NOTE: Please read all instructions carefully before starting assembly. Also, we recommend that the unit is fully assembled on a level surface. Two people are recommended to assemble this product. DO NOT over torque screws and bolts.