

PUSH CONNECT: COPPER, PEX, PE-RT, AND CPVC

# QUICKFITTING®

## OVERBUILT, NOT OVERPRICED.

### JUST PUSH TO CONNECT FOR A PERMANENT PLUMBING CONNECTION

- Removable
- Reusable
- Push Connect
- Installs in Seconds
- Full Flow!

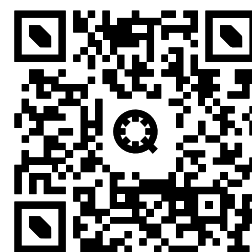
AVAILABLE IN STAINLESS STEEL, BRASS, AND COPPER  
UNMATCHED QUALITY, SELECTION & VALUE



### GOES IN FAST, AND STAYS IN

HASSLE- AND FRUSTRATION-FREE APPLICATIONS

- No glues, solder, crimping, clamps or special tools
- Professional grade Stainless Steel, Brass, and Copper for a permanent seal in seconds
- Fast, trouble-free installation on Copper, PEX, PE-RT, or CPVC tubing



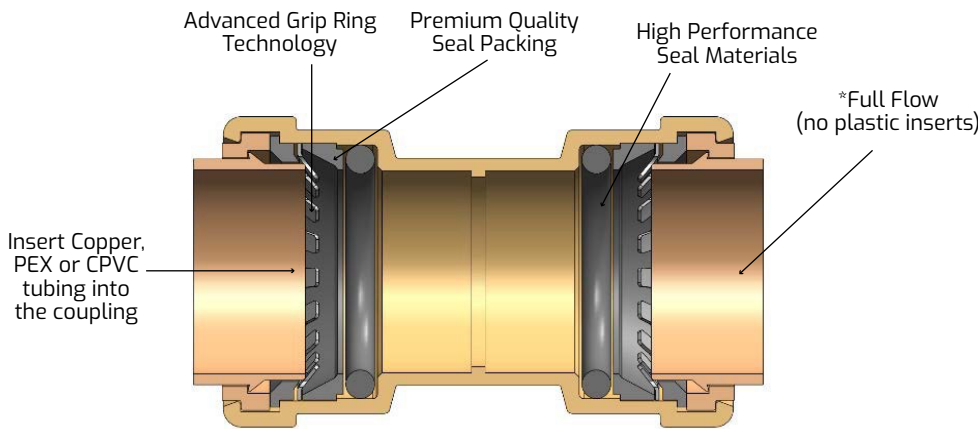
**SCAN HERE**

WITH YOUR PHONE OR  
VISIT [QUICKFITTING.COM](http://QUICKFITTING.COM)  
FOR MORE INFO

[WWW.QUICKFITTING.COM](http://WWW.QUICKFITTING.COM)

QUICK FITTING HOLDING COMPANY, LLC.  
655 WATERMAN AVE., EAST PROVIDENCE, RI, USA 02914  
TEL: (877) 238-4826 / FAX: (877) 258-4826

### CUT, CLEAN, MARK IT, PUSH CONNECT.



### OUR PREMIUM CONSTRUCTION PROVIDES SUPERIOR PERFORMANCE & THE INDUSTRY'S BEST WARRANTY!

Why install inferior metal or plastic fittings that are made or warranted to last about as long as a fluorescent bulb? Accept no substitutes, choose the only brand of fitting with an up to 75-year warranty.

\*When using PEX or PE-RT, a Hi-Flo tube stiffener should be inserted into the PEX or PE-RT tubing end prior to insertion into the fitting or valve.

## VALUE

PROFESSIONAL-GRADE QUALITY, BACKED BY THE QUICKFITTING SUPERIOR WARRANTY IS JUST THE START. SAVE TIME AND MONEY ON YOUR INSTALLATION BY COMPLETING YOUR PROJECTS IN 70%-90% FASTER THAN CONVENTIONAL SOLDERED TECHNOLOGY.

## YOU'RE DONE!

NO FLAMES, GLUES, TOOLS, CRIMPING, OR THREADING.



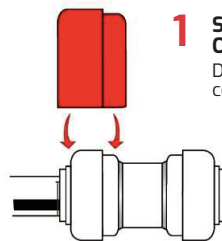
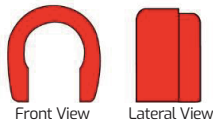
NO GLUE



NO FLAMES

### REMOVABLE AND REUSABLE

SMART RELEASE TOOL  
Herramienta de remoción

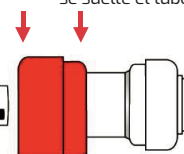


**1 SLIDE THE SMART RELEASE SLIP CLIP™ OVER THE FITTING CONNECTION**

Deslice el clip de remoción sobre la conexión de ajuste

**2 PRESS DOWNWARD UNTIL THE TUBING IS RELEASED**

Presione hacia abajo hasta que se suelte el tubo.



**3 PULL THE TUBING FROM THE FITTING**

Jale la tubería para separarla de la instalación.

### PIPE AND TUBING

Use For Copper, PEX, PE-RT, & CPVC Tubing

Our fittings have been tested to ASSE 1061/NSF 61 standards and are listed by IAPMO, meeting UPC, IPC and cUPC requirements.

### APPLICATIONS

Fluids, Inert Gases, Water & Air

QuickFitting® push connect fittings are certified for potable and hydronic heating installations, as well as underground applications and as a plumbing joint without access panels.

### ASSORTMENT

Wide Variety of Fittings, Kits & Valves

QuickFitting® offers a wide range of push connect plumbing fittings, as well as stop valves, ball valves, gate valves, installation kits and custom products.