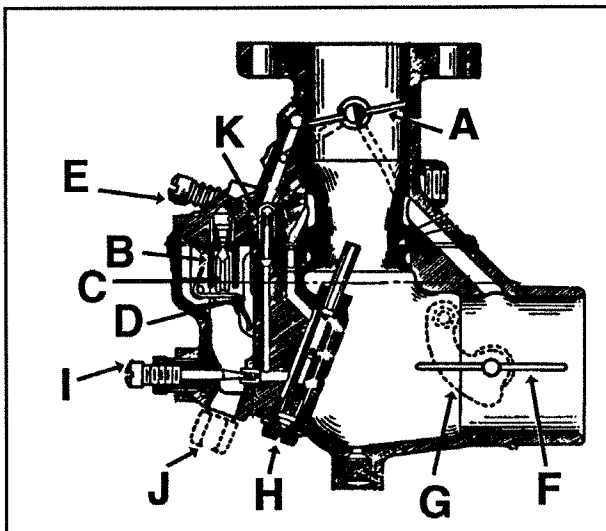


Service Instructions for Repair of

International Harvester M-MV and 6 Series 1-1/4" & 1-3/8" Up-Draft Carburetors



Check serial number of tractor and determine whether same is high or low compression so that kit is applicable for repair of carburetor.

DISASSEMBLE THE CARBURETOR

1. Separate upper body from lower body taking care to avoid damage to float. Remove and save all parts from upper and lower bodies.
2. Clean both castings thoroughly in carburetor cleaner solvent or gasoline if solvent is not available.
3. Blow out all channels and passages with compressed air. Be sure castings are clean.

REASSEMBLE THE CARBURETOR

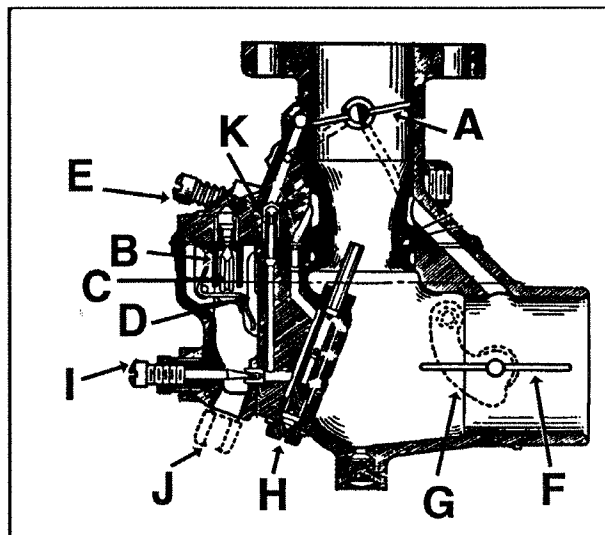
(Always install all parts contained in kit.)

1. Carefully inspect all parts to make sure that they have been thoroughly cleaned and that all jet passages are clear.
2. Install throttle shaft in position, then insert throttle plate (A). Install throttle stop screw in casting and set so that throttle plate will close tight. If throttle shaft binds, turn to closed position and lightly tap shaft directly over center of throttle plate.
3. Install fuel valve seat (B) and new gasket.
4. Place new body to bowl gasket in position.



Service Instructions for Repair of

International Harvester M-MV and 6 Series 1-1/4" & 1-3/8" Up-Draft Carburetors



Check serial number of tractor and determine whether same is high or low compression so that kit is applicable for repair of carburetor.

DISASSEMBLE THE CARBURETOR

1. Separate upper body from lower body taking care to avoid damage to float. Remove and save all parts from upper and lower bodies.
2. Clean both castings thoroughly in carburetor cleaner solvent or gasoline if solvent is not available.
3. Blow out all channels and passages with compressed air. Be sure castings are clean.

REASSEMBLE THE CARBURETOR

(Always install all parts contained in kit.)

1. Carefully inspect all parts to make sure that they have been thoroughly cleaned and that all jet passages are clear.
2. Install throttle shaft in position, then insert throttle plate (A). Install throttle stop screw in casting and set so that throttle plate will close tight. If throttle shaft binds, turn to closed position and lightly tap shaft directly over center of throttle plate.
3. Install fuel valve seat (B) and new gasket.
4. Place new body to bowl gasket in position.



5. Place fuel valve needle (C) in position, then insert float (D) and float axle. Float must move freely.
6. To obtain correct fuel level check position of float to measure 1-5/16" plus or minus 3/64" from casting to farthest point of float. Bend float arm next to float to obtain this measurement. Do not bend float hinge.
7. Install idle adjusting screw (E).
8. Install strainer screen assembly.
9. Install starting shutter dust seal and retainer in bowl casting.
10. Locate starting shutter (F) in position in opening.
11. Insert starting shutter shaft through casting and into starting shutter.
12. Install lever friction spring and ball and bring the starting shutter shaft and lever assembly (G) down to retain ball and spring. Then insert butterfly screw and tighten securely.
13. Install discharge nozzle (H) and nut.
14. Install fuel adjusting needle (I) and packing nut. Flush away any excess packing that may be clinging to needle point.
15. Install drain plug (J).
16. Install idle metering jet (K).
17. Place the bowl assembly in position on throttle body being careful to avoid damage to float.
18. Install assembly screws and lock washers. Be sure to tighten screws evenly and securely.

PRIMARY ADJUSTMENTS

1. Set throttle stop screw to 1-1/2 turns open.
2. Set fuel adjusting needle three turns off seat.
3. Set idle adjusting needle one turn off seat.

5. Place fuel valve needle (C) in position, then insert float (D) and float axle. Float must move freely.
6. To obtain correct fuel level check position of float to measure 1-5/16" plus or minus 3/64" from casting to farthest point of float. Bend float arm next to float to obtain this measurement. Do not bend float hinge.
7. Install idle adjusting screw (E).
8. Install strainer screen assembly.
9. Install starting shutter dust seal and retainer in bowl casting.
10. Locate starting shutter (F) in position in opening.
11. Insert starting shutter shaft through casting and into starting shutter.
12. Install lever friction spring and ball and bring the starting shutter shaft and lever assembly (G) down to retain ball and spring. Then insert butterfly screw and tighten securely.
13. Install discharge nozzle (H) and nut.
14. Install fuel adjusting needle (I) and packing nut. Flush away any excess packing that may be clinging to needle point.
15. Install drain plug (J).
16. Install idle metering jet (K).
17. Place the bowl assembly in position on throttle body being careful to avoid damage to float.
18. Install assembly screws and lock washers. Be sure to tighten screws evenly and securely.

PRIMARY ADJUSTMENTS

1. Set throttle stop screw to 1-1/2 turns open.
2. Set fuel adjusting needle three turns off seat.
3. Set idle adjusting needle one turn off seat.