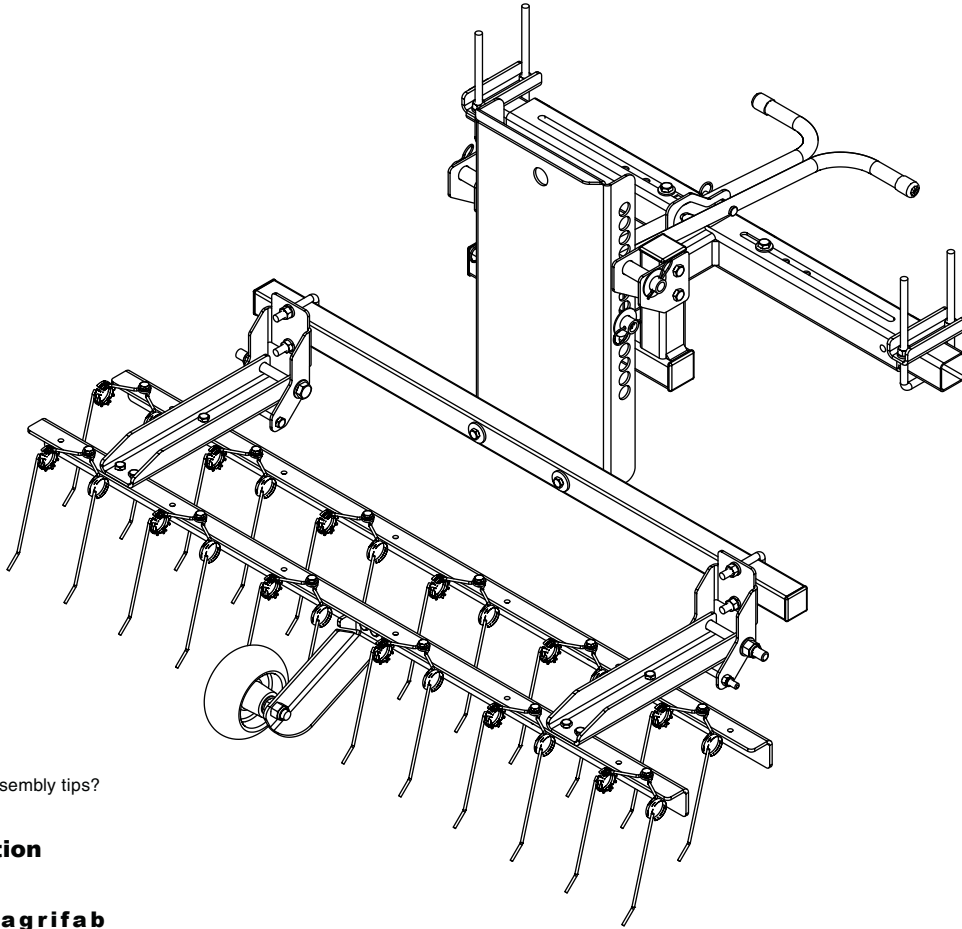


Agri+Fab®

Lawn Care Made Easy®



Want more information or assembly tips?



**Video
Instruction
Guide**

youtube.com/c/agrifab

45-0629

ZERO TURN DETHATCHER



.....3,4	FRANÇAIS	16
ENGLISH.....5	ESPAÑOL.....	21

SAFETY RULES

Remember, any equipment can cause injury if operated improperly or if the user does not understand how to operate the equipment. Exercise caution at all times when using this equipment.



LOOK FOR THIS SYMBOL TO POINT OUT IMPORTANT SAFETY PRECAUTIONS. IT MEANS - ATTENTION! BECOME ALERT! YOUR SAFETY IS INVOLVED.

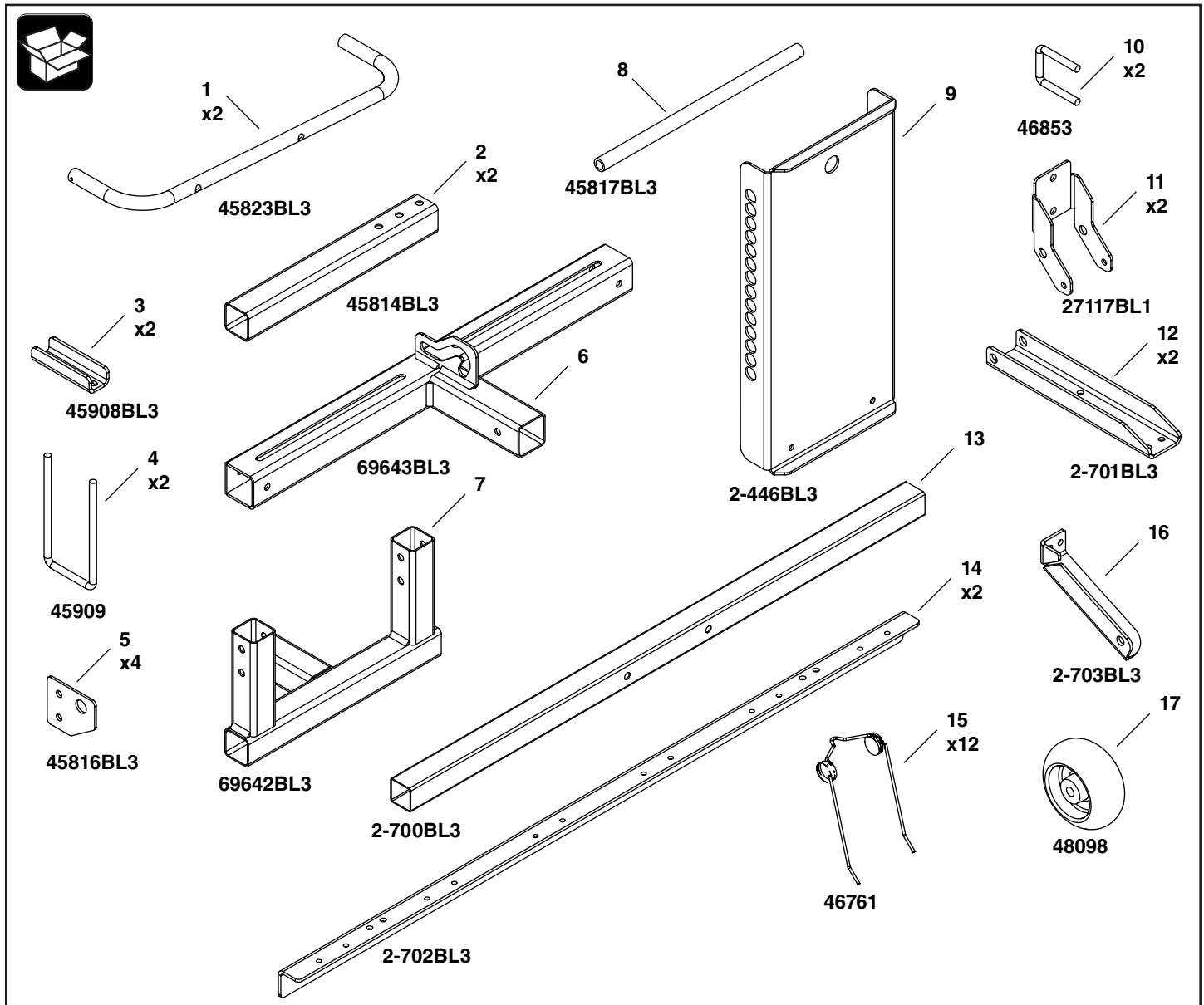


CAUTION: VEHICLE BRAKING AND STABILITY MAY BE AFFECTED WITH THE ADDITION OF AN ACCESSORY OR AN ATTACHMENT. BE AWARE OF CHANGING CONDITIONS ON SLOPES.

Exercise caution at all times when using power equipment.

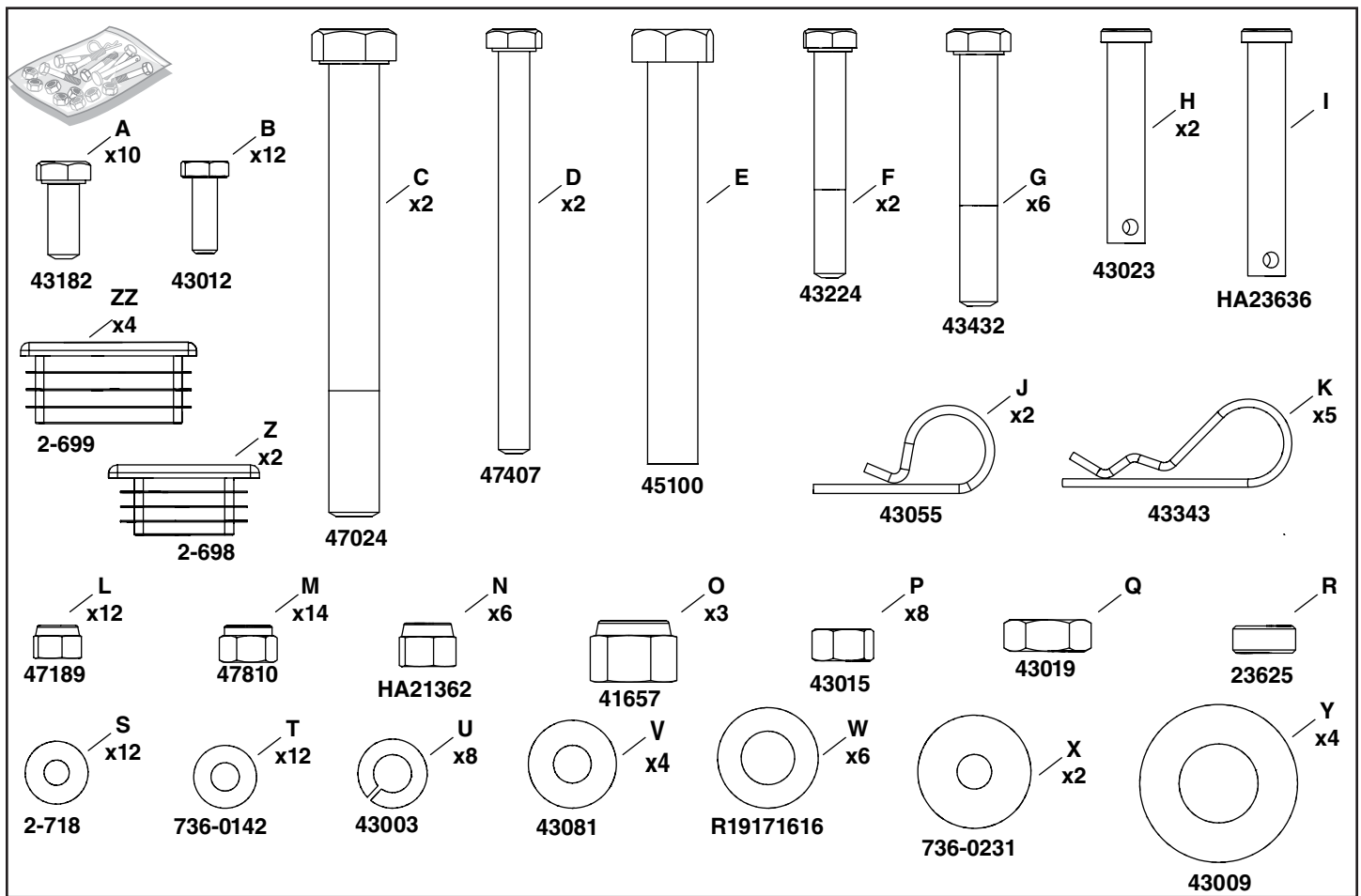
1. Read this owners manual carefully for operating and service instructions before attempting to assemble or operate this equipment. Be thoroughly familiar with the proper use of this equipment.
2. Read the vehicle owners manual and vehicle safety rules, and know how to operate the vehicle before using this equipment.
3. Never allow children to operate the tractor or dethatcher attachment, and do not allow adults to operate without proper instructions.
4. This dethatcher attachment has sharp tine points. Always handle with care and wear substantial foot wear when operating this dethatcher.
5. Do not allow anyone to ride or sit on dethatcher attachment frame or on towing vehicle.
6. Keep the area of operation clear of all persons, particularly small children, and also pets.
7. Always begin with the transmission in first (low) gear and engine at low speed, and gradually increase speed as conditions permit.
8. The vehicle braking and stability may be affected with the attachment of this equipment. Be aware of changing conditions on slopes. Refer to safety rules in the vehicle owner's manual concerning safe operation on slopes. **STAY OFF OF STEEP SLOPES.**
9. Always operate up and down a slope, never across the face of a slope
10. This equipment should be operated at reduced speed on rough terrain, along creeks and ditches and on hillsides, to prevent tipping and loss of control. Do not drive too close to a creek or a ditch.
11. Do not tow this equipment on a highway or any other public thoroughfare.
12. Follow the maintenance instructions as outlined in this owners manual.

CARTON CONTENTS - PARTS



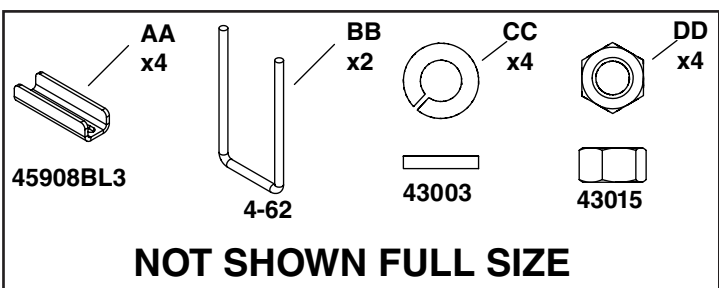
REF	QTY	PART NO	DESCRIPTION	REF	QTY	PART NO	DESCRIPTION
1	2	45823BL3	Push Tube	10	2	46853	Bolt, U Type 3/8"
2	2	45814BL3	Slider Tube	11	2	27117BL1	Mount Bracket
3	2	45908BL3	Mounting Bracket	12	2	2-701BL3	Lift Bracket
4	2	45909	U-Bolt, 7.0 X 3.5 X 3/8"	13	1	2-700BL3	Tube, Square 1.5" X 38"
5	4	45816BL3	Pivot Bracket	14	2	2-702BL3	Tine Mount Bracket
6	1	69643BL3	Hitch Mount Ass'y	15	12	46761	Thatcher Spring
7	1	69642BL3	Blade Mount Ass'y	16	1	2-703BL3	Wheel Mount Bracket
8	1	45817BL3	Pivot Shaft	17	1	48098	Anti-scalp Wheel
9	1	2-446BL3	Bulkhead				

CARTON CONTENTS - HARDWARE



REF	QTY	PART NO	DESCRIPTION	REF	QTY	PART NO	DESCRIPTION
A	10	43182	Bolt, Hex 5/16-18 X 3/4 GR5	O	3	41657	Nut, Hex 1/2-13 Nylock
B	12	43012	Bolt, Hex 1/4-20 X 3/4 GR5	P	8	43015	Nut, Hex 3/8-16
C	2	47024	Bolt, Hex 1/2-13 X 4-1/2 GR5	Q	1	43019	Nut, Hex 1/2-13 Jam
D	2	47407	Bolt, Hex 5/16-18 X 4 GR5	R	1	23625	Spacer, .380 ID X .620 OD X .27
E	1	45100	Bolt, Hex 1/2-13 X 4 GR5 FT	S	12	2-718	Washer, Rubber 5/8 OD X 1/4 ID
F	2	43224	Bolt, Hex 5/16-18 X 2-1/4 GR5	T	12	736-0142	Washer, .281 X .625 X .065
G	6	43432	Bolt, Hex 3/8-16 X 2-1/2 GR5	U	8	43003	Washer, Loc 3/8
H	2	43023	Pin, Clevis 3/8 X 2	V	4	43081	Washer, .375 X .875 X .083
I	1	HA23636	Pin, Clevis 3/8 X 2-1/4	W	6	R19171616	Washer, .531 X 1 X .059
J	2	43055	Pin, Hair 3/32 X 1.8	X	2	736-0231	Washer, .344 X 1.125 X .12
K	5	43343	Pin, Hair Cotter 3/32 X 2-5/16	Y	4	43009	Washer, .785 X 1.57 X .057
L	12	47189	Nut, Hex 1/4-20 Nylock	Z	2	2-698	Plug, Square 1.50"
M	14	47810	Nut, Hex .312-18 Nylock	ZZ	4	2-699	Plug, Square 1.75"
N	6	HA21362	Nut, Hex 3/8-16 Nylock				

CARTON CONTENTS - SPACER KIT



REF	QTY	PART NO	DESCRIPTION
AA	4	45908BL3	Bracket, Mounting
BB	2	4-62	U-Bolt, 8" x 3.5" x 3/8"
CC	4	43003	Washer, Lock 3/8"
DD	4	43015	Nut, Hex 3/8-16

NOT SHOWN FULL SIZE

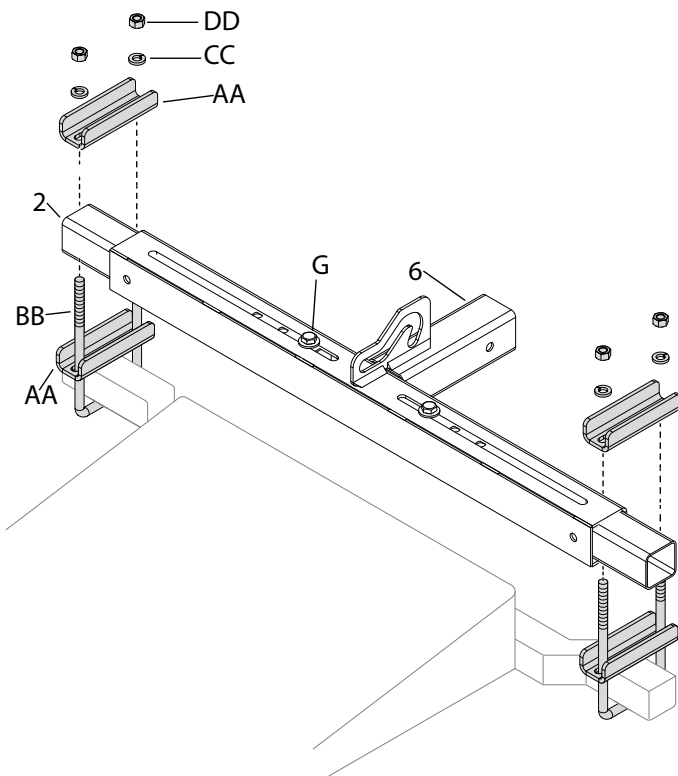
SPACER KIT ASSEMBLY

Depending on your mower, the included spacer kit may be required to ensure the hitch mount assembly attaches to your mower without interference. If you used the single or double spacer assembly on this page, skip to the instructions on page 7. If you don't need the spacers, start assembly using the instructions on page 6.

SINGLE SPACER ASSEMBLY

- Place mounting bracket (AA) flat onto zero turn front frame. Open side of bracket facing up.
- Place the hitch mount assembly (6) on the mounting bracket (AA)
- Using two U-bolts (BB) secure the hitch mount assembly (6) with two mounting brackets (AA), four washers (CC), and four hex nuts (DD). Do not tighten.
- If the slider tube does not fully extend into both U-bolts (BB), then loosen the appropriate hex bolt (G) and reposition the slider tube (2).
- Center the hitch mount assembly on the tractor frame.
- Tighten all hex bolts and hex nuts.

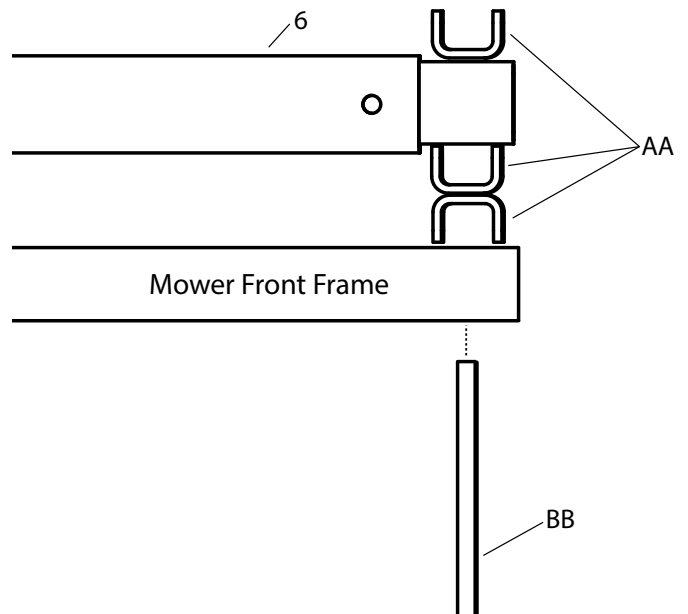
Note: Depending on your mower, U-bolts may need to be installed at an angle.



DOUBLE SPACER ASSEMBLY

- Place mounting bracket (AA) onto zero turn front frame. Open side of bracket facing down.
- Place second mounting bracket (AA) on top of the first mounting bracket (AA). Open side of bracket facing up.
- Place the hitch mount assembly (6) on the mounting brackets (AA)
- Using two U-bolts (BB) secure the hitch mount assembly (6) with two mounting brackets (AA), four washers (CC), and four hex nuts (DD). Do not tighten.
- If the slider tube does not fully extend into both U-bolts (BB), then loosen the appropriate hex bolt (G) and reposition the slider tube (2).
- Center the hitch mount assembly on the tractor frame.
- Tighten all hex bolts and hex nuts.

Note: Depending on your mower, U-bolts may need to be installed at an angle.



Scan me for fitup chart!



ASSEMBLY INSTRUCTIONS

TOOLS REQUIRED FOR ASSEMBLY

- (2) Adjustable Wrench
- (2) 7/16" Wrenches
- (2) 1/2" Wrenches
- (2) 9/16" Wrenches
- (1) Rubber Mallet

Lay out and identify the parts and hardware using the illustrations on page 3 and page 4.

ASSEMBLE THE HITCH MOUNT ASSEMBLY

STEP 1: (SEE FIGURE 1)

- Insert a slider tube (2) into each end of the hitch mount assembly (6).
- Attach the slider tube to the hitch mount assembly using two hex bolts (G), four washers (V), and two Nylock hex nuts (N). Do not tighten.

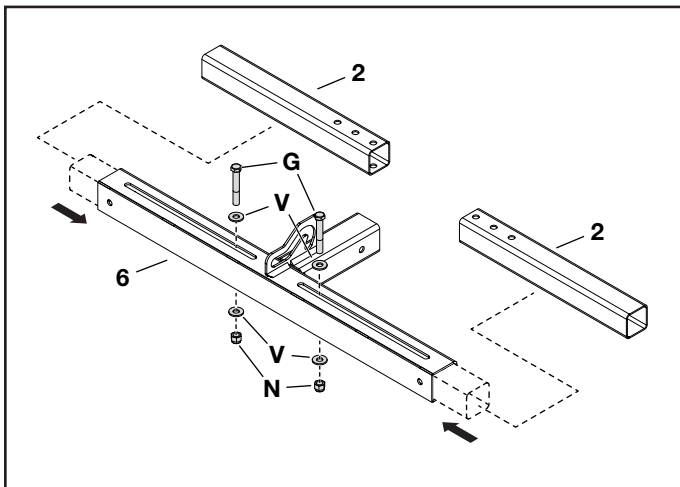


FIGURE 1

STEP 2: (SEE FIGURE 2)

- Attach the hitch mount assembly (6) to the tractor frame using two U-bolts (4) secured with two mounting brackets (3), four washers (U), and four hex nuts (P). Do not tighten.
- If the slider tube does not fully extend into both U-bolts (4), then loosen the appropriate hex bolt (G) and reposition the slider tube (2).
- Center the hitch mount assembly on the tractor frame.
- Tighten all hex bolts and hex nuts.

Note: Depending on your mower, U-bolts may need to be installed at an angle.

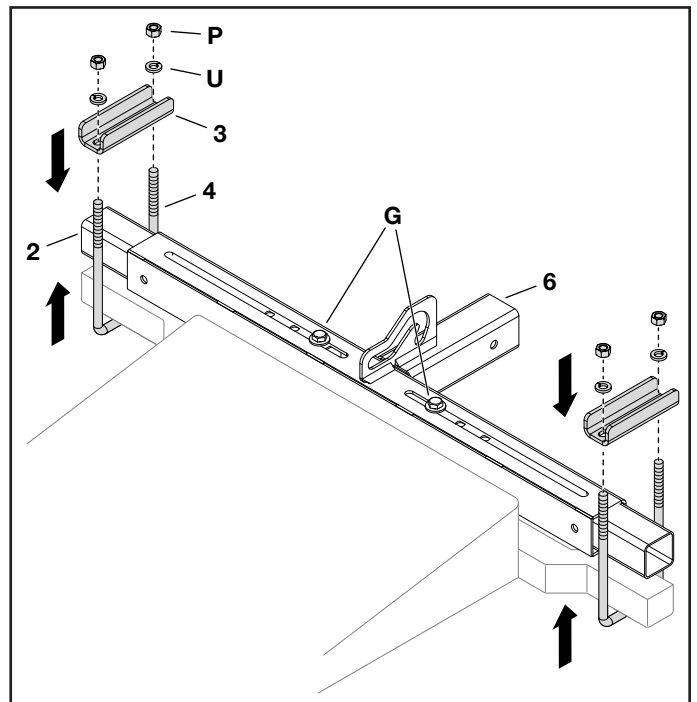


FIGURE 2

ASSEMBLE THE BLADE MOUNT ASSEMBLY

STEP 3: (SEE FIGURE 3)

- Attach four pivot brackets (5) to the blade mount assembly (7) using four hex bolts (G) and Nylock hex nuts (N).
- To help align the pivot brackets (5), temporarily insert the pivot shaft (8) through the holes in the pivot brackets.
- Remove the pivot shaft (8) once the pivot brackets (5) are securely attached to the blade mount assembly (7).

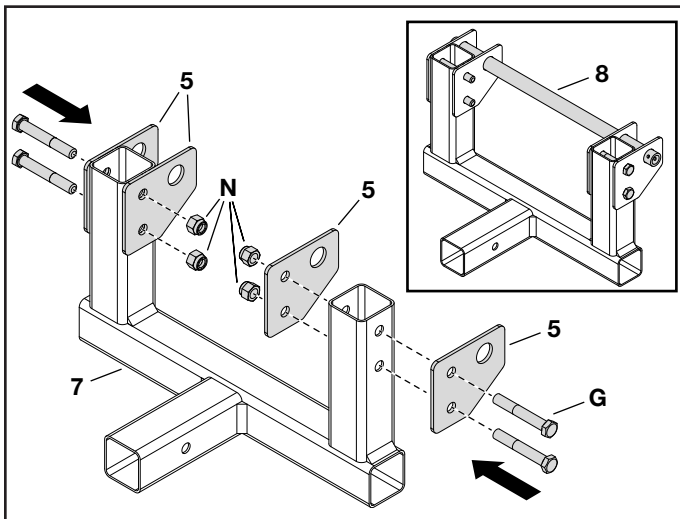


FIGURE 3

ATTACH THE BLADE MOUNT ASSEMBLY TO THE HITCH MOUNT ASSEMBLY

STEP 4: (SEE FIGURE 4)

- Insert the blade mount assembly (7) into the hitch mount assembly tube (6).
- Secure with a clevis pin (I) and a hair cotter pin (K).
- Insert the square plugs (ZZ) into the blade mount assembly (7). Use a rubber mallet for difficult to install square plugs.

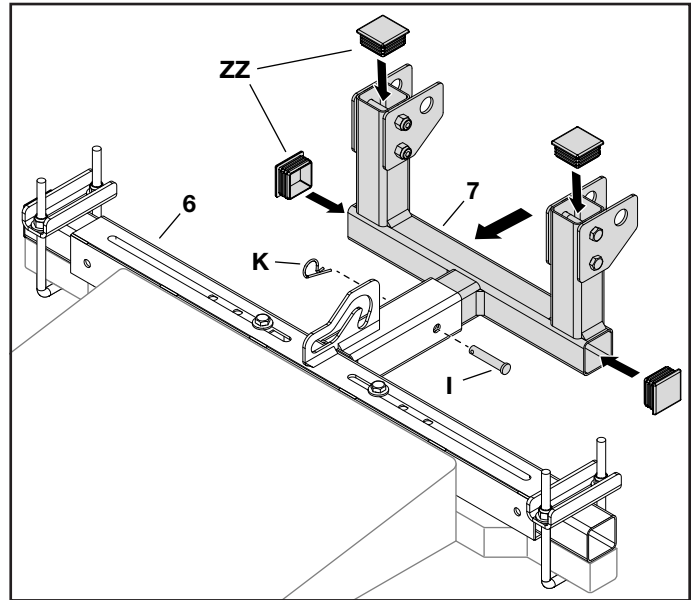


FIGURE 4

ATTACH THE BULKHEAD TO THE BLADE MOUNT ASSEMBLY

STEP 5: (SEE FIGURE 5)

- Insert the pivot shaft (8) through the two sets of pivot brackets (5) of the blade mount assembly (7). For now, use the 5th hole from the top in each side of the bulkhead (9).
- Secure each end of the pivot shaft (8) using a washer (Y) and a hair cotter pin (K).

Note: For final height adjustments go to page 12.

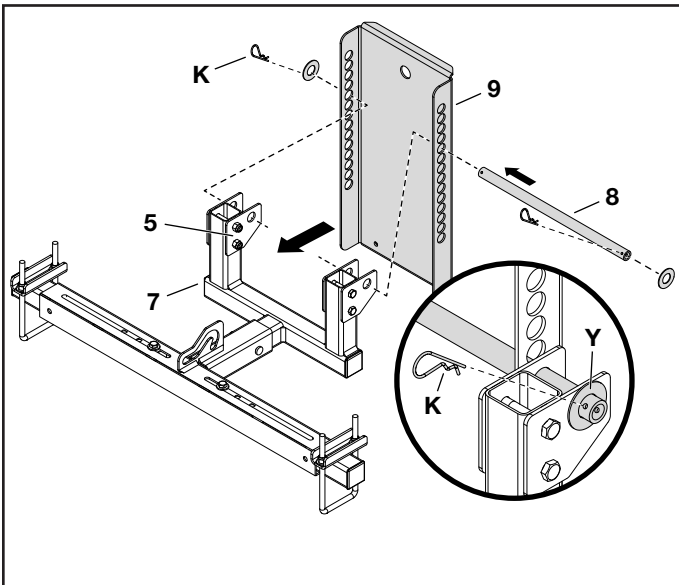


FIGURE 5

ATTACH PUSH TUBES TO THE BULKHEAD

STEP 6: (SEE FIGURE 6)

- With a push tube (1) level to the hitch mount assembly (6), insert the end of the push tube into the 9th hole from the top of the bulkhead (9) for now.
- Repeat with the second push tube (1).
- Secure each push tube (1) to the bulkhead (9) using a washer (Y) and hair cotter pin (K).

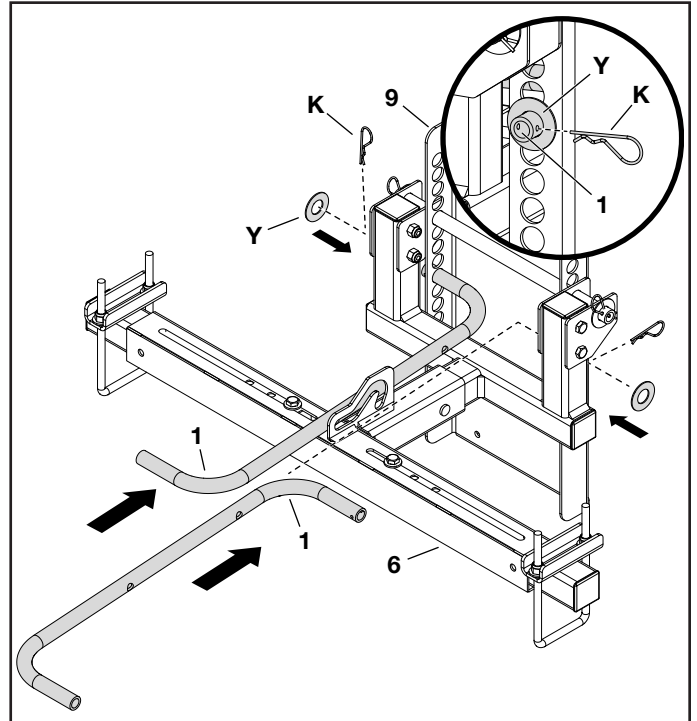


FIGURE 6

STEP 7: (SEE FIGURE 7)

- Attach the two push tubes (1) together using a clevis pin (H) and a spacer (R) between the push tubes at the end closest to the bulkhead (9).
- Insert a second clevis pin (H) through the opposite side of the push tubes at the end furthest from the bulkhead (9).
- Secure each clevis pin using a hair cotter pin (J).

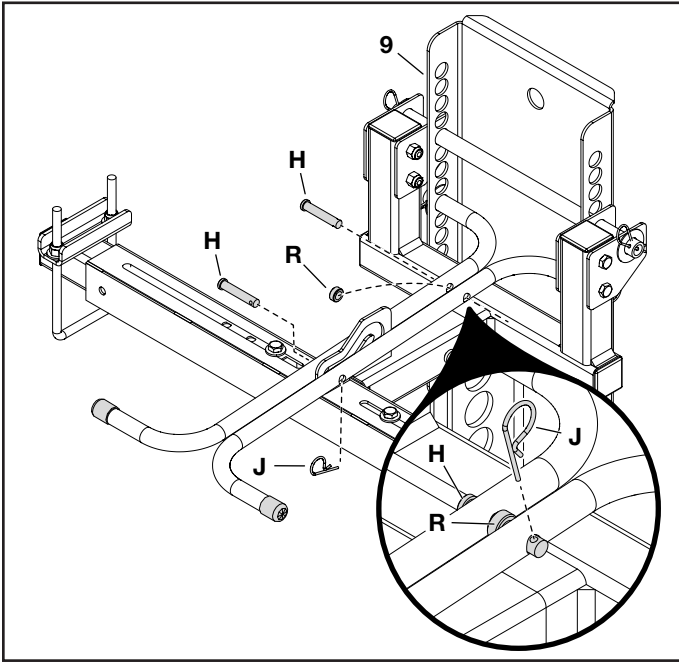


FIGURE 7

ASSEMBLE SQUARE TUBE TO BULKHEAD

STEP 8: (SEE FIGURE 8)

- Attach the square tube (13) to the bulkhead (9) using two hex bolts (F), washers (X) and hex nuts (M).
- Insert the two square plugs (Z) into the square tube.

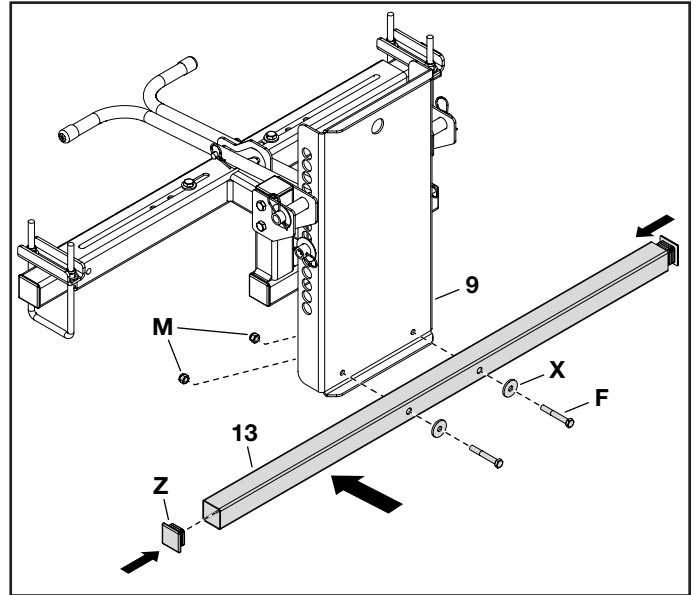


FIGURE 8

ATTACH MOUNTING BRACKETS

STEP 9: (SEE FIGURE 9)

- Attach mounting brackets (11) to the square tube (13) using two U-bolts (10).
- Secure the U-bolts about 3 inches from end of square tube (13) with four washers (U) and four hex nuts (P).

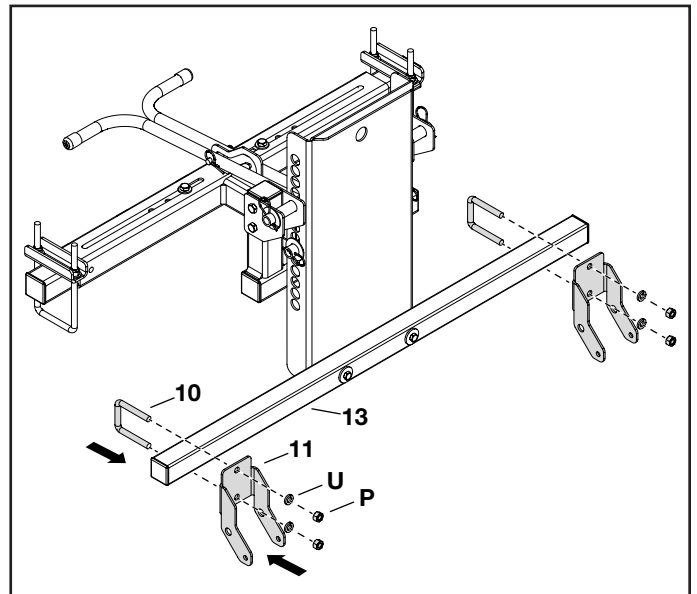


FIGURE 9

ATTACH LIFT BRACKETS TO MOUNTING BRACKETS

STEP 10: (SEE FIGURE 10)

- Attach the two lift brackets (12) to the two mounting brackets (11) using two hex bolts (C) four washers (W) and two Nylock hex nuts (O).
- Install the two hex bolts (D) with two Nylock hex nuts (M) below the lift bracket so that the lift bracket rests on hex bolt (D).

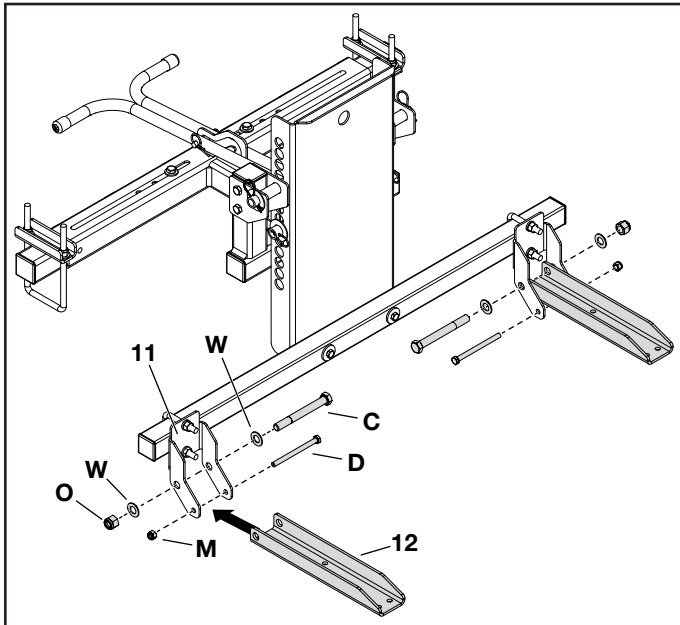


FIGURE 10

ASSEMBLE THATCHER SPRINGS TO TINE MOUNT BRACKET

STEP 11:

- On one tine mount bracket (14), attach six thatcher springs (15) using six hex bolts (B), six washers (T), and six rubber washers (S). See figure 11a.
- Secure hex bolts (B) and washers using six Nylock hex nuts (L). Part L should be flush with the end of bolt.
- On second tine mount bracket, attach six thatcher springs (15) in a staggered pattern from first tine mount bracket using six hex bolts (B), six washers (T), and six rubber washers (S). This will ensure the thatcher springs (15) are not directly in front of tines on first tine mount bracket. See figure 11b.
- Secure hex bolts (B) and washers using six Nylock hex nuts (L). Part L should be flush with the end of bolt.

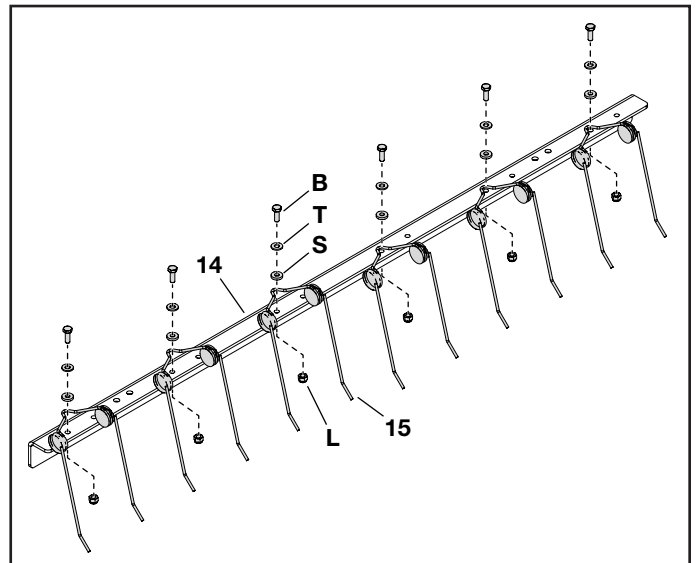


FIGURE 11a

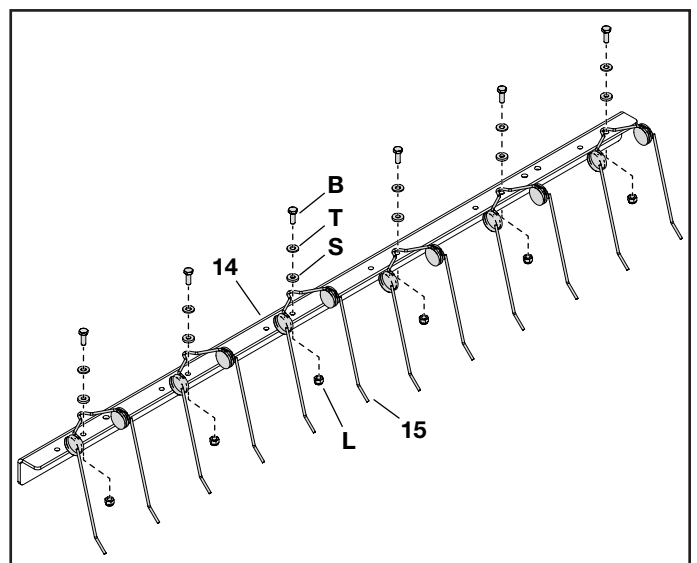


FIGURE 11b

ATTACH TINE MOUNT BRACKET ASSEMBLY TO LIFT BRACKETS

STEP 12: (SEE FIGURE 12)

- Attach inner tine mount bracket assembly (14) to the lift brackets (12) with four hex bolts (A).
- Secure the hex bolts with four Nylock nuts (M).
- Repeat for the outer tine mount bracket assembly (14).

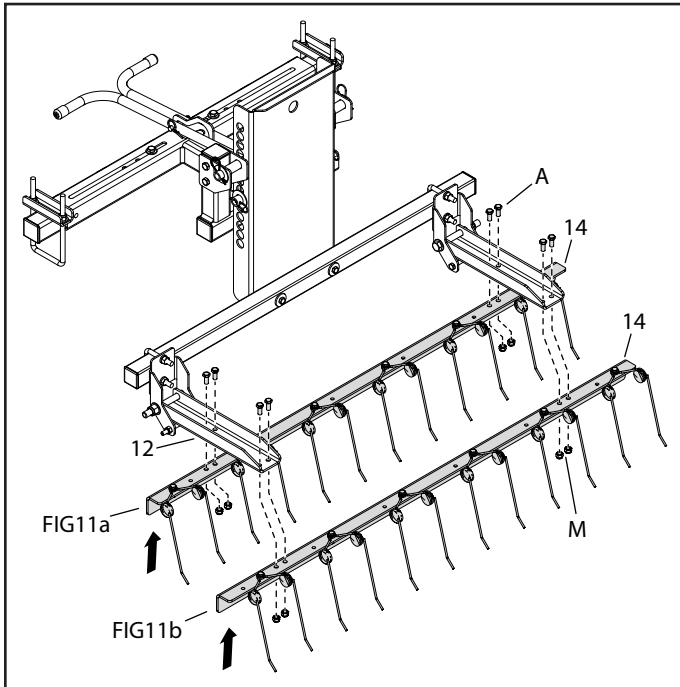


FIGURE 12

ASSEMBLE AND ATTACH THE WHEEL

STEP 13: (SEE FIGURE 13)

- Attach the wheel mount bracket (16) to the front tine mount bracket assembly (14) with two hex bolts (A).
- Secure the hex bolts with two Nylock nuts (M).

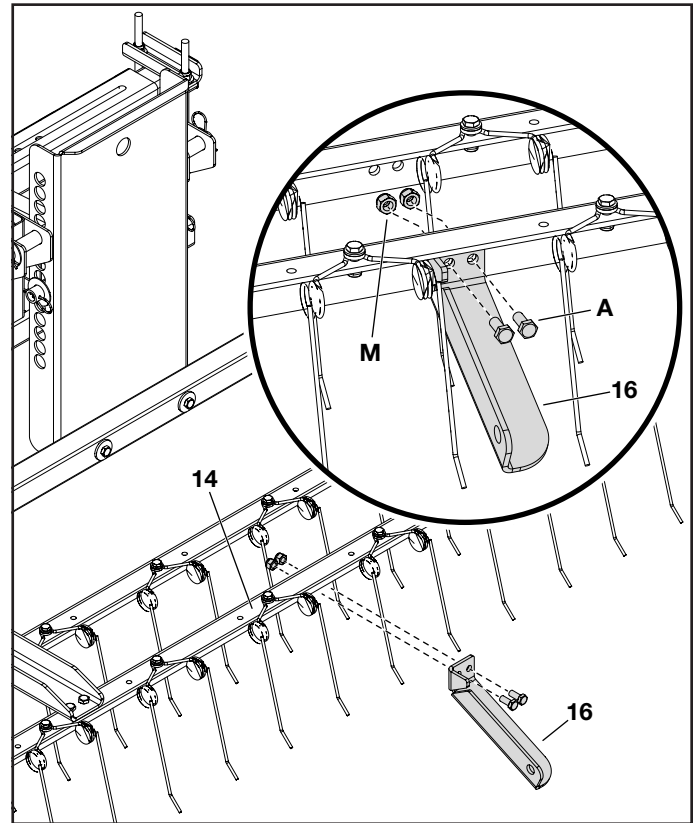


FIGURE 13

STEP 14: (SEE FIGURE 14)

- Attach the wheel (17) to the wheel mount bracket (16) using a hex bolt (E), two washers (W), a hex nut (Q), and a Nylock hex nut (O). Make sure longer wheel hub is facing the wheel mount bracket (16).
- Tighten, but not too tight. The wheel should rotate easily.

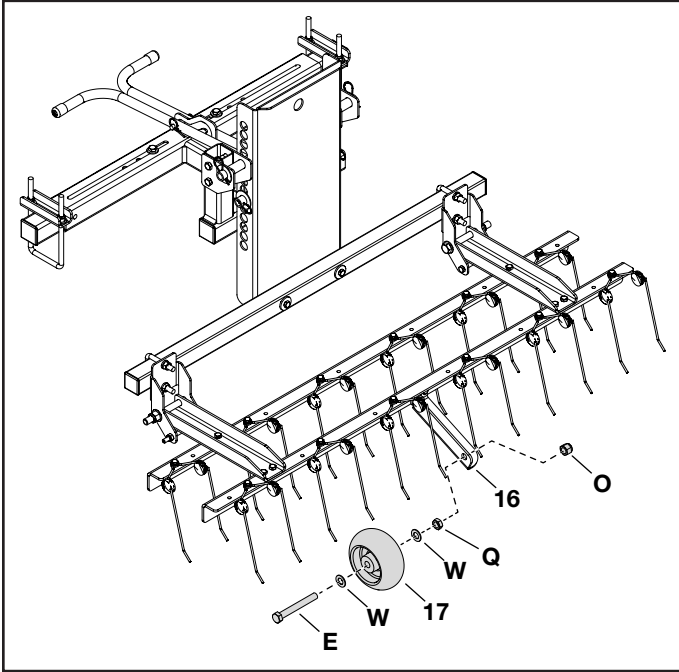


FIGURE 14

ADJUST THE DETHATCHER HEIGHT

NOTE: If using the dethatcher on uneven terrain, raise the dethatcher assembly one hole higher to prevent damage to the unit.

1. Engage the dethatcher assembly so that the wheel is on the ground (see "Disengage the Dethatcher Assembly" on page 14).
2. Remove the hair cotter pins (K) and washers (Y) securing the push tubes and pivot tube to the bulkhead. Retain for reassembly.
3. Remove the hair cotter pins (J), clevis pins (H), and spacer (R) securing the push tubes together. Retain for reassembly.
4. Remove the push tubes and pivot tube from the bulkhead holes. Retain for reassembly.
5. Raise or lower the bulkhead so the tines are at least 1/4 inch above the soil and then install the pivot tube at the desired height.
6. Secure the pivot tube to the bulkhead using the removed washers (Y) and hair cotter pins (K). See Figure 15 below.
7. Reinstall the push tubes in the 4th hole down from the pivot tube.
8. Secure the push tubes to the bulkhead using the removed washers (Y) and hair cotter pins (K). See Figure 15 below.
9. Reassemble the push tubes and secure with the removed spacer (R), clevis pins (H), and hair cotter pins (J). (See STEP 7 on page 9 for instructions.)

Note: Pivot tube and push tubes should be installed with 3 open holes between them.

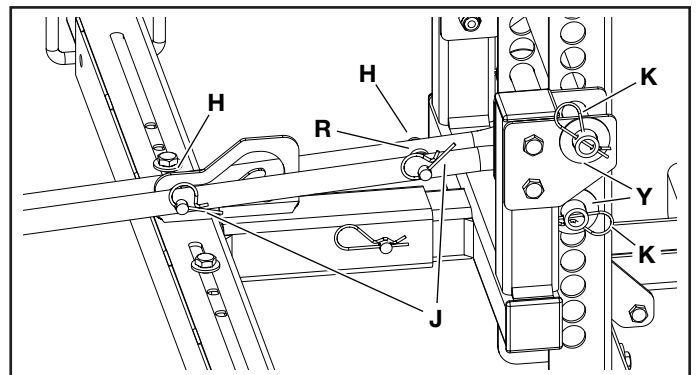


FIGURE 15

OPERATION



CAUTION: Failure to obey the following cautions could result in personal injury or product damage:

- Securely position your feet on the push tube handles when engaging or disengaging the dethatcher.
- Do **NOT** take your feet off the push tube handles until the dethatcher is either fully locked into the disengage position or fully released to the engage position.
- Do **NOT** allow the dethatcher to fall over when upright.

Take care when operating your dethatcher. Operating your dethatcher according to these instructions will help prevent damage and prolong the life of your dethatcher.

- Refer to the vehicle owners manual for instructions on safe operation on slopes.
- The maximum pushing speed for this dethatcher assembly is 7 m.p.h.
- Watch out for exposed tree roots, as they can cause damage to the dethatcher.
- For best results, always mow the grass to an even height before using the dethatcher.

ENGAGE THE DETHATCHER ASSEMBLY

1. Sit on the tractor so that your feet can reach the push tube handles.
2. When engaging the dethatcher assembly, be prepared for the weight of the dethatcher to push against your feet.
3. Use your feet to slightly push and lift the push tube handles until the tines of the dethatcher and the wheel are on the ground.

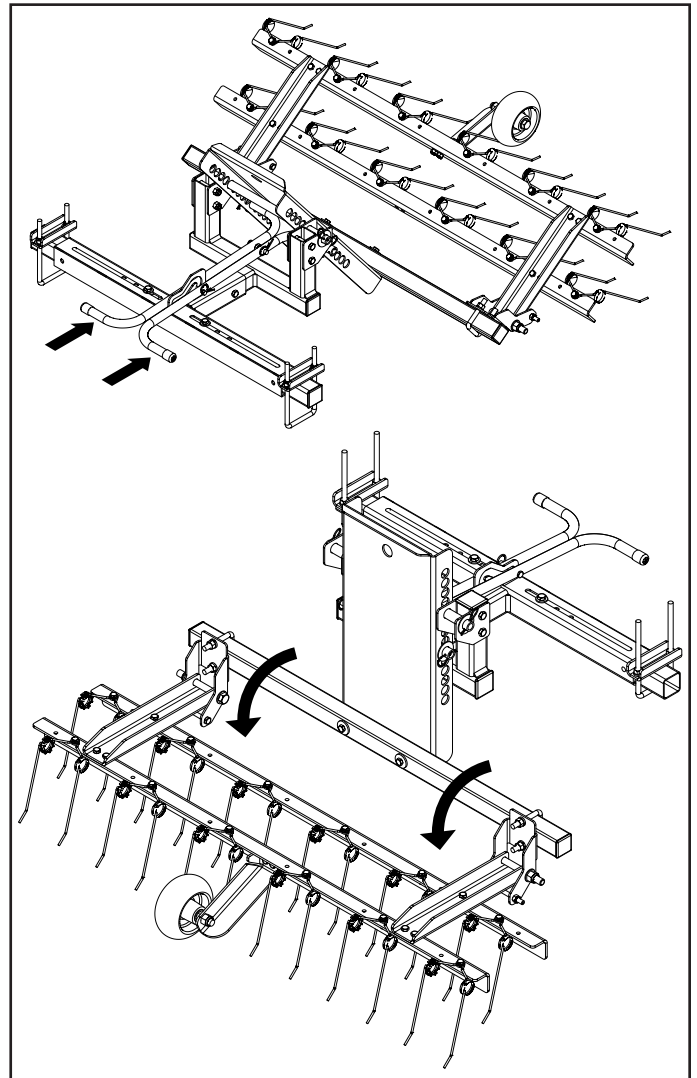


FIGURE 16

DISENGAGE THE DETHATCHER ASSEMBLY

1. Sit on the tractor so that your feet can reach the push tube handles.
2. When disengaging the dethatcher, be prepared to push the weight of the dethatcher.
3. Use your feet to push the push tube handles until the tines of the dethatcher and the wheel lifts off the ground and the clevis pin (H) locks into place.

Note: For easier disengagement reverse mower 1 foot.

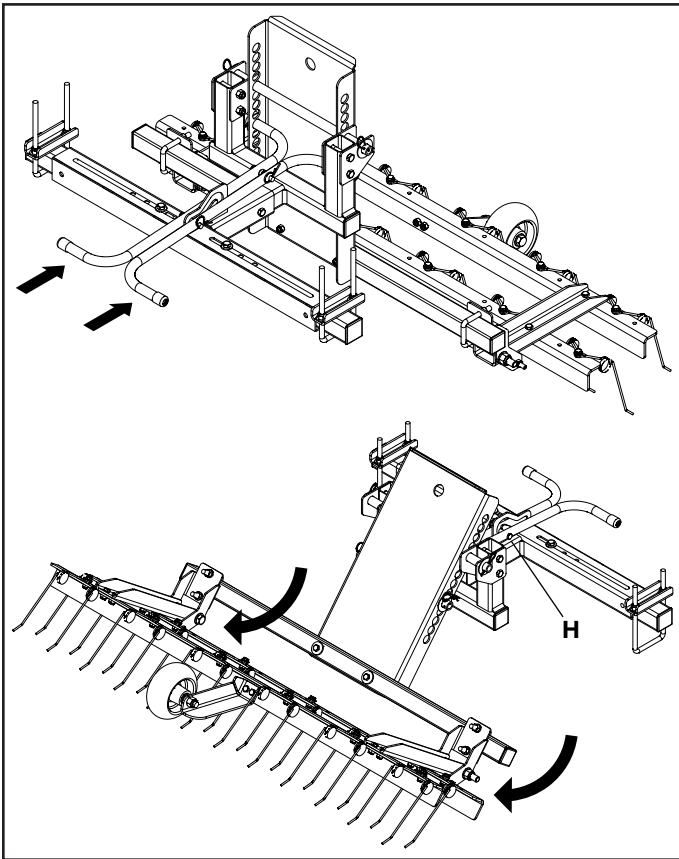


FIGURE 17

STORAGE

To store, remove the dethatcher assembly from the hitch mount assembly.

- Engage the dethatcher so that the wheel is on the ground. (See "Engage the Dethatcher Assembly" on page 13 for instructions.)
- Remove the hair cotter pin (J) and clevis pin (H) from the push tubes at the end furthest from the bulkhead.
- Remove the hair cotter pin (K) and clevis pin (I) that attaches the blade mount assembly (7) to the hitch mount assembly (6).
- Pull the dethatcher assembly to slide the blade mount assembly (7) out of the hitch mount assembly tube (6).
- Hang the dethatcher assembly on the wall to store.

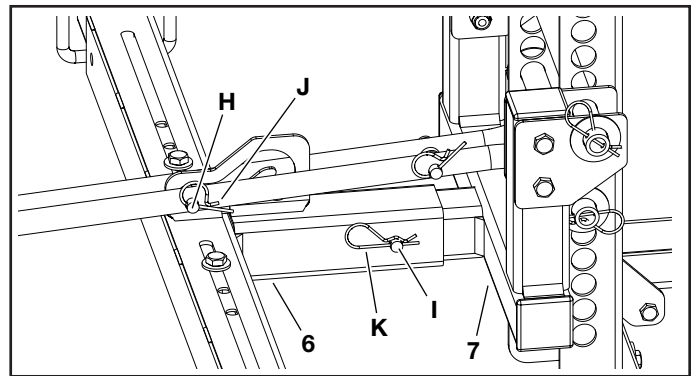


FIGURE 18

MAINTENANCE

- Always clean the thatcher spring assembly after each use. Damp or wet grass and leaves will cause damage to the thatcher spring assembly if stored for long periods of time.
- Check periodically for loose bolts.
- At the beginning of each season, using a light machine oil, lubricate the pivot points.

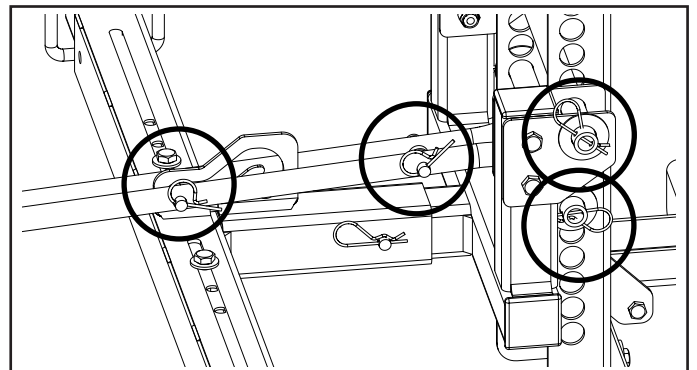
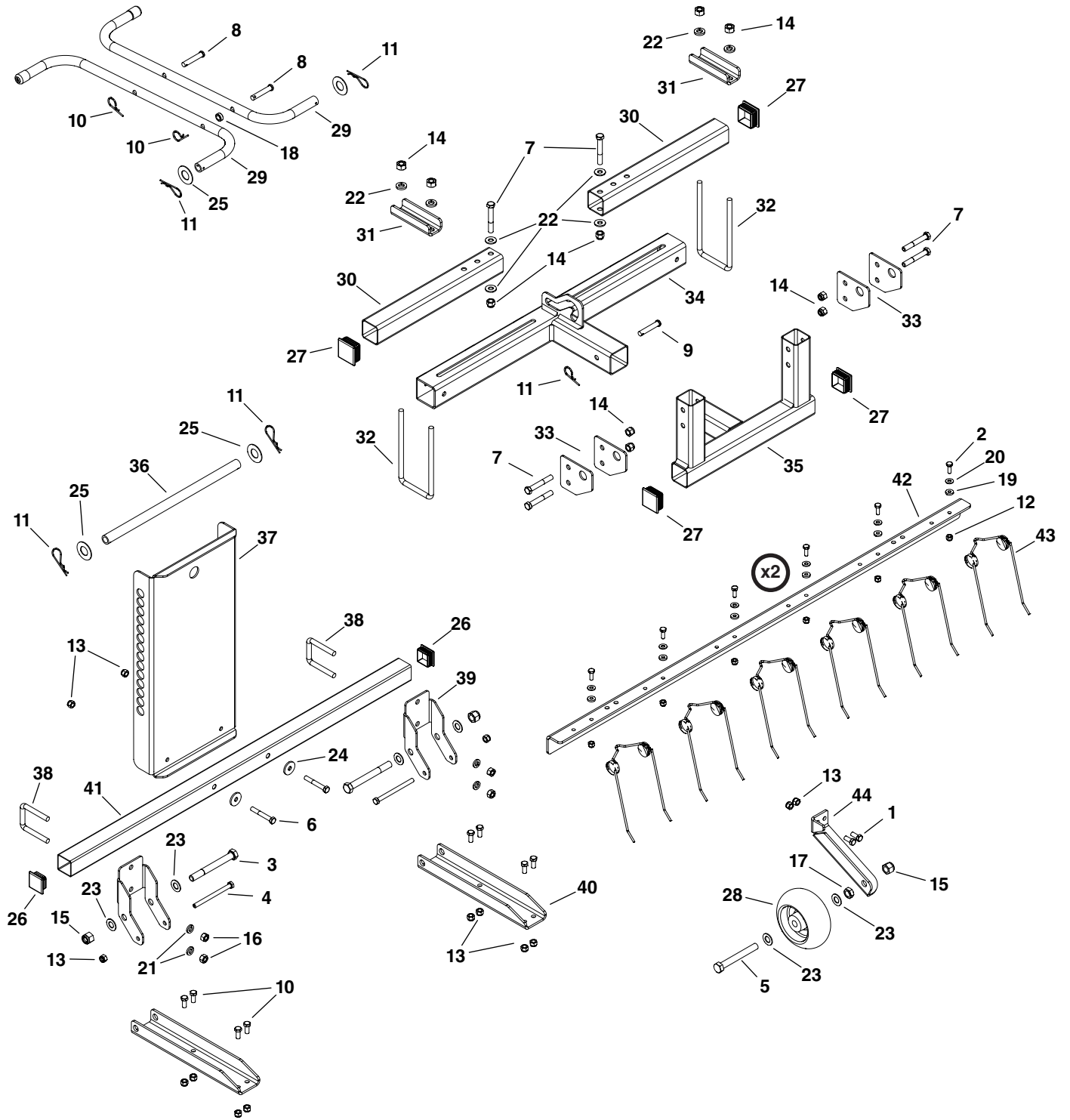


FIGURE 19

REPAIR PARTS FOR 45-0629 ZERO TURN DETHATCHER



REPAIR PARTS FOR 45-0629 ZERO TURN DETHATCHER

REF	QTY	PART NO	DESCRIPTION	REF	QTY	PART NO	DESCRIPTION
1	10	43182	Bolt, Hex 5/16-18 X 3/4 GR5	25	4	43009	Washer, .785 X 1.57 X .057
2	12	43012	Bolt, Hex 1/4-20 X 3/4 GR5	26	2	2-698	Plug, Square 1.50"
3	2	47024	Bolt, Hex 1/2-13 X 4-1/2 GR5	27	4	2-699	Plug, Square 1.75"
4	2	47407	Bolt, Hex 5/16-18 X 4 GR5	28	1	48098	Anti-scalp Wheel
5	1	45100	Bolt, Hex 1/2-13 X 4 GR5 FT	29	2	45823BL3	Push Tube
6	2	43224	Bolt, Hex 5/16-18 X 2-1/4 GR5	30	2	45814BL3	Slider Tube
7	6	43432	Bolt, Hex 3/8-16 X 2-1/2 GR5	31	6	45908BL3	Mounting Bracket
8	2	43023	Pin, Clevis 3/8 X 2	32	2	45909	U-Bolt, 7.0 X 3.5 X 3/8"
9	1	HA23636	Pin, Clevis 3/8 X 2-1/4	33	4	45816BL3	Pivot Bracket
10	2	43055	Pin, Hair 3/32 X 1.8	34	1	69643BL3	Hitch Mount Ass'y
11	5	43343	Pin, Hair Cotter 3/32 X 2-5/16	35	1	69642BL3	Blade Mount Ass'y
12	12	47189	Nut, Hex 1/4-20 Nylock	36	1	45817BL3	Pivot Shaft
13	14	47810	Nut, Hex .312-18 Nylock	37	1	2-446BL3	Bulkhead
14	6	HA21362	Nut, Hex 3/8-16 Nylock	38	2	46853	Bolt, U Type 3/8"
15	3	41657	Nut, Hex 1/2-13 Nylock	39	2	27117BL1	Mount Bracket
16	12	43015	Nut, Hex 3/8-16	40	2	2-701BL3	Lift Bracket
17	1	43019	Nut, Hex 1/2-13 Jam	41	1	2-700BL3	Tube, Square 1.5" X 38"
18	1	23625	Spacer, .380 ID X .620 OD X .27	42	2	2-702BL3	Tine Mount Bracket
19	12	2-718	Washer, Rubber 5/8 OD X 1/4 ID	43	12	46761	Thatcher Spring
20	12	736-0142	Washer, .281 X .625 X .065	44	1	2-703BL3	Wheel Mount Bracket
21	12	43003	Washer, Loc 3/8	45	2	4-62	U-Bolt. 8" x 3.5" x 3/8" (not shown)
22	4	43081	Washer, .375 X .875 X .083	46	1	3-380	Owners Manual
23	6	R19171616	Washer, .531 X 1 X .059				
24	2	736-0231	Washer, .344 X 1.125 X .12				

RÈGLES DE SÉCURITÉ

N'oubliez pas que tout équipement peut causer des blessures s'il est utilisé de manière incorrecte ou si l'utilisateur ne comprend pas comment l'utiliser. Faites preuve de prudence à tout moment lorsque vous utilisez cet équipement.



RECHERCHEZ CE SYMBOLE POUR SIGNALER D'IMPORTANTES PRÉCAUTIONS DE SÉCURITÉ. IL SIGNIFIE - FAITES ATTENTION! SOYEZ ALERTE! VOTRE SÉCURITÉ EST EN JEU.



ATTENTION : LE FREINAGE ET LA STABILITÉ DU VÉHICULE PEUVENT ÊTRE AFFECTÉS PAR L'AJOUT D'UN ACCESSOIRE OU D'UNE FIXATION. SOYEZ ATTENTIF AUX CHANGEMENTS DE CONDITIONS SUR LES PENTES.

Faites preuve de prudence à tout moment lorsque vous utilisez cet équipement électrique.

10. Lisez attentivement ce manuel du propriétaire pour connaître les instructions d'utilisation et d'entretien avant d'essayer d'assembler ou d'utiliser cet équipement. Soyez parfaitement familiarisé avec l'utilisation correcte de cet équipement.
11. Lisez le manuel du propriétaire du véhicule et les règles de sécurité du véhicule, et sachez comment utiliser le véhicule avant d'utiliser cet équipement.
12. Ne laissez jamais les enfants utiliser le tracteur ou l'accessoire de déchaumage, et ne laissez pas les adultes l'utiliser sans instructions appropriées.
13. Cet accessoire de déchaumage a des dents acérées. Manipulez toujours avec précaution et portez des chaussures adaptées lorsque vous utilisez cette déchaumeuse.
14. Ne laissez personne monter ou s'asseoir sur le cadre de l'accessoire de déchaumage ou sur le véhicule de remorquage.
15. Maintenez la zone d'utilisation à l'écart de toute personne, en particulier des jeunes enfants, ainsi que des animaux domestiques.
16. Commencez toujours avec la transmission en première vitesse (basse) et le moteur à bas régime, et augmentez progressivement la vitesse lorsque les conditions le permettent.
17. Le freinage et la stabilité du véhicule peuvent être affectés par la fixation de cet équipement. Soyez attentif aux changements de conditions sur les pentes. Reportez-vous aux règles de sécurité du manuel du propriétaire du véhicule concernant la conduite en toute sécurité sur les pentes. **RESTEZ À L'ÉCART DES PENTES RAIDES.**
18. Toujours travailler en amont et en aval d'une pente, jamais en travers de celle-ci.
19. Cet équipement doit être utilisé à vitesse réduite sur les terrains accidentés, le long des ruisseaux et des fossés et sur les pentes, afin d'éviter le basculement et la perte de contrôle. Ne conduisez pas trop près d'un ruisseau ou d'un fossé.
20. Ne remorquez pas cet équipement sur une autoroute ou toute autre voie publique.
21. Suivez les instructions d'entretien décrites dans ce manuel du propriétaire.

ASSEMBLAGE DE L'ENSEMBLE D'ENTRETOISE

En fonction de votre tondeuse, le kit d'entretoise inclus peut être nécessaire pour s'assurer que le montage de l'attelage se fixe à votre tondeuse sans interférence.

ASSEMBLAGE D'ENTRETOISE SIMPLE

Placer le support de montage (AA) à plat sur le cadre avant du rayon zero. Ouvrir le côté du support vers le haut.

Placer l'ensemble du montage d'attelage (6) sur le support de fixation (AA)

À l'aide de deux boulons en U (BB), fixez l'ensemble du montage d'attelage (6) avec deux supports de fixation (AA), quatre rondelles (CC) et quatre écrous hexagonaux (DD). Ne serrez pas.

Si le tube à glissière n'entre pas complètement dans les deux boulons en U (BB), desserrez le boulon à six pans approprié (G) et repositionnez le tube à glissière (2).

Centrez l'assemblage du montage d'attelage sur le cadre du tracteur.

Serrez tous les boulons à six pans et les écrous à six pans.

Remarque : En fonction de votre tondeuse, il peut être nécessaire d'installer les boulons en U à un certain angle.

ASSEMBLAGE D'ENTRETOISE DOUBLE

Placer le support de montage (AA) sur le cadre avant du rayon zero. Ouvrir le côté du support vers le bas.

Placer le deuxième support de fixation (AA) sur le premier support de fixation (AA). Ouvrir le côté du support vers le haut.

Placer l'ensemble du montage d'attelage (6) sur le support de fixation (AA)

À l'aide de deux boulons en U (BB), fixez l'ensemble du montage d'attelage (6) avec deux supports de fixation (AA), quatre rondelles (CC) et quatre écrous hexagonaux (DD). Ne serrez pas.

Si le tube à glissière n'entre pas complètement dans les deux boulons en U (BB), desserrez le boulon à six pans approprié (G) et repositionnez le tube à glissière (2).

Centrez l'assemblage du montage d'attelage sur le cadre du tracteur.

Serrez tous les boulons à six pans et les écrous à six pans.

Remarque : En fonction de votre tondeuse, il peut être nécessaire d'installer les boulons en U à un certain angle.

INSTRUCTIONS D'ASSEMBLAGE

OUTILS REQUIS POUR L'ASSEMBLAGE

- (1) Clé réglable
- (2) Clés 7/16 po
- (2) Clés 1/2 po
- (2) Clés 9/16 po

Disposez et identifiez les pièces et le matériel à l'aide des illustrations à la page 3 et la page 4

ASSEMBLER LE MONTAGE D'ATTELAGE

ÉTAPE 1: (VOIR FIGURE 1)

- Insérez un tube à glissière (2) dans chaque embout de l'assemblage du montage d'attelage (6).
- Fixez le tube à glissière à l'assemblage du montage d'attelage à l'aide des deux écrous hexagonaux (G), quatre rondelles (V) et deux écrous à six pans Nylock (N). Ne pas serrer.

ÉTAPE 2: (VOIR FIGURE 2)

- Fixez l'assemblage du montage d'attelage (6) au cadre du tracteur à l'aide de deux boulons en U (4) soutenus par deux supports de montage (3), quatre rondelles (U) et quatre écrous à six pans Nylock (P). Ne pas serrer.
- Si le tube à glissière n'entre pas complètement dans les deux boulons en U (4), desserrez le boulon à six pans approprié (G) et repositionnez le tube à glissière (2).
- Centrez l'assemblage du montage d'attelage sur le cadre du tracteur.
- Serrez tous les boulons à six pans et les écrous à six pans.

ASSEMBLER LE MONTAGE DE LAME

ÉTAPE 3: (VOIR FIGURE 3)

- Fixez les quatre supports à pivot (5) à l'assemblage du montage de la lame (7) à l'aide de quatre boulons à 6 pans (G) et écrous à six pans (N).
- Pour faciliter l'alignement des supports de pivot (5), insérez temporairement l'arbre de pivot (8) dans les trous des supports de pivot.
- Retirez l'arbre pivot (8) une fois que les supports de pivot (5) sont solidement fixés à l'ensemble de montage de la lame (7).

FIXER L'ASSEMBLAGE DU MONTAGE DE LAME À L'ASSEMBLAGE DU MONTAGE D'ATTELAGE

ÉTAPE 4: (VOIR FIGURE 4)

- Insérez l'ensemble de montage de la lame (7) dans le tube de l'ensemble de montage de l'attelage (6).
- Fixez avec un axe à épaulement (I) et une goupille bêta (K).
- Insérez les bouchons carrés (ZZ) dans l'ensemble de montage de la lame (7).

FIXER LA CLOISON À L'ASSEMBLAGE DU MONTAGE DE LAME

ÉTAPE 5: (VOIR FIGURE 5)

- Insérez l'arbre de pivot (8) à travers les deux jeux de supports de pivot (5) de l'assemblage de montage de la lame (7) et les trous de la cloison (9).

REMARQUE : Les trous à utiliser dans la cloison sont déterminés par la hauteur de votre tracteur.

- Fixez chaque extrémité de l'arbre pivot (8) à l'aide d'une rondelle (Y) et d'une goupille bêta (K).

FIXER LES TUBES À POUSSÉE À LA CLOISON

ÉTAPE 6: (VOIR FIGURE 6)

- Avec un tube de poussée (1) au niveau de l'assemblage de montage de l'attelage (6), insérez l'extrémité non recouverte du tube de poussée dans le trou de la cloison (9) à cette hauteur.
- Répétez avec le second tube de poussée (1).
- Fixez chaque tube de poussée (1) à la cloison (9) à l'aide d'une rondelle (Y) et d'une goupille bêta (K).

ÉTAPE 7: (VOIR FIGURE 7)

- Fixez les deux tubes à poussée (1) ensemble à l'aide d'un axe d'épaulement (H) et d'un espaceur (R) entre les tubes à poussée à l'extrémité la plus proche de la cloison (9).
- Insérez un second axe d'épaulement (H) dans le côté opposé des tubes de poussée, à l'extrémité la plus éloignée de la cloison (9).
- Fixez chaque axe d'épaulement à l'aide d'une goupille bêta (J).

Remarque : Nous recommandons que les deux goupilles bêta (P) se trouvent sur les côtés opposés des tubes à poussée (1).

ASSEMBLER LE TUBE À ANGLE DROIT À LA CLOISON

ÉTAPE 8: (VOIR FIGURE 8)

- Fixez le tube à angle droit (13) à la cloison (9) à l'aide de deux boulons à six pans (F), des rondelles (X) et des écrous à six pans (M).
- Insérez deux bouchons à angle droit (Z) dans le tube à angle droit.

FIXER LES SUPPORTS DE MONTAGE

ÉTAPE 9: (VOIR FIGURE 9)

- Fixez les supports de montage (11) au tube à angle droit (13) à l'aide de deux boulons en U (10).
- Fixez les boulons en U avec quatre rondelles (U) et quatre écrous à six pans (P).

FIXER LES SUPPORTS DE LEVÉE AUX SUPPORTS DE MONTAGE

ÉTAPE 10: (VOIR FIGURE 10)

- Fixez les deux supports de levage (12) aux deux supports de montage (11) avec les deux boulons (C) au-dessus des deux boulons (D).
- Fixez les deux boulons à six pans (C) avec les quatre rondelles (W) et deux écrous à 6 pans Nylock (O).
- Fixez les deux boulons à 6 pans (D) avec deux écrous à 6 pans Nylock (M).

FIXER LES RESSORTS DE CHAUME AU SUPPORT DE MONTAGE DE DENTS

ÉTAPE 11: (VOIR FIGURE 11)

- Sur un support de montage de dents (14), fixez si ressorts de chaume (15) à l'aide de six boulons à six pans (B). Six rondelles (T) et dix rondelles en caoutchouc (S).
- Fixez les boulons à six pans (B) et les rondelles à l'aide de six écrous à 6 pans Nylock (L).
- Sur le deuxième support de montage de dents, fixez six ressorts de chaume (15) en quinconce par rapport au premier support de montage de dents à l'aide de six boulons à six pans (B), six rondelles (T) et six rondelles en caoutchouc (S). Cela permettra de s'assurer que les ressorts de chaume (15) ne sont pas directement devant les dents du support de montage de dents précédent.
- Fixez les boulons à six pans (B) et les rondelles à l'aide de six écrous à 6 pans Nylock (L).

FIXER L'ASSEMBLAGE DE SUPPORT DE MONTAGE DE DENTS AUX SUPPORTS DE LEVAGE

ÉTAPE 12: (VOIR FIGURE 12)

- Fixez un assemblage de support de montage de dents (14) aux supports de levage (14) avec quatre boulons à six pans (A).
- Fixez les boulons à six pans avec quatre écrous Nylock (M).
- Répétez pour l'autre assemblage de support de montage de dents (14).

ASSEMBLER ET FIXER LA ROUE

ÉTAPE 13: (VOIR FIGURE 13)

- Fixez le support de montage de roue (16) à l'avant de l'assemblage du support de montage de dents (14) avec deux boulons à six pans (A).
- Fixez les boulons à six pans avec quatre écrous Nylock (M).

ÉTAPE 14: (VOIR FIGURE 14)

- Fixez la roue (17) au support de montage de roue (16) à l'aide d'un boulon à six pans (E), de deux rondelles (W), d'un écrou à six pans (Q) et d'un écrou à six pans Nylock (O).
- Serrez, mais pas trop. La roue devrait tourner facilement.

FONCTIONNEMENT



ATTENTION : le non-respect des précautions suivantes peut entraîner des blessures ou des dommages au produit:

- Placez vos pieds en toute sécurité sur les poignées du tube de poussée lorsque vous engagez ou désengagez la déchaumeuse.
- Ne retirez **PAS** vos pieds des poignées de tube de poussée jusqu'à ce que la déchaumeuse soit complètement verrouillée en position de désengagement ou complètement relâchée en position d'engagement.
- Ne laissez **PAS** la déchaumeuse se renverser lorsqu'elle est en position verticale.

Faites attention lors de l'utilisation de votre déchaumeuse. L'utilisation de votre déchaumeuse conformément à ces instructions contribuera à prévenir les dommages et à prolonger la durée de vie de votre déchaumeuse.

- Consultez le manuel du propriétaire du véhicule pour obtenir des instructions sur la conduite en toute sécurité sur les pentes.
- La vitesse de poussée maximale de cet assemblage de déchaumeuse est de 7 m.p.h.
- Faites attention aux racines d'arbres exposées, car elles peuvent endommager la déchaumeuse.
- Pour obtenir de meilleurs résultats, il faut toujours tondre l'herbe à une hauteur égale avant d'utiliser la déchaumeuse.

ENGAGER L'ASSEMBLAGE DE DÉCHAUMEUSE (VOIR FIGURE 15)

1. Asseyez-vous sur le tracteur de manière à ce que vos pieds puissent atteindre les poignées du tube de poussée.
2. Lorsque vous engagez l'assemblage de la déchaumeuse, soyez prêt à ce que son poids pousse contre vos pieds.
3. Utilisez vos pieds pour pousser et soulever légèrement les poignées du tube de poussée jusqu'à ce que les dents de la déchaumeuse et la roue soient sur le sol.

DÉSENGAGER L'ASSEMBLAGE DE DÉCHAUMEUSE (VOIR FIGURE 16)

1. Asseyez-vous sur le tracteur de manière à ce que vos pieds puissent atteindre les poignées du tube de poussée.
2. Lorsque vous désengagez la déchaumeuse, soyez prêt à pousser son poids.
3. Avec les pieds, poussez les poignées du tube de poussée jusqu'à ce que les dents de la déchaumeuse et la roue se soulèvent du sol et que l'axe d'épaulement (H) se verrouille en place.

AJUSTER LA HAUTEUR DE LA DÉCHAUMEUSE (VOIR FIGURE 17)

REMARQUE : si vous utilisez la déchaumeuse sur un terrain accidenté, soulevez l'assemblage de la déchaumeuse d'un trou plus haut pour éviter d'endommager l'appareil.

1. Engagez la déchaumeuse de manière à ce que la roue soit au sol (voir "Désengager l'assemblage de déchaumeuse" on page 21).
2. Retirez les goupilles bêta (K) et les rondelles (Y) fixant les tubes de poussée à la cloison. Conserver pour le réassemblage.
3. Retirez les goupilles bêta (K), les axes à épaulement (H) et l'espaceur fixant les tubes de poussée ensemble. Conserver pour le réassemblage.
4. Retirez et réinsérez le tube de poussée dans les trous de la cloison pour obtenir la hauteur souhaitée pour votre tracteur.
5. Fixez le tube de poussée à la cloison à l'aide des rondelles (Y) et des goupilles bêta (K) retirés. (Voir ÉTAPE 6 à la page 17 pour les instructions.)
6. Réassemblez les tubes de poussez et fixez-les avec l'espaceur (R), les axes d'épaulement (H) et les goupilles bêta (J) retirés. (Voir ÉTAPE 7 à la page 17 pour les instructions.)

ENTREPOSAGE

(VOIR FIGURE 18)

Pour l'entreposage, retirer l'assemblage de déchaumeuse de l'assemblage de montage d'attelage.

- Engagez la déchaumeuse de manière à ce que la roue soit au sol. (Voir « Désengager l'assemblage de déchaumeuse » sur la page 20 pour les instructions).
- Retirez la goupille bêta (J) et l'axe d'épaulement (H) des tubes de poussée à l'extrémité la plus éloignée de la cloison.
- Retirez la goupille bêta (K) et l'axe d'épaulement (I) qui fixent l'assemblage de montage de la lame (7) à l'assemblage de montage d'attelage (6).
- Tirez l'assemblage de la déchaumeuse pour faire glisser l'assemblage de montage de la lame (7) hors du tube de l'assemblage de montage d'attelage (6).
- Suspendez l'assemblage de chaumeuse sur le mur du magasin.

MAINTENANCE

(VOIR FIGURE 19)

- Nettoyez l'assemblage de déchaumeuse après chaque utilisation. L'herbe et les feuilles humides ou mouillées endommageront l'assemblage du ressort de chaume si elles sont stockées pendant de longues périodes.
- Vérifiez périodiquement le serrage des boulons.
- Au début de chaque saison, lubrifiez les points de pivot avec une huile légère pour machines.

NORMAS DE SEGURIDAD

Recuerde que cualquier equipo puede causar lesiones si se utiliza incorrectamente, o si el usuario no sabe utilizarlo. Tenga cuidado en todo momento al usar este equipo.



BUSQUE ESTE SÍMBOLO PARA IDENTIFICAR PRECAUCIONES DE SEGURIDAD IMPORTANTES. SIGNIFICA: ¡ATENCIÓN! ¡ESTÉ ALERTA! SU SEGURIDAD ESTÁ EN JUEGO.



ATENCIÓN: ACOPLAR UN ACCESORIO O COMPLEMENTO A UN VEHÍCULO PUEDE AFECTAR SU CAPACIDAD DE FRENADO Y ESTABILIDAD. ESTÉ ATENTO A LOS CAMBIOS DE CONDICIONES EN LAS PENDIENTES.

Tenga cuidado en todo momento al usar dispositivos eléctricos.

22. Lea atentamente este manual del propietario para conocer las instrucciones de funcionamiento y mantenimiento, antes de intentar armar o utilizar este equipo. Debe conocer en profundidad cómo utilizarlo correctamente.
23. Lea el manual del propietario y las normas de seguridad del vehículo y conozca cómo conducirlo, antes de usar este equipo.
24. Nunca permita que los niños usen el tractor ni el accesorio escarificador, ni tampoco los adultos, si carecen de las instrucciones correspondientes.
25. Este accesorio escarificador tiene dientes con puntas afiladas. Siempre manipule este aparato con cuidado y póngase un calzado adecuado para usarlo.
26. No permita que nadie monte ni se sienta en la estructura del accesorio escarificador ni en el vehículo de remolque.
27. Mantenga el área de trabajo despejada; asegúrese de que no haya ninguna persona, en especial niños pequeños, ni tampoco mascotas.
28. Siempre comience con la transmisión en la primera marcha (baja) y el motor a baja velocidad, y acelere gradualmente, según lo permitan las condiciones.
29. Acoplar este equipo a un vehículo puede afectar su capacidad de frenado y estabilidad. Esté atento a los cambios de condiciones en las pendientes. Consulte las normas de seguridad en el manual del propietario del vehículo relativas a conducir de modo seguro en las pendientes. **MANTÉNGASE ALEJADO DE LAS PENDIENTES PRONUNCIADAS.**
30. Transite siempre hacia arriba y hacia abajo de una pendiente, nunca la atravesese.
31. Este equipo debe manejarse a velocidad reducida en terrenos accidentados, a lo largo de arroyos y zanjas y en laderas, para evitar vuelcos y pérdida de control. No conduzca demasiado cerca de arroyos ni zanjas.
32. No remolque este equipo en una carretera ni en ninguna otra vía pública.
33. Siga las instrucciones de mantenimiento descritas en este manual del propietario.

ENSAMBLAJE DEL KIT DE SEPARADORES

Dependiendo de su podadora, es posible que sea necesario usar el kit de espaciadores incluido para asegurar que el conjunto de montaje del enganche se fije a su podadora sin interferencias.

ENSAMBLAJE DEL ESPACIADOR ÚNICO

Coloque el soporte de montaje (AA) de forma plana en la estructura delantera de giro cero. Abra el costado del soporte que está orientado hacia arriba.

Coloque el conjunto de montaje del enganche (6) en el soporte de montaje (AA)

Use los dos pernos U (BB) para fijar el conjunto de montaje del enganche (6) con dos soportes de montaje (AA), cuatro arandelas (CC) y cuatro tuercas hexagonales (DD). No apriete.

Si la barra deslizante no se extiende completamente en ambos pernos U (BB), afloje el perno hexagonal correspondiente (G) y reubique la barra deslizante (2).

Coloque el montaje de enganche en el centro del bastidor del tractor.

Ajuste todos los pernos y tuercas hexagonales.

Nota: Dependiendo de su podadora, es posible que los pernos U deban instalarse de forma angular.

ENSAMBLAJE DEL ESPACIADOR DOBLE

Coloque el soporte de montaje (AA) en la estructura delantera de giro cero. Abra el costado del soporte que está orientado hacia abajo.

Coloque el segundo soporte de montaje (AA) en la parte superior del primer soporte de montaje (AA). Abra el costado del soporte que está orientado hacia arriba.

Coloque el conjunto de montaje del enganche (6) en los soportes de montaje (AA)

Use los dos pernos U (BB) para fijar el conjunto de montaje del enganche (6) con dos soportes de montaje (AA), cuatro arandelas (CC) y cuatro tuercas hexagonales (DD). No apriete.

Si la barra deslizante no se extiende completamente en ambos pernos U (BB), afloje el perno hexagonal correspondiente (G) y reubique la barra deslizante (2).

Coloque el montaje de enganche en el centro del bastidor del tractor.

Ajuste todos los pernos y tuercas hexagonales.

Nota: Dependiendo de su podadora, es posible que los pernos U deban instalarse de forma angular.

INSTRUCCIONES PARA EL ARMADO

HERRAMIENTAS NECESARIAS PARA EL ARMADO

- (1) llave ajustable
- (2) llaves de 7/16"
- (2) llaves de 1/2"
- (2) llaves de 9/16"

Despliegue las piezas y los herrajes e identifíquelos guiándose por las ilustraciones en las páginas 3 y 4.

ARMADO DEL MONTAJE DE ENGANCHE

PASO 1: (VER FIGURA 1)

- Inserte una barra deslizante (2) en cada extremo del montaje de enganche (6).
- Fije ambas barras deslizantes al montaje de enganche con dos pernos hexagonales (G), cuatro arandelas (V) y dos tuercas hexagonales Nylock (N). Deje sin ajustar.

PASO 2: (VER FIGURA 2)

- Fije el montaje de enganche (6) al bastidor del tractor con dos pernos U (4), asegurados con dos soportes de montaje (3), cuatro arandelas (U) y cuatro tuercas hexagonales Nylock (P). Deje sin ajustar.
- Si la barra deslizante no se extiende completamente en ambos pernos U (4), afloje el perno hexagonal correspondiente (G) y reubique la barra deslizante (2).
- Coloque el montaje de enganche en el centro del bastidor del tractor.
- Ajuste todos los pernos y tuercas hexagonales.

ARMADO DEL MONTAJE DE HOJA

PASO 3: (VER FIGURA 3)

- Acople cuatro soportes de pivote (5) al montaje de la hoja (7) con cuatro pernos hexagonales (G) y tuercas hexagonales Nylock (N).
- Para ayudarse a alinear los soportes de pivote (5), inserte temporalmente el eje de pivote (8) a través de sus orificios.
- Retire el eje de pivote (8), una vez que los soportes de pivote (5) estén firmemente sujetos al montaje de la hoja (7).

ACOPLAMIENTO DEL MONTAJE DE LA HOJA AL MONTAJE DE ENGANCHE

PASO 4: (VER FIGURA 4)

- Inserte el montaje de la hoja (7) en la barra del montaje de enganche (6).
- Asegure con un pasador de chaveta (I) y un pasador de horquilla (K).
- Inserte los tapones cuadrados (ZZ) en el montaje de la hoja (7).

ACOPLAMIENTO DEL MAMPARO AL MONTAJE DE LA HOJA

PASO 5: (VER FIGURA 5)

- Inserte el eje de pivote (8) a través de los dos juegos de soportes de pivote (5) del montaje de la hoja (7) y los orificios del mamparo (9).

ACLARACIÓN: Los orificios del mamparo que deberá utilizar quedarán determinados por la altura de su tractor.

- Asegure cada extremo del eje de pivote (8) con una arandela (Y) y un pasador de horquilla (K).

ACOPLAMIENTO DE LAS BARRAS DE EMPUJE AL MAMPARO

PASO 6: (VER FIGURA 6)

- Con una barra de empuje (1) al nivel del montaje de enganche (6), inserte el extremo sin tapa de la barra en el orificio del mamparo (9) a esa altura.
- Repita el procedimiento para la segunda barra de empuje (1).
- Asegure cada barra de empuje (1) al mamparo (9) con una arandela (Y) y un pasador de horquilla (K).

PASO 7: (VER FIGURA 7)

- Una las dos barras de empuje (1) con un pasador de chaveta (H) y un separador (R) entre ellas, en el extremo más cercano al mamparo (9).
- Inserte un segundo pasador de chaveta (H) a través del lado opuesto de las barras de empuje, en el extremo más alejado del mamparo (9).
- Asegure cada pasador de chaveta con un pasador de horquilla (J).

Aclaración: Recomendamos que los dos pasadores de horquilla (J) queden en lados opuestos de las barras de empuje (1).

MONTAJE DE LA BARRA CUADRADA AL MAMPARO

PASO 8: (VER FIGURA 8)

- Fije la barra cuadrada (13) al mamparo (9) usando dos pernos hexagonales (F), arandelas (X) y tuercas hexagonales (M).
- Coloque los dos tapones cuadrados (Z) en los extremos de la barra.

FIJACIÓN DE LOS SOPORTES DE MONTAJE

PASO 9: (VER FIGURA 9)

- Fije los soportes de montaje (11) a la barra cuadrada (13) con dos pernos U (10).
- Asegure los pernos en U con cuatro arandelas (U) y cuatro tuercas hexagonales (P).

MONTAJE DE LOS SOPORTES DE ELEVACIÓN

PASO 10: (VER FIGURA 10)

- Acople los dos soportes de elevación (12) a los dos soportes de montaje (11) con los dos pernos (C) por encima del otro par de pernos (D).
- Asegure los dos pernos hexagonales (C) con las cuatro arandelas (W) y dos tuercas hexagonales Nylock (O).
- Asegure los dos pernos hexagonales (D) con dos tuercas hexagonales Nylock (M).

ENCASTRE DE LOS RESORTES ESCARIFICADORES EN EL SOPORTE DE MONTAJE DE LOS DIENTES

PASO 11: (VER FIGURA 11)

- Tome uno de los soportes de montaje de los dientes (14), encastre seis resortes esscarificadores (15) y asegúrelos con seis pernos hexagonales (B), seis arandelas (T) y seis arandelas de caucho (S).
- Fije los pernos hexagonales (B) y las arandelas con seis tuercas hexagonales Nylock (L).
- En el segundo soporte de montaje de los dientes, encastre seis resortes esscarificadores (15), en un patrón escalonado con respecto al primer soporte utilizando seis pernos hexagonales (B), seis arandelas (T) y seis arandelas de caucho (S). Esto asegura que los resortes (15) no estén directamente por delante de los dientes en el soporte de montaje anterior.
- Fije los pernos hexagonales (B) y las arandelas con seis tuercas hexagonales Nylock (L).

MONTAJE DE LOS SOPORTES DE MONTAJE DE LOS DIENTES ARMADOS A LOS SOPORTES DE ELEVACIÓN

PASO 12: (VER FIGURA 12)

- Fije un soporte de montaje de los dientes armado (14) a los soportes de elevación (12) con cuatro pernos hexagonales (A).
- Asegure los pernos hexagonales con cuatro tuercas Nylock (M).
- Repita el procedimiento para el otro soporte de montaje de los dientes armado (14).

ARMADO Y MONTAJE DE LA RUEDA

PASO 13: (VER FIGURA 13)

- Acople el soporte de montaje de la rueda (16) al soporte de montaje de los dientes armado (14) delantero con dos pernos hexagonales (A).
- Asegure los pernos hexagonales con dos tuercas Nylock (M).

PASO 14: (VER FIGURA 14)

- Fije la rueda (17) al soporte de montaje de la rueda (16) con un perno hexagonal (E), dos arandelas (W), una tuerca hexagonal (Q) y una tuerca hexagonal Nylock (O).
- Ajuste, pero no demasiado. La rueda debe rotar con facilidad.

FUNCIONAMIENTO



ATENCIÓN: No cumplir con las siguientes advertencias podría ocasionar lesiones personales o daños al producto:

- Coloque los pies de forma segura sobre las manijas de la barra de empuje al enganchar o desenganchar el escarificador.
- **NO** quite los pies de las manijas de la barra de empuje hasta que el escarificador esté completamente trabado en la posición de desenganche, o completamente liberado en la posición de enganche.
- **NO** permita que el escarificador se caiga cuando esté en posición vertical.

Sea cuidadoso al usar su escarificador. Usar su escarificador de acuerdo con estas instrucciones ayudará a prevenir daños y prolongar la vida útil del producto.

- Consulte el manual del propietario del vehículo para obtener instrucciones sobre la utilización segura en pendientes.
- La velocidad máxima de empuje del escarificador armado es 7 mph.
- Tenga cuidado con las raíces de los árboles expuestas, ya que pueden causar daños al aparato.
- Para obtener los mejores resultados, siempre corte el césped a una altura uniforme antes de usar el escarificador.

ENGANCHE DEL ESCARIFICADOR ARMADO (VER FIGURA 15)

1. Siéntese en el tractor de modo que sus pies alcancen las manijas de la barra de empuje.
2. Cuando el escarificador esté enganchado, afírmese ya que sentirá el peso del aparato haciendo presión contra sus pies.
3. Empuje y levante levemente las manijas de la barra de empuje con los pies hasta que los dientes y la rueda del escarificador estén en el suelo.

DESENGANCHE DEL ESCARIFICADOR ARMADO (VER FIGURA 16)

1. Siéntese en el tractor de modo que sus pies alcancen las manijas de la barra de empuje.
2. Al desenganchar el esscarificador, sentirá su peso, esté preparado para empujarlo.
3. Use sus pies para empujar las manijas de la barra de empuje hasta que los dientes y la rueda del esscarificador se eleven del suelo y el pasador de chaveta (H) encastre en su lugar.

AJUSTE DE LA ALTURA DEL ESCARIFICADOR (VER FIGURA 17)

ACLARACIÓN: Si va a utilizar el esscarificador en un terreno irregular, súbalo un orificio más alto para evitar dañar la unidad.

1. Enganche el esscarificador armado de modo que la rueda se apoye en el suelo (ver "Desenganche del esscarificador armado", página 26).
2. Retire los pasadores de horquilla (K) y las arandelas (Y) que sujetan las barras de empuje al mamparo. Consérvelos para el rearmado.
3. Retire los pasadores de horquilla (J), los pasadores de chaveta (H) y el separador (R) que mantienen las barras de empuje juntas. Consérvelos para el rearmado.
4. Retire y vuelva a insertar la barra de empuje en los orificios del mamparo hasta alcanzar la altura deseada para su tractor.
5. Asegure la barra de empuje al mamparo usando las arandelas (Y) y los pasadores de horquilla (K) que quitó (ver las instrucciones en "PASO 6", página 22).
6. Vuelva a montar las barras de empuje y asegúrelas con el separador (R), los pasadores de chaveta (H) y los pasadores de horquilla (J) que quitó (ver las instrucciones en "PASO 7", página 22).

ALMACENAMIENTO

(VER FIGURA 18)

Para guardar, retire la unidad armada del montaje de enganche.

- Enganchar el esscarificador de modo que la rueda toque el suelo (ver las instrucciones en "Enganche del esscarificador armado", página 25).
- Retire el pasador de horquilla (J) y el pasador de chaveta (H) de las barras de empuje en el extremo más alejado del mamparo.
- Retire el pasador de horquilla (K) y el pasador de chaveta (I) que mantienen unidos el montaje de la hoja (7) y el montaje de enganche (6).
- Jale del esscarificador armado para deslizar el montaje de la hoja (7) fuera de la barra del montaje de enganche (6).
- Cuelgue el esscarificador armado en la pared para guardarlo.

MANTENIMIENTO

- Siempre limpie el montaje de los resortes esscarificadores después de cada uso. El césped y las hojas húmedos o mojados dañarán el montaje de los resortes, si queda guardado durante largos períodos sin usar.
- Revise periódicamente si hay pernos sueltos.
- Al comienzo de cada temporada, lubrique los puntos de pivote con un aceite liviano para máquinas.

SpeedEPart *the fastest way to purchase parts* www.speedepart.com

REPAIR PARTS

Agri-Fab, Inc.
809 South Hamilton
Sullivan, IL. 61951
217-728-8388
www.agri-fab.com

This document (or manual) is protected under the U.S. Copyright Laws and the copyright laws of foreign countries, pursuant to the Universal Copyright Convention and the Berne convention. No part of this document may be reproduced or transmitted in any form or by any means, electronic or mechanical, including photocopying or recording, or by any information storage or retrieval system, without the express written permission of Agri-Fab, Inc. Unauthorized uses and/or reproductions of this manual will subject such unauthorized user to civil and criminal penalties as provided by the United States Copyright Laws.