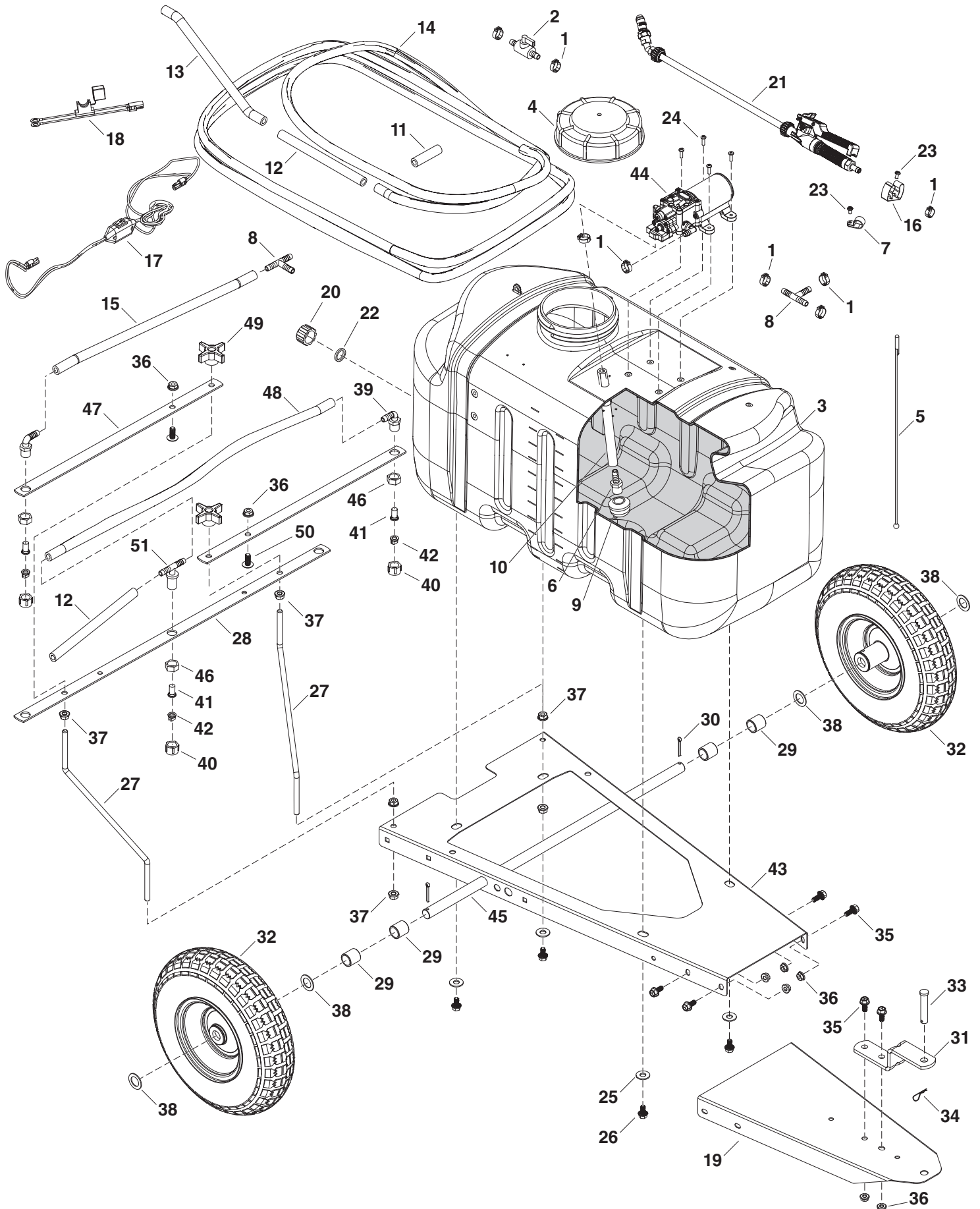


45-0616



45-0616

REF. NO.	PART NO.	QTY.	DESCRIPTION	REF. NO.	PART NO.	QTY.	DESCRIPTION
1	ST43652	8	HOSE CLAMP, 1/2"	28	ST43169BL3	1	CENTER BOOM
2	ST43014	1	IN LINE VALVE 3/8" BARB	29	44500	4	SPACER, .800ID X 1.00OD X 1.0
3	2-881	1	25 GALLON TANK, DRILLED	30	41631	2	PIN, COTTER 5/32 X 1-1/4
4	ST43175	1	TANK FILL CAP	31	23014BL1	1	BRACKET, HITCH
5	ST44017	1	LANYARD FOR TANK FILL CAP	32	40939G	2	WHEEL, ASS'Y 3/4" ID (DRIVE)
6	ST43182	1	SUMP FITTING 3/8" BARB	33	ST43468	1	PIN, CLEVIS 1/2" X 2-1/2"
7	ST43191	1	HOSE HOLDER 3/8"	34	43343	1	PIN, HAIR COTTER 3/32 X 2-5/16
8	ST43013	2	TEE 3/8" BARBS	35	ST65007	6	BOLT, FLANGE 5/16-18 X 3/4
9	ST43258	1	SUMP STRAINER 3/8"	36	46584	8	NUT, HEX 5/16-18 WHIZ LOCK
10	2-334	1	HOSE, 3/8" X 19.5"	37	44072	8	NUT, HEX 3/8-16 WHIZLOCK (2 EXTRA)
11	2-317	1	HOSE, 3/8" X 2.5"	38	1540-31	4	WASHER, .78 X 1.25 X .062
12	2-319	2	HOSE, 3/8" X 8.5"	39	ST43011	2	ELBOW 3/8" BARB TIP FITTING
13	2-324	1	HOSE, 3/8" X 15.5"	40	ST43012	3	TIP FITTING CAP NUT
14	2-1049	1	HOSE, 3/8" X 180"	41	ST43016	3	SPRAY TIP SCREEN W/CHECK
15	2-314	1	HOSE, 3/8" X 22"	42	2-882	3	SPRAY TIP, 110 FLAT FAN, 0.4
16	ST43287	1	SPRAY WAND HOLDER, LARGE	43	2-805BL3	1	MAIN FRAME
17	ST43472	1	WIRE HARNESS, SWITCH	44	ST43790	1	PUMP, REMCO 1.6 GPM 100 PSI
18	ST43483	1	WIRE HARNESS, BATTERY	45	24615	1	AXLE, 3/4" DIA. (45-0293)
19	2-896BL3	1	HITCH TRIANGLE	46	2-866	3	NUT, 11/16" NOZZLE RETAINING
20	48719	1	CAP, 3/4" GHT	47	ST43170BL3	2	BOOM EXTENSION
21	2-1050	1	SPRAY WAND, PLASTIC TIP	48	2-325	1	HOSE, 3/8" X 31"
22	ST43684	1	WASHER FOR DRAIN CAP	49	ST43289	2	KNOB, 3/8" LOCKING
23	46677	2	SCREW, 10-24 X 3/8 PL	50	43814	2	SCREW, 5/16-18 X 3/4
24	ST65258	4	SCREW, PAN #10-24 X 5/8 PHIL.	51	ST43192	1	TEE 3/8" BARBS TIP FITTING
25	43070	4	WASHER, .438 X 1 X .083	52	ST43314	2	CLIP, PLASTIC WIRE HARNESS*
26	ST65011	4	BOLT, FLANGE 5/16-18 X 5/8	53	3-131	1	LABEL, AGRI-FAB ORANGE*
27	ST43532	2	ROD, BOOM SUPPORT	54	MT3980	1	LABEL, WARNING - CHEMICAL HAZ*
				55	3-388	1	OWNERS MANUAL*

ADDITIONAL SERVICE PARTS

* Not Shown

PART NO.	DESCRIPTION
ST50749	FUSE 32V 15AATO/ATC