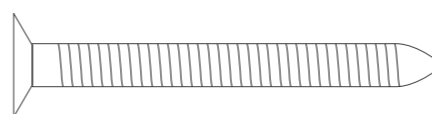
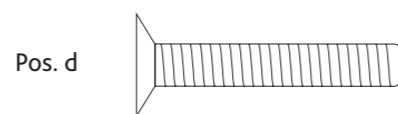
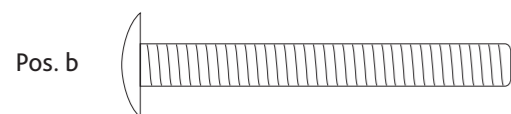
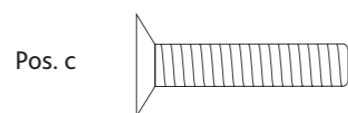
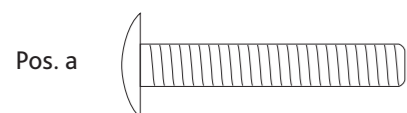


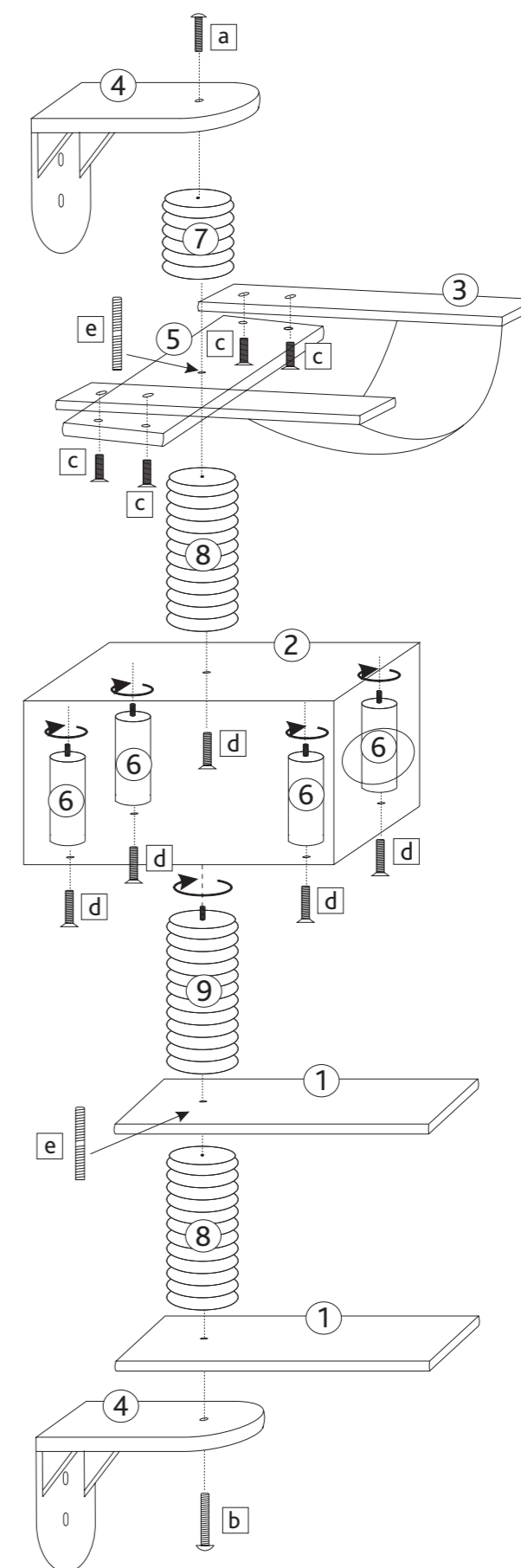
Item No.	Scratching Post	Color	Height
44876	Dayna	gray	59.5 inch (152 cm)

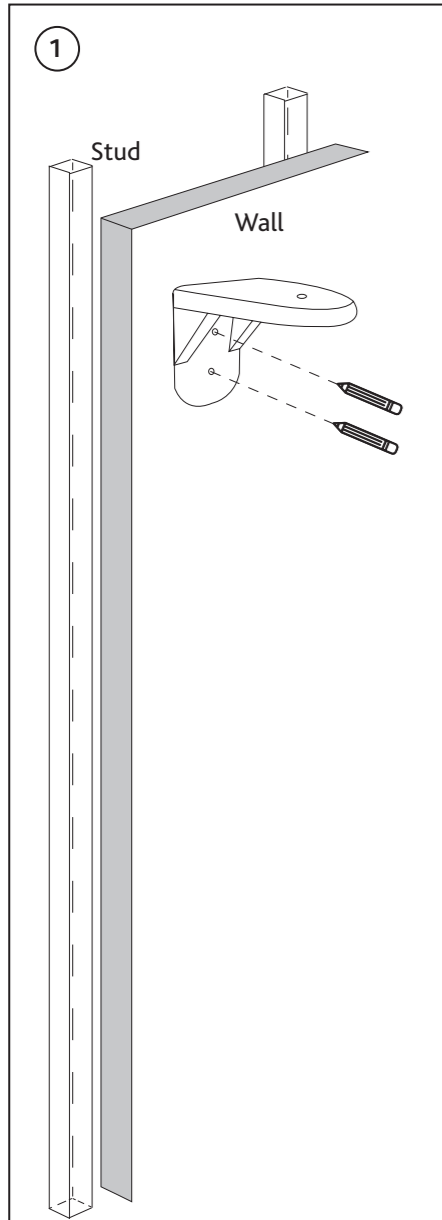
Pos. No.	Description	Measurement	Quantity	Item No.
Pos. 1	Platform	17.75 × 0.75 × 15.75 in. (45 × 2 × 40 cm)	2	44876-10
Pos. 2	Cave, foldable	17.25 × 11.75 × 15.75 in. (44 × 30 × 40 cm)	1	44876-11
Pos. 3	Hammock	20.5 × 1.5 × 15.75 in. (52 × 4 × 40 cm)	1	44876-12
Pos. 4	Holder for wall	5.5 × 9 × 11.75 in. (14 × 23 × 30 cm)	2	44876-13
Pos. 5	Support for Hammock		1	44876-14
Pos. 6	Post with spacer bolt for cave	∅ 2 × 10.5 in. (∅ 5 × 27 cm)	4	44876-30
Pos. 7	Post	∅ 4.25 × 6 in. (∅ 11 × 15 cm)	1	44876-31
Pos. 8	Post	∅ 4.25 × 11.75 in. (∅ 11 × 30 cm)	2	44876-32
Pos. 9	Post with spacer bolt	∅ 4.25 × 11.75 in. (∅ 11 × 30 cm)	1	44876-33
Pos. a	Rounded head screw	0.3 × 2 in. (M8 × 50 mm)	1	44876-50
Pos. b	Rounded head screw	0.3 × 2.75 in. (M8 × 70 mm)	1	
Pos. c	Countersunk screw	0.3 × 1.5 in. (M8 × 40 mm)	4	
Pos. d	Countersunk screw	0.3 × 2 in. (M8 × 50 mm)	5	
Pos. e	Thread rod	0.3 × 3.25 in. (M8 × 80 mm)	2	
	Screw		4	
	Washer	0.3 × 1 in. (M8 × 24 mm)	2	
	Allen key		1	



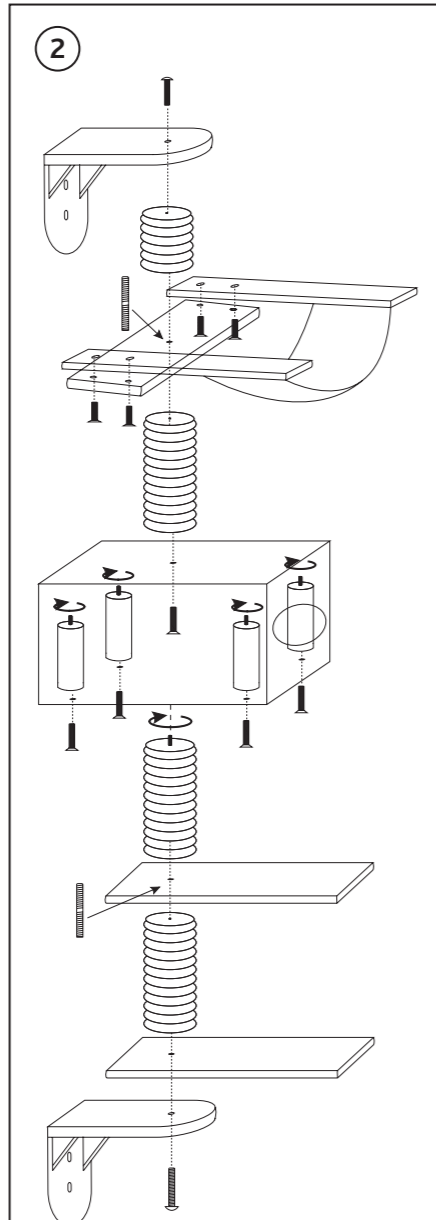
USA Advice:

Please note the secure assembly and mounting required two individuals (adults).
 Please check the screws regularly and retighten them if necessary.

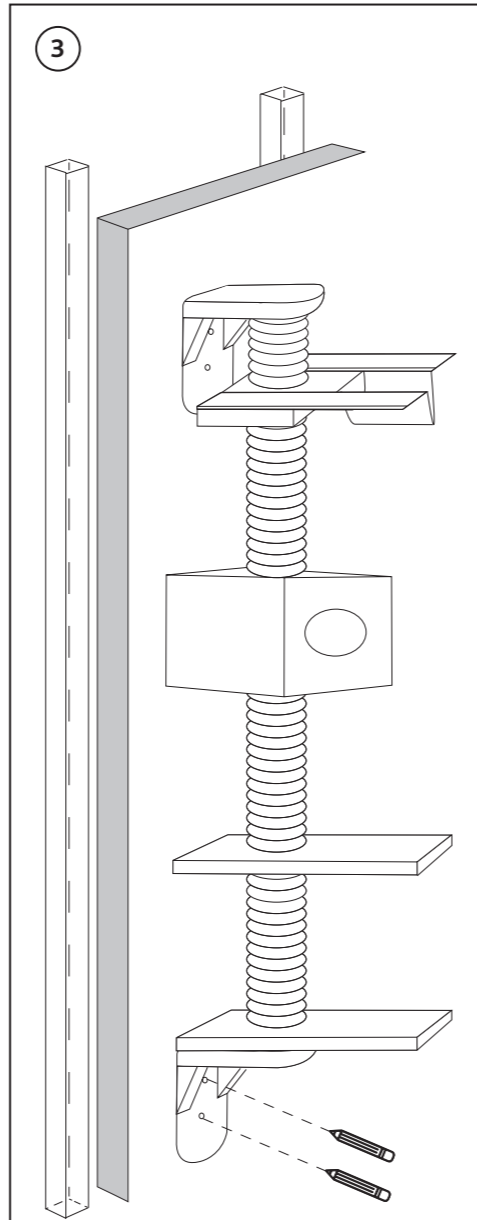




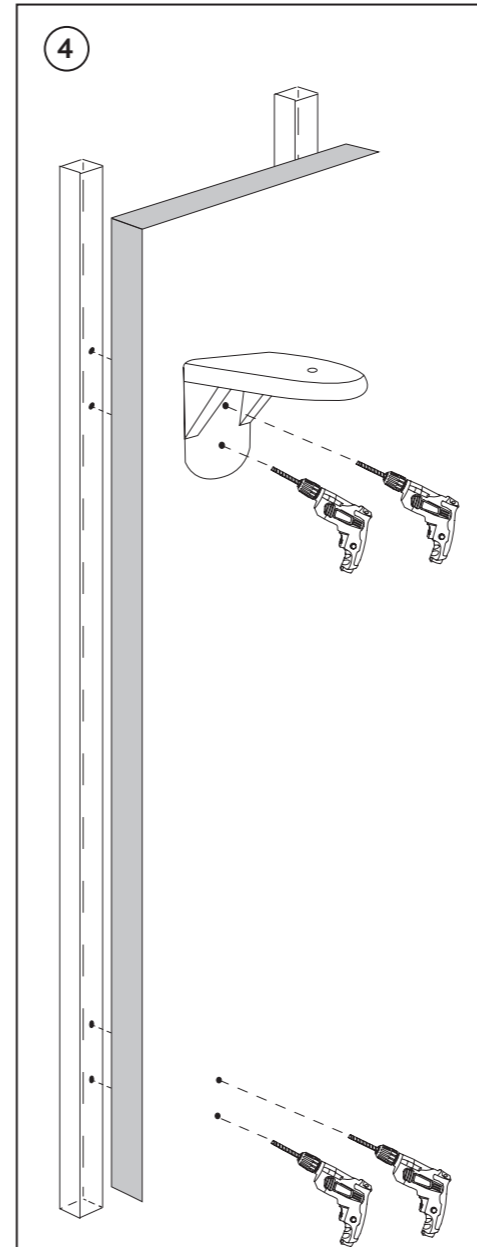
1 Please use a stud finder (or other technique) and a pencil. After locating the stud mark the center of the stud, which will hold the product. Use the top-holder to mark the two holes for the final position of the top holder.



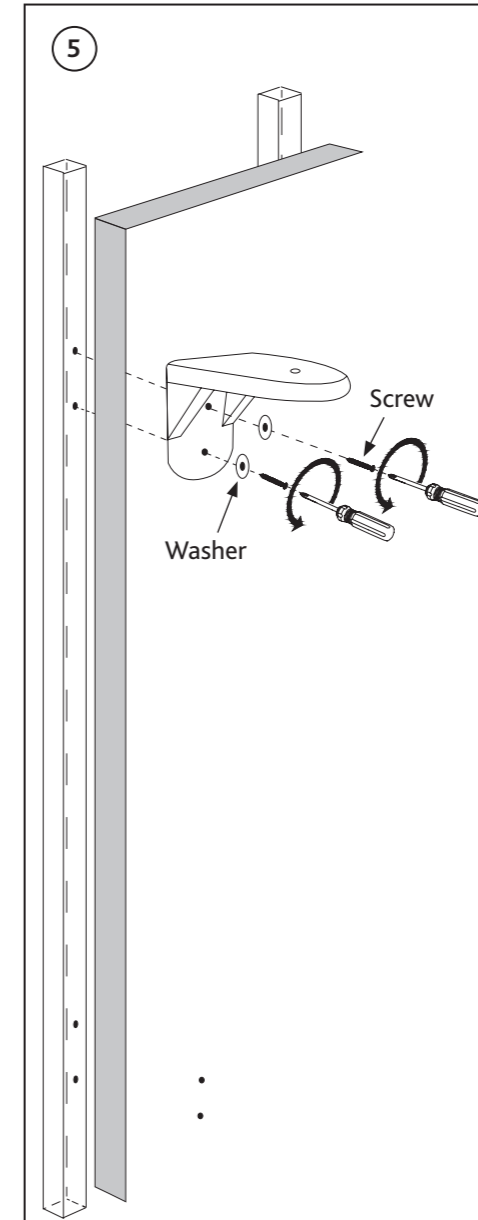
2 Assemble the complete cat tree as shown in the manual.



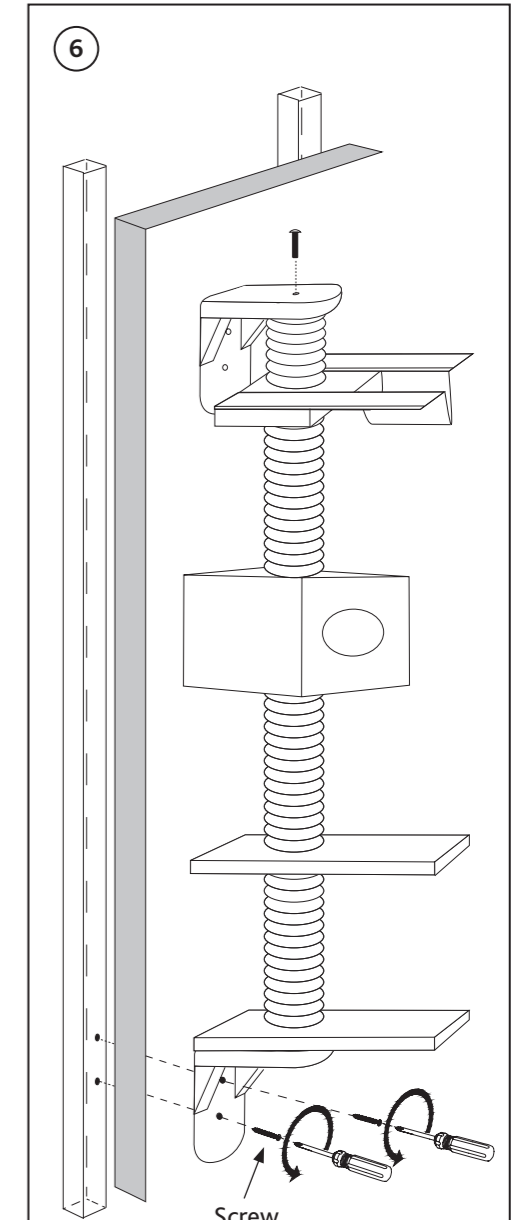
3 Bring the cat tree in final position with the top holder matching the markings. Second person is using a spirit level or eyeballs how the bottom holder should sit on the stud. Mark the holes for the bottom holder with the pencil.



4 Use your drill and the 1/16" bit to make pilot holes for maximum 2 inch to all 4 markings.



5 Unscrew the top holder for the post and mount the top holder to the wall as shown. Don't fasten the screws all the way. This will allow to shift the holder up and down during final assembly.



6 Mount the cat tree with bottom holder to the wall and connect the top post with the top holder. Make sure all screws are tightened securely.

USA Advice:

Please note the secure assembly and mounting required two individuals (adults). Please check the screws regularly and retighten them if necessary.