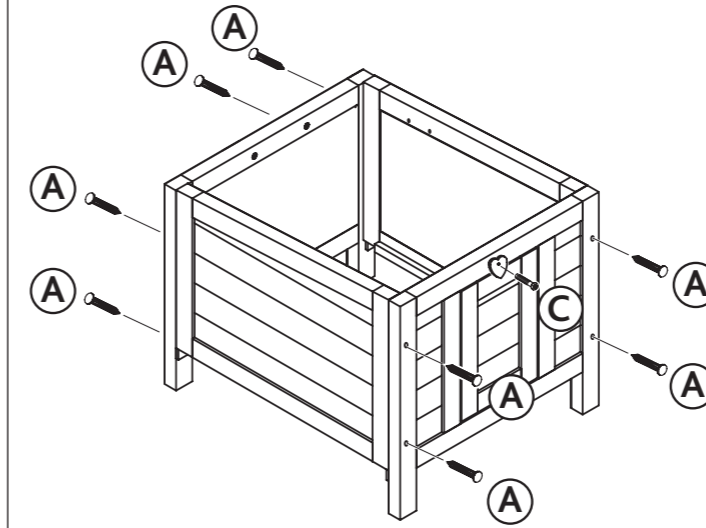


Pos.	Description	Measurement	Quantity	Item
1	Front part with entrance	16.75 x 15.75 x 1 in. (430 x 400 x 30 mm)	1	44118-10
2	Side wall, left	18 x 12.5 x 1.25 in. (460 x 320 x 35 mm)	1	44118-20
3	Side wall, right	18 x 12.5 x 1.25 in. (460 x 320 x 35 mm)	1	44118-30
4	Backwall	16.75 x 14.75 x 1 in. (430 x 375 x 30 mm)	1	44118-40
5	Bottom plate	14.75 x 8.75 x 0.75 in. (376 x 228 x 20 mm)	2	44118-50
6	Roof plate with hinges	22 x 17.5 x 1.25 in. (560 x 450 x 35 mm)	1	44118-60

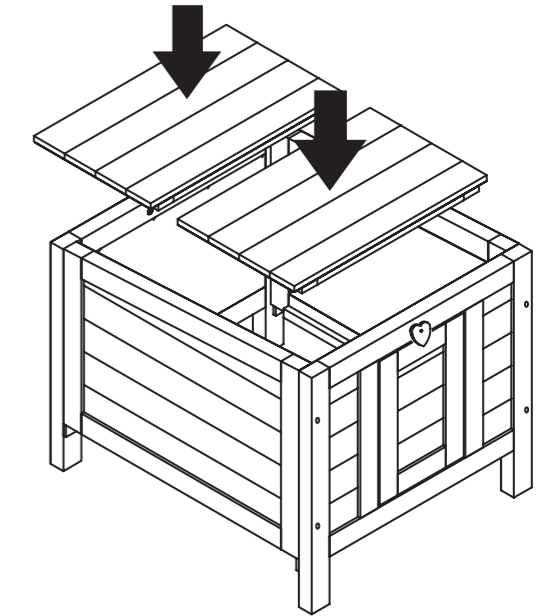
Pos.	Description	Size	Quantity	Item
A	Countersunk screw	ø 0.137 x 1.75 in. (ø 3.5 x 45 mm)	8+1	44118-70
B	Countersunk screw	ø 0.157 x 0.5 in. (ø 4 x 16 mm)	8+1	
C	Lock heart-shaped	ø 0.157 in. (ø 4 mm)	1	
D	Check strap, right	11 in. (280 mm)	1	

Fix the front part (1) and the back wall (4) to the side panels (2/3).
Fix the wooden lock heart (C).



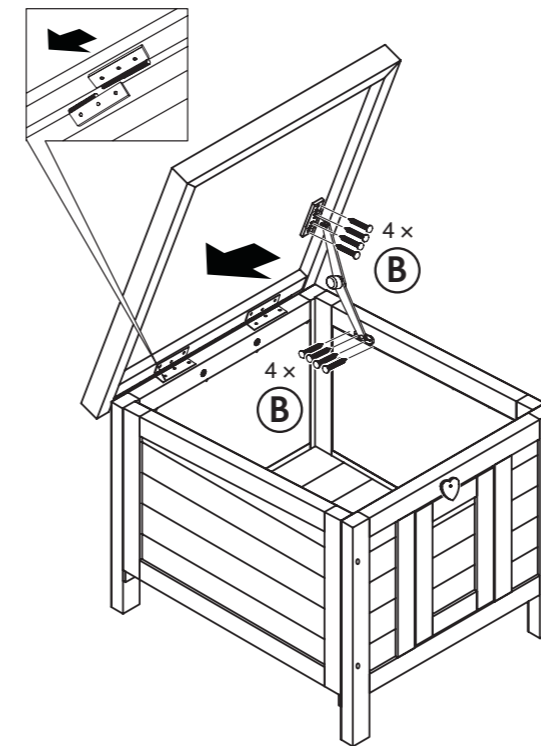
1.

Now put in the bottom plates (5).



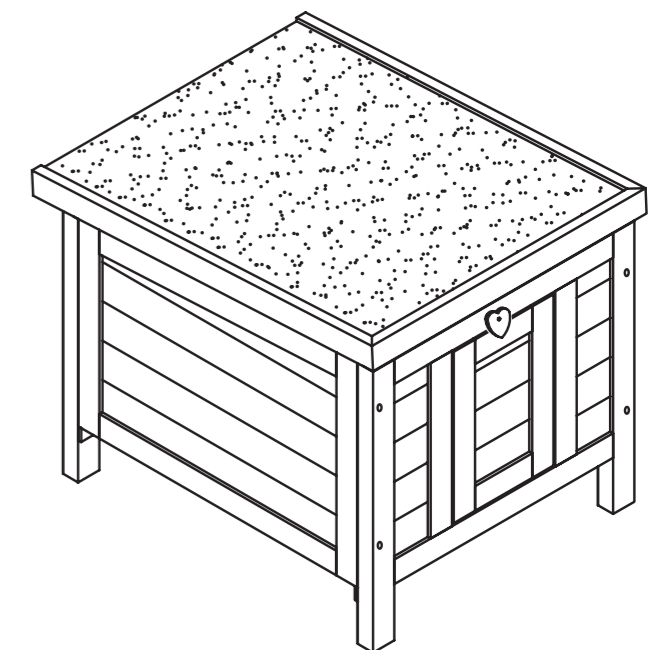
2.

Install the roof with the enclosed hinges.



3.

Finish.



4.