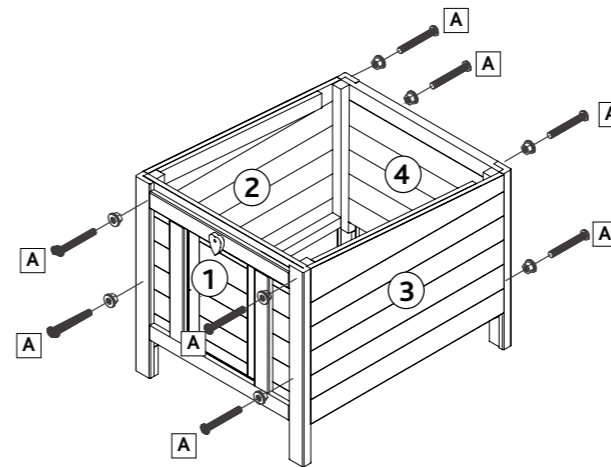


Pos. No.	Description		Measurement in mm	Quantity	Item No.
1	Front part		400 x 400 x 30	1	44120-10
2	Left side panel		460 x 320 x 30	1	44120-20
3	Right side panel		460 x 320 x 30	1	44120-30
4	Back wall		460 x 360 x 20	1	44120-40
5	Floor 1		376 x 151 x 20	1	44120-50
6	Floor 2		376 x 301 x 20	1	44120-60
7	Roof		420 x 511 x 28	1	44120-70
8	Wood support		200 x 20 x 10	1	44120-80

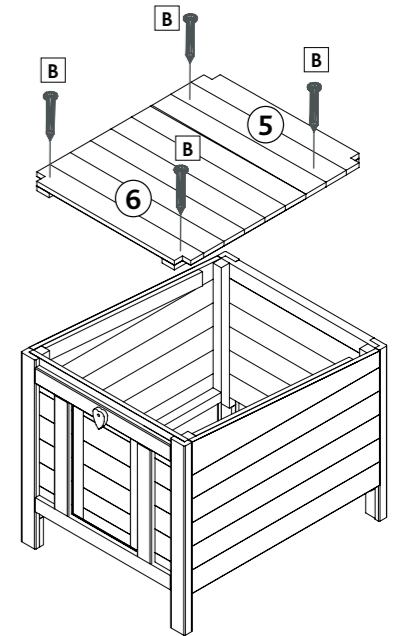
Pos. No.	Description		Measurement in mm	Quantity	Item No.
A	Thread screw with nut		M6 x 50	8+1	44120-90
B	Countersunk screw		ø 3.5 x 25	4+1	
C	Countersunk screw		ø 3 x 25	1+1	

Fix the front part (1) and the back wall (4) to the side panels (2/3).



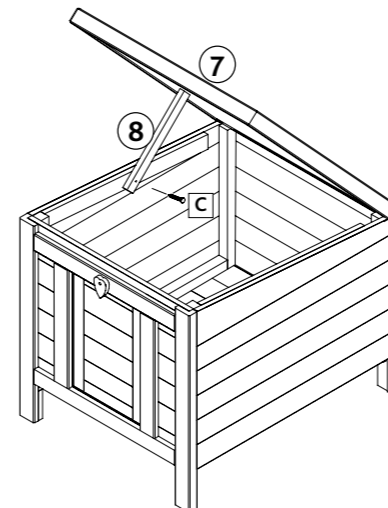
1.

Now put in the bottom plates (5/6).



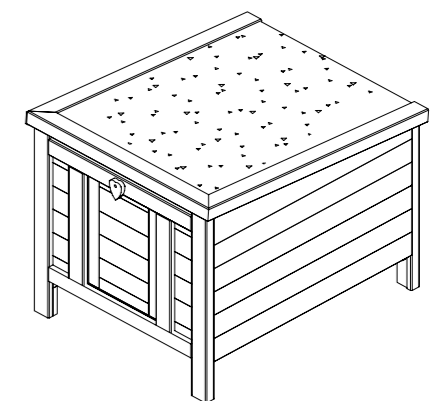
2.

Fix the wood support to the left side panel. Then install the roof.



3.

Finish.



4.