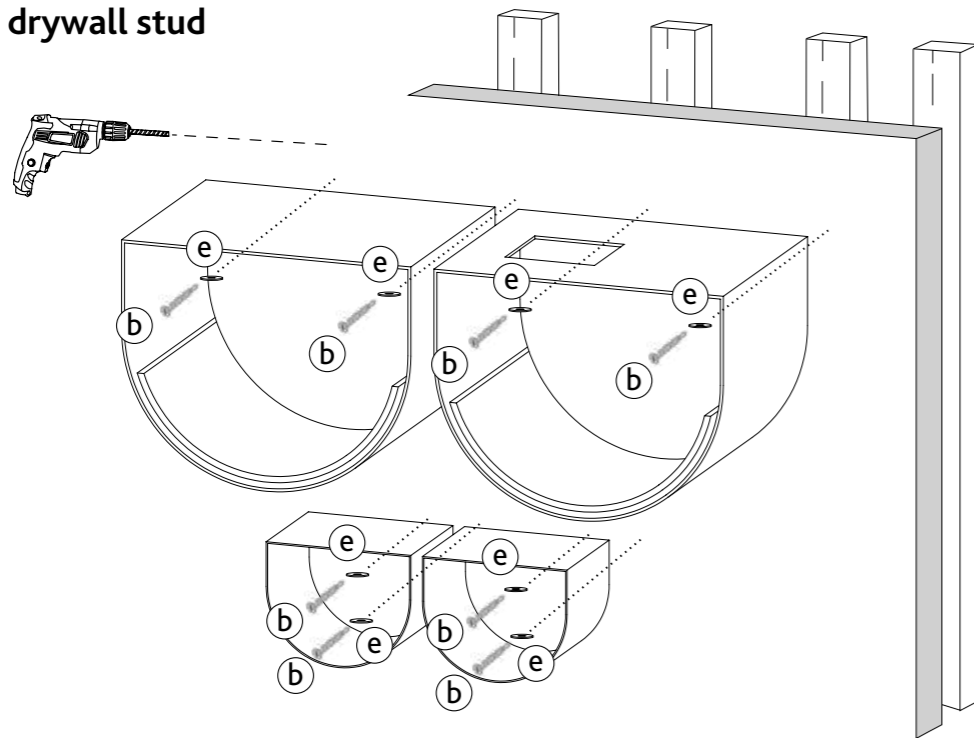


Item No.		Color	Code	
4991	Frehi Wall Mounted Cat Lounge	gray	6	
		dark-grey	7	

Description	Measurement	Quantity	Item No. - 6	Item No. - 7
Large cat condo	48 x 33 x 33 cm 18.75 x 13.0 x 13.0 in.	1	49916-10	49917-10
Small cat condo	45 x 30 x 30 cm 17.5 x 11.75 x 11.75 in.	1	49916-11	49917-11
Step	16 x 16 x 13 cm 6.25 x 6.25 x 5.0 in.	2	49916-12	49917-12
Hardware Set		1	49916-60	49917-60

Pos. No.	Description	Measurement	Quantity
a	Wood Screws	55 mm 2,16 in.	10
b	Metal Stud	55 mm 2,16 in.	10
c	Screws for dry wall anchor	35 mm 1,37 in.	10
d	Self-drilling drywall anchor (metal)	30 mm x 13 mm 1.18 x 0.51 in.	10
e	Washer	15 mm 0.59 in.	10

Mounting to drywall stud



EN Work steps for drywall with wooden drywall stud

First Step

Use a stud-finder or other technique to locate the studs. Please use a pencil. Bring the products in final position and mark the screw-point on the center of the stud. Use a spirit level or have someone eyeball to make sure the holes are levelled.

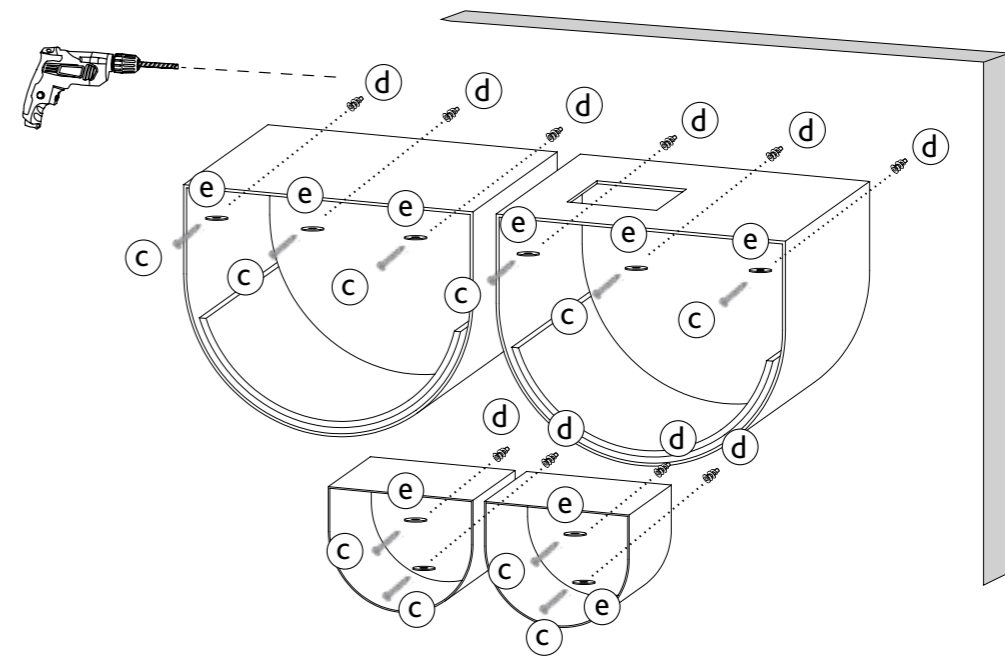
Final Step

Before you start, make sure to check whether you have wooden or metal studs to select the correct screws. Mount the condo and steps with attached washers and screws to studs at pilot markings.

Advice:

Please note the secure assembly and mounting requires one adult person.

Mounting to drywall panel



EN Work steps for drywall with wooden drywall stud

First Step

Please use a pencil. Bring the products in final position and mark the screw-point on the center of the wall. Use a spirit level or have someone eyeball to make sure the holes are levelled.

Second Step

If you use self-drilling wall anchors a pilot hole is not needed. Use your drill and the 1/16" bit to make pilot holes for maximum 1 inch to markings. Insert wall anchors (included) to pilot holes. Be careful not to break the drywall panel.

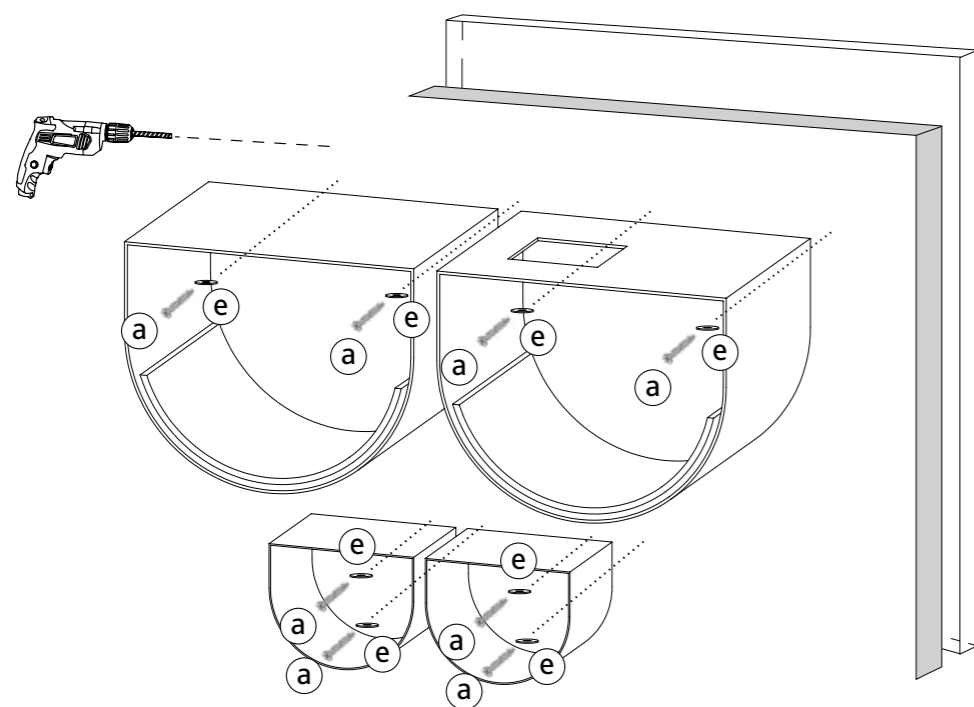
Final Step

Mount the condo and steps with attached washers and screws to wall anchors.

Advice:

Please note the secure assembly and mounting requires one adult person.

Mounting to wooden wall



EN Work steps for wooden wall

First Step

Please use a pencil. Bring the products in final position and mark the screw-point. Use a spirit level or have someone eyeball to make sure the holes are levelled.

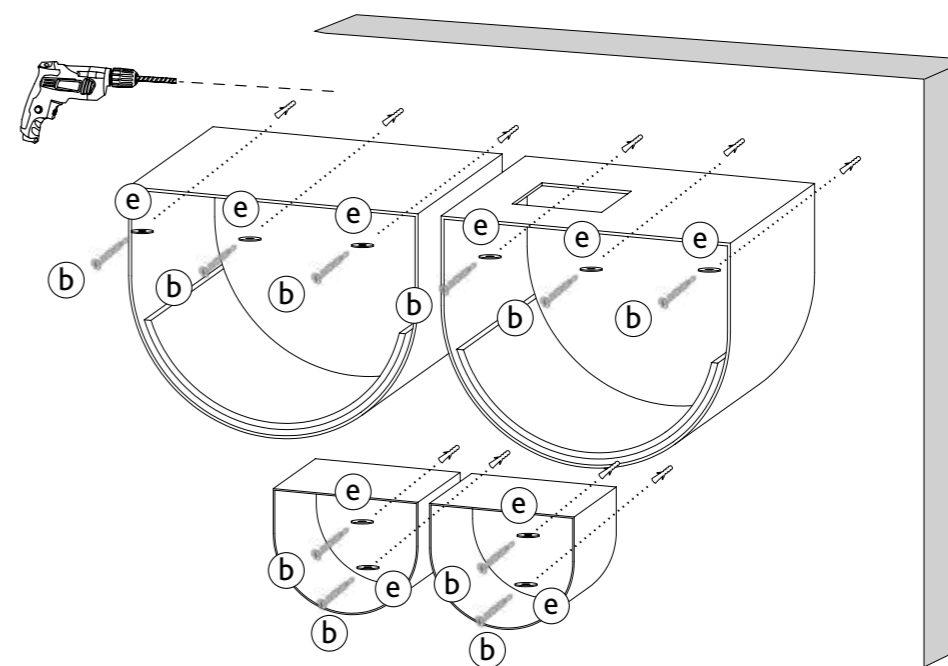
Final Step

Mount the condo and steps with attached washers and wood screws to the wooden wall at pilot markings.

Advice:

Please note the secure assembly and mounting requires one adult person.

Mounting stonewall or plaster wall



EN Work steps for stone wall

First Step

Bring the product in final position and mark the screw-points in desired location. Use a spirit level or have someone eyeball to make sure the holes are levelled.

Second Step

Drill 3/16" holes, be sure to keep the drill level.

Third Step

Insert 3/16" wall anchors (not included) into drilled holes (some anchors might require a hammer).

Final Step

Mount the condos and steps with screws matching wall anchor (not included) to the wall.

Advice:

Please note the secure assembly and mounting requires one adult person.