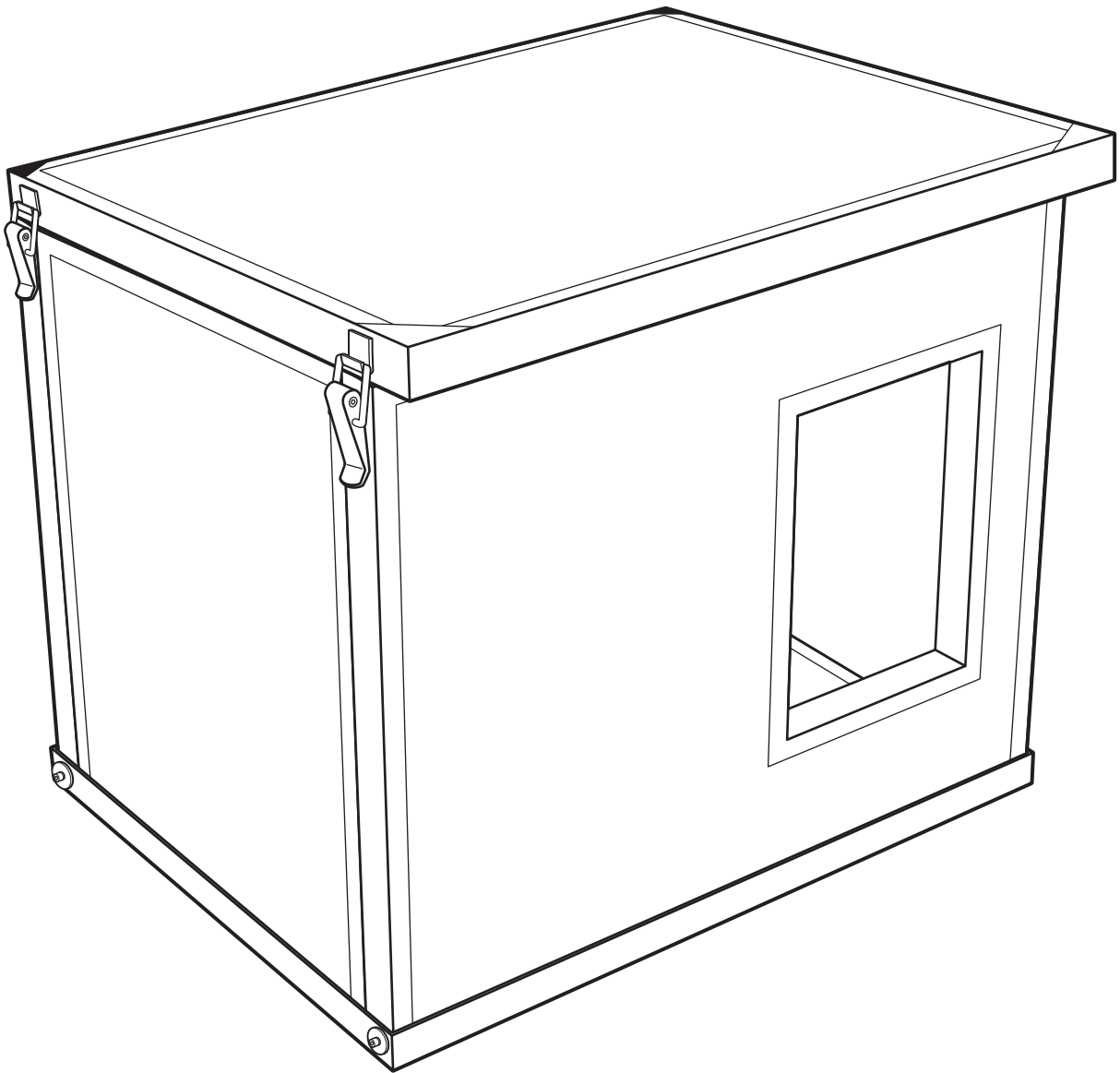
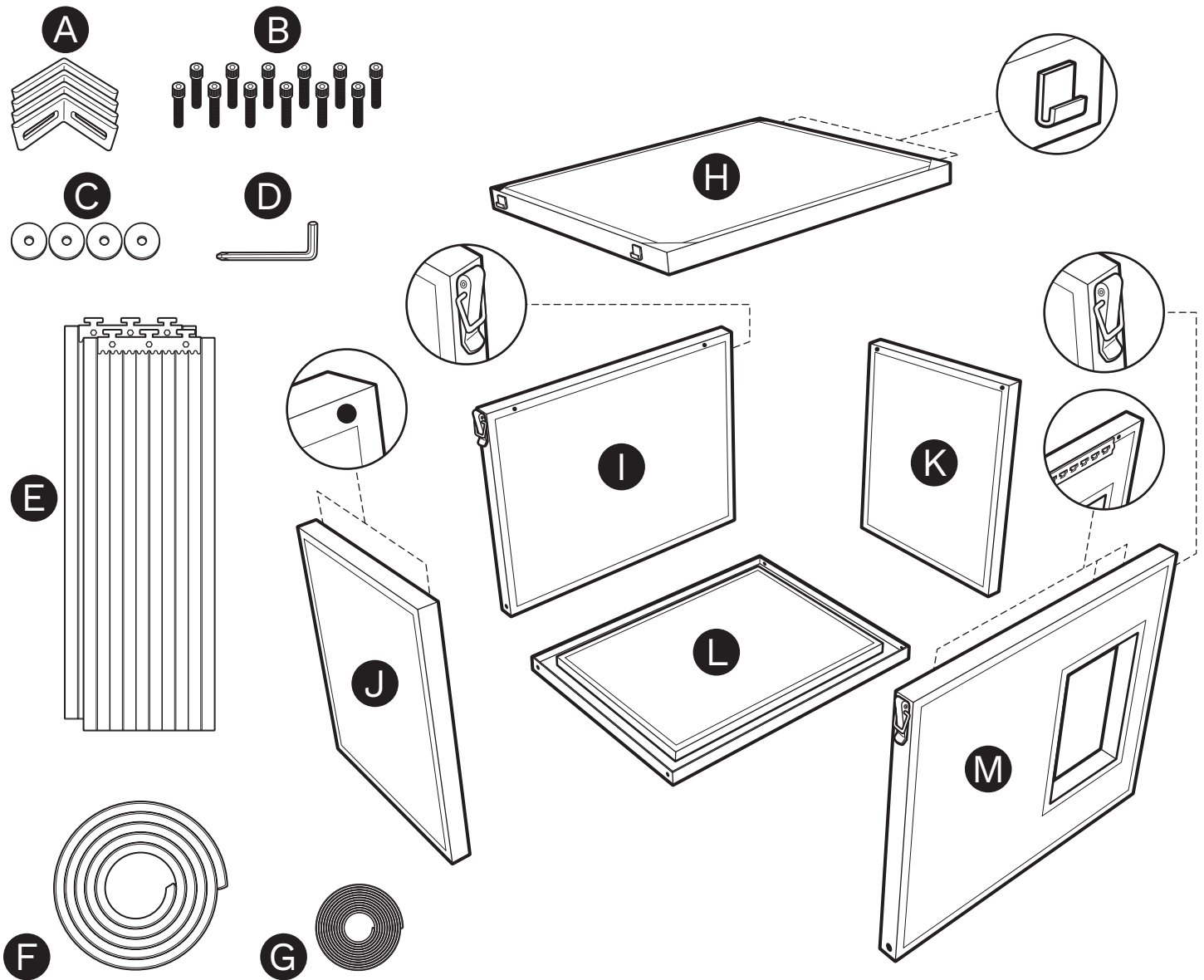


 **FARM & YARD**  
**CozyCube Insulated Dog House**

# Assembly Instructions



# Included in your CozyCube:



## Accessory Pack:

- A. 4 x "L" brackets
- B. 12 x M5 Bolts
- C. 4 x M5 Washers
- D. 1 x Allen Key

- E. 2 x Curtains
- F. 18mm x 8mm rubber seal (for the top of the panels)

- G. 30mm x 3mm neoprene seal (for the side gaps if required)

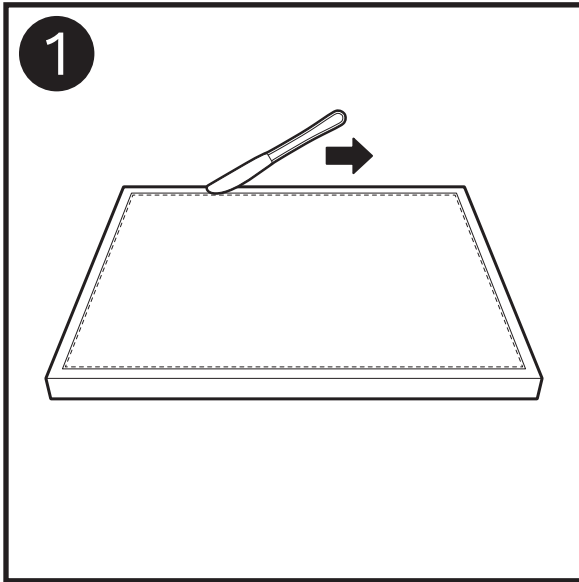
## Panels:

- H. Roof Panel
- I. Rear Panel

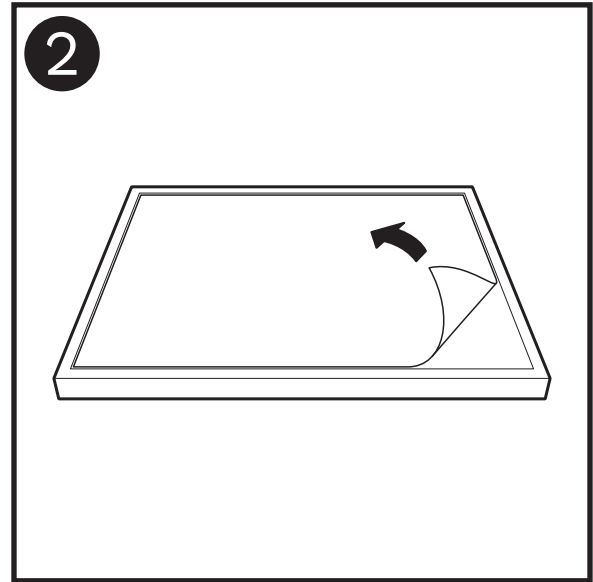
- J. Left Panel
- K. Right Panel

- L. Base Panel
- M. Door Panel

**IMPORTANT:** Each panel is covered by a thin protective sheet of plastic on both sides. This is essential for transit but **MUST** be removed prior to assembly. Sometimes this layer of plastic is hard to see – it's easiest to start by teasing the plastic layer away from the edges first. **Failure to remove this plastic will void any warranty claims.**

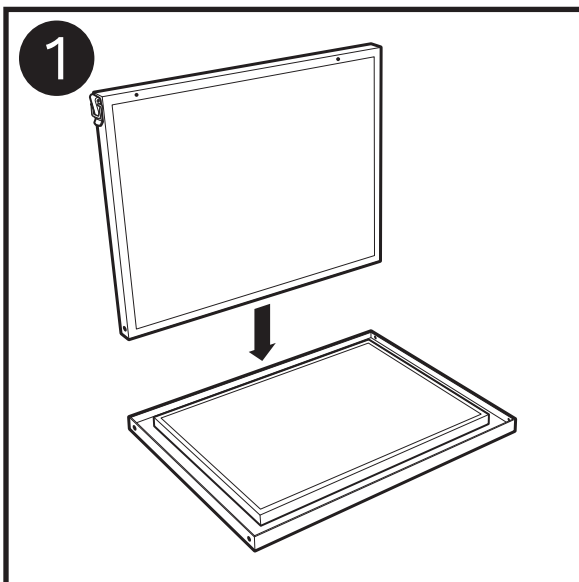


With a mildly serrated butter knife or similar, score the plastic around the edges of the aluminium channel, ensuring you don't press too hard and cut into the painted surface.

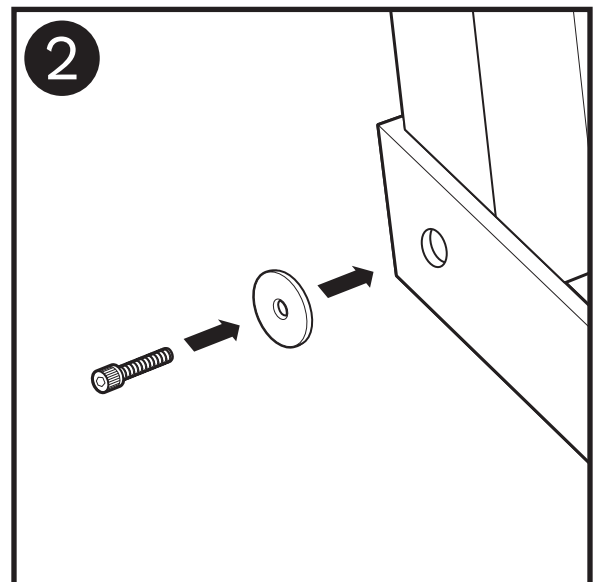


Tease the plastic away from one corner and pull towards the diagonal corner to remove the plastic in one full sheet.

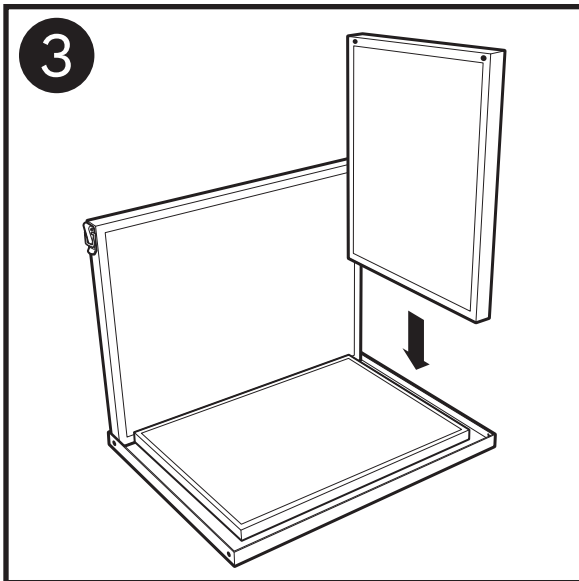
## Assembly



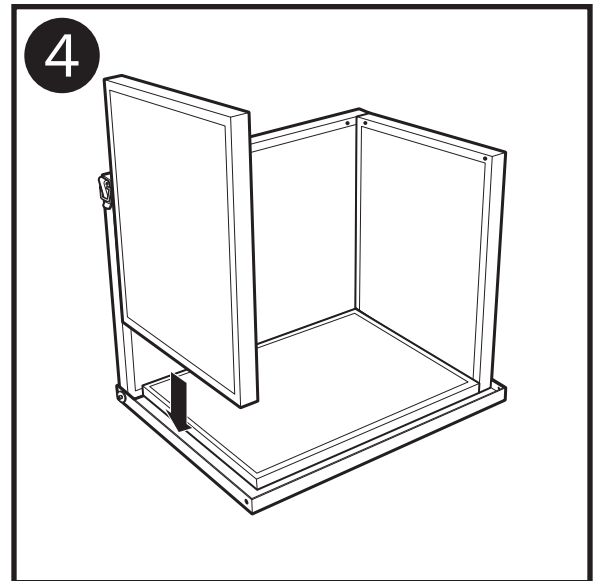
Identify the base frame. Insert the rear panel into the rear of the base frame. Ensure the gold thread rivet holes are at the top and facing inwards.



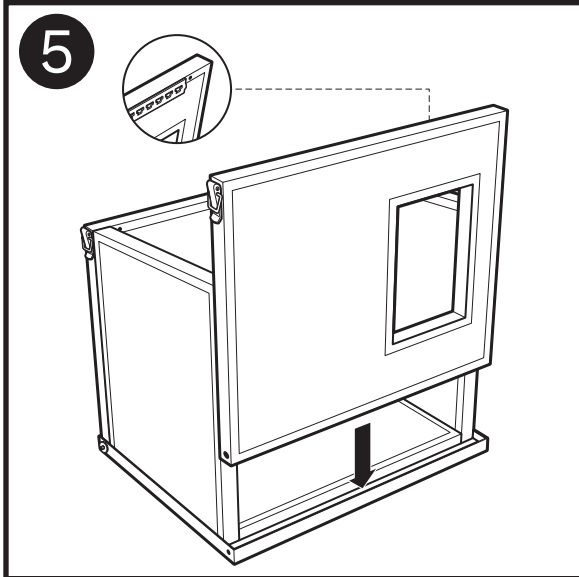
Using an M5 bolt and washer, insert the bolt through the base frame and into the corresponding thread rivet hole in the bottom of the rear frame. Tighten snugly, but don't over tighten.



Insert the right panel into the base frame with the rear of the side panel matching the height of the rear panel and the gold thread rivet holes facing towards the inside.

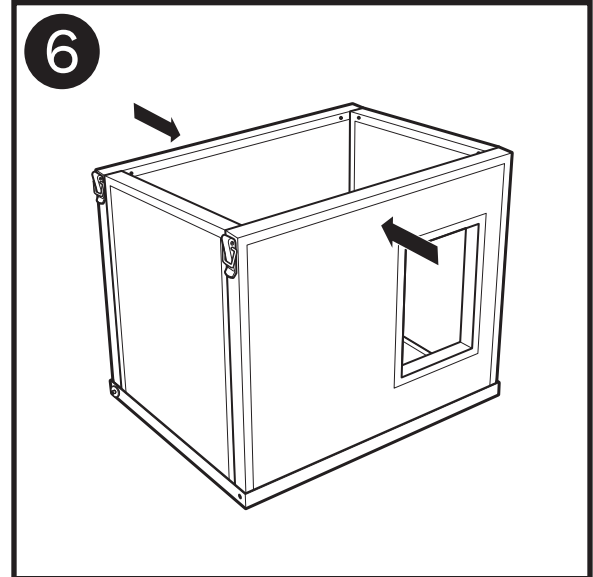


Insert the left panel into the base frame with the rear of the side panel matching the height of the rear panel and the gold thread rivet holes facing towards the inside.

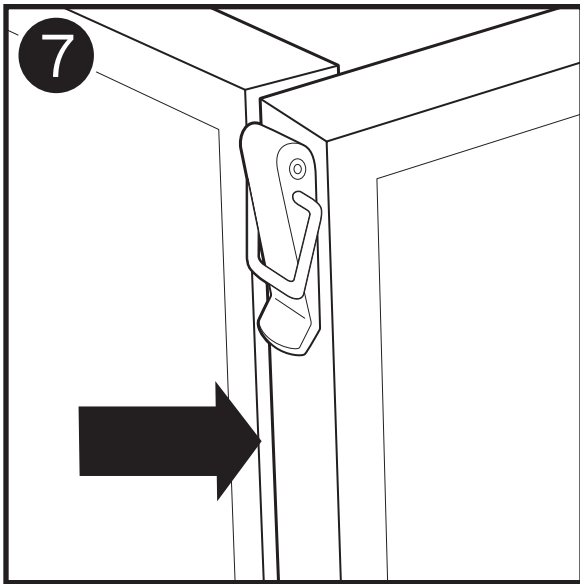


Ensuring the silver curtain rail and gold thread rivet holes are at the top and facing inwards, insert the front panel to fit in the front of the base frame.

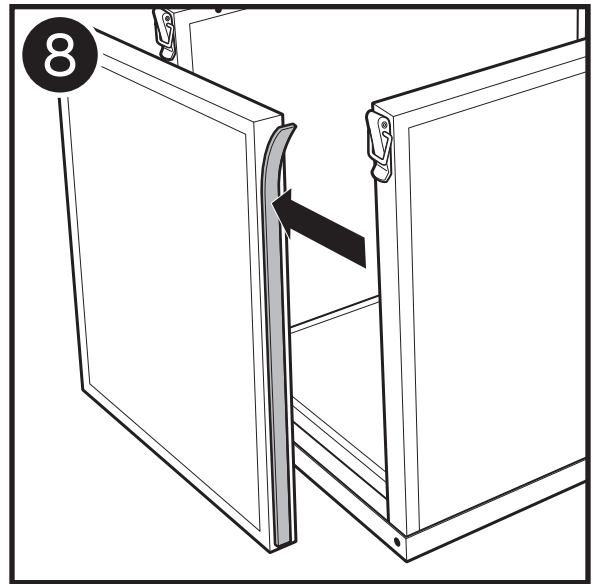
**DO NOT SCREW IN YET.**



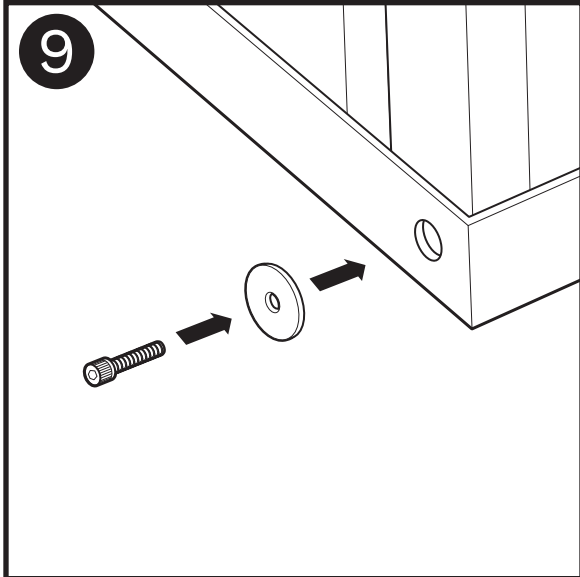
At this stage push the front and rear panels hard up against the side panels and check for any gaps between the two.



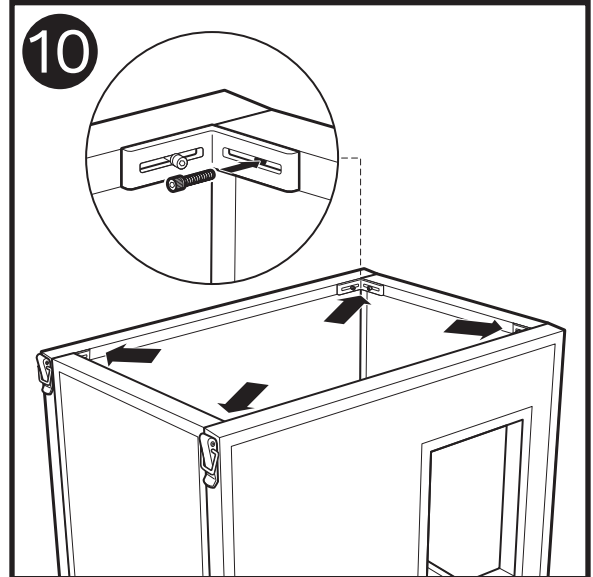
If there are any small gaps, take note of where they are and remove the front panel to access the side panels.



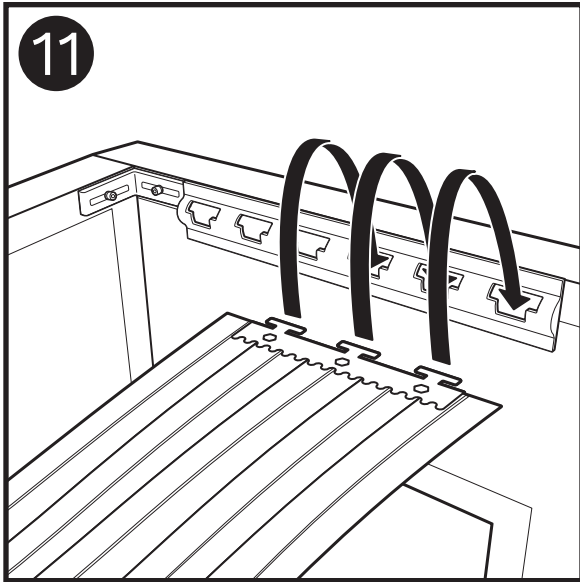
The included 3mm foam is self-adhesive. Remove the backing and stick the foam on the end outside edge of the side panel (foam can be placed on one or both ends, wherever there are gaps).



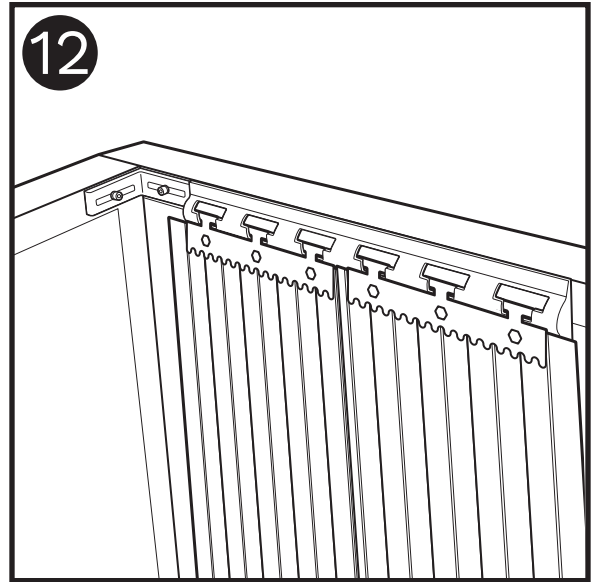
Replace all panels in their correct positions. Using M5 bolts and washers, fix the front panel to the base frame by inserting the bolt through the base frame and into the corresponding thread rivet hole in the bottom of the front frame. Tighten snugly, but don't over tighten.



Using the L brackets and M5 bolts supplied, fasten each corner together on the inside of the kennel by aligning the L brackets with the corresponding gold thread rivets and finger-tighten bolts only. Once all L brackets are in place, butt each corner together firmly and tighten the bolts snugly, but don't over tighten.



Attach curtains to the curtain rail by sliding the curtain bracket into the rail slots at the top and folding the curtain down to vertical. Referencing the picture below, ensure the nut side of the bracket bolts face inwards.

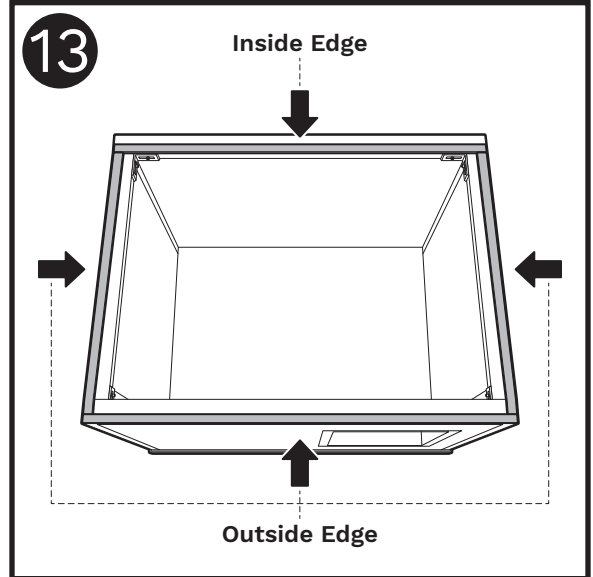


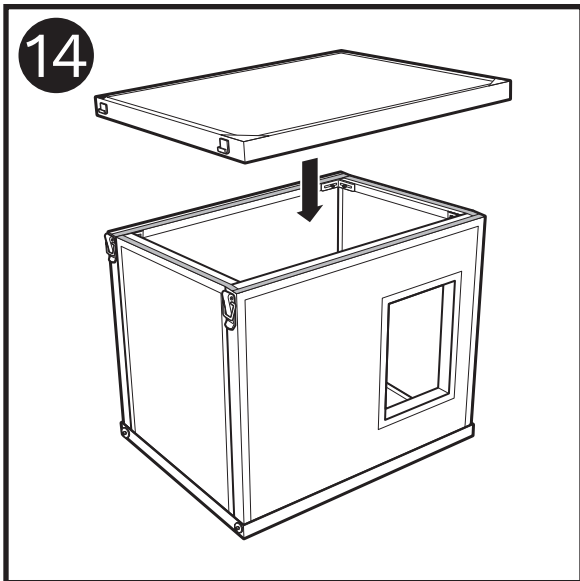
**NOTE:** Ingestion of plastics can be harmful to animals. Do not install these curtains if your dog may chew them.

The picture to the right depicts the required positioning of the 18mm x 8mm rubber seal.

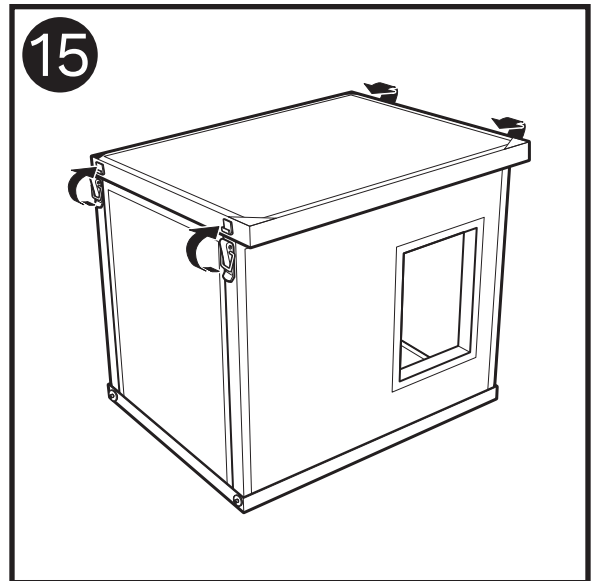
Remove the backing from the seal and carefully stick the seal on top of the panels exactly like the picture to the right. **Noting:**

- A. Seal on the Rear panel goes on the **INSIDE** of the Rear frame.
- B. Seal on the Left panel goes on the **OUTSIDE** of the Left frame.
- C. Seal on the Right panel goes on the **OUTSIDE** of the Right frame.
- D. Seal on the Door panel goes on the **OUTSIDE** of the Door frame.





Ensure the chrome corner caps are on the top-side of the panel at the rear and the white corner caps are facing the front.



Place roof panel squarely on top of the wall panels, align with the clips on each corner and secure.

**IMPORTANT NOTES:**

- Be sure to safely dispose of all packing material and keep out of reach of animals
- Ensure you wear the safety gloves provided