

WARNING: Changes or modifications to this unit not expressly approved by the party responsible for compliance could void the user authority to operate the equipment.

NOTE: This equipment has been tested and found to comply with the limits for a Class B digital device, pursuant to Part 15 of the FCC Rules. These limits are designed to provide reasonable protection against harmful interference in a residential installation. This equipment generates, uses, and can radiate radio frequency energy and, if not installed and used in accordance with the instructions, may cause harmful interference to radio communications. However, there is no guarantee that interference will not occur in a particular installation. If this equipment does cause harmful interference to radio or television reception, which can be determined by turning the equipment off and on, the user is encouraged to try to correct the interference by one or more of the following measures:

- Reorient or relocate the receiving antenna.
- Increase the separation between the equipment and receiver.
- Connect the equipment into an outlet on a circuit different from that to which the receiver is connected.
- Consult the dealer or an experienced radio/TV technician for help.

This device complies with Part 15 of the FCC Rules. Operation is subject to the following two conditions:

- (1) This device may not cause harmful interference, and
- (2) This device must accept any interference, including interference that may cause undesired operation of the device.

This device complies with Industry Canada's license-exempt RSSs. Operation is subject to the following two conditions:

- (1) This device may not cause harmful interference; and
- (2) This device must accept any interference, including interference that may cause undesired operation of the device.

The packaging must be retained since it contains important information.

CAUTION: Please read these carefully before using:

1. Only adults should install and replace batteries.
2. Rechargeable batteries are only to be charged by an adult.
3. Non-rechargeable batteries are not to be recharged.
4. If the device has not been used for a long time, remove the batteries.
5. Do not mix old and new batteries.
6. Do not mix alkaline, standard (carbon zinc) or rechargeable (nickel cadmium) batteries.
7. Exhausted batteries are to be removed from the toy.
8. The supply terminals are not to be short-circuited.
9. Only batteries of the same or equivalent type as recommended are to be used.
10. Batteries are to be inserted with the correct polarity.
11. Do not dispose of batteries in fire, batteries may explode or leak.
12. Batteries may explode or leak if misused.
13. Do not leave the rechargeable battery unused for an extended period of time. Rechargeable battery has a limited lifespan and will gradually lose its capacity to hold its charge. To maximize the lifespan of the rechargeable battery, we recommending charging the battery to approximately 80% of its capacity at least once every six months, or soon after each play.

Transformer Ratings-Input: 100-240VAC 50-60Hz 0.35A; Output: 5V = 1A / 2A

Conforms to the safety requirements of ASTM F963 and FCC regulations.

Conforms to the toy regulations of Canada consumer product safety act.

Conforms to the safety requirements of EN71

CAN ICES-3(B)/NMB-3(B)



CAUTION : Do not mix old and new batteries. Do not mix alkaline, standard (carbon-zinc), or rechargeable (ni-cad,ni-mh, etc) batteries. Always replace the whole set of batteries at one time.

DISPOSAL OF USED BATTERIES



Battery may contain hazardous substances which could endanger the environment and human health. This symbol marked on the battery and/or packaging indicates that used batteries should not be treated as municipal waste. Batteries should be disposed at an appropriate collection point for recycling. By ensuring the used batteries are disposed of correctly, you will help prevent potential negative consequences for the environment and human health. The recycling of materials will help to conserve natural resources. For more information about recycling of used batteries, please contact your local municipality waste disposal service.



Ford Motor Company
Trademarks and
Trade Dress used
under license to
Kid Galaxy, Inc.

©2024 Kid Galaxy, Inc. All Rights Reserved.
Kid Galaxy, Inc. 150 Dow St. Manchester, NH 03101 U.S.A.
MADE IN CHINA.

1-800-816-1135 | Visit our website! www.kidgalaxy.com

TROUBLESHOOT HELP. CALL US! 1-800-816-1135 or email: customerservice@kidgalaxy.com

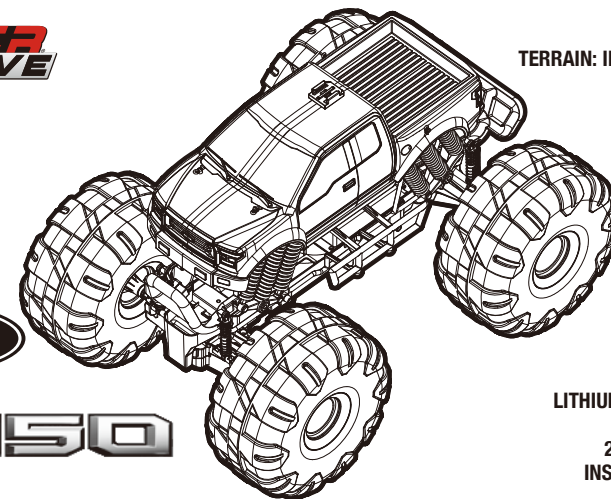


**POWER
DRIVE**

**FOR AGES: 8+
TERRAIN: INDOOR/OUTDOOR**



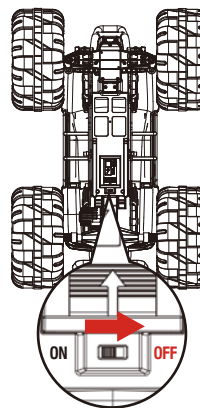
F150



**INCLUDES:
RECHARGEABLE
LITHIUM ION BATTERIES
CONTROLLER
2-AAA BATTERIES
INSTRUCTION SHEET**

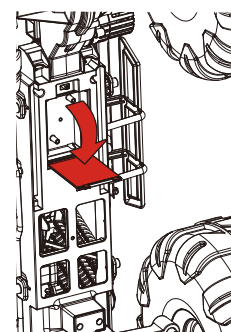
CHARGE VEHICLE Fully charge battery first time charging.

1



2

Take the built-in USB charging cable from here



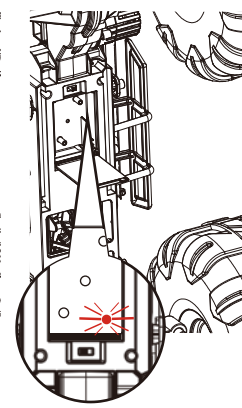
3

Connect USB cable to any brand of 5V = 1A/2A rated power source.



4

Lights ON = Charging
Lights OFF = Fully charged



- Batteries are only to be charged by adults.
- Wall plug for power source is not included.
- Battery charger shall be regularly examined for damage to cord, plug enclosure and other parts, and, they must not be used until the damage has been repaired.
- The battery for vehicle not replaceable.

BATTERIES: Vehicle requires 1-9.6V rechargeable battery (included) • Controller requires 2-AAA batteries (included)

CAUTION:

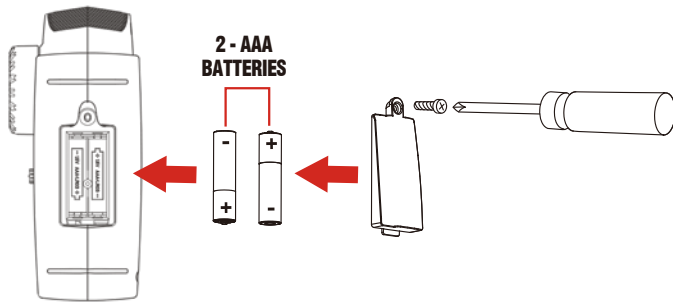
- **NOT A RIDE-ON TOY. NOT INTENDED TO BEAR WEIGHT OF A CHILD.**
- **DO NOT DRIVE ON TALL GRASS, SAND, OR TRAVEL THROUGH WATER. THERE IS RISK OF SHORT CIRCUIT OR CIRCUIT DAMAGE, IF THE CIRCUIT BOARD OF THE TRUCK GETS WET.**
- **DO NOT DRIVE IN RAIN, SNOW, OR BLIZZARD CONDITIONS.**
- **RECOMMEND PLAYING THE TRUCK ON FLAT SURFACE. JUMPING THE TRUCK OFF SOME LARGE OBSTACLES OR ROCKS MAY CAUSE DAMAGES ON TRUCK.**
- **DO NOT MODIFY TRUCK OR THE CIRCUIT BOARD OF THE TRUCK TO AVOID DAMAGE.**
- **AVOID DIRECT IMPACT WITH OBJECTS...BUT IT HAPPENS.**
- **SWITCH OFF POWER WHEN NOT IN USE.**
- **KEEP HAIR, FINGERS, AND LOOSE CLOTHING AWAY FROM MOVING WHEELS.**



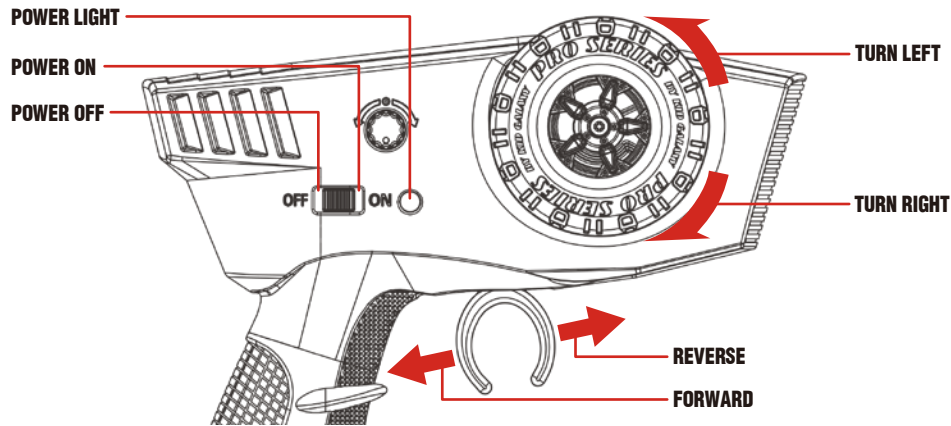
CAUTION: HAIR ENTANGLEMENT -
Tie back and cover hair and secure loose clothing prior to play.

CONTROLLER

REMOTE BATTERY INSTALL

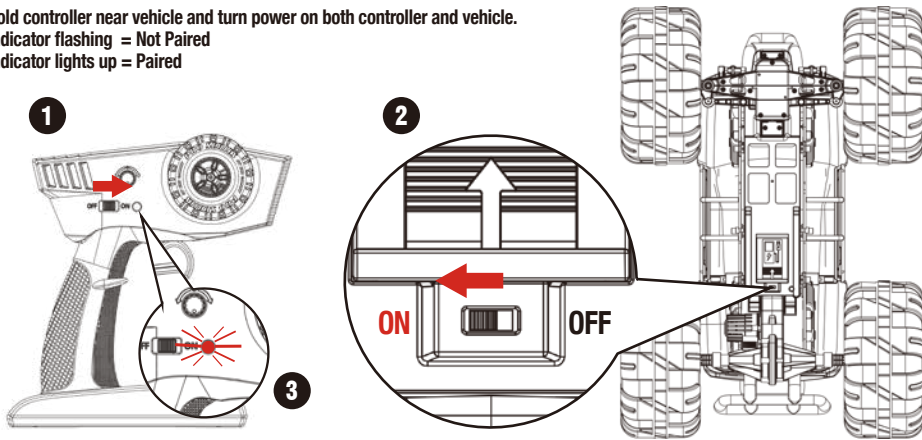


CONTROLS



PAIRING

Hold controller near vehicle and turn power on both controller and vehicle.
Indicator flashing = Not Paired
Indicator lights up = Paired



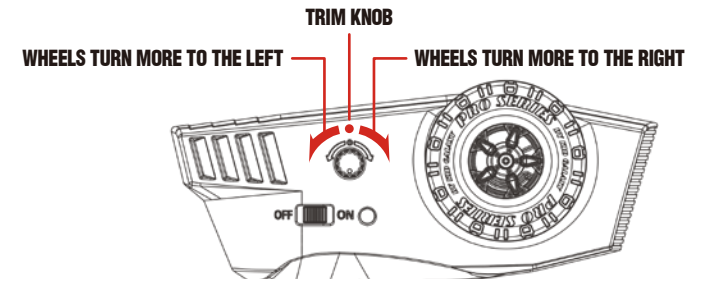
TROUBLE SHOOTING TIPS

If truck does not connect to controller first time, turn truck off, remove batteries from controller, and repeat installation instructions to pair controller with vehicle.

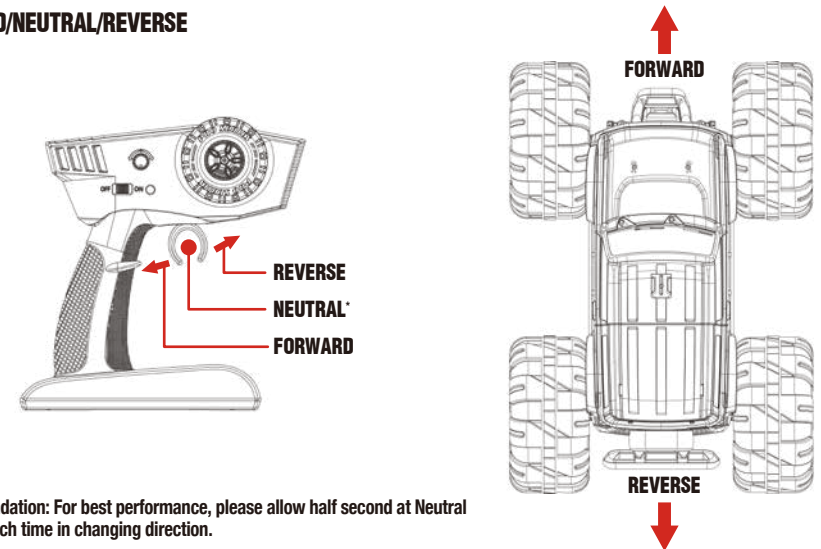
CONTROLLER

ALIGNMENT

Adjust before each use.

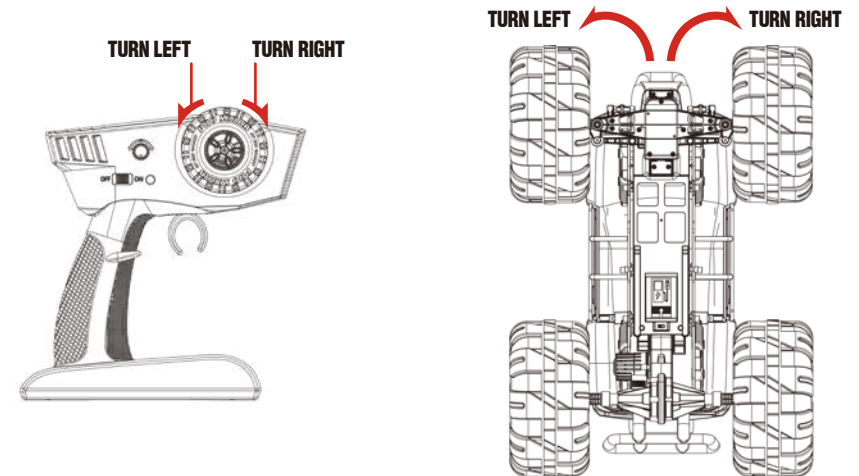


FORWARD/NEUTRAL/REVERSE



*Recommendation: For best performance, please allow half second at Neutral position each time in changing direction.

TURNING



TROUBLESHOOT HELP. CALL US! 1-800-816-1135 or email: customerservice@kidgalaxy.com

