



# Dust Collector

## OPERATOR'S MANUAL

**MODEL NUMBER**  
**SC0075**

**SERIAL NUMBER**

**PURCHASE DATE**

Both model number and serial number may be found on the main label. You should record both of them in a safe place for future use.



---

### WARNING

Carefully read and understand this entire operator's manual before installing and using this product. Pay attention to all the cautions and warnings.

---

## Shopmax Tools and Machines for your Shop

Shopmax manufactures a full line of rugged, long-lasting shop tools in several categories, including band saws, drill presses, shop vacuums, and more. As with sister company YARDMAX, expect professional quality, and is easy and safe to operate. With proper use and care, it is designed to give you many years of dependable service.

Prepare to experience the durability to take on any job — with the ease and portability.

## MAX Performance, MAX Value, MAX Support

- ✓ Backed by decades of proven manufacturing expertise
- ✓ Enhanced design features come standard
- ✓ Engineered for the best user experience
- ✓ Quality metal parts are used instead of plastic
- ✓ A robust warranty supports all products
- ✓ Budget-friendly prices make it practical



*Up for the job? SHOPMAX is.*

# TABLE OF CONTENTS

Introduction	1
Specifications	3
Symbols	3
Safety	4
Contents Supplied	7
Assembly	8
Know Your Machine	9
Operation	10

Maintenance	10
Transport	11
Storage	11
Wiring Diagram	11
Trouble Shooting	12
Parts Schedule	14
Parts List	15
Warranty	16

**WARNING** ⚠

Carefully read through this entire operator's manual before using your new machine. Pay attention to all cautions and warnings.

**CALIFORNIA PROPOSITION 65 WARNING**

**WARNING** ⚠

Cancer and Reproductive Harm. [www.P65Warnings.ca.gov](http://www.P65Warnings.ca.gov).

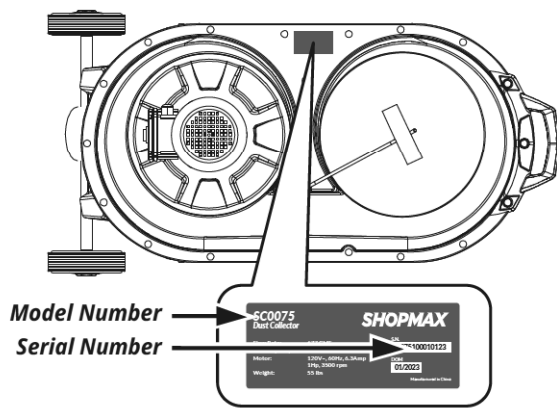
**ENVIRONMENTAL**



*Recycle unwanted materials instead of disposing of them as waste. All tools, hoses, and packaging should be resorted, taken to the local recycling center and disposed of in an environmentally safe way.*

**MODEL AND SERIAL NUMBERS**

Record the model and serial number as well as date and place of purchase for future reference. Have this information available when ordering parts or optional accessories and when making technical or warranty inquiries.



**DISCLAIMER**

YARDMAX reserves the right to discontinue, change, and improve its products at any time without notice or obligation to the purchaser. The descriptions and specifications contained in this manual were in effect at printing. Equipment described within this manual may be optional. Some illustrations may not be applicable to your unit.

**SUPPORT**

Have questions about your SHOPMAX equipment? Call us at 847-327-0566 or 844-YARDMAX, email us at [info@shopmax.com](mailto:info@shopmax.com) for a replacement.

## SPECIFICATIONS

Model Number	SC0075
Motor	120V
Power	0.74HP
Maximum Air Flow Capacity	677 CFM
Interior Hose Diameter	3.94"
Tank Capacity	20 Gal.
Decibel(Sound) Rating	79.20 dB(A)
Product Depth	37.8"
Product Width	20.08"
Product Height	59.84"
Weight	55 lbs

### SYMBOLS

The rating plate on your machine may show symbols. These represent important information about the product or instructions on its use.



Indicates a potential personal injury hazard.



Read these instructions carefully.



Wear eye protection.



Wear hearing protection.



Wear mask. Dust which is injurious to health can be generated



Keep your hands away from air inlet



Do not touch parts that are hot from operation. Serious burns may result.



Don't turn the air inlet to person



The machine must be disconnected from the supply before maintenance

# SAFETY

## SIGNAL SAFETY WORDS DEFINITION

The definitions below give the level of severity for each signal word.

### DANGER

This symbol is used to indicate a hazardous situation which, if not avoided, will result in serious injury or death.

### WARNING

This symbol points out safety instructions. Read and follow all instructions before attempting to operate this product. Failure to comply with these instructions could result in serious injury or death.

### CAUTION

This symbol indicates a hazard, which, if not avoided, may result in minor injury, moderate injury, or property damage.

### NOTE

This information makes the product easier to use.

## GENERAL SAFETY RULES

### Understand your Machine

Read this manual and labels affixed to the machine to understand its limitations and potential hazards.

Be thoroughly familiar with the controls and their proper operation. Know how to stop the machine and disengage the controls quickly.

Do not attempt to operate the machine until you fully understand how to properly operate and maintain the machine and how to avoid accidental injuries and/or property damage.

If the unit is to be used by someone other than original purchaser or loaned, rented, or sold, always provide this manual and any needed safety training before operation. The user can prevent and is responsible for accidents or injuries that may occur to themselves, other people, and property.

Do not force the machine. Use the correct machine for your application. The correct machine will do the job more efficiently and safer at the rate it was designed.

### Personal Safety

Do not permit children to operate this machine at any time.

Keep children, pets, and other people not using the unit away from the work area. Be alert and shut off unit if anyone enters work area. Keep children under the watchful care of a responsible adult.

Do not operate the machine while under the influence of drugs, alcohol, or any medication that could affect your ability to use it properly.

Dress properly. Wear heavy long pants, boots. Do not wear loose clothing, short pants, or jewelry of any kind. Secure long hair so it is above shoulder level. Keep your hair, clothing, away from moving parts. Loose clothes, jewelry, or long hair can be caught in moving parts.

Protect eyes, face, and head from objects that may be thrown from the unit. Always wear safety goggles or safety glasses with side shields when operating.

Wear appropriate hearing protection. Wear respiratory protection to avoid the risk of inhaling harmful dust.

Always keep hands and feet away from all moving parts during operation. Moving parts can cut or crush body parts.

Always keep hands and feet away from all pinch points.

Do not touch parts that might be hot from operation. Allow parts to cool before attempting to maintain, adjust, or service.

Stay alert, watch what you are doing, and use common sense when operating the machine.

Do not overreach. Do not operate the machine while barefoot or when wearing sandals or similar lightweight footwear. Wear protective footwear that will protect your feet and improve your footing on slippery surfaces. Keep proper footing and balance at all times. This enables better control of the machine in unexpected situations.

### Inspect your Machine

Check your machine before starting it. Keep guards in place and in working order. Make sure all nuts, bolts, etc., are securely tightened.

Never operate the machine when it is in need of repair or is in poor mechanical condition. Replace damaged, missing, or failed parts before using it. Keep the machine in safe working condition. Regularly check to see that keys and adjusting wrenches are removed from the machine area before starting it. A wrench or a key that is left attached to a rotating part of the machine may result in personal injury. Avoid accidental starting. Be sure the motor switch is off before transporting the machine or performing any maintenance or service on the unit.

Transporting or performing maintenance or service on a machine with its switch on invites accidents. If the machine should start

to vibrate abnormally, stop the motor and check immediately for the cause. Vibration is generally a warning sign of trouble.

### **Electric Safety**

Protect yourself from electric shock. Do not plug or unplug the motor while standing in or around damp or wet ground. Do not use the unit in wet or damp areas or expose it to rain. Prevent body contact with grounded surfaces: pipes, radiators, ranges, and refrigerator enclosures. Make sure your fingers do not touch the plug's metal prongs when plugging or unplugging the unit.

Avoid inadvertent starting. Make sure that the switch is switched off when plugging the plug into an outlet.

Only use approved and appropriately identified extension cables for use outdoors. Only use cable reels in the unrolled state.

Do not use the cable for purposes for which it is not intended. Do not use the cable to pull the plug out of the outlet. Protect the

cable from heat, oil and sharp edges.

Have your electric tool repaired by a qualified electrician. This electric tool conforms to the applicable safety regulations. Repairs may only be performed by an electrician using original spare parts. Otherwise accidents can occur.

### **Work Area & Store Area**

Keep the work area orderly. Disorder in the work area can lead to accidents.

Take environmental influences into account. Do not expose electric tools to rain. Do not use electric tools in a damp or wet environment. Make sure that the work area is well-illuminated. Do not use electric tools where there is a risk of fire or explosion.

Securely store unused electric tools. Unused electric tools should be stored in a dry, elevated or closed location out of the reach of children.

## **Specific Safety Rules**

### **Intended Use**

Do not force tool or attachment to do a job for which it was not designed.

- This dust collector is designed to collect sawdust only.
- Never attempt to use this dust collector to vacuum water or any other liquids.
- Never try to use this dust collector to collect large wood pieces.
- Never attempt to use this dust collector to collect flammable or combustible dust/gas. Do not use near any flammable or combustible liquids.
- Never attempt to use this dust collector to collect anything that is burning or smoking.
- Do not use outdoors or on wet surfaces. Rain or moisture entering the dust collector motor housing/canister increases the risk of electrical shock.
- Never attempt to use this dust collector to collect metal materials such as screws, nails or other metal parts.

Please note that our equipment has not been designed for use in commercial, trade or industrial applications. Our warranty will be voided if the machine is used in commercial, trade or industrial businesses or for equivalent purposes.

### **Safety Instructions for the Handling of Dust Collector**

- Know your tool. Learn the tool's operation, application and specific limitations.
- Disconnect tool when changing the filter cartridge or filter bag.
- Avoid accidental start-up. Make sure that the tool is in the OFF position before plugging in.

- Do not force tool. It will work most efficiently at the rate for which it was designed
- Leave hands free to operate machine. Protect hands from possible injury
- Never leave tool running unattended. Turn the power off and do not leave tool until it comes to a complete stop.
- Do not overreach. Keep proper footing and balance.
- Never stand on tool. Serious injury could occur if tool is tipped over.
- Keep hands away from moving parts.
- Keep visitors at a safe distance from work area.
- Children must always be supervised in order to ensure that they do not play with the equipment.

### **Maintenance and Repair**

- Pull out the mains plug for any adjustment or repair tasks.
- Repairs are to be carried out only by a qualified electrician using original replacement parts or the user may suffer an accident.
- Regularly inspect the filter for damage. Replace damaged filters!
- Check tightness of the housing and of the sealing of filter and filter bag regularly.
- Inspect the power cords for damage on a regular basis. Make sure that during this inspection the power cord is not connected to the mains supply.
- Have damaged switches replaced by a customer service workshop.

- Refit all guards and safety devices immediately after you have completed any repairs or maintenance work.
- Check that the moving parts are in good working order, that they do not jam, and that no parts are damaged.
- Make sure that all parts are fitted correctly and that all other operating conditions are properly fulfilled
- Remove adjusting tools. Form habit of checking to see adjusting tools or accessories are removed before switching tool on.
- Faults on the machine have to be reported to the person in charge as soon as they are discovered.

### **Residual Risks**

The manufacturer shall not be liable for any changes made to the machine nor for any damage resulting from such changes. Even when the machine is used as prescribed it is still impossible to eliminate certain residual risk factors during work.

- Wear proper apparel. Do not wear loose clothing, gloves, neckties, rings, bracelets or other jewelry which may get caught in moving parts of the tool.
- Wear protective hair covering to contain long hair.
- Wear safety shoes with non-slip soles.
- Wear approved eye protection and respirator when emptying collection canister or changing filter cartridge/bags.
- Be alert and think clearly. Never operate power tools when tired, intoxicated or when taking medications that cause drowsiness.
- There is an electrical hazard when improper electrical connecting cables are being used.

- Furthermore there might be non-obvious residual risks despite all precautions.

Remaining risks can be minimized by observing the "Safety Instructions" and the "Intended Use" as well as the operating instruction in their entirety.

This machine is not intended for use by persons (including children) with reduced physical, sensory or mental capabilities, or lack of experience and knowledge.

Children should be supervised to ensure that they do not play with the appliance.

Cleaning and user maintenance shall not be made by children without supervision

This machine is intended for commercial use, for example in hotels, schools, hospitals, factories, shops, offices and rental businesses.

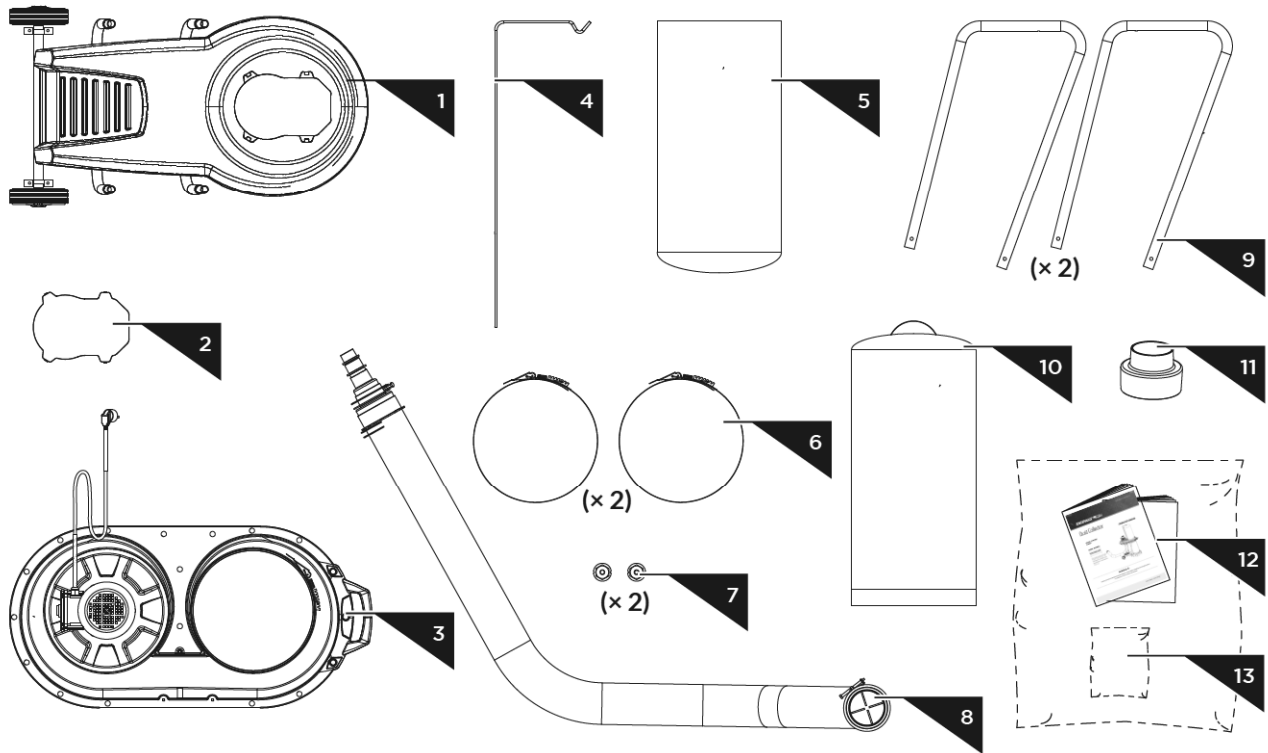
- **WARNING** Operators shall be adequately instructed on the use of these machines.
- **WARNING** This machine is not suitable for picking up hazardous dust.
- **WARNING** This machine is for dry use only.
- **CAUTION** This machine is for indoor use only.
- **CAUTION** This machine shall be stored indoors only.

The machine has to be disconnected from its power source during cleaning or maintenance and when replacing parts or converting the machine to another function:

If the supply cord is damaged, it must be replaced by the manufacturer, its service agent or similarly qualified persons in order to avoid a hazard.

# CONTENTS SUPPLIED

The dust collector comes partially assembled and is shipped in carefully packed carton. After all the parts have been removed from the carton, you should have:



No.	Description	Qty.
1	Undercarriage	1
2	Tray of Undercarriage	1
3	Housing Complete with Motor	1
4	Support Bar	1
5	Shavings Bag	2
6	Locking Strap	2
7	Wheel Cover	1
8	Suction Hose	2
9	Support Pipe	1
10	Filter Bag	1
11	Hose Adapter V	1
12	Operator's Manual	1
13	Hardware Bag	1

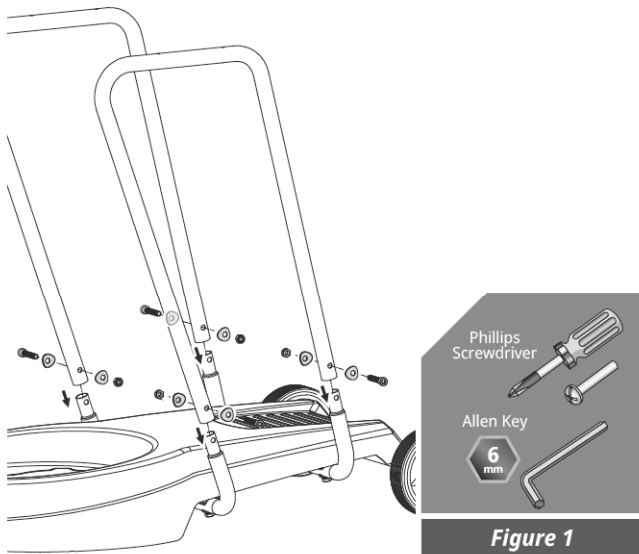
## Hardware Bag, Included:

Part	Description	Quantity
	M8 X 40	4
	M5 X 40	4
		4



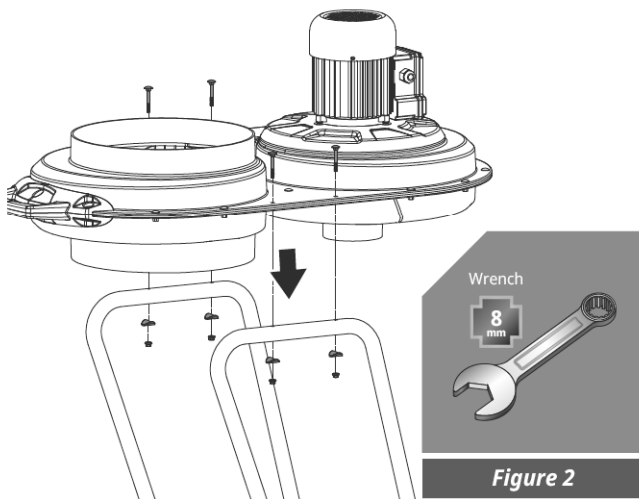
## ASSEMBLY

Insert the ends of the undercarriage U shape supports into the openings of the support pipes, and align the mounting holes. Secure the connection with M8x40 bolts, pipe washers and nuts. (See Figure 1)



Place the housing assembly on the frame of the pipe supports, align the mounting holes.

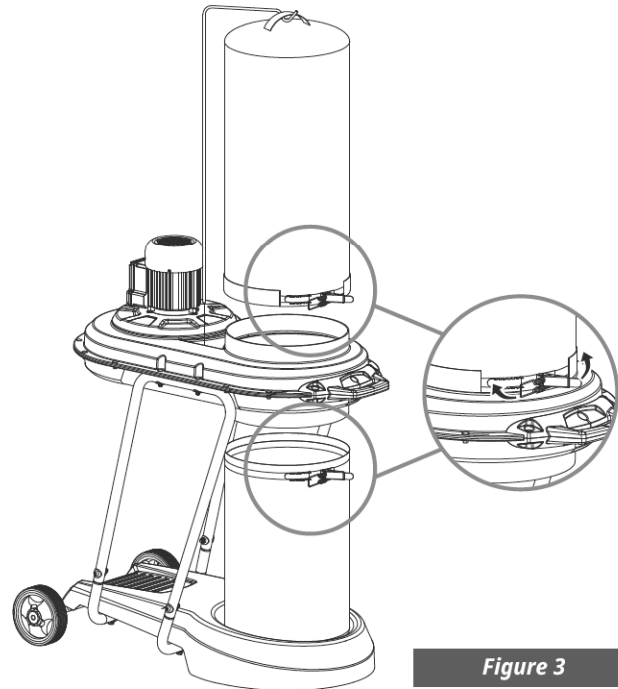
Secure the connection with M5x40 bolts, pipe washers and nuts. (See Figure 2)



Hang the filter bag on the support bar.

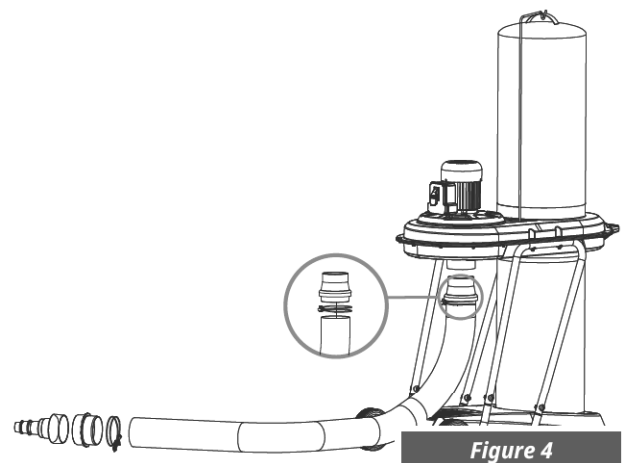
Insert the support bar into the hole on the top of the housing.

Use locking strap to fix the filter and shavings bags onto the openings on the housing. (See Figure 3)



Plug the hose coupling onto the suction inlet on the housing. Secure it in place with the supplied hose clamp.

Attach the hose coupling to the other end of the hose using a hose clamp. (See Figure 4)



# KNOW YOUR MACHINE

## FEATURES AND CONTROLS

Support Bar

Filter Bag

Housing Complete with Motor

Hose Adaptors

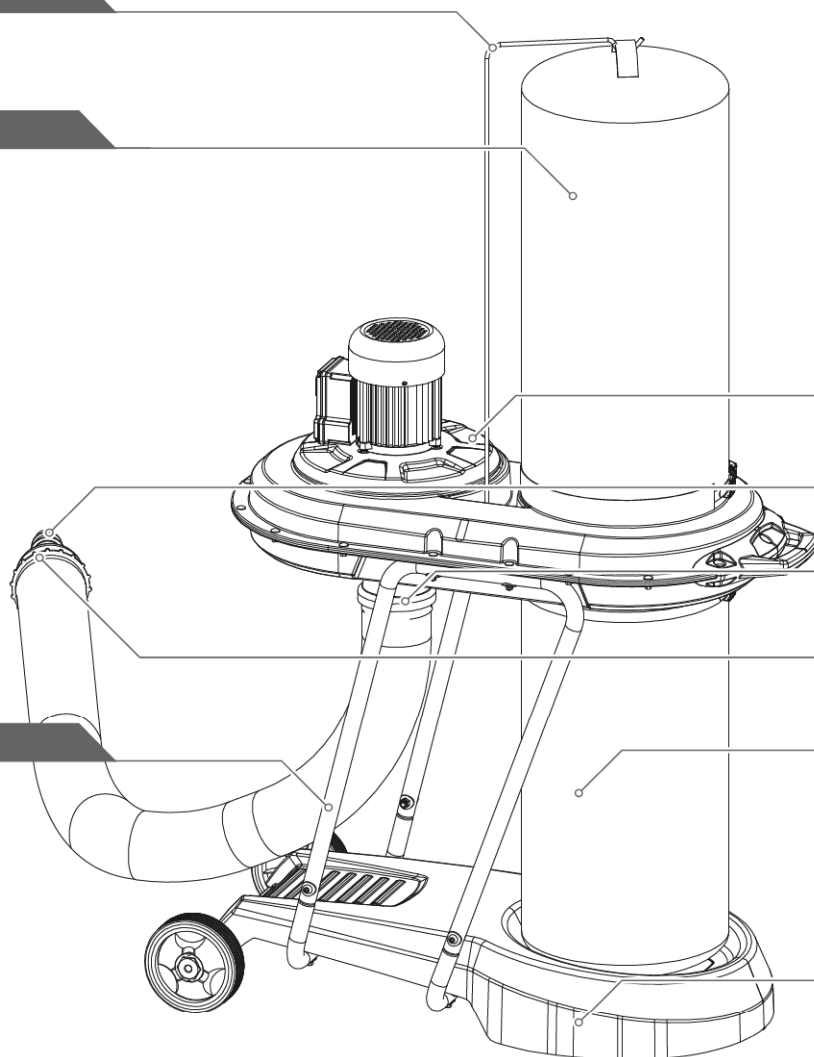
House Coupling

Hose Coupling

Support Pipe

Shavings Bag

Undercarriage with Wheels



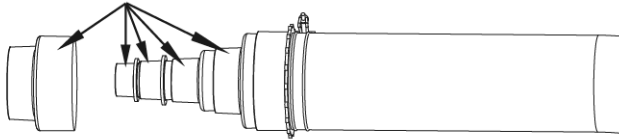
Know Your Machine - 

# OPERATION

**Before Starting**

1. Place the dust collector near the dust producing machine on a flat level surface.
2. There are five hose adapters supplied. Select the hose adapter that best fits the dust producing machine outlet and attach it to the hose coupler.

**Hose Adapters**



3. Connect the dust collector adapter to the dust producing machine outlet. Make sure the connection is secure.
4. Make sure the machine is turned OFF.
5. Connect the dust collector's power cord to the correct power source.

**To Start**

**IMPORTANT**

Turn dust collector on before starting dust producing machine.

Place the dust collector's ON/OFF switch in the ON (I) position. Turn the machine ON.

**To Stop**

**IMPORTANT**

ALWAYS turn the dust producing machine OFF before turning the dust collector OFF.

Place the dust collector's ON/OFF switch in the OFF (O) position. Turn the machine OFF.

	Hose Adapter I	Hose Adapter II	Hose Adapter III	Hose Adapter IV	Hose Adapter V
<b>Top Outer Dia.</b>	1-11/32" to 1-25/64"	1-35/64" to 1-39/64"	1-49/64" to 1-27/32"	2-43/64" to 2-3/4"	2-3/4" to 2-51/64"
<b>Top Inner Dia.</b>	1-1/8"	1-13/32"	1-19/32"	2-31/64"	2-9/16"
<b>Bottom Outer Dia.</b>	1-11/32" to 1-25/64"	1-35/64" to 1-39/64"	2-7/16" to 2-33/64"	3-53/64" to 3-59/64"	3-53/64" to 3-59/64"
<b>Bottom Inner Dia.</b>	1-1/8"	1-13/32"	2-9/32"	3-43/64"	3-43/64"

# MAINTENANCE

**DANGER**

Make sure the machine is turned off and the cord is disconnected from the power source before servicing and removing/replacing any components on the machine.

**General Maintenance Measures**

PPull the mains plug before any adjustments, maintenance or repair. Have any work on the device that is not described in this

[www.shopmax.com](http://www.shopmax.com)

instruction guide performed by a professional. Only use original parts. Allow the device to cool off before any maintenance or cleaning is undertaken.

Check the dust collector daily for loose connections, damaged wires, worn switch, full shavings bag, dirty filter bag and any other unsafe condition.

Damaged filters and bags must be immediately changed in order to keep the amount of dust that escapes into the work environment as low as possible.

### Cleaning

For constant performance, periodically shake out filter bag vigorously. Between cleanings, beating the bag with the hand several times is sufficient.

The shavings bag must be replaced at the latest when the sawdust is within 10cm of the housing collar.

Clean the equipment regularly with a damp cloth and some soft soap. Do not use cleaning agents or solvents; these could attack the plastic parts of the equipment. Ensure that no water can seep into the device. The ingress of water into an electric tool increases the risk of an electric shock.

### Lubrication

The sealed bearings in the motor have been permanently lubricated at the factory. They require no further lubrication.

## TRANSPORT

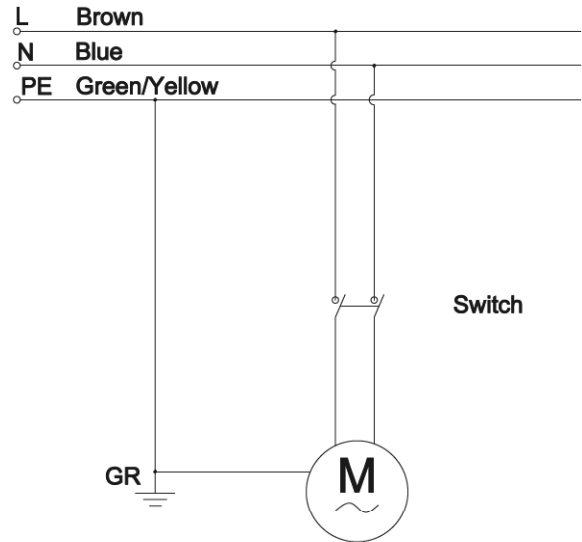
Turn off the power tool before any transport and disconnect it from the power supply.

The machine must only be lifted and transported on its top handle. Never lift the machine at the suction hose or the power cord.

## STORAGE

Store the equipment and accessories in a dark and dry place at above freezing temperature. The ideal storage temperature is between 5 and 30°C. Store the electric tool in its original packaging. Cover the electric tool in order to protect it from dust and moisture.

## WIRING DIAGRAM

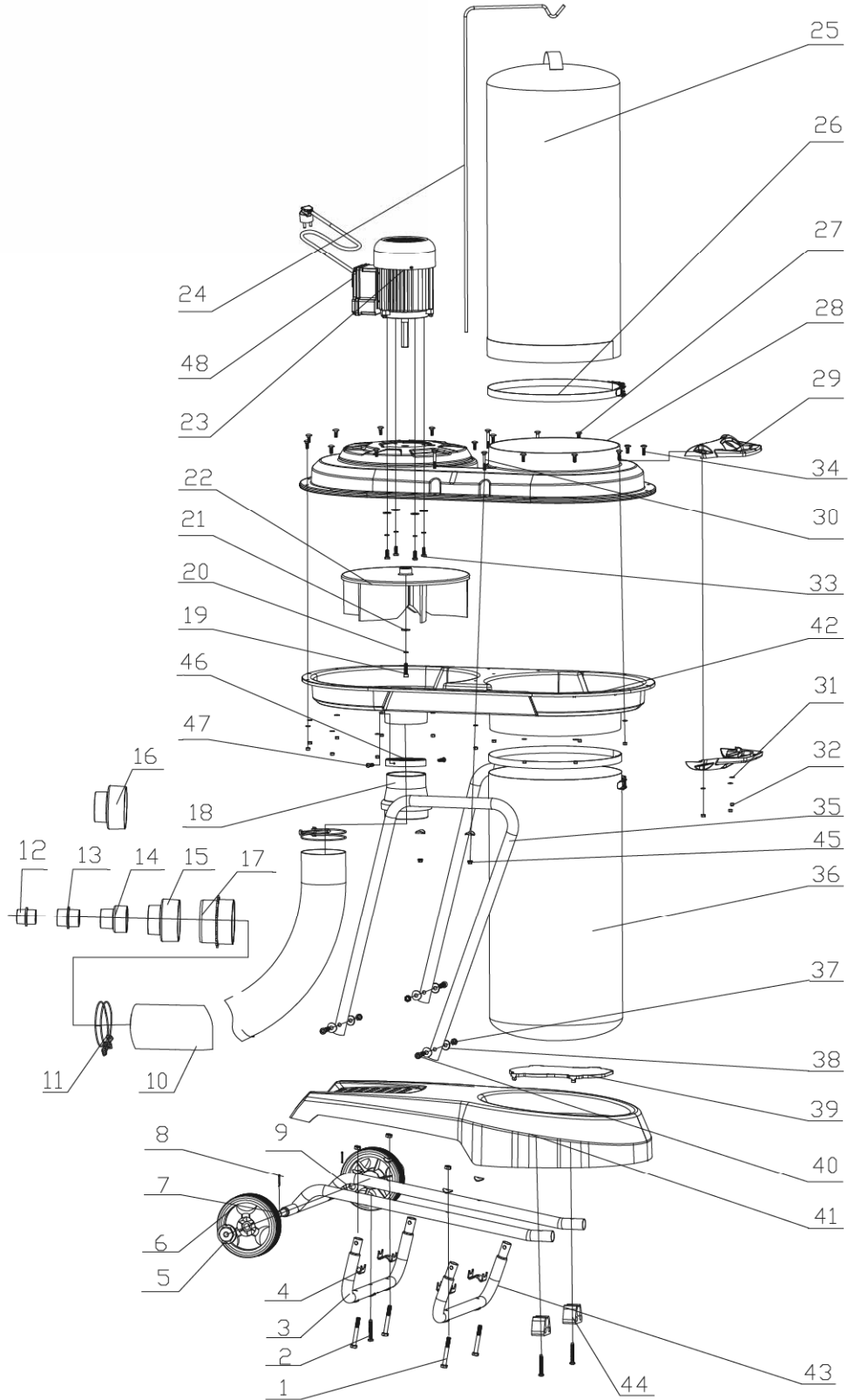


## TROUBLESHOOTING

Problem	Cause	Remedy
Device will not start	<ol style="list-style-type: none"> <li>1. No mains voltage. Main circuit breaker is tripped</li> <li>2. On switch (green) / Off Switch (red) (1) is broken</li> <li>3. Motor faulty</li> </ol>	<ol style="list-style-type: none"> <li>1. Check the socket, mains supply cable, cord, mains plug; if necessary, have them repaired the main fuse</li> <li>2. Repair by Customer Care</li> <li>3. Repair by Customer Care</li> </ol>
Motor will not run	<ol style="list-style-type: none"> <li>1. Defective or broken switch</li> <li>2. Defective or damaged power cord</li> <li>3. Open circuit, loose connections, or burned out motor</li> <li>4. Low voltage</li> </ol>	<ol style="list-style-type: none"> <li>1. Take to a qualified service technician</li> <li>2. Take to a qualified service technician</li> <li>3. Take to a qualified service technician</li> <li>4. Check the power line for the proper voltage. Use another circuit or have a qualified one</li> </ol>
Motor slow to start or fails to reach full speed	<ol style="list-style-type: none"> <li>1. Burned or defective motor</li> <li>2. Worn brushes</li> </ol>	<ol style="list-style-type: none"> <li>1. Check motor, replace if necessary</li> <li>2. Inspect brushes, replace if necessary</li> </ol>
Motor overheats	<ol style="list-style-type: none"> <li>1. Motor overload</li> <li>2. Improper motor cooling</li> </ol>	<ol style="list-style-type: none"> <li>1. Reduce load by slowing dust production</li> <li>2. Clean sawdust from motor</li> </ol>
Tripping circuit breaker or fuses	<ol style="list-style-type: none"> <li>1. Motor overloaded</li> <li>2. Improper capacity of circuit breaker or fuses</li> </ol>	<ol style="list-style-type: none"> <li>1. Reduce load by slowing dust production</li> <li>2. Use proper capacity circuit breaker or fuse</li> </ol>
Unit has vibration or noisy operation	<ol style="list-style-type: none"> <li>1. Motor or components are loose</li> <li>2. Motor bearings faulty</li> </ol>	<ol style="list-style-type: none"> <li>1. Inspect/replace any stripped or damaged bolts/nuts and retighten</li> <li>2. Take to a qualified service technician</li> </ol>
Loud, repetitious noise or excessive vibration coming from dust collector	<ol style="list-style-type: none"> <li>1. Dust collection canister is full</li> <li>2. Filter cartridge/bag is dirty or damaged</li> <li>3. Dust collector hose restricted</li> <li>4. The lumber is wet and dust is not flowing through the hose smoothly</li> <li>5. There is a leak in the hose</li> </ol>	<ol style="list-style-type: none"> <li>1. Empty collection canister</li> <li>2. Clean filter cartridge/bag or replace</li> <li>3. Remove hose from dust collector inlet and unblock the restriction in the hose. A plumbing snake may be necessary</li> <li>4. Process lumber with less than 20% moisture content</li> <li>5. Inspect and replace hose</li> </ol>

Problem	Cause	Remedy
Motor stalls	<ol style="list-style-type: none"> <li>1. Short circuit in motor</li> <li>2. Incorrect fuses or circuit breakers</li> <li>3. Overloaded circuit</li> <li>4. Low Voltage</li> </ol>	<ol style="list-style-type: none"> <li>1. Take to a qualified service technician</li> <li>2. Replace with correct fuse or circuit breaker for the circuit</li> <li>3. Turn off other machines and retry</li> <li>4. Check the power line for the proper voltage. Use another circuit or have a qualified electrician upgrade the service</li> </ol>

# PARTS DIAGRAM



Exploded View & Parts Lists - 

## PARTS LIST

No.	Description	Qty.	No.	Description	Qty.
1	Bolt M8x65	4	25	Filter Bag	1
2	Screw ST6.3x45	3	26	Locking Strap	2
3	Undercarriage U Shape Support 2	1	27	Bolt M5x16	13
4	Support Underplate	4	28	Upper Housing Cover	1
5	Wheel Cover	2	29	Handle	2
6	Wheel	2	30	Bolt M5x40	4
7	Flat Washer 14	2	31	Flat Washer 5	20
8	Split Pin 2x20	2	32	Nut M5	20
9	Undercarriage Base Support Pipe	1	33	Bolt M6x16	4
10	Suction Hose	1	34	Bolt M5x20	4
11	Hose Clamp	2	35	Support Pipe	2
12	Hose Adapter I	1	36	Shavings Bag	1
13	Hose Adapter II	1	37	Lock Nut M8	8
14	Hose Adapter III	1	38	Pipe Washer M8	21
15	Hose Adapter IV	1	39	Tray for Undercarriage	1
16	Hose Adapter V	1	40	Bolt M8x40	4
17	Hose Coupling 1	1	41	Undercarriage Base Plate	1
18	Hose Coupling 2	1	42	Lower Housing Cover	1
19	Bolt M6x16	1	43	Undercarriage U Shape Support 1	1
20	Spring Washer 6	5	44	Support Block	3
21	Big Flat Washer 6	5	45	Flange Lock Nut M5	4
22	Fan	1	46	Protection Cover	1
23	Motor	1	47	Screw ST 4.2x13	2
24	Support Bar	1	48	Switch	1



# WARRANTY

## WARRANTY INFO

*The warranty set forth below is given by YARDMAX® with respect to new merchandise purchased and used in the United States and/or its territories and possessions. YARDMAX warrants its product, subject to limitations and exclusions below, against defects in material and workmanship for a period of two (2) years commencing on the date of original purchase, and will, at its discretion, repair or replace, free of charge to the customer, any part found to be defective in material or workmanship when the product is solely used for residential purposes during the two (2) year period.*

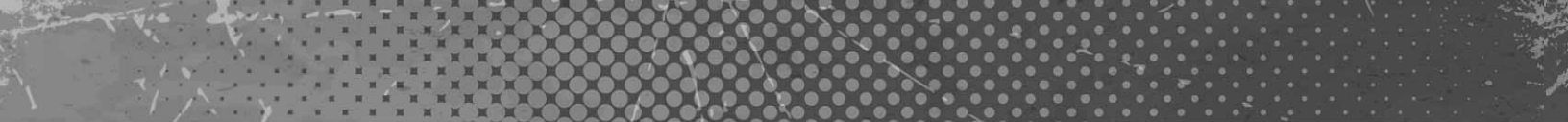
## LIMITATIONS AND EXCLUSIONS

*YARDMAX's warranty does not cover normal wear and tear, neglect, accident, improper assembly, improper maintenance, modification, alteration, improper repair, use of parts not approved by YARDMAX or product damage due to misuse by the customer. Replacement of products or parts due to normal wear and tear is the responsibility of the customer. Proof of original purchase is required. The warranty is non-transferrable. This limited warranty shall only apply if the product has been assembled, operated, and maintained in accordance with Owner's Manual supplied with the product. No Implied Warranty, including any implied warranty of merchantability or fitness for a particular purpose, applies after the expiration of the applicable period of express written warranty provided above. No other express warranty, whether written or oral, except mentioned herein, given by any person or entity, including a dealer or retailer, with respect to any product, shall bind YARDMAX. The provisions as set forth herein in this warranty provide the sole and exclusive remedy arising from the sale. YARDMAX shall not be liable for incidental or consequential damages to the extent allowable by law. The customer may have other rights not disclosed herein; and they may vary from state to state.*

**Have questions about your SHOPMAX equipment?**

**Call us at 847-327-0566 or 844-YARDMAX, email us at [info@shopmax.com](mailto:info@shopmax.com)**







Your Tools. Your Shop.™

