



16" 1.5 Amp Variable Speed Scroll Saw

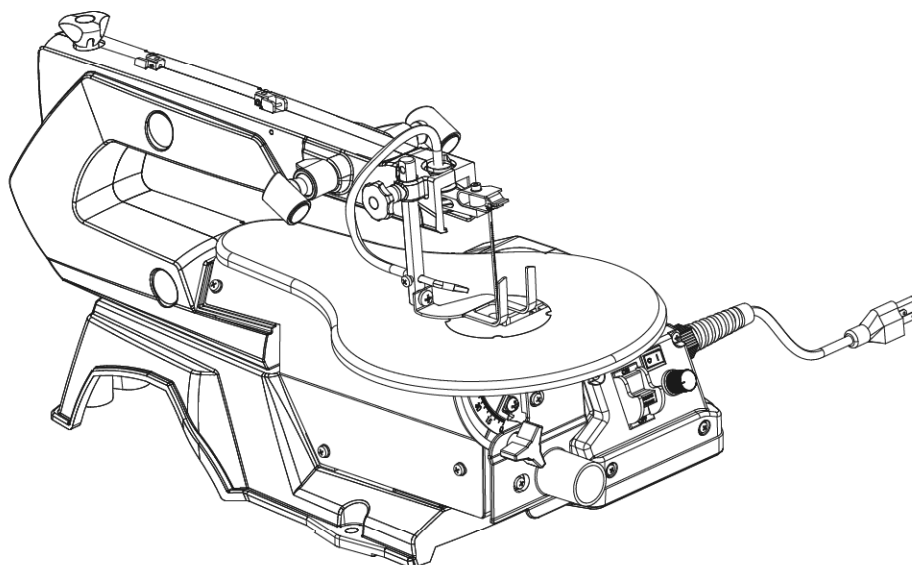
OPERATOR'S MANUAL

MODEL NUMBER
SS0405

SERIAL NUMBER

PURCHASE DATE

Both model number and serial number may be found on the main label. You should record both of them in a safe place for future use.



WARNING ⚠

Carefully read and understand this entire operator's manual before installing and using this product. Pay attention to all the cautions and warnings.

Shopmax Tools and Machines for your Shop

Shopmax manufactures a full line of rugged, long-lasting shop tools in several categories, including band saws, drill presses, shop vacuums, and more. As with sister company YARDMAX, expect professional quality, and is easy and safe to operate. With proper use and care, it is designed to give you many years of dependable service.

Prepare to experience the durability to take on any job — with the ease and portability.

MAX Performance, MAX Value, MAX Support

- ✓ Backed by decades of proven manufacturing expertise
- ✓ Enhanced design features come standard
- ✓ Engineered for the best user experience
- ✓ Quality metal parts are used instead of plastic
- ✓ A robust warranty supports all products
- ✓ Budget-friendly prices make it practical



Up for the job? SHOPMAX is.

TABLE OF CONTENTS

Introduction	1
Specifications	3
Symbols	3
Safety	4
Contents Supplied	7
Assembly	7
Know Your Machine	8
Operation	9

Maintenance	12
Transport	16
Storage	16
Stowring Diagramrage	16
Troubleshooting	17
Parts Diagram	18
Parts List	19
Warranty	21

WARNING ⚠

Carefully read through this entire operator's manual before using your new machine. Pay attention to all cautions and warnings.

CALIFORNIA PROPOSITION 65 WARNING

WARNING ⚠

Cancer and Reproductive Harm. www.P65Warnings.ca.gov.

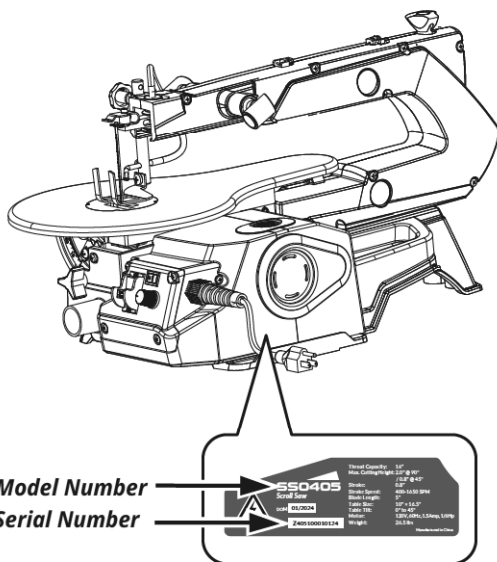
ENVIRONMENTAL



Recycle unwanted materials instead of disposing of them as waste. All tools, hoses, and packaging should be resorted, taken to the local recycling center and disposed of in an environmentally safe way.

MODEL AND SERIAL NUMBERS

Record the model and serial number as well as date and place of purchase for future reference. Have this information available when ordering parts or optional accessories and when making technical or warranty inquiries.



DISCLAIMER

YARDMAX reserves the right to discontinue, change, and improve its products at any time without notice or obligation to the purchaser. The descriptions and specifications contained in this manual were in effect at printing. Equipment described within this manual may be optional. Some illustrations may not be applicable to your unit.

SUPPORT

Have questions about your SHOPMAX equipment? Call us at 847-327-0566 or 844-YARDMAX, email us at info@shopmax.com for a replacement.

Introduction

SPECIFICATIONS

Model Number	SS0405
Motor	120W / 0.16HP
Cuts Through	Wood
Throat Capacity	16"
Max. Cutting Height	2"@90° 0.8"@45°
Number of Speeds	Variable 400-1650SPM
Table Size	10" x 16.3"
Light	Double Lamp
Product Depth	24.88"
Product Width	12.64"
Product Height	12.15"
Weight	26.5 lbs
Pinned Blade	4 pcs
Pinless Blade Adapter	Included

SYMBOLS

The rating plate on your machine may show symbols. These represent important information about the product or instructions on its use.



Indicates a potential personal injury hazard.



Read these instructions carefully.



Always wear eye protection with side shields marked to comply with ANSI Z87.1.



Always wear hearing protection with side shields marked to comply with ANSI Z87.1.



Wear protective gloves.



Caution! Wear a breathing mask.



Caution! Risk of injury! Failure to keep your hands away from the blade will result in serious personal injury.



Disconnect the mains plug prior to the repair, cleaning, and maintenance of the splitter!



Rotating the speed switch to "+" to increase the saw blade speed, on the contrary, forward to "-" to decrease.



Rotating the clamping screw to "+" to tighten the saw blade, to "-" to loosen.

SAFETY

SIGNAL SAFETY WORDS DEFINITION

The definitions below give the level of severity for each signal word.

DANGER

This symbol is used to indicate a hazardous situation which, if not avoided, will result in serious injury or death.

WARNING

This symbol points out safety instructions. Read and follow all instructions before attempting to operate this product. Failure to comply with these instructions could result in serious injury or death.

CAUTION

This symbol indicates a hazard, which, if not avoided, may result in minor injury, moderate injury, or property damage.

NOTE

This information makes the product easier to use.

GENERAL SAFETY RULES

WARNING! When using electric tools basic safety precautions should always be followed to reduce the risk of fire, electric shock and personal injury including the following.

Read all these instructions before attempting to operate this product and save these instructions.

Understand your Machine

Read this manual and labels affixed to the machine to understand its limitations and potential hazards.

Be thoroughly familiar with the controls and their proper operation. Know how to stop the machine and disengage the controls quickly.

Do not attempt to operate the machine until you fully understand how to properly operate and maintain the engine and how to avoid accidental injuries and/or property damage.

If the unit is to be used by someone other than original purchaser or loaned, rented, or sold, always provide this manual and any needed safety training before operation. The user can prevent and is responsible for accidents or injuries that may occur to themselves, other people, and property.

Do not force the machine. Use the correct machine for your application. The correct machine will do the job more efficiently and safer at the rate it was designed.

Personal Safety

Do not permit children to operate this machine at any time.

Keep children, pets, and other people not using the unit away from the work area. Be alert and shut off unit if anyone enters work area. Keep children under the watchful care of a responsible adult.

Do not operate the machine while under the influence of drugs, alcohol, or any medication that could affect your ability to use it properly.

Dress properly. Do not wear loose clothing, short pants, or jewelry of any kind. Secure long hair so it is above shoulder level. Keep your hair, clothing, and gloves away from moving parts. Loose clothes, jewelry, or long hair can be caught in moving parts.

Protect eyes, face, and head from objects that may be thrown from the unit. Always wear safety goggles or safety glasses with side shields when operating.

Wear appropriate hearing protection. Wear respiratory protection to avoid the risk of inhaling harmful dust.

Always keep hands and feet away from all moving parts during operation. Moving parts can cut or crush body parts.

Always keep hands and feet away from all pinch points.

Do not touch parts that might be hot from operation. Allow parts to cool before attempting to maintain, adjust, or service.

Stay alert, watch what you are doing, and use common sense when operating the machine.

Do not overreach. Do not operate the machine while barefoot or when wearing sandals or similar lightweight footwear. Wear protective footwear that will protect your feet and improve your footing on slippery surfaces. Keep proper footing and balance at all times. This enables better control of the machine in unexpected situations.

Inspect your Machine

Check your machine before starting it. Keep guards in place and in working order. Make sure all nuts, bolts, etc., are securely tightened.

Never operate the machine when it is in need of repair or is in poor mechanical condition. Replace damaged, missing, or failed parts before using it. Keep the machine in safe working condition. Regularly check to see that keys and adjusting wrenches are removed from the machine area before starting it.

A wrench or a key that is left attached to a rotating part of the machine may result in personal injury. Avoid accidental starting. Be sure the motor switch is off before transporting the machine or performing any maintenance or service on the unit.

Transporting or performing maintenance or service on a machine with its switch on invites accidents. If the machine should start to vibrate abnormally, stop the motor and check immediately for the cause. Vibration is generally a warning sign of trouble.

Electric Safety

Protect yourself from electric shock. Do not plug or unplug the motor while standing in or around damp or wet ground. Do not use the unit in wet or damp areas or expose it to rain. Prevent body contact with grounded surfaces: pipes, radiators, ranges, and refrigerator enclosures. Make sure your fingers do not touch the plug's metal prongs when plugging or unplugging the unit.

Avoid inadvertent starting. Make sure that the switch is switched off when plugging the plug into an outlet.

Only use approved and appropriately identified extension cables for use outdoors. Only use cable reels in the unrolled state.

Do not use the cable for purposes for which it is not intended. Do not use the cable to pull the plug out of the outlet. Protect the cable from heat, oil and sharp edges.

Have your electric tool repaired by a qualified electrician. This electric tool conforms to the applicable safety regulations. Repairs may only be performed by an electrician using original spare parts. Otherwise accidents can occur.

Work Area & Store Area

Insure sufficient lighting in the work area and the area around the machine.

Keep the work area orderly. Disorder in the work area can lead to accidents.

Take environmental influences into account. Do not expose electric tools to rain. Do not use electric tools in a damp or wet environment. Make sure that the work area is well-illuminated. Do not use electric tools where there is a risk of fire or explosion.

Securely store unused electric tools. Unused electric tools should be stored in a dry, elevated or closed location out of the reach of children.

Specific Safety Rules

Intended Use

The contents of the instructions must cover not only the intended use of the machinery but also take into account any reasonably foreseeable misuse thereof.

Safety Precautions

Connect the dust extraction device. If connections for dust extraction and a collecting device are present, make sure that they are connected and used properly.

Operation in enclosed areas is only permitted with a suitable extraction system.

Machine Use and Care

Do not use low-output electric tools for heavy work. Do not use the electric tool for purposes for which it is not intended. For example, do not use hand-held circular saws for the cutting of branches or logs. Do not use the electric tool to cut firewood.

When the saw blade is blocked due to abnormal feed force during cutting, turn the machine off and disconnect it from power supply. Remove the work piece and ensure that the saw blade runs free. Turn the machine on and start new cutting operation with reduced feed force.

Do not remove any cutting residues or other parts of workpieces from the cutting zone while the machine is running and the saw unit is not at rest.

Never remove loose splinters, chips or jammed pieces of wood while the saw blade is running.

Switch off the machine to troubleshoot or remove jammed pieces of wood.

Refitting, including adjusting and measuring works, and cleaning must be carried out only when the motor is switched off. - Disconnect the main power plug -

Before switching on again, ensure that keys and adjustment tools have been removed.

This electric tool generates an electromagnetic field during operation. This field can impair active or passive medical implants under certain conditions. In order to prevent the risk of serious or deadly injuries, we recommend that persons with medical implants consult with their physician and the manufacturer of the medical implant prior to operating the electric tool.

Take care of your tools. Keep cutting tools sharp and clean in order to be able to work better and more safely. Follow the instructions for lubrication and for tool replacement. Check the connection cable of the electric tool regularly and have it replaced by a recognized specialist when damaged. Check extension cables regularly and replace them when damaged. Keep the handle dry, clean and free of oil and grease.

Check the electric tool for potential damage. Protective devices

and other parts must be carefully inspected to ensure that they are fault-free and function as intended prior to continued use of the electric tool. Check whether the moving parts function faultlessly and do not jam or whether parts are damaged. All parts must be correctly mounted and all conditions must be fulfilled to ensure fault-free operation of the electric tool. The moving protective hood may not be fixed in the open position. Damaged protective devices and parts must be properly repaired or replaced by a recognised workshop, insofar as nothing different is specified in the operating manual. Damaged switches must be replaced at a customer service workshop. Do not use any faulty or damaged connection cables. Do not use any electric tool on which the switch can not be switched on and off.

Additional Safety Rules for Scroll Saws

- This scroll saw is intended for use in dry conditions, and for indoor use only.
- Do not cut pieces of material too small to hold by hand outside the blade guard.
- Avoid awkward hand positions where a sudden slip could cause a hand to move into the blade.
- Always use the blade guard to avoid possible injury due to blade breakage.
- Never leave the scroll saw work area with the power, or before the machine has come to a complete stop.
- Do not perform layout, assembly or set up work on the table while the cutting tool is in operation.
- Never turn your scroll saw on before clearing the table of all objects: (tools, scraps of wood, etc) except for the workpiece and related feed or support devices for the operation planned.

Maintenance and Repair

PPull out the mains plug for any adjustment or repair tasks.

The generation of noise is influenced by various factors, including the characteristics of saw blades, condition of saw blade and electric tool. Use saw blades which were designed for reduced noise development, insofar as possible. Maintain the electric tool and tool attachments regularly and if necessary, initiate repairs in order to reduce noise.

Report faults on the electric tool, protective devices or the tool attachment to the person responsible for safety as soon as they are discovered.

Check the electric tool for potential damage. Protective devices and other parts must be carefully inspected to ensure that they are fault-free and function as intended prior to continued use of the electric tool. Check whether the moving parts function faultlessly and do not jam or whether parts are damaged. All parts must be correctly mounted and all conditions must be fulfilled to ensure fault-free operation of the electric tool. The moving protective hood may not be fixed in the open position. Damaged protective devices and parts must be properly repaired or replaced by a recognized workshop, insofar as nothing different is specified in the operating manual. Damaged switches must be replaced at a customer service workshop. Do not use any faulty or damaged connection cables. Do not use any electric tool on which the switch cannot be switched on and off.

Residual Risks

The machine has been built using modern technology in accordance with recognized safety rules. Some remaining hazards, however, may still exist.

- Long hair and loose clothing can be hazardous when the work piece is rotating. Wear personal protective gear such as a hair net and tight fitting work clothes.
- Saw dust and wood chips can be hazardous. Wear personal protective gear such as safety goggles and a dust mask.
- The use of incorrect or damaged mains cables can lead to injuries caused by electricity.

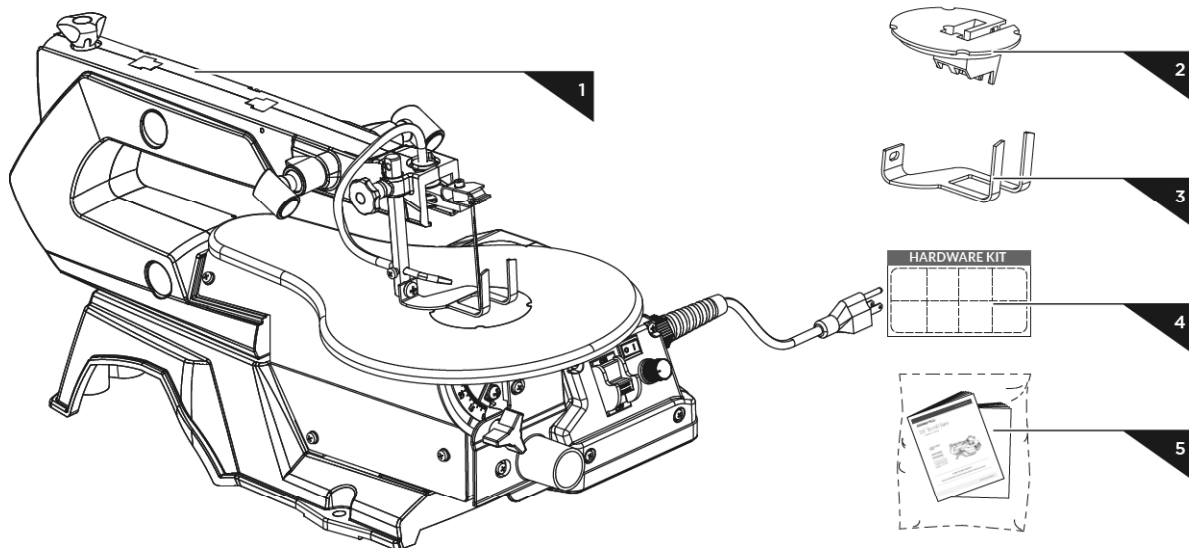
lead to injuries caused by electricity, remaining hazards which are not yet evident may still be present.

- Remaining hazards can be minimized by following the instructions in "Safety Precautions", "Proper Use" and in the entire operating manual.
- Do not force the machine unnecessarily: excessive cutting pressure may lead to rapid deterioration of the blade and a decrease in performance in terms of finish and cutting precision.
- Avoid accidental starts: do not press the start button while inserting the plug into the socket.

Keep this safety information in a safe place.

CONTENTS SUPPLIED

The scroll saw comes completely assembled and is shipped in carefully packed carton.



No.	Description	Qty.
1	Main Machine	1
2	Table Inlay	1
3	Drop Foot	1

4	Hardware Kit	1
5	Operator's Manual	1

NOTE

Pinless blade is not supplied.

ASSEMBLY

Table Inlay

Install table inlay on the work table through the blade. (See Figure 1)

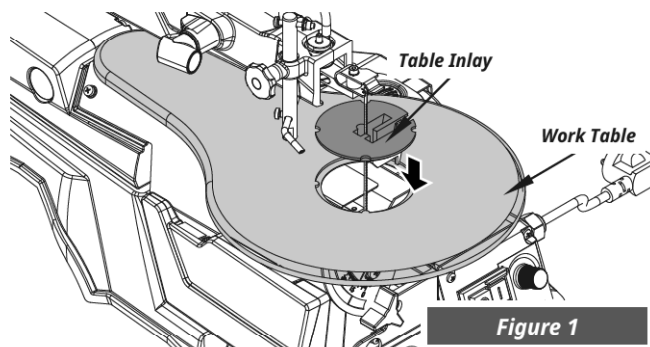


Figure 1

Drop Foot

Fix the drop foot on drop foot fixing pole using screw and lock washer. (See Figure 2)

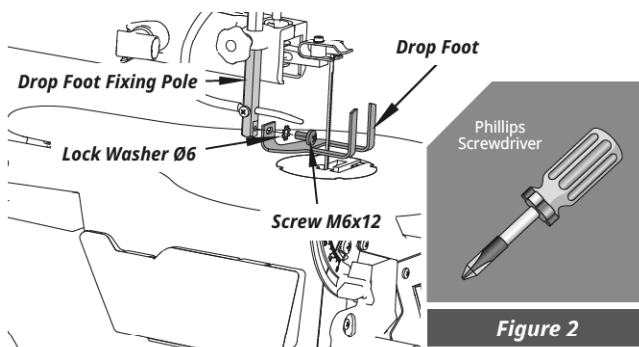
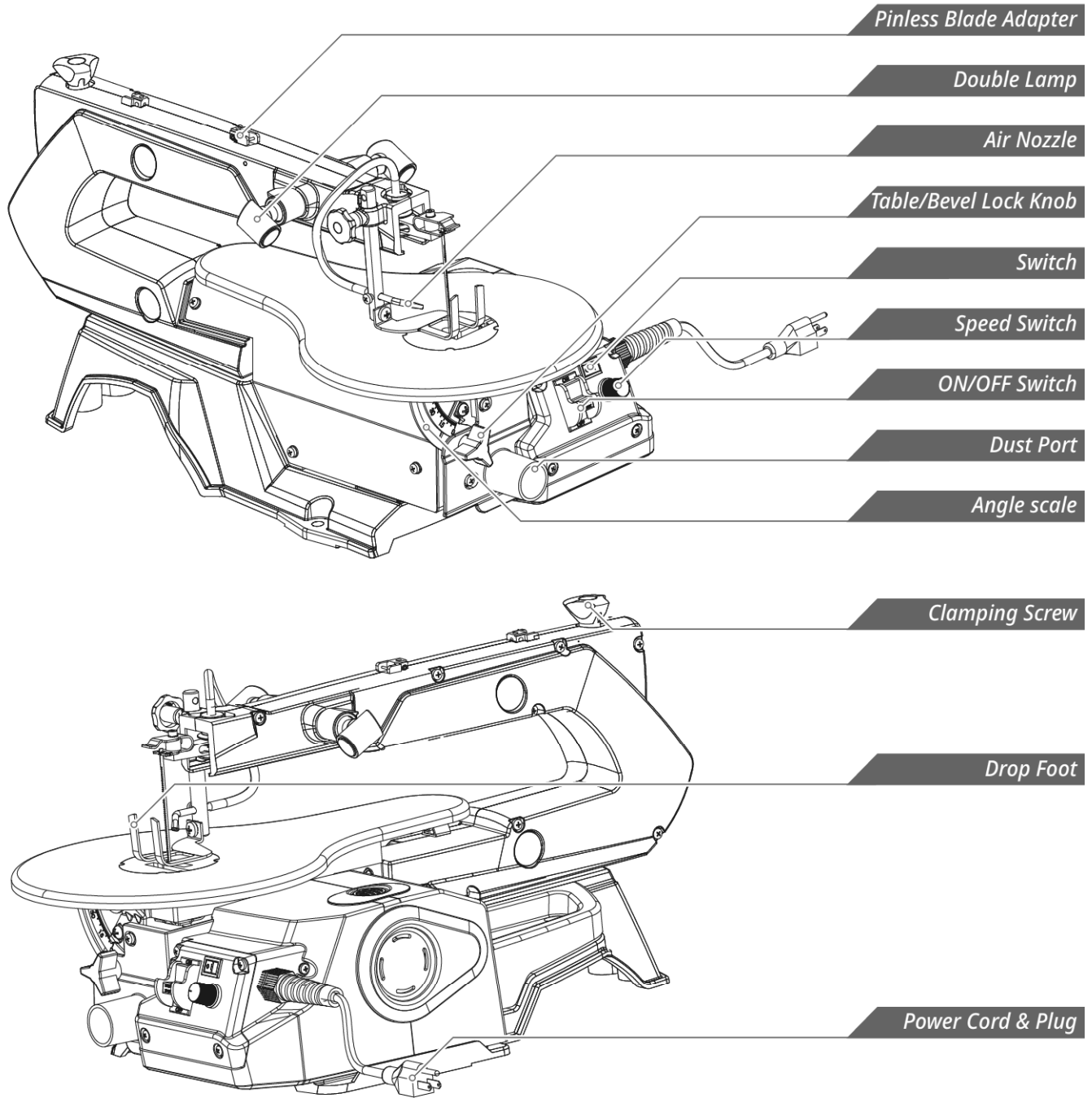


Figure 2

KNOW YOUR MACHINE

FEATURES AND CONTROLS



Know Your Machine - 

OPERATION

Mounting the machine on a work bench

A workbench made from solid wood is better than one made of plywood, as interfering vibrations and noise are more noticeable with plywood. (See Figure 3)

The necessary tools and small parts for assembling the saw on a workbench are not supplied with the saw. However, use equipment of at least the following:

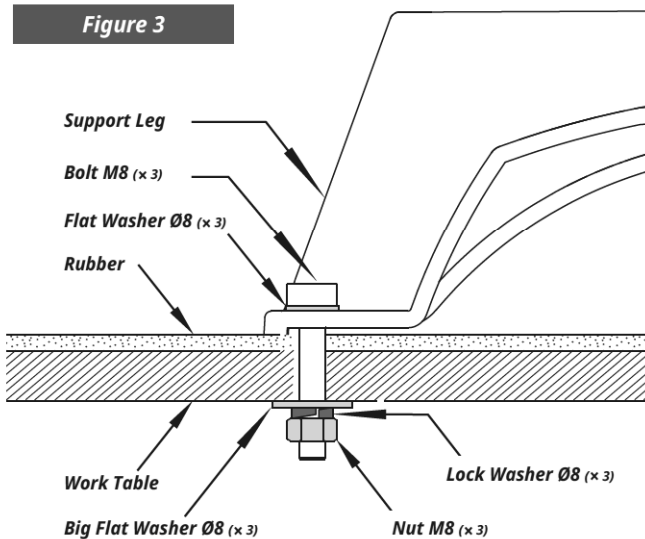


Figure 3

1. Machine
2. Bolt M8 (x3)
3. Flat Washer Ø8 (x3)
4. Rubber Pad
5. Work Table
6. Big Flat Washer Ø8 (x3)
7. Lock Washer Ø8 (x3)
8. Nut M8 (x3)

First of all, drill holes into the seating surface and then Insert the screws.

A foam rubber base for reduction of noise is not supplied with the saw either. However, we expressly recommend that you use such a base to keep vibration and noise to a minimum. Ideal size 400 x 240 mm.

Setting the Saw Bench

- Release the table/bevel lock knob and bring the saw bench to a right angle in relation to the saw blade. Use a 90° angle L-square measure the right angle between the blade and the bench. The saw blade be at 90° to the angle.
- Close the table/bevel lock knob when the distance between the blade and the 90° angle is at a minimum. The bench should then be at 90° to the saw blade.

Setting the angle scale

- Release the lock screw and bring the indicator to the zero position. Fasten the screw. Please note: the angle scale is a useful piece of supplementary equipment, but should not be used for precision work. Use scrap wood for saw tests, adjust the bench if necessary. (See Figure 4)

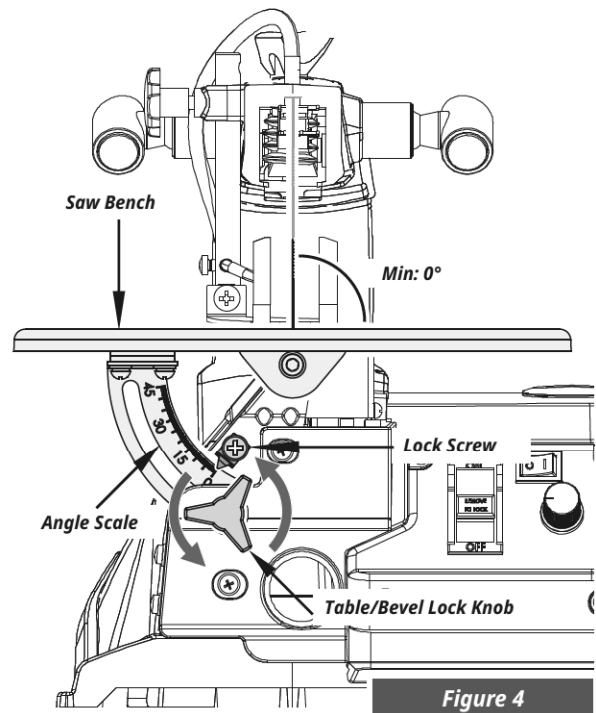


Figure 4

Horizontal Saw Bench and Diagonal Cuts

The saw bench can be positioned into a 45° diagonal position or be left in the horizontal position.

You can read off the approximate slope angle by using the angle scale located under the work bench. For more exact adjustment, use scrap wood for some saw tests; adjust the bench if necessary. (See Figure 5)

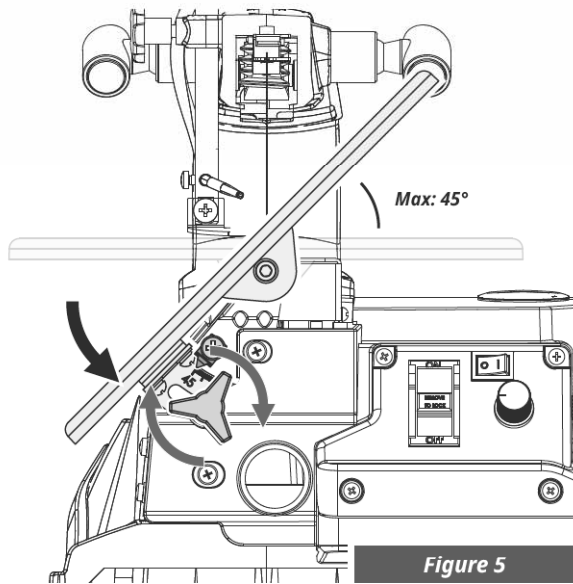


Figure 5

A scroll saw is fundamentally a “curve cutting tool” but which can also carry out straight and angled edge cuts. Familiarise yourself with the following important points prior to commissioning the saw.

- The saw does not automatically cut wood. You must feed the wood against the saw blade manually.
- The cutting process occurs only while the blade is moving downwards.
- Feed the wood slowly against the saw blade as the saw blade teeth are small and cut only while moving downwards.
- All persons carrying out work with the saw require training. The saw blade may break easily during this training time while the operator is still unfamiliar with the saw.
- The saw is best suited for sheets of wood less than 2.5 cm thick.
- Feed the wood especially slowly against the blade and avoid abrupt curves to prevent the saw blade from breaking, if you wish to cut wood sheets thicker than 2.5 cm.
- Saw blade teeth become blunt over time, saw blades must be replaced. The saw blades are sufficient for 1/2 to 2 operating time depending upon the type of wood.
- Try and make sure that the saw blade follows the grain of the wood in order to obtain a clean cut.
- The saw speed must be reduced to minimum when cutting precious and non-ferrous metals.

Inside Cuts

WARNING ⚠

Switch off the saw and remove the mains supply plug before doing inside cuts in order to avoid injuries caused by unintentional activation of the saw.

This saw is suited also to inside cuts cut not starting at the edge of the work piece. Proceed as follows:

- Drill a 6 mm hole in the work piece.
- Loosen the clamping screw (blade tensioner) and release the tension in the blade.
- Place the bore hole over the saw blade slot in the work bench.
- Install the saw blade through the hole in the work piece and through the work blade slot, and fasten the blade to the holders.
- When you have completed the inside cut, remove the saw blade and then remove the work piece from the bench.

Continuous Operation

It is possible to switch the saw on by pressing the "ON" button for continuous operation. In order to switch the saw off, it is necessary to press the "OFF" button.

With the continuously variable electronic speed control, the cutting speed can be increased by turning to the right or reduced by turning to the left. (See Figure 6)

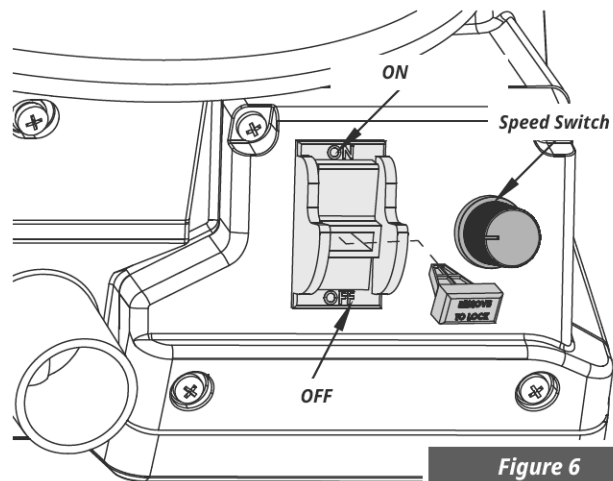


Figure 6

Lighting System

The lamp can be switched on by pressing the button. (See Figure 7)

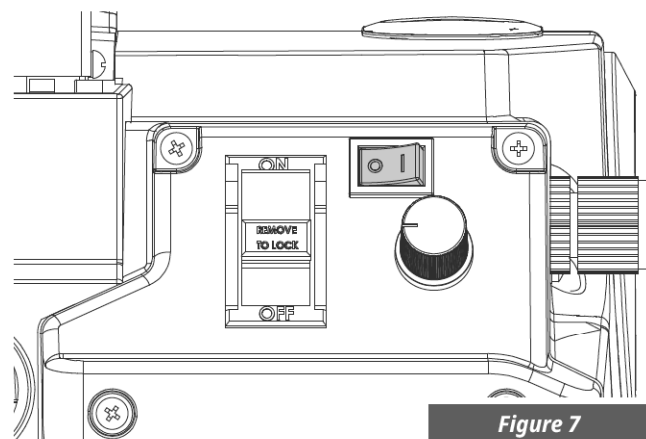


Figure 7

This equipment can be used in conjunction with Shopmax Dust Collector model SC0050, ensuring a clean working environment for you. (See Figure 8)

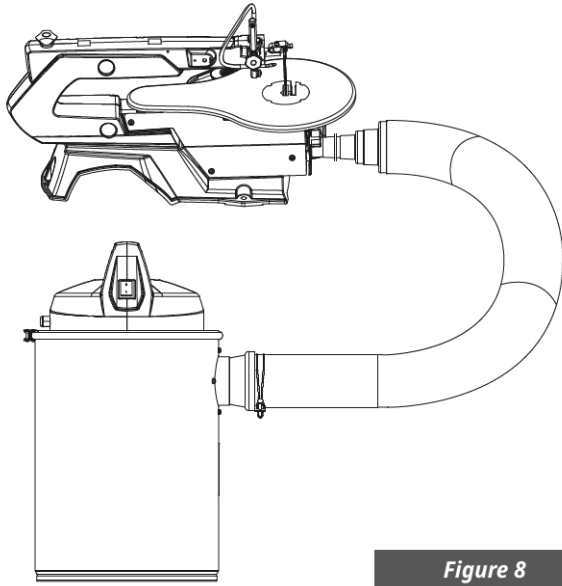


Figure 8

MAINTENANCE

WARNING ⚠

Warning! In the interests of operational safety, always switch off the saw and remove the mains plug before carrying out maintenance work.

General

Wipe chips and dust off the machine from time to time using a cloth.

Re-application of the wax coating on the workbench makes feeding the workpiece to the blade easier.

The mains cable should be replaced immediately if pulled out, cut or damaged in any other way. Do not lubricate the motor bearings or internal parts!

Changing the Pinned Blade

WARNING ⚠

Switch off the saw and remove the mains supply plug before installing saw blades in order to avoid injuries caused by unintentional activation of the saw.

1. Adjust the star knob to raise the drop foot fixing pole, which leads to the drop foot going up. (See Figure 9)

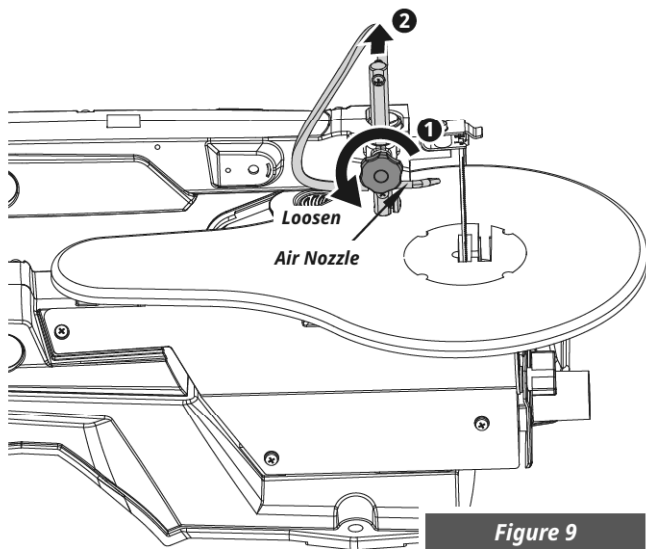


Figure 9

2. Remove the Table Inlay. (See Figure 10)

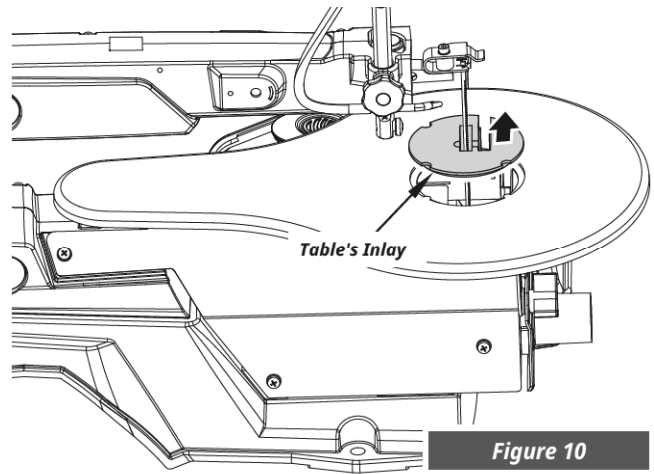


Figure 10

3. Pinned blade removal. Extract the pinned blade by unscrewing the Clamping screw. Remove the pinned blade from the upper and lower support by slightly pressing the upper arm down. (See Figure 11&12)

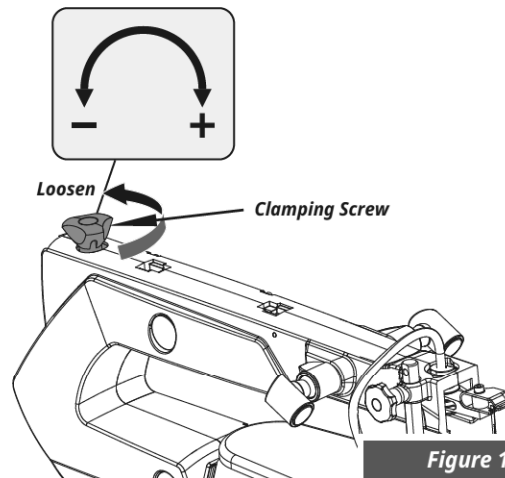


Figure 11

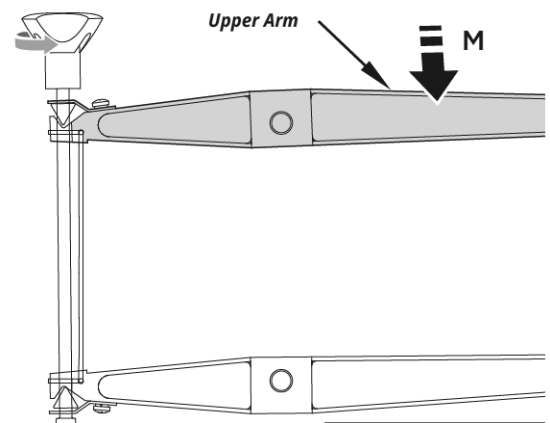


Figure 12

4. Inserting the new pinned blade. Lead one end of the pinned blade through the perforation in the table and insert the pinned blade pins into the notch. Repeat this procedure at the upper blade support. Before hooking it in. Slightly press the upper arm down. Check the position of the blade pins at the supports. Tighten the blade by means of the Clamping screw. Check the blade's tightness. Keep on rotating clockwise in order to tighten the blade even more. (See Figure 13&14&15)

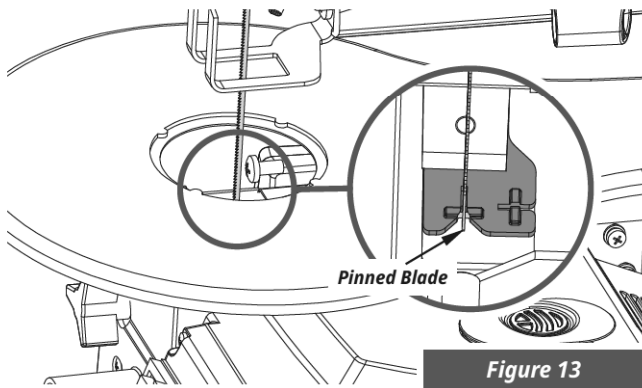


Figure 13

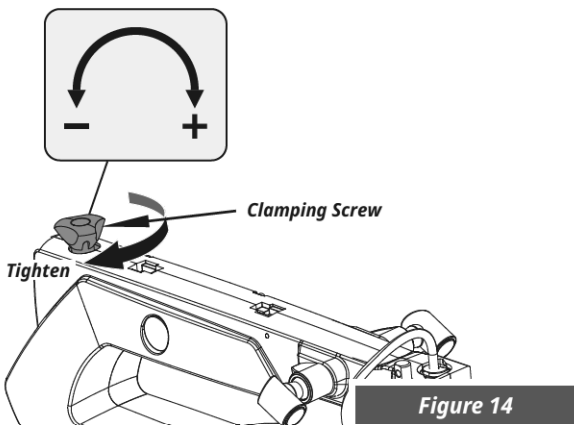


Figure 14

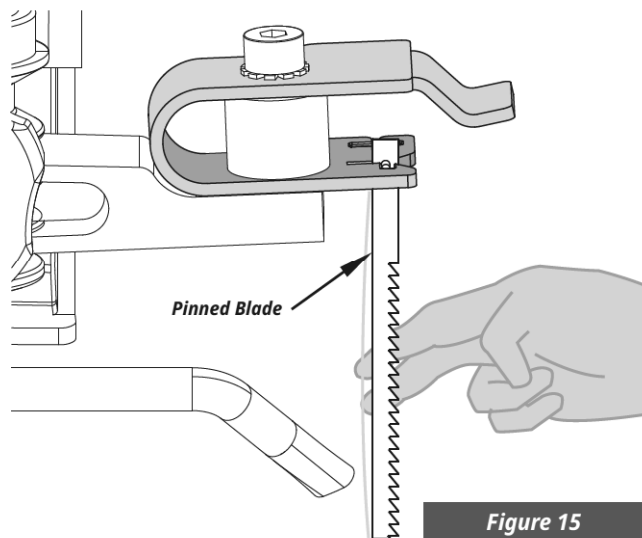


Figure 15

5. Install the table inlay back. (See Figure 16)

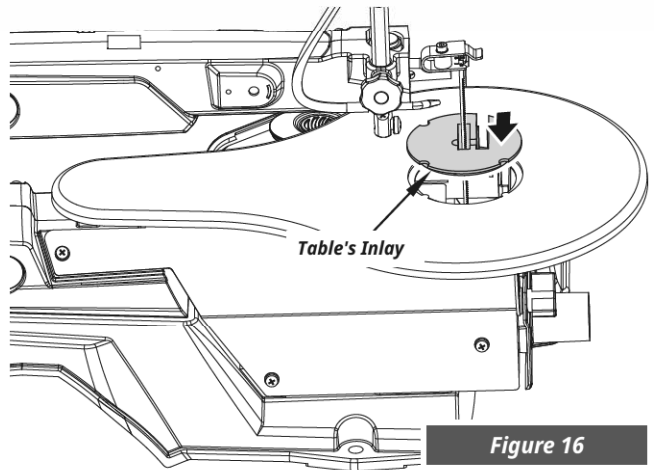


Figure 16

6. Lower the drop foot to the original working position. (See Figure 17)

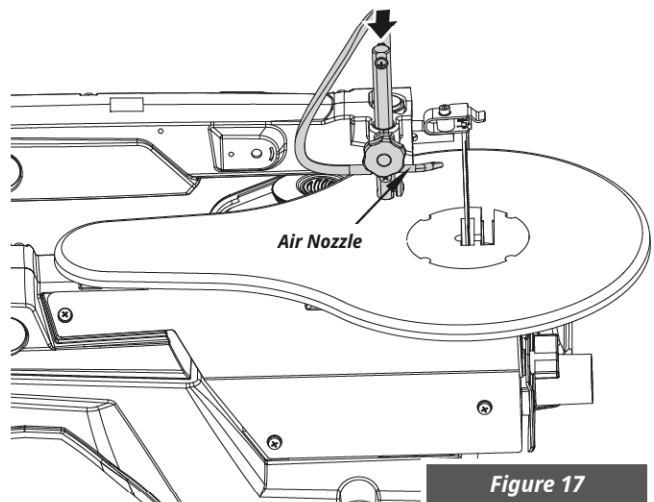


Figure 17

Changing the Pinless Blade

1. Take out the adapter. Fix the pinless blade with allen screws using allen wrench. (See Figure 18)

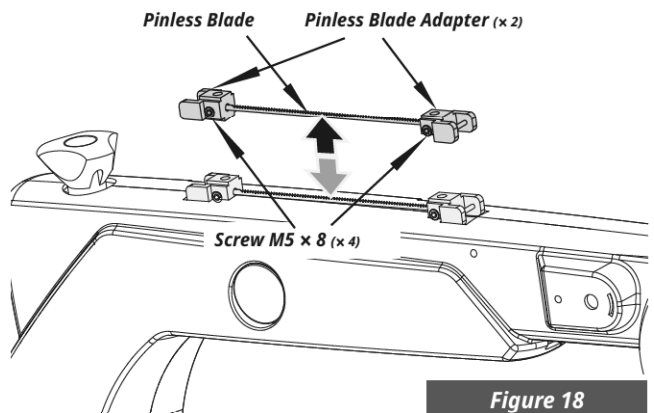


Figure 18

- Adjust the star knob to raise the drop foot fixing pole, which leads to the drop foot going up. (See Figure 19)

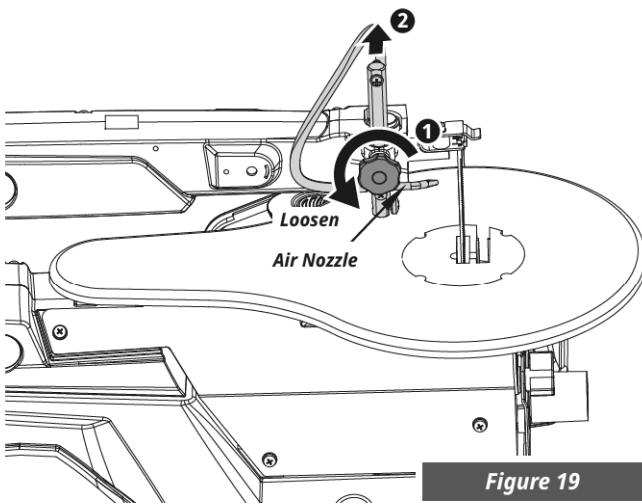


Figure 19

- Remove the Table Inlay. (See Figure 20)

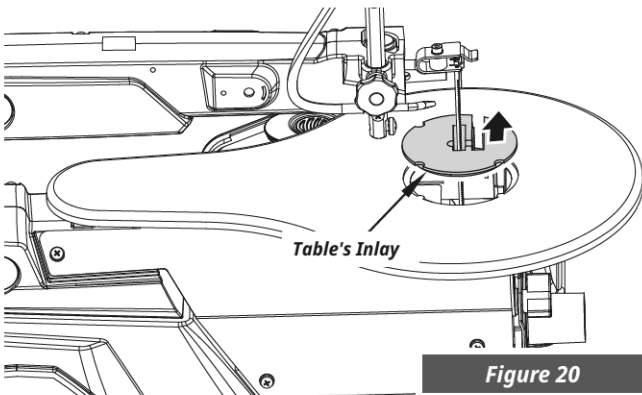


Figure 20

- Pinned blade removal. Extract the pinned blade by unscrewing the Clamping screw. Remove the pinned blade from the upper and lower support by slightly pressing the upper arm down. (See Figure 21&22)

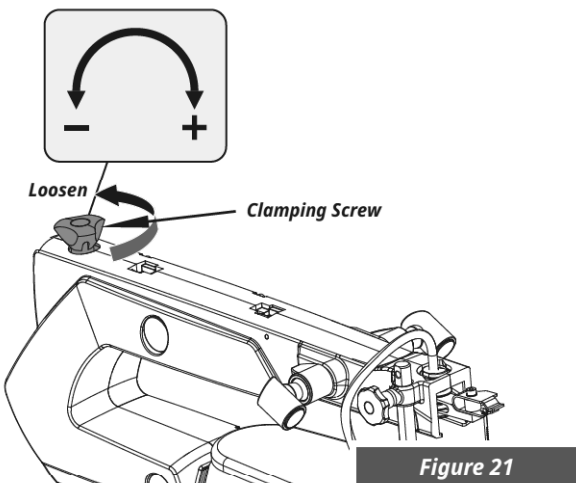


Figure 21

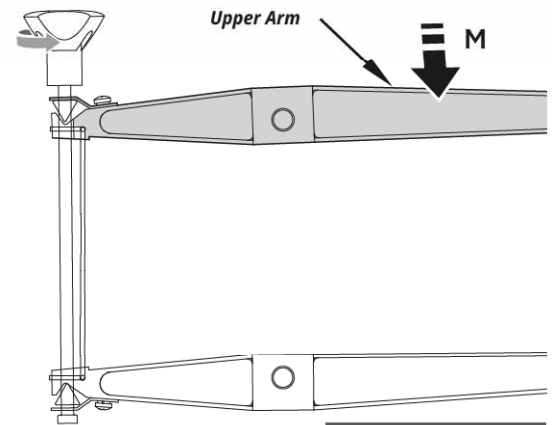


Figure 22

- Put the pinless blade with the two adapters into the lower support, the other end into the upper support.
- Slightly press the upper arm down before hooking it in. (See Figure 23)
- Tighten the blade with the tightening screw by rotating it clockwise. Check the tightness of the blade. Keep on rotating clockwise in order to tighten the blade even more. (See Figure 24&25)

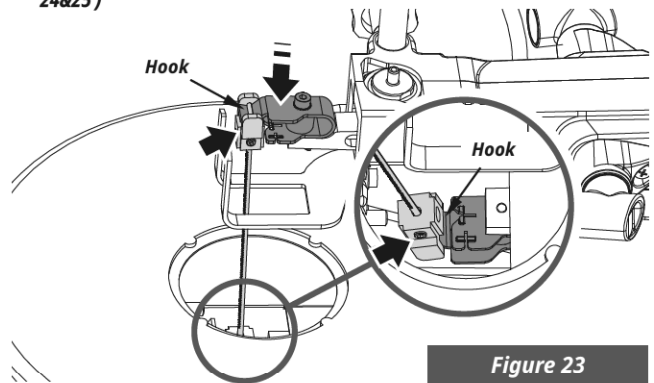


Figure 23

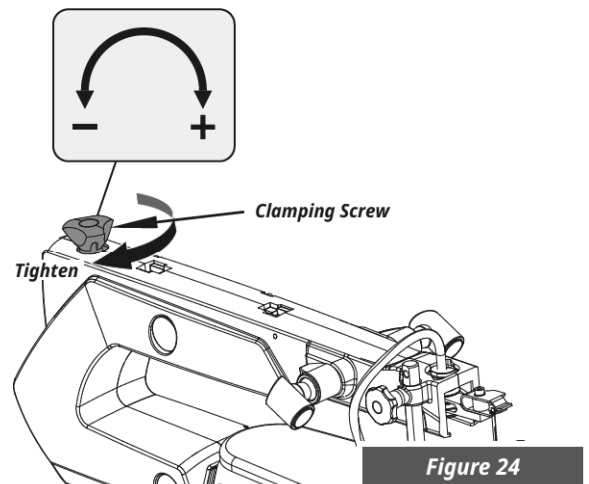


Figure 24

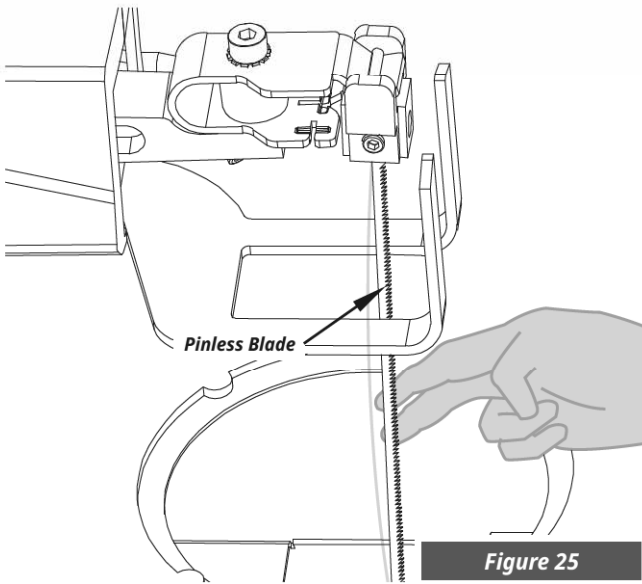


Figure 25

8. Install the table inlay back. (See Figure 26)

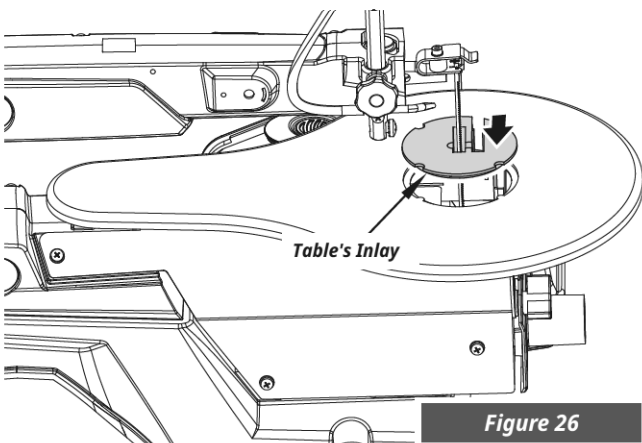


Figure 26

9. Lower the drop foot to the original working position. (See Figure 27)

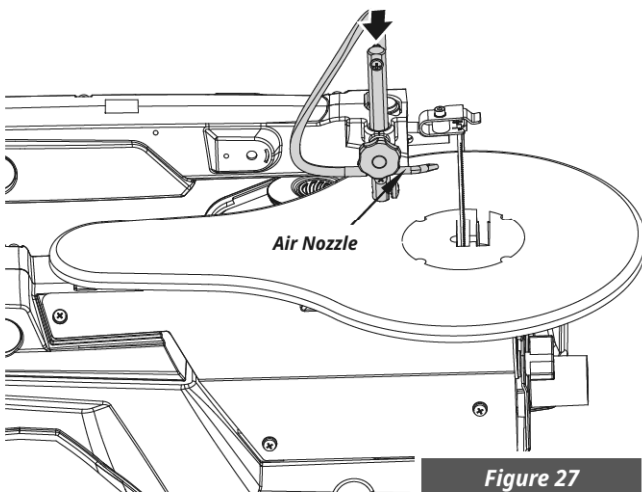


Figure 27

Lubrication

Lubricate the saw arm bearings every 50 hours. Proceed as above figure shown.

Turn the saw to the side.

Apply a generous amount of SAE 20 oil to the shaft end and bronze bearings.

Let the lubricant oil work in overnight.

Repeat the procedure the next day on the other side of the saw. (See Figure 28)

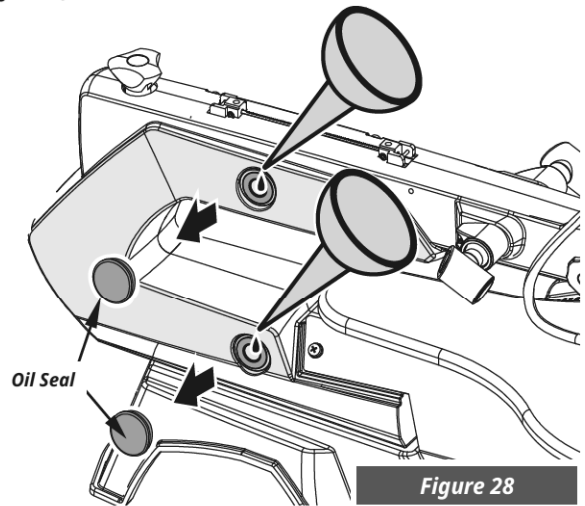


Figure 28

Carbon Brushes Inspection

In case of excessive sparking, have the carbon brushes checked only by a qualified electrician.

DANGER 

Danger! The carbon brushes should not be replaced by anyone but a qualified electrician.

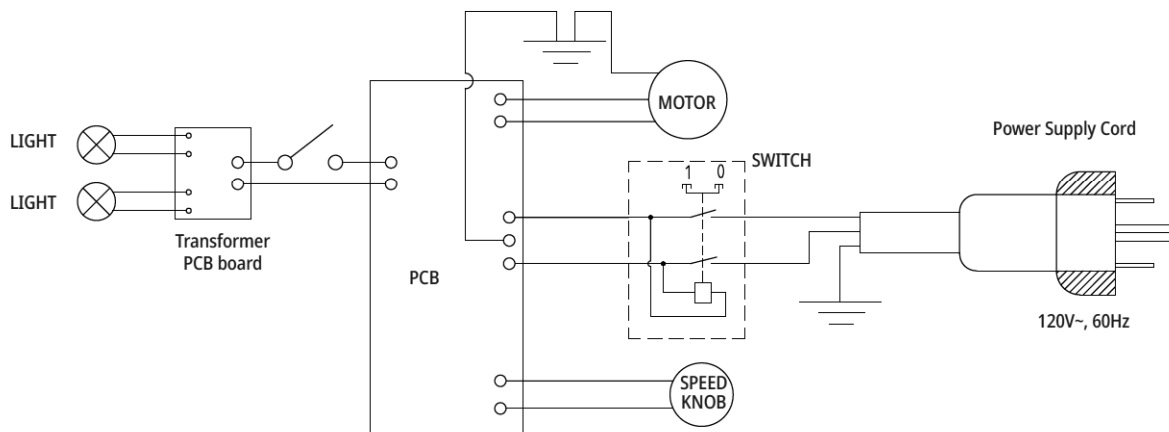
TRANSPORT

1. Be sure turn off the power and pull out the plug after use.
2. Pull down the transparent blade guard to prevent hand cutting during transportation.
3. Disconnect the vacuum cleaner and the other connecting devices, and remove the connection bolts between the machine and the work table.
4. Hold the upper end of the U-shaped arm with one hand while moving; If the saw-blade adapter & allen wrench (Optional Feature #2) is on the top of the U-shaped arm, you can move it with both hands.
5. If the machine is installed with foot switch (Optional Feature #1), it is recommended to store it before moving to avoid tripping.
6. Raw materials or precision-cut semi-finished products are recommended to be removed from the worktable before moving, which may damage the saw blade and its fixing device.

STORAGE

Store the equipment and accessories in a dark and dry place at above freezing temperature. The ideal storage temperature is between 5 and 30°C. Store the electric tool in its original packaging. Cover the electric tool in order to protect it from dust and moisture.

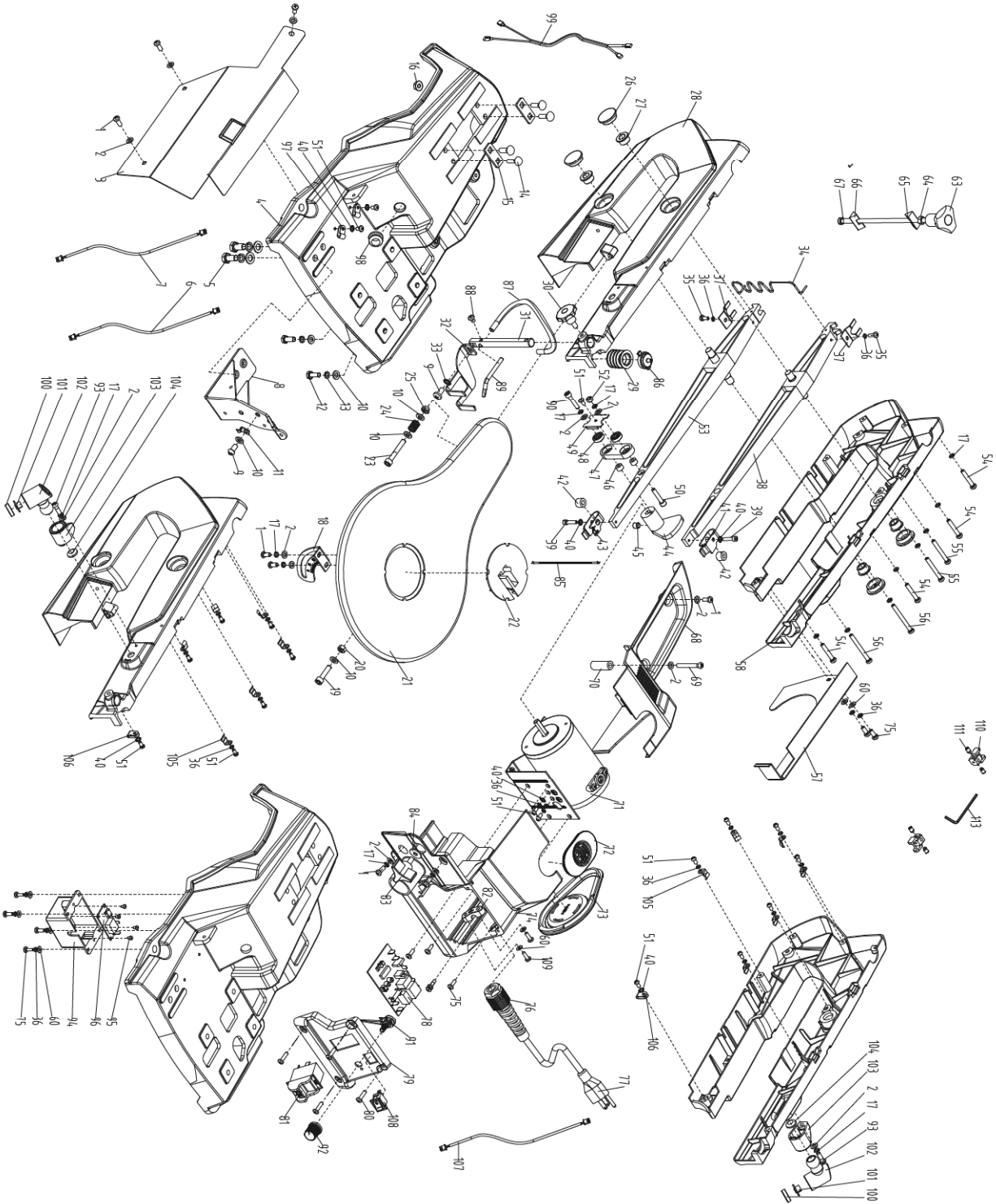
STOWIRING DIAGRAMRAGE



TROUBLESHOOTING

Problem	Cause	Remedy
Saw blades break	<ol style="list-style-type: none"> 1. Tension incorrectly set 2. Load too great 3. Incorrect saw blade variety 4. Workpiece not fed straight 	<ol style="list-style-type: none"> 1. Set the correct tension 2. Feed the workpiece more slowly 3. Use the correct saw blades 4. Avoid exerting pressure from the side
Motor does not function	<ol style="list-style-type: none"> 1. Mains cable faulty 2. Motor faulty 	<ol style="list-style-type: none"> 1. Change faulty parts 2. Call customer service. Do not attempt to repair the motor yourself as this should be carried out by trained personnel.
Vibration (NOTE: The saw vibrates slightly when the motor is running in normal operation.)	<ol style="list-style-type: none"> 1. Saw incorrectly installed 2. Unsuitable underlay 3. The work bench is not screwed down or is on the motor 4. The motor is not secured 	<ol style="list-style-type: none"> 1. Set the correct tension 2. Feed the workpiece more slowly 3. Use the correct saw blades 4. Avoid exerting pressure from the side
Saw blade swings out, holders not aligned straight	<p> Holders not aligned</p>	<p> Loosen the screws with which the holders are fastened to the arm. Align the holders so that they are perpendicular to each other and retighten the screws</p>

PARTS DIAGRAM



Exploded View & Parts Lists - 

PARTS LIST

No.	Description	Qty.	No.	Description	Qty.
1	Screw M5x12	8	31	Drop Foot Fixing Pole	1
2	Flat Washer Ø5	13	32	Drop Foot	1
3	Body Outside Cover	1	33	Lock Washer Ø6	1
4	Base	1	34	Connected Net	1
5	Bolt M8x20	2	35	Screw M4x10	2
6	Single Core Cable 1	2	36	Spring Washer Ø4	26
7	Single Core Cable 2	2	37	Limit Plate	2
8	Support Bracket	1	38	Upper Arm	1
9	Screw M6x12	2	39	Screw M4x20	2
10	Flat Washer Ø6	8	40	Lock Washer Ø4	8
11	Indicator	1	41	Upper Clip	1
12	Bolt M6x16	4	42	Bushing	2
13	Spring Washer Ø6	4	43	Lower Clip	1
14	Bolt M6x20	4	44	Eccentric Bushing	1
15	Press Plate	2	45	Screw M8x8	1
16	Flange Nut M6	4	46	Small Shaft Sleeve	2
17	Spring Washer Ø5	16	47	Plastic Bearing Seat	1
18	Angle Scale	1	48	Bearing 625-2Z	2
19	Screw M6x25	1	49	Bearing Cover	1
20	Nut M6	1	50	Screw M5x25	2
21	Work Table	1	51	Screw M4x8	19
22	Table Inlay	1	52	Nut M5	1
23	Screw M6x40	1	53	Lower Arm	1
24	Spring	1	54	Screw M5x30	4
25	Locknut M6	1	55	Screw M5x40	2
26	Rubber Plug	4	56	Screw M5x50	2
27	Shaft Sleeve	4	57	Welded Cover	1
28	Main Frame-Right	1	58	Main Frame-Left	1
29	Air Bag	1	59	Discontinued	N/A
30	Star Handle Screw	1	60	Flat Washer Ø4	8

No.	Description	Qty.
61	Discontinued	N/A
62	Discontinued	N/A
63	Clamping Screw	1
64	Nut M6	1
65	Adjusting Block 1	1
66	Adjusting Block 2	1
67	Adjusting Rod	1
68	Rear Cover	1
69	Screw M5x45	1
70	Rear Cover Busing	1
71	Motor	1
72	Rubber Cap	1
73	Middle Cover	1
74	Front Cover	1
75	Screw M4x12	12
76	Cable Gland Strain Relief Connector	1
77	Power Cord & Plug	1
78	Circuit Board	1
79	Switch Board	1
80	Screw ST4.2x16	4
81	ON/OFF Switch	1
82	Cable Holder	1
83	Star Button M6x13	1
84	Big Flat Washer Ø6	1
85	Pinned Blade	4
86	Air Bag Seat	1
87	Plastic Air Pipe	0.28

No.	Description	Qty.
88	Screw M5x6	1
89	Air Nozzle	1
90	Screw M5x20	1
91	Potentiometer	1
92	Speed control knob	1
93	Screw M5x16	2
94	Circuit Board Housing	1
95	Screw ST2.9x6.5	4
96	Led Lamp Circuit Board A	1
97	Cable Clamp R-5.3	2
98	Rubber Sleeve	1
99	Double Core Cable	1
100	Lamp Cover	2
101	Led Lamp	2
102	Lamp Holder	2
103	Lamp Base Bracket	2
104	Cable Retainer	2
105	Pipe Clamp 1	12
106	Cable Clamp U-3.3	2
107	Lamp Cable 2	2
108	Switch	1
109	Screw M4x16	6
110	Pinless Blade Adapter	2
111	Screw M5x8	4
112	Discontinued	N/A
113	Allen Wrench 2.5	1

WARRANTY

WARRANTY INFO

The warranty set forth below is given by YARDMAX® with respect to new merchandise purchased and used in the United States and/or its territories and possessions. YARDMAX warrants its product, subject to limitations and exclusions below, against defects in material and workmanship for a period of two (2) years commencing on the date of original purchase, and will, at its discretion, repair or replace, free of charge to the customer, any part found to be defective in material or workmanship when the product is solely used for residential purposes during the two (2) year period.

LIMITATIONS AND EXCLUSIONS

YARDMAX's warranty does not cover normal wear and tear, neglect, accident, improper assembly, improper maintenance, modification, alteration, improper repair, use of parts not approved by YARDMAX or product damage due to misuse by the customer. Replacement of products or parts due to normal wear and tear is the responsibility of the customer. Proof of original purchase is required. The warranty is non-transferrable. This limited warranty shall only apply if the product has been assembled, operated, and maintained in accordance with Owner's Manual supplied with the product. No Implied Warranty, including any implied warranty of merchantability or fitness for a particular purpose, applies after the expiration of the applicable period of express written warranty provided above. No other express warranty, whether written or oral, except mentioned herein, given by any person or entity, including a dealer or retailer, with respect to any product, shall bind YARDMAX. The provisions as set forth herein in this warranty provide the sole and exclusive remedy arising from the sale. YARDMAX shall not be liable for incidental or consequential damages to the extent allowable by law. The customer may have other rights not disclosed herein; and they may vary from state to state.

Have questions about your SHOPMAX equipment?

Call us at 847-327-0566 or 844-YARDMAX, email us at info@shopmax.com



Your Tools. Your Shop.™

