



# 8" Band Saw

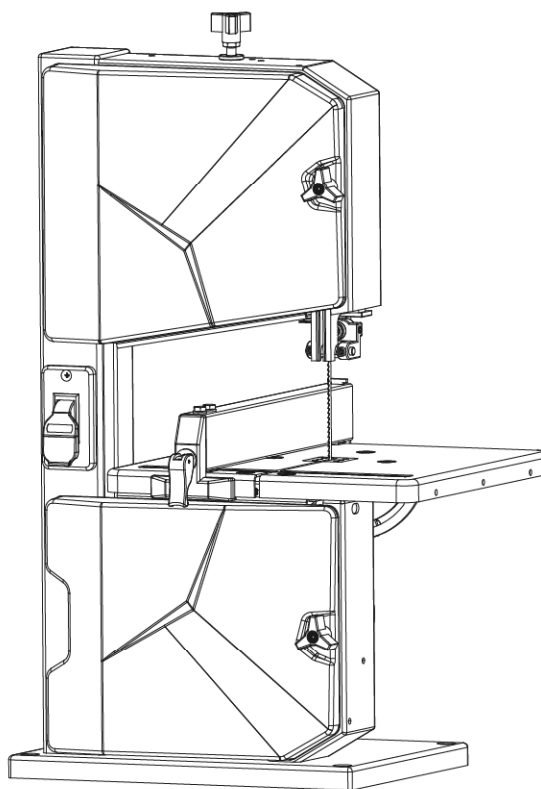
## OPERATOR'S MANUAL

**MODEL NUMBER**  
**SS0200**

**SERIAL NUMBER**

**PURCHASE DATE**

Both model number and serial number may be found on the main label. You should record both of them in a safe place for future use.



---

### WARNING

Carefully read and understand this entire operator's manual before installing and using this product. Pay attention to all the cautions and warnings.

---

### Shopmax Tools and Machines for your Shop

Shopmax manufactures a full line of rugged, long-lasting shop tools in several categories, including band saws, drill presses, shop vacuums, and more. As with sister company YARDMAX, expect professional quality, and is easy and safe to operate. With proper use and care, it is designed to give you many years of dependable service.

Prepare to experience the durability to take on any job — with the ease and portability.

### MAX Performance, MAX Value, MAX Support

- ✓ Backed by decades of proven manufacturing expertise
- ✓ Enhanced design features come standard
- ✓ Engineered for the best user experience
- ✓ Quality metal parts are used instead of plastic
- ✓ A robust warranty supports all products
- ✓ Budget-friendly prices make it practical



*Up for the job? SHOPMAX is.*

## TABLE OF CONTENTS

Introduction	1
Specifications	3
Symbols	3
Safety	4
Contents Supplied	7
Assembly	8
Know Your Machine	10
Operation	13

Maintenance	14
Transport	18
Storage	18
Stowring Diagramrage	18
Troubleshooting	19
Parts Diagram	20
Parts List	21
Warranty	23

**WARNING** ⚠

Carefully read through this entire operator's manual before using your new band saw. Pay attention to all cautions and warnings.

**CALIFORNIA PROPOSITION 65 WARNING****WARNING** ⚠

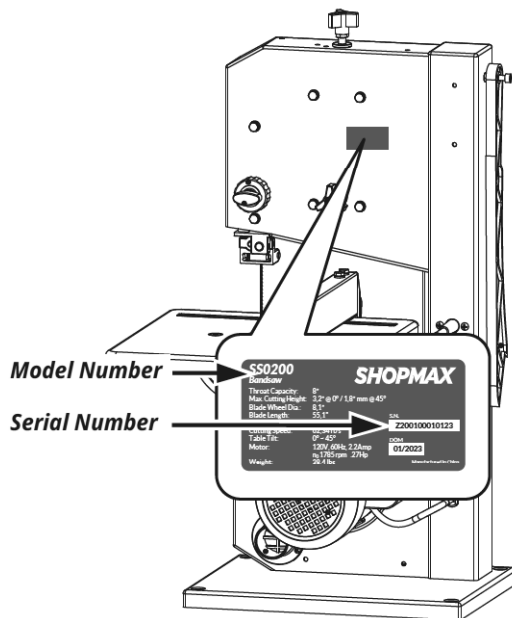
Cancer and Reproductive Harm. [www.P65Warnings.ca.gov](http://www.P65Warnings.ca.gov).

**ENVIRONMENTAL**

Recycle unwanted materials instead of disposing of them as waste. All tools, hoses, and packaging should be resorted, taken to the local recycling center and disposed of in an environmentally safe way.

**MODEL AND SERIAL NUMBERS**

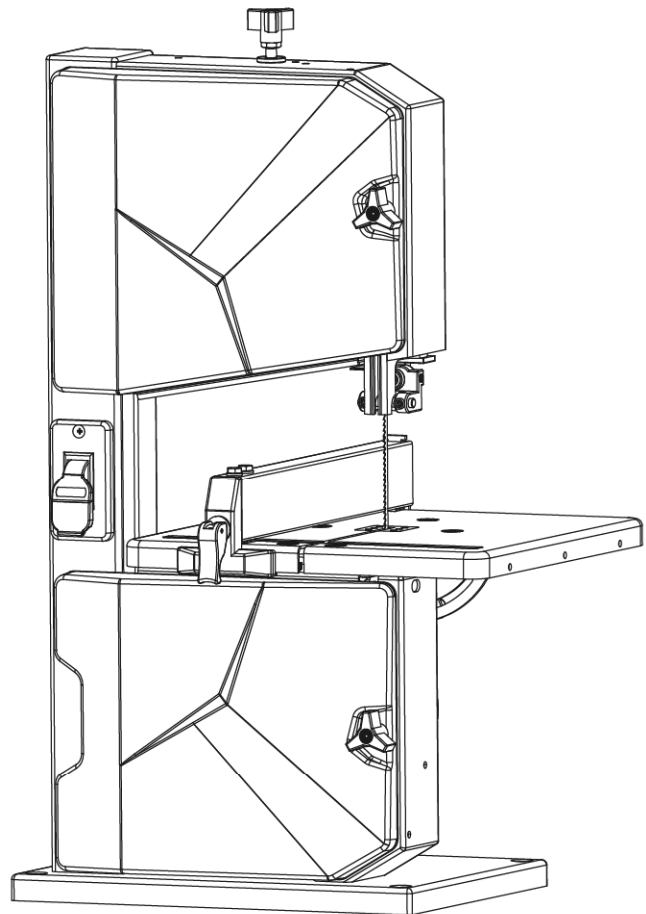
Record the model and serial number as well as date and place of purchase for future reference. Have this information available when ordering parts or optional accessories and when making technical or warranty inquiries.

**DISCLAIMER**

YARDMAX reserves the right to discontinue, change, and improve its products at any time without notice or obligation to the purchaser. The descriptions and specifications contained in this manual were in effect at printing. Equipment described within this manual may be optional. Some illustrations may not be applicable to your unit.

**SUPPORT**

Have questions about your SHOPMAX equipment? Call us at 847-327-0566 or 844-YARDMAX, email us at [info@shopmax.com](mailto:info@shopmax.com) for a replacement.



# SPECIFICATIONS

Model Number	SS0200
AC Motor	120 V~, 2.2 Amps, 60 Hz.
Throat Capacity	8"
Max. Cutting Height	3.2"@0° 1.8"@45°
Blade Wheel Dia.	8.1"
Blade Length	55.1"
Blade Width	0.14" min
	0.47" max
Cutting Speed	3,740 FPM
Table Size	12" x 12"
Table Tilt	0° - 45°
Weight	38.4 lbs

## SYMBOLS

The rating plate on your machine may show symbols. These represent important information about the product or instructions on its use.



Indicates a potential personal injury hazard.



Read these instructions carefully.



Wear eye protection.



Wear hearing protection.



Wear protective gloves.



Caution! Wear a breathing mask.



Caution! Risk of injury! Failure to keep your hands away from the blade will result in serious personal injury.



Properly dispose of waste oil!



Caution! Risk of injury! Failure to keep your hands away from the blade will result in serious personal injury.



The machine must be disconnected from the supply before maintenance! Disconnect the mains plug prior to the repair, cleaning, and maintenance of the saw!



Keep children and bystanders off and away.

# SAFETY

## SIGNAL SAFETY WORDS DEFINITION

The definitions below give the level of severity for each signal word.

### DANGER

This symbol is used to indicate a hazardous situation which, if not avoided, will result in serious injury or death.

### WARNING

This symbol points out safety instructions. Read and follow all instructions before attempting to operate this product. Failure to comply with these instructions could result in serious injury or death.

### CAUTION

This symbol indicates a hazard, which, if not avoided, may result in minor injury, moderate injury, or property damage.

### NOTE

This information makes the product easier to use.

## GENERAL SAFETY RULES

### Understand your Machine

Read this manual and labels affixed to the machine to understand its limitations and potential hazards.

Be thoroughly familiar with the controls and their proper operation. Know how to stop the machine and disengage the controls quickly.

Do not attempt to operate the machine until you fully understand how to properly operate and maintain the engine and how to avoid accidental injuries and/or property damage.

If the unit is to be used by someone other than original purchaser or loaned, rented, or sold, always provide this manual and any needed safety training before operation. The user can prevent and is responsible for accidents or injuries that may occur to themselves, other people, and property.

Do not force the machine. Use the correct machine for your application. The correct machine will do the job more efficiently and safer at the rate it was designed.

### Personal Safety

Warning! The use of any accessory or attachment other than one recommended in this instruction manual may present a risk of personal injury.

Do not permit children to operate this machine at any time.

Keep children, pets, and other people not using the unit away from the work area. Be alert and shut off unit if anyone enters work area. Keep children under the watchful care of a responsible adult.

Do not operate the machine while under the influence of drugs, alcohol, or any medication that could affect your ability to use it properly.

Dress properly. Wear heavy long pants, boots, and gloves. Do not wear loose clothing, short pants, or jewelry of any kind. Secure long hair so it is above shoulder level. Keep your hair, clothing, and gloves away from moving parts. Loose clothes, jewelry, or long hair can be caught in moving parts.

Protect eyes, face, and head from objects that may be thrown from the unit. Always wear safety goggles or safety glasses with side shields when operating.

Wear appropriate hearing protection. Wear respiratory protection to avoid the risk of inhaling harmful dust.

Always keep hands and feet away from all moving parts during operation. Moving parts can cut or crush body parts.

Always keep hands and feet away from all pinch points.

Do not touch parts that might be hot from operation. Allow parts to cool before attempting to maintain, adjust, or service.

Stay alert, watch what you are doing, and use common sense when operating the machine.

Do not overreach. Do not operate the machine while barefoot or when wearing sandals or similar lightweight footwear. Wear protective footwear that will protect your feet and improve your footing on slippery surfaces. Keep proper footing and balance at all times. This enables better control of the machine in unexpected situations.

### Inspect your Machine

Check your machine before starting it. Keep guards in place and in working order. Make sure all nuts, bolts, etc., are securely tightened.

Never operate the machine when it is in need of repair or is in poor mechanical condition. Replace damaged, missing, or failed parts before using it. Keep the machine in safe working condition. Regularly check to see that keys and adjusting wrenches are removed from the machine area before starting it. A wrench or a key that is left attached to a rotating part of the machine may result in personal injury. Avoid accidental starting. Be sure the motor switch is off before transporting the machine or performing any maintenance or service on the unit.

Transporting or performing maintenance or service on a machine with its switch on invites accidents. If the machine should start to vibrate abnormally, stop the motor and check immediately for the cause. Vibration is generally a warning sign

of trouble.

### **Electric Safety**

Avoid use of free and inadequately insulated connections. Connections must be made with protected material suitable for outdoor use.

Protect yourself from electric shock. Do not plug or unplug the motor while standing in or around damp or wet ground. Do not use the unit in wet or damp areas or expose it to rain. Prevent body contact with grounded surfaces: pipes, radiators, ranges, and refrigerator enclosures. Make sure your fingers do not touch the plug's metal prongs when plugging or unplugging the unit.

Avoid inadvertent starting. Make sure that the switch is switched off when plugging the plug into an outlet.

Only use approved and appropriately identified extension cables for use outdoors. Only use cable reels in the unrolled state.

Do not use the cable for purposes for which it is not intended. Do not use the cable to pull the plug out of the outlet. Protect the cable from heat, oil and sharp edges.

Never yank the cord to disconnect it from the socket. Have your electric tool repaired by a qualified electrician. This electric tool conforms to the applicable safety regulations. Repairs may only be performed by an electrician using original spare parts. Otherwise accidents can occur.

### **Work Area & Store Area**

Keep the work area orderly. Disorder in the work area can lead to accidents.

Take environmental influences into account. Do not expose electric tools to rain. Do not use electric tools in a damp or wet environment. Make sure that the work area is well-illuminated. Do not use electric tools where there is a risk of fire or explosion.

Securely store unused electric tools. Unused electric tools should be stored in a dry, elevated or closed location out of the reach of children.

Insure sufficient lighting in the work area and the area around the machine.

## Specific Safety Rules

### **Intended Use**

The band saw is designed to perform longitudinal and cross cuts on timber or wood-type materials. To cut round materials you must use suitable holding devices. The equipment is to be used only for its prescribed purpose. Any other use is deemed to be a case of misuse. The user / operator and not the manufacturer will be liable for any damage or injuries of any kind caused as a result of this. The machine is to be operated only with suitable saw blades. To use the machine properly you must also observe the safety regulations, the assembly instructions and the operating instructions to be found in this manual. All persons who use and service the machine have to be acquainted with this manual and must be informed about the machine's potential hazards. It is also imperative to observe the accident prevention regulations in force in your area. The same applies for the general rules of occupational health and safety.

### **Machine Use and Care**

The manufacturer shall not be liable for any changes made to the machine nor for any damage resulting from such changes. Even when the machine is used as prescribed it is still impossible to eliminate certain residual risk factors. The following hazards may arise in connection with the machine's construction and design:

- Damage to hearing if ear-muffs are not used as necessary.
- Harmful emissions of wood dust when used in closed rooms.
- Contact with the blade in the uncovered cutting zone.
- Injuries (cuts) when changing the blade.

- Injury from catapulted workpieces or parts of work-pieces.
- Crushed fingers.
- Kickback.
- Tilting of the workpiece due to inadequate support.
- Touching the blade.
- Catapulting of pieces of timber and workpieces.

Please note that our equipment has not been designed for use in commercial, trade or industrial applications. Our warranty will be voided if the machine is used in commercial, trade or industrial businesses or for equivalent purposes.

Risk of kickback (workpiece is caught by the band saw blade and thrown against the operator)! Do not jam workpieces. Cut thin or thin-walled workpieces only with finetoothed saw blades. Always use sharp band saw blades. If in doubt, check workpiece for inclusion of foreign matter (e.g. nails or screws). Cut only stock of dimensions that allow for safe and secure holding while cutting. Never cut several workpieces at the same time, and also no bundles containing several individual pieces. Risk of personal injury if individual pieces are caught by the band saw blade uncontrolled. When cutting round stock, use a suitable jig to prevent the workpiece from turning.

### **Maintain Tools with Care**

Keep cutting tools sharp and clean for better and safer performance.

Follow instruction for lubricating and changing accessory.

Inspect tool cords periodically and if damaged have them

repaired by an authorized service facility.

Inspect extension cords periodically and replace if damaged.

Keep handles dry, clean and free from oil and grease.

### Maintenance and Repair

Pull out the mains plug for any adjustment or repair tasks.

The generation of noise is influenced by various factors, including the characteristics of saw blades, condition of saw blade and electric tool. Use saw blades which were designed for reduced noise development, insofar as possible. Maintain the electric tool and tool attachments regularly and if necessary, initiate repairs in order to reduce noise.

Report faults on the electric tool, protective devices or the tool attachment to the person responsible for safety as soon as they are discovered.

Check the electric tool for potential damage. Protective devices and other parts must be care-fully inspected to ensure that they are fault-free and function as intended prior to continued use of the electric tool. Check whether the moving parts function faultlessly and do not jam or whether parts are dam-aged. All parts must be correctly mounted and all conditions must be fulfilled to ensure faultfree operation of the electric tool. The moving protective hood may not be fixed in the open position. Damaged protective devices and parts must be properly repaired or replaced by a recognized workshop, insofar as nothing different is specified in the operating manual. Damaged switches must be replaced at a customer service workshop. Do not use any

faulty or damaged connection cables. Do not use any electric tool on which the switch cannot be switched on and off.

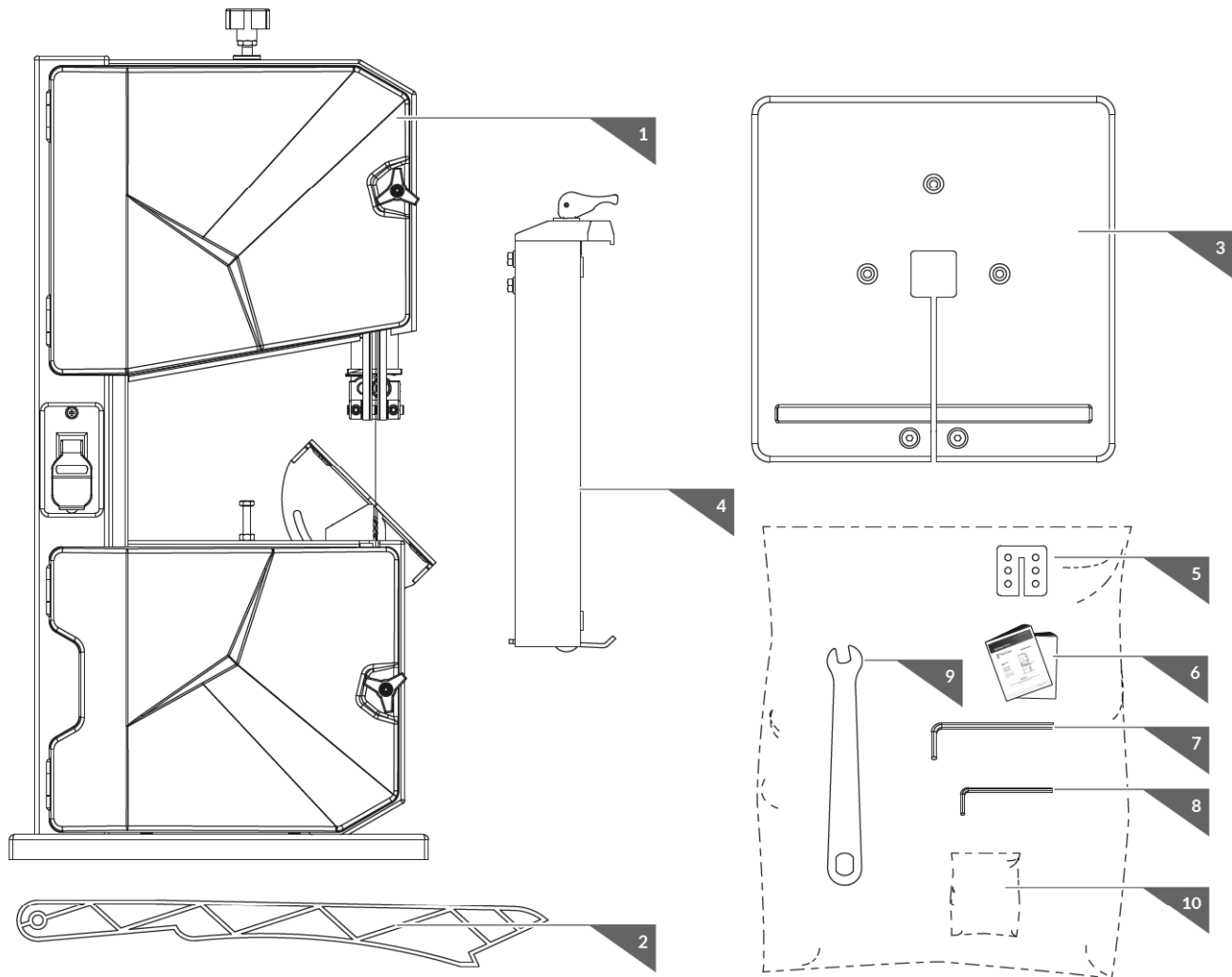
### Additional safety instructions

- Wear safety gloves whenever you carry out any maintenance work on the blade!
- When cutting round or irregularly shaped wood, use a device to stop the workpiece from twisting.
- When cutting boards in upright position, use a device to prevent kick-back.
- A dust extraction system designed for an air velocity of 20 m/s should be connected in order to comply with woodworking dust emission values and to ensure reliable operation.
- Give these safety regulations to all persons who work on the machine.
- Do not use this saw to cut fire wood.
- The machine is equipped with a safety switch to prevent it being switched on again accidentally after a power failure.
- Before you use the machine for the first time, check that the voltage marked on the rating plate is the same as your mains voltage.
- If you use a cable reel, the complete cable has to be pulled off the reel.

- Persons working on the machine should not be distracted.
- Note the direction of rotation of the motor and blade.
- Never dismantle the machine's safety devices or put them out of operation.
- Never cut workpieces which are too small to hold securely in your hand.
- Never remove loose splinters, chips or jammed pieces of wood when the saw blade is running.
- It is imperative to observe the accident prevention regulations in force in your area as well as all other generally recognized rules of safety.
- Note the information published by your professional associations.
- Adjustable protective devices have to be adjusted as close as possible to the workpiece.
- Important! Support long workpieces (e.g. with a roller table) to prevent them sagging at the end of a cut.
- Make sure the blade guard (3) is in its lower position when the saw is being transported.
- Safety guards are not to be used to move or misuse the machine.
- Blades that are misshapen or damaged in any way must not be used.
- If the table insert is worn, replace it.
- Never operate the machine if either the door protecting the blade or the detachable safety device are open.
- Ensure that the choice of blade and the selected speed are suitable for the material to be cut.
- Do not begin cleaning the blade until it has come to a complete standstill.
- For straight cuts of small workpieces against the longitudinal limit stop the push stick has to be used.
- The band saw blade guard should be in its lowest position close to the bench during transport.
- For miter cuts when the table is tilted, the parallel stop must be positioned on the lower part of the table.
- When cutting round timber, use a suitable holding device to prevent the workpiece turning.
- Never use guards to lift or transport items.
- Ensure that the band saw blade guards are used and correctly adjusted.
- Keep your hands a safety distance away from the band saw blade. Use a push stick for narrow cuts.
- The push stick has to be stored on the intended device, so that it can be reached from normal working position and is always ready to be used.
- In the normal operating position the operator is in front of the machine.

# CONTENTS SUPPLIED

The band saw comes partially assembled and is shipped in carefully packed carton. After all the parts have been removed from the carton, you should have:



No.	Description	Qty.
1	Main Machine	1
2	Push Stick	1
3	Work Table	1
4	Rip Fence	1
5	Table Insert	1
6	Operator's Manual	1
7	Allen Key, 4mm	1
8	Allen Key, 3mm	1
9	Blade Key	1
10	Hardware Bag	1

## Hardware Bag, Included:

Part	Description	Quantity
	M6 X 16	3
	M6 X 35	1



# ASSEMBLY

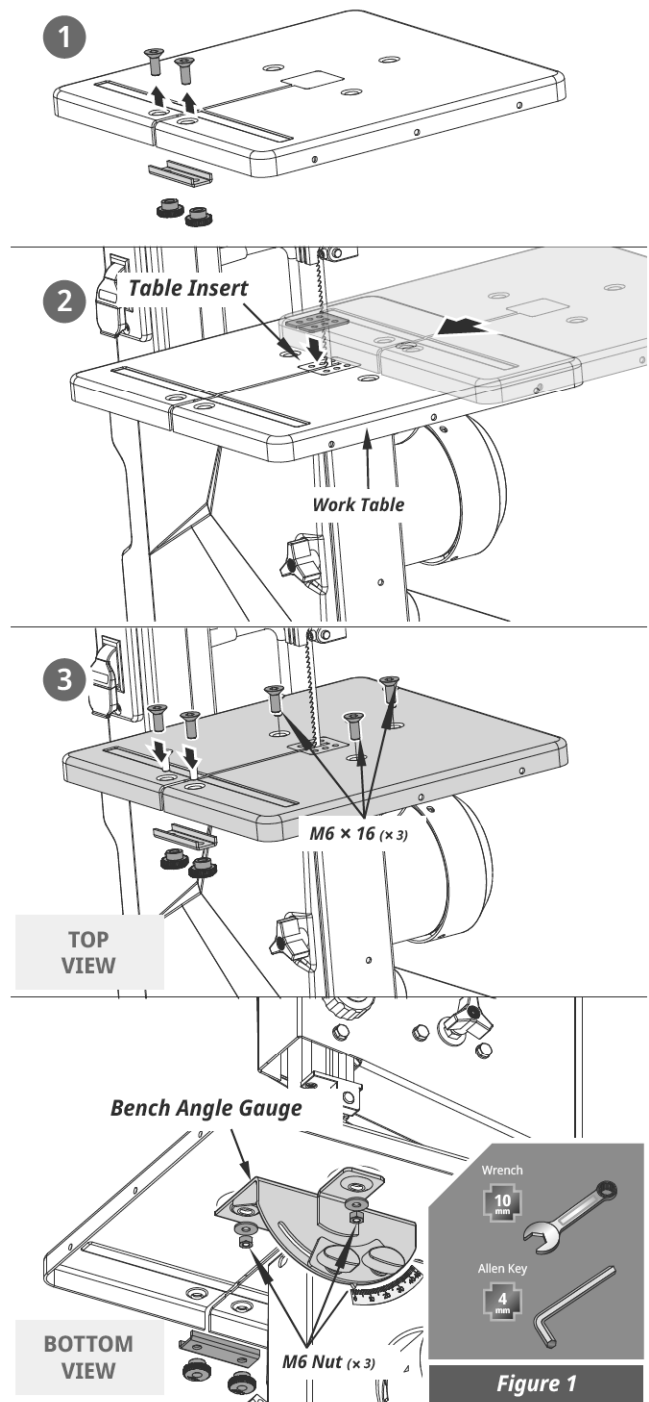
This band saw was partially assembled at the factory. To assemble your machine follow the below instructions.

## Work Table

1. Remove the two screws, two knurled nuts and U shape block from the work table. (See Figure 1 illustration 1)
2. Guide work table over the blade and place it on the table trunnion. Position the table insert on the work table properly. (See Figure 1 illustration 2)
3. Attach the work table with three each screws M6×16 to the table trunnion. (See Figure 1 illustration 3)
4. Fasten the work table with three nuts M6 and three flat washers. (See Figure 1 illustration 4)
5. Attach two screws and two knurled nuts with U shape block that were removed in step one and fasten.

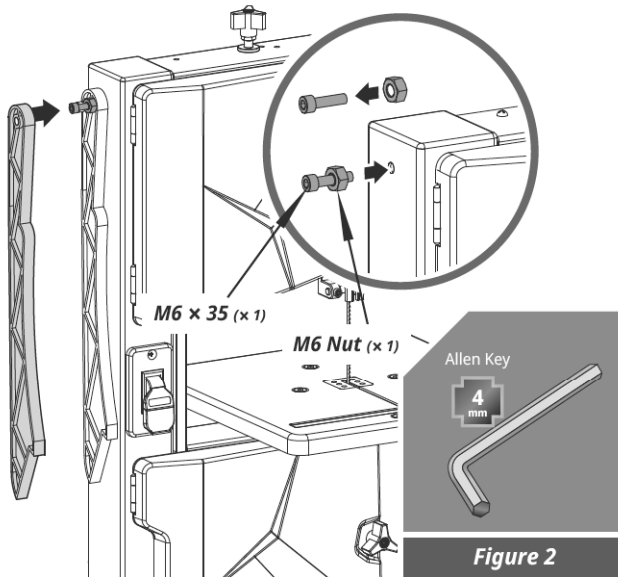
## NOTE

Before fastening the work table, make sure table be aligned in two planes. Laterally, in order for the blade to run dead centre through the table insert. At right angles to the blade.



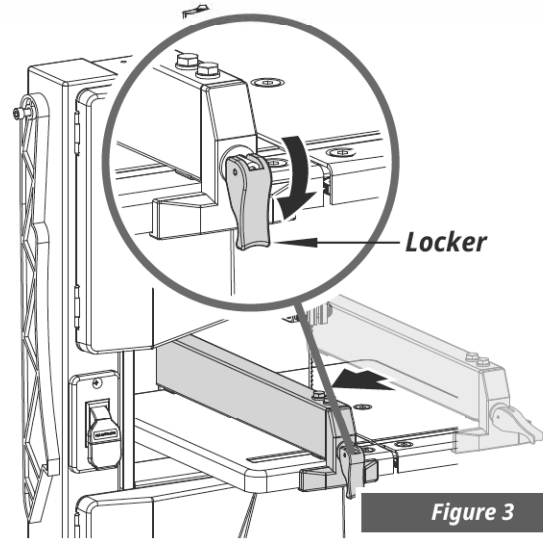
### Push Stick

1. Fix the screw and nuts on the machine, leaving room for push stick.
2. Hang the push stick on the screw. (See Figure 2)



### Rip Fence

Clamp the rip fence. It can be used on both sides of blade. (See Figure 3)



# KNOW YOUR MACHINE

## FEATURES AND CONTROLS

Setting Knob for Blade Tension

Door Lock

Upper Housing Door

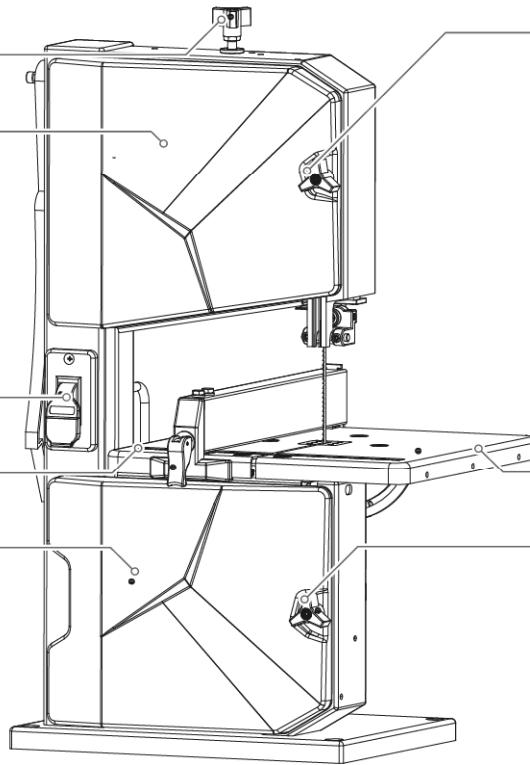
ON/OFF Switch

Rip Fence

Work Table

Lower Housing Door

Door Lock



Setting Knob for Blade Guard

Push Stick

Locking Knob for Blade Guard

Setting Knob for Blade Tracking Adjustment

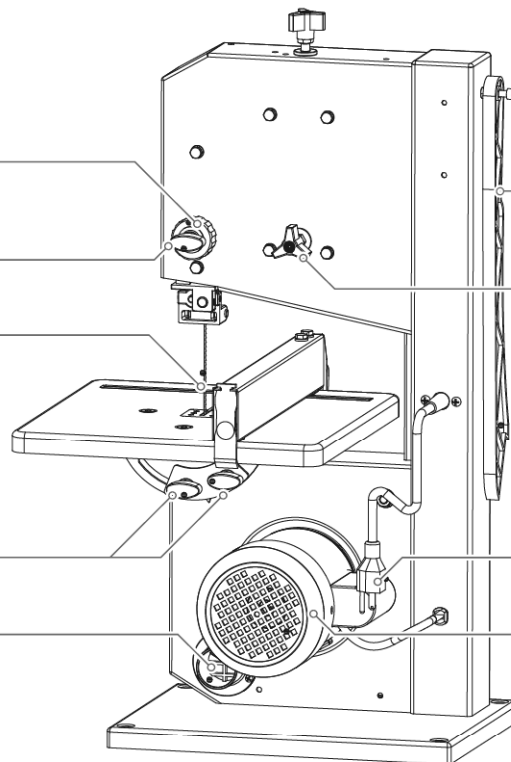
Blade

Setting Knob for Work Table

Power Cord and Plug

Suction Connector

Motor



Know Your Machine - 

## Set Up

### Adjusting the Blade Tension

This tracking adjustment is required to have the blade run dead center on the rubber tyres of the band saw wheels:

- Turning the setting knob clockwise increases the blade tension.
- Turning the setting knob counter-clockwise reduces the blade tension. ( See Figure 4 )

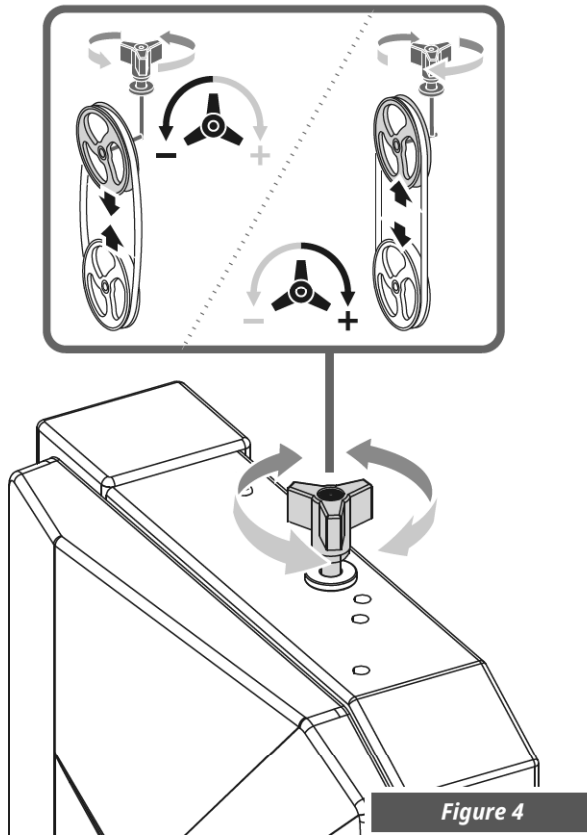


Figure 4

### Adjusting the Work Table Tilting

After loosening both locking screws, the work table tilts steplessly through 45° to the blade. ( See Figure 5&6 )

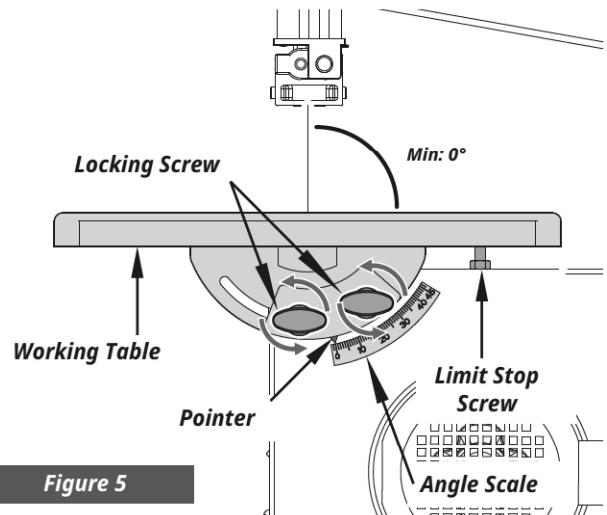


Figure 5

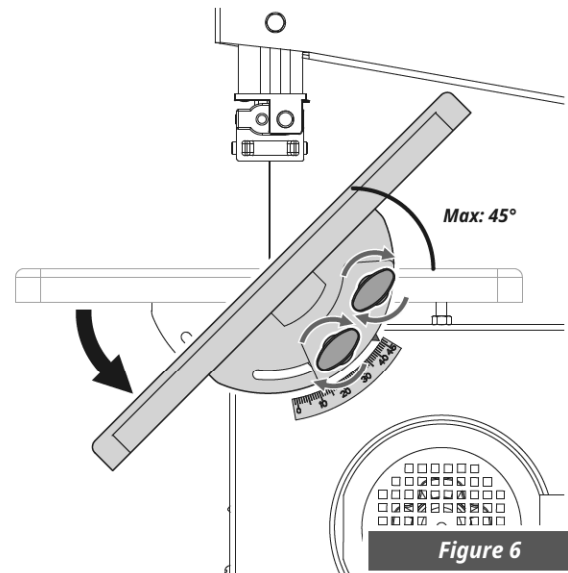


Figure 6

### Work Table Alignment

1. Loosen the three fastening screws that hold the lower table trunnion.
2. Align working table so that the blade runs through the centre of the table insert's slot.
3. Tighten the three fastening screws again.

**Aligning the work table at right angles to the blade**

1. Raise upper blade guide fully. Check band saw blade tension. (See Figure 7)

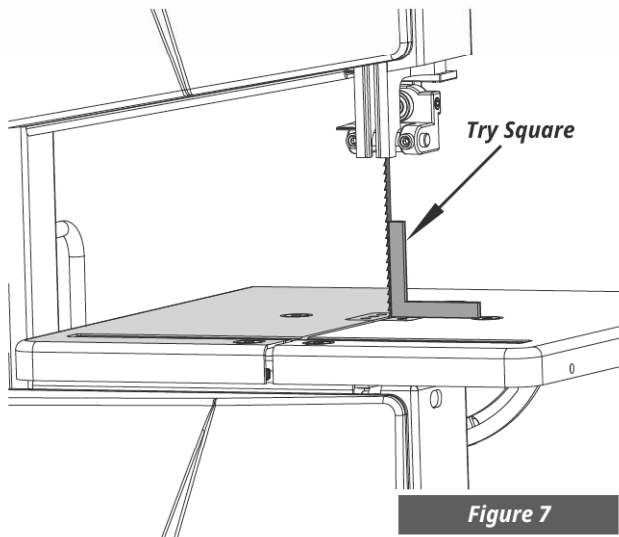


Figure 7

2. Loosen locking screws.
3. Using a try square, set the table at right angles to the blade and tighten the locking screws again.
4. Loosen locking nut and adjust limit stop screw until it touches the working table. (See Figure 8)

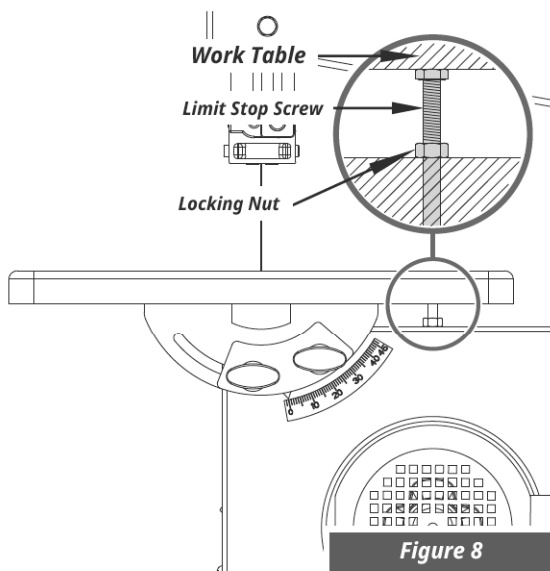


Figure 8

5. Tighten locking nut.

**Setting Up the Rip Fence**

The rip fence is clamped to the front. It can be used on both sides of the blade. (See Figure 9)

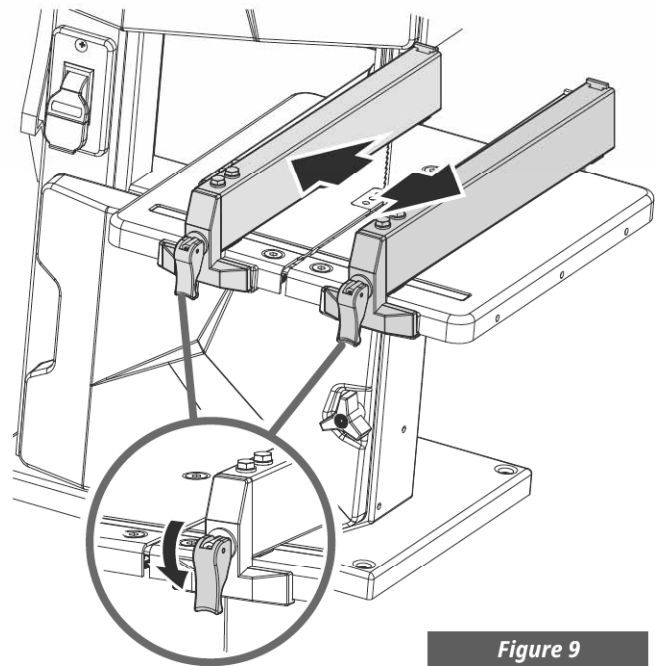


Figure 9

**Adjusting the Blade Guard**

The blade guard protects against unintentional contact with the saw blade and from chips flying about. In order for the upper blade guard to provide adequate protection against contact with the band saw blade, it must always be set as close as possible against the workpiece (max. distance 3 mm). (See Figure 10)

1. Loosen the locking knob.
2. Rotate the setting knob to adjust the blade guard in the right position, then fasten the locking knob.

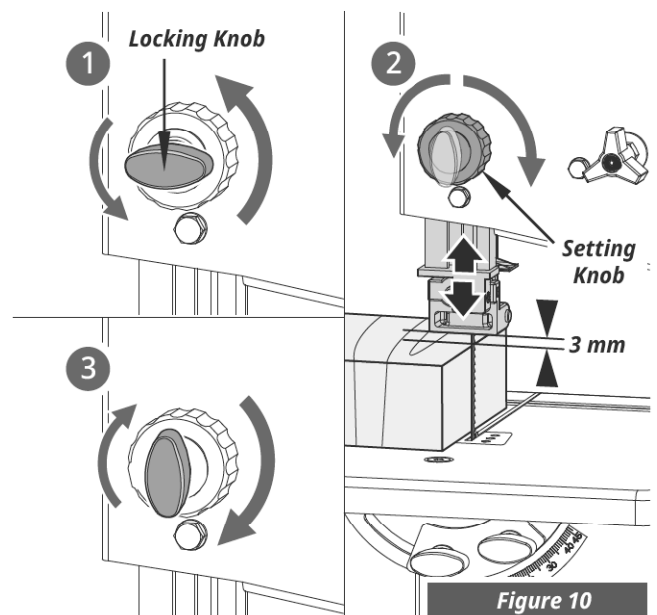


Figure 10

# OPERATION

## WARNING

Start the saw only after the following preparations are completed:

- The saw is fastened;
- The saw table is installed and aligned;
- Safety devices have been checked. Connect the saw to the mains supply only after all of the above preparations are completed! Otherwise there is a risk of an unintentional starting of the saw, which can cause severe personal injury.

## Mounting the saw in the stable and flat supporting surface

1. Drill 4 holes in the supporting surface.
2. Put fixing bolts through the base plate and secure with nuts. (See Figure 11)

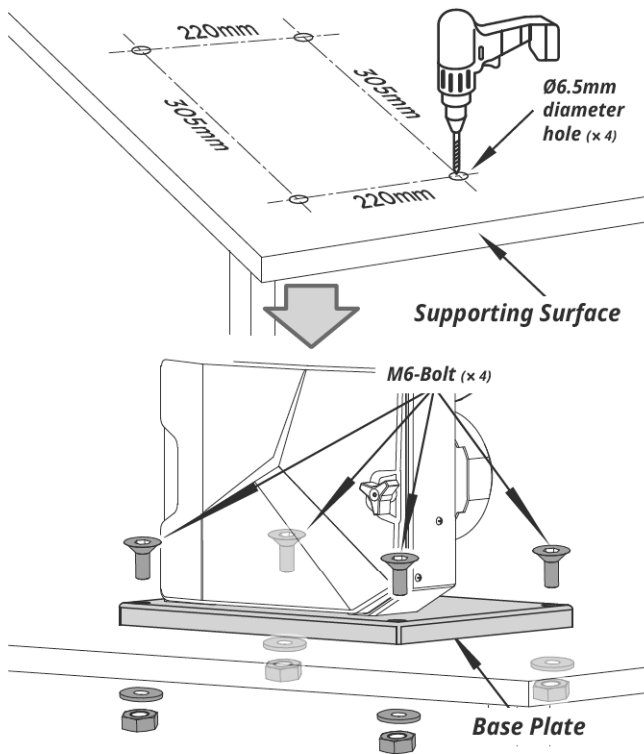


Figure 11

## Switch

See Figure 12, The band saw is equipped with a power switch that has a built-in locking feature. This feature is intended to prevent unauthorized and possible hazardous use by children and others. (See Figure 12)

1. To turn the machine on

With the switch key inserted into the switch, lift the switch to turn ON (I).

2. To turn the machine off

With the switch key inserted into the switch, push the switch down to turn OFF (O).

3. To lock the machine

Place the switch in the OFF (O) position. Remove the switch key from the switch and store in a secure location.

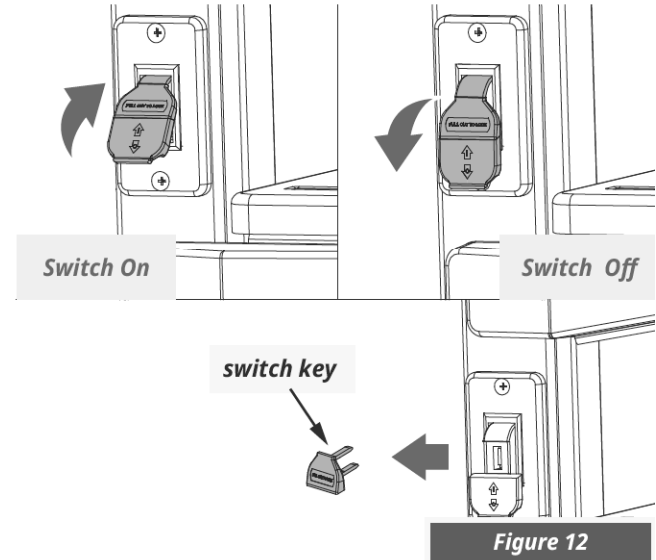


Figure 12

## Sawing

1. If necessary, adjust the table tilt.
2. Select rip fence and table tilt for the type of cutting operation to be carried out.

## WARNING

Danger by jamming workpiece! When using the rip fence with a tilted saw table, the rip fence must be installed on the lower side of the working table.

3. Set upper blade guide 3 mm above the workpiece.

## WARNING

Always make a trial cut in a piece of scrap to verify settings; correct if necessary before cutting the workpiece.

4. Place workpiece on the working table.
5. Plug in.
6. Start saw.
7. Cut workpiece in a single pass.
8. Switch off if no further cutting is to be done immediately afterwards.

## WARNING

Machine has suction connector, user can connect the machine to a proper suction unit when working.

# MAINTENANCE

## WARNING

Prior to any adjustment, maintenance or service work disconnect the mains power plug!

### General Maintenance Measures

Keep all safety devices, air vents and the motor housing free of dirt and dust as far as possible. Wipe the equipment with a clean cloth or blow it with compressed air at low pressure.

We recommend that you clean the device immediately each time you have finished using it.

Clean the equipment regularly with a damp cloth and some soft soap. Do not use cleaning agents or solvents; these could attack the plastic parts of the equipment. Ensure that no water can seep into the device. The ingress of water into an electric tool increases the risk of an electric shock.

In order to extend the service life of the tool, oil the rotary parts once monthly. Do not oil the motor.

### Saw Blade Change

## DANGER

Risk of injury, even with the band saw blade at standstill. Wear gloves when changing blades.

Use only suitable band saw blades.

1. Loosen the 2 knurled screws and remove the U shape blocker. (See Figure 13)

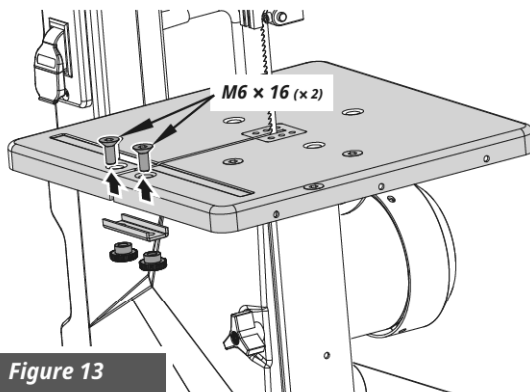


Figure 13

2. Open both housing doors. (See Figure 14)

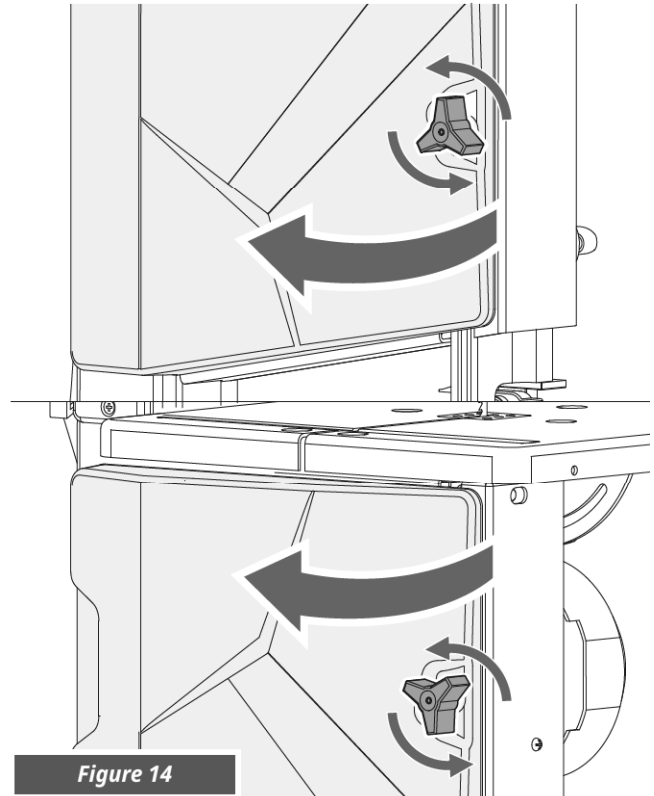


Figure 14

3. Loosen setting knob until the band saw blade has slackened. (See Figure 15)

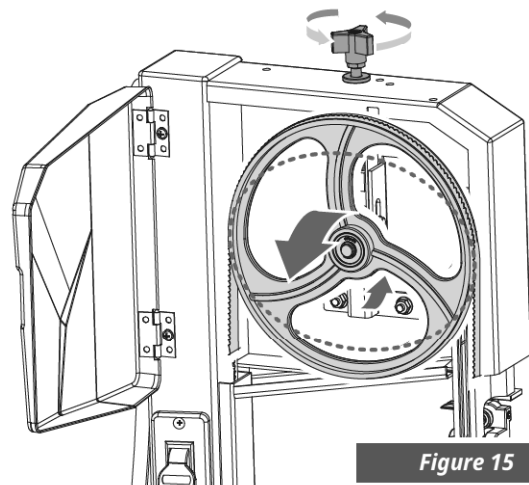


Figure 15

4. To remove the band saw blade, guide it through the slot in the working table.
5. Fit fresh band saw blade. Ensure correct position: the teeth must point towards the front of the saw (where the doors are).
6. Center band saw blade on the rubber tyres of the band saw wheels.
7. Tighten setting knob until blade does no longer slip off the band saw wheels.
8. Close both housing doors.
9. Tension band saw blade;
  - Align band saw blade and align blade guides;
  - let saw test run for at least one minute;
  - Stop saw, unplug and recheck settings. (See Figure 16)

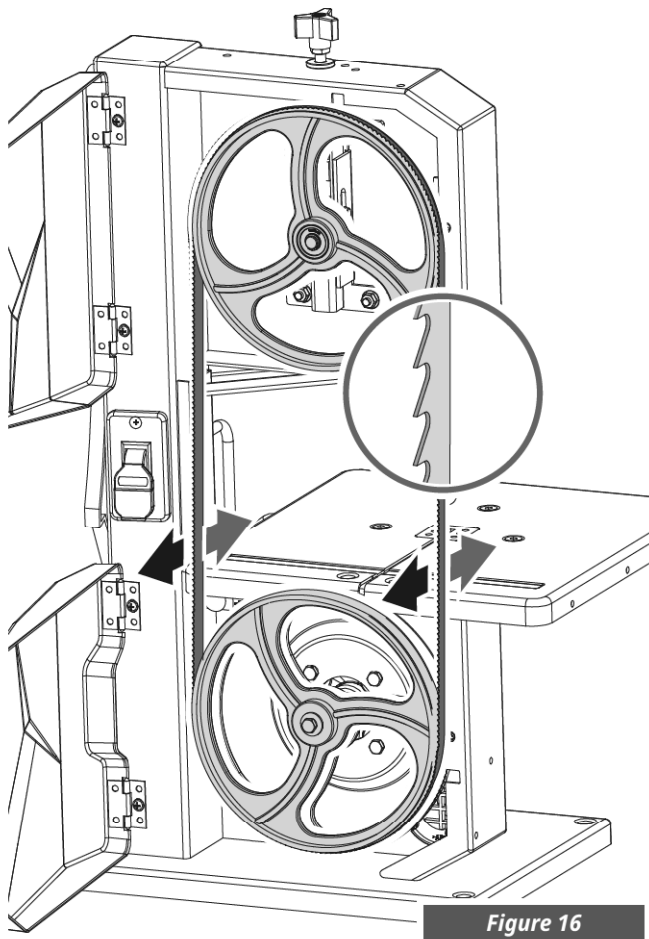


Figure 16

### Adjusting the Blade Tension

This tracking adjustment is required to have the blade run dead center on the rubber tyres of the band saw wheels:

- Turning the setting knob clockwise increases the blade tension.
- Turning the setting knob counter - clockwise reduces the blade tension. (See Figure 17)

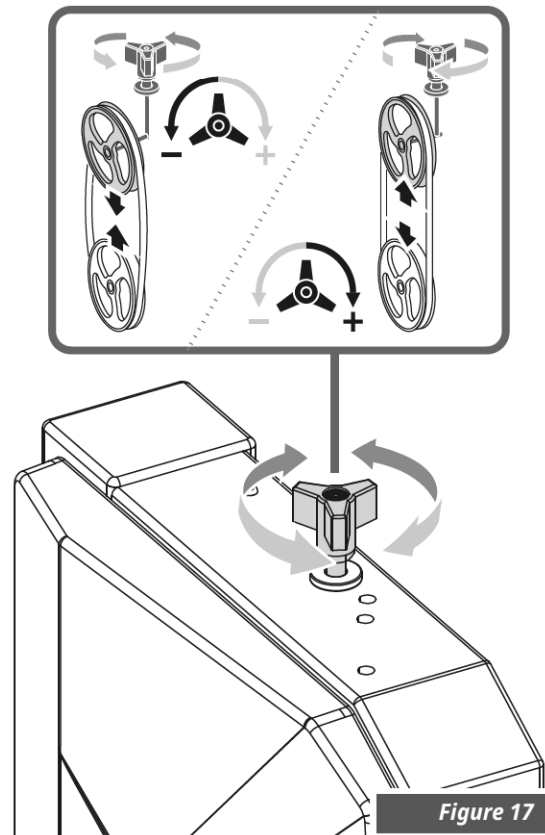


Figure 17

### Band Saw Blade Alignment

If the band saw blade does not run in the centre of the rubber tyres, the tracking needs to be corrected by adjusting the tilt of the upper band saw wheel:

1. Loosen locking nut.
2. Turn setting knob:
  - Turn setting knob clockwise if the band saw blade runs towards the front of the saw.
  - Turn setting knob counter- clockwise if the band saw blade runs towards the rear of the saw.
3. Tighten locking nut. (See Figure 18)



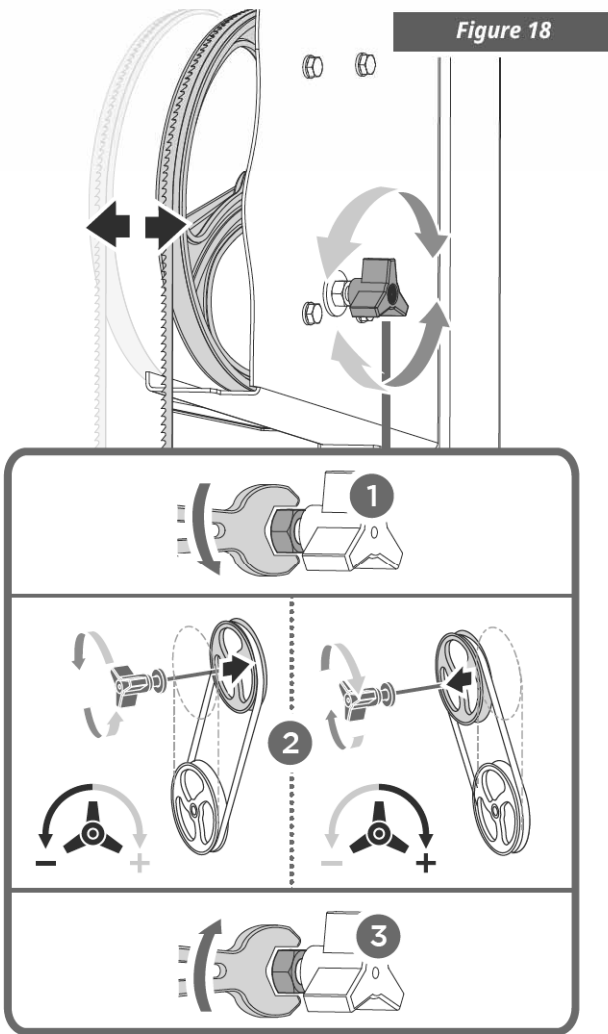


Figure 18

**Upper Blade Guide Alignment**

The upper blade guide consists of:

- a thrust bearing (supports the band saw blade from the rear),
- two guide pins (providing lateral support).

The bearing and guide pins need to be readjusted after every band saw blade change or tracking.

**NOTE** ⓘ

Periodically check all bearings for wear, if necessary replace both guide bearings at the same time.

**Thrust bearing adjustment**

1. If necessary, align and tighten the band saw blade.
2. Loosen the thrust bearing's locking screw.

3. Adjust thrust bearing position (distance thrust bearing - band saw blade = 0.5 mm - if the band saw blade is turned by hand, it shall not touch the thrust bearing. ( See Figure 19 )

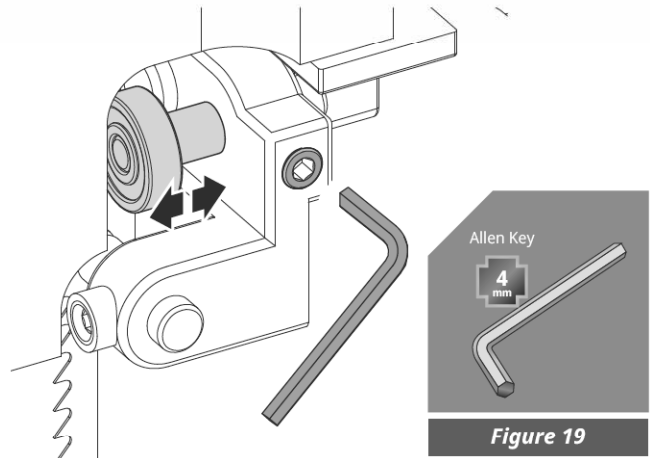


Figure 19

4. Tighten the thrust bearing locking screw.

**Guide pin adjustment**

1. Loosen screws.
2. Press guide pins together, keep 0.5 mm distance between guide pin and the saw blade. ( See Figure 20 )

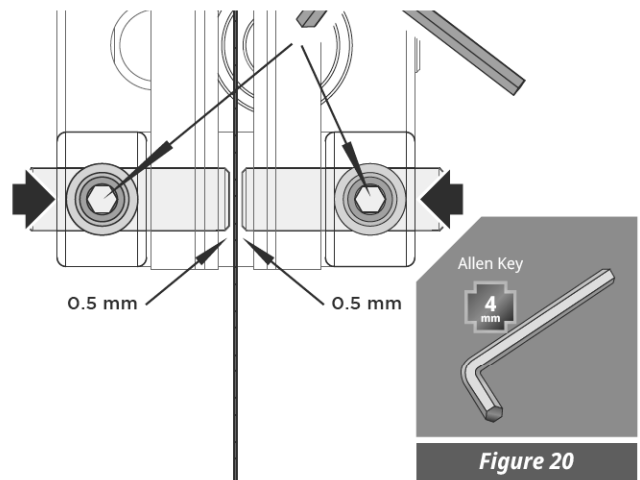


Figure 20

3. Tighten screws again.

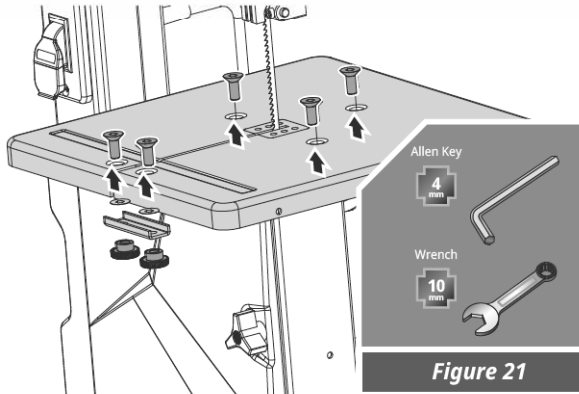
**Lower Blade Guide Alignment**

The lower blade guide consists of:

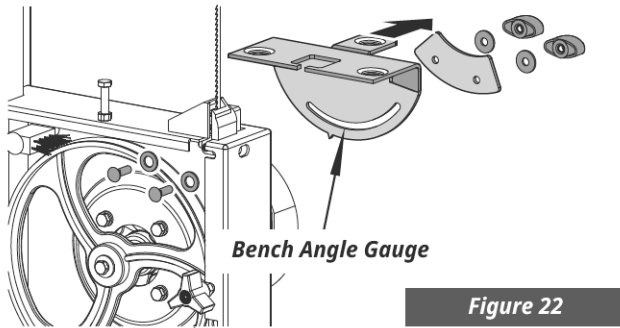
- a thrust bearing (supports the band saw blade from the rear),
- two guide pins (providing lateral support).

### Thrust bearing adjustment

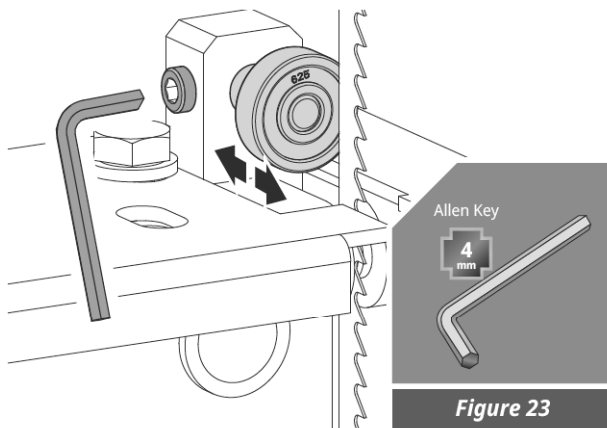
1. Loosen the two screws and remove the under blocks.
2. Loosen the three screws and Remove the working table from the table trunnion . ( See Figure 21 )



3. Loosen the two knobs and remove the bench angle gauge. ( See Figure 22 )
4. Open the lower housing door.



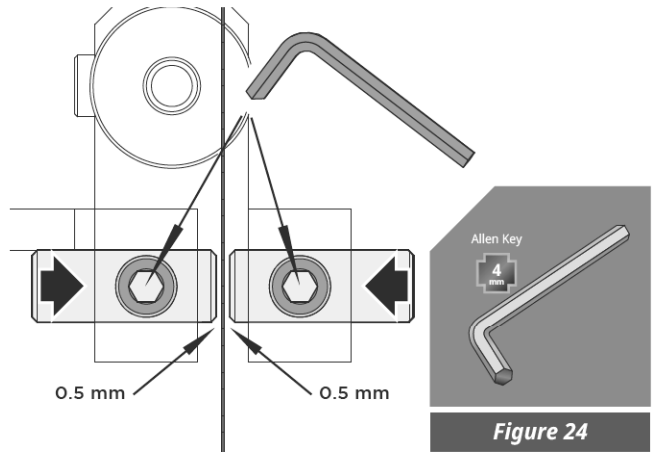
5. Raise upper blade guide fully.
6. If necessary, align and tighten the band saw blade.
7. Loosen the thrust bearing's locking screw. ( See Figure 23 )
8. Adjust thrust bearing position (distance thrust bearing - band saw blade = 0.5 mm - if the band saw blade is turned by hand, it shall not touch the thrust bearing).



9. Tighten the thrust bearing locking screw.

### Guide pin adjustment

1. Loosen screws.
2. Press guide pins together, keep 0.5 mm distance between guide pin and the saw blade. ( See Figure 24 )

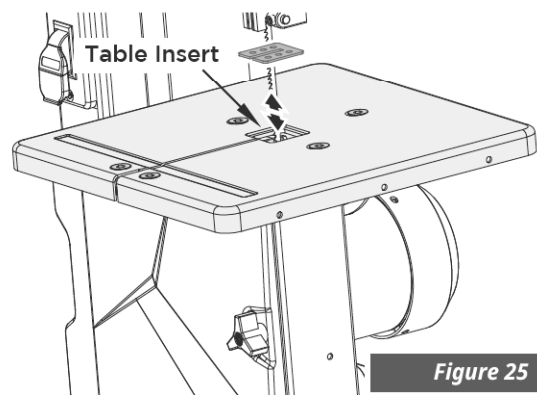


3. Tighten screws again.
4. Attach the working table to the table trunnion.
5. Fit the U shape under block to the working table.

### Table Insert Replacement

The table insert needs replacement when its slot has become enlarged or damaged.

1. Remove table insert from saw table (push up from underneath). ( See Figure 25 )
2. Fit new table insert.



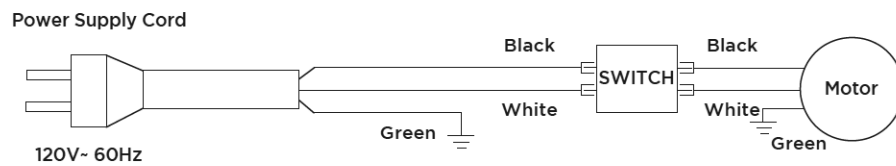
## TRANSPORT

1. Turn off the power tool before any transport and disconnect it from the power supply.
2. Apply the power tool at least with two people, do not touch the table extensions.
3. Protect the power tool from knocks, bumps and strong vibrations such as during transport in vehicles.
4. Secure the power tool against overturning and sliding.
5. Never use the safety devices for handling or transporting purpose.

## STORAGE

Store the equipment and accessories in a dark and dry place at above freezing temperature. The ideal storage temperature is between 5 and 30°C. Store the electric tool in its original packaging. Cover the electric tool in order to protect it from dust and moisture.

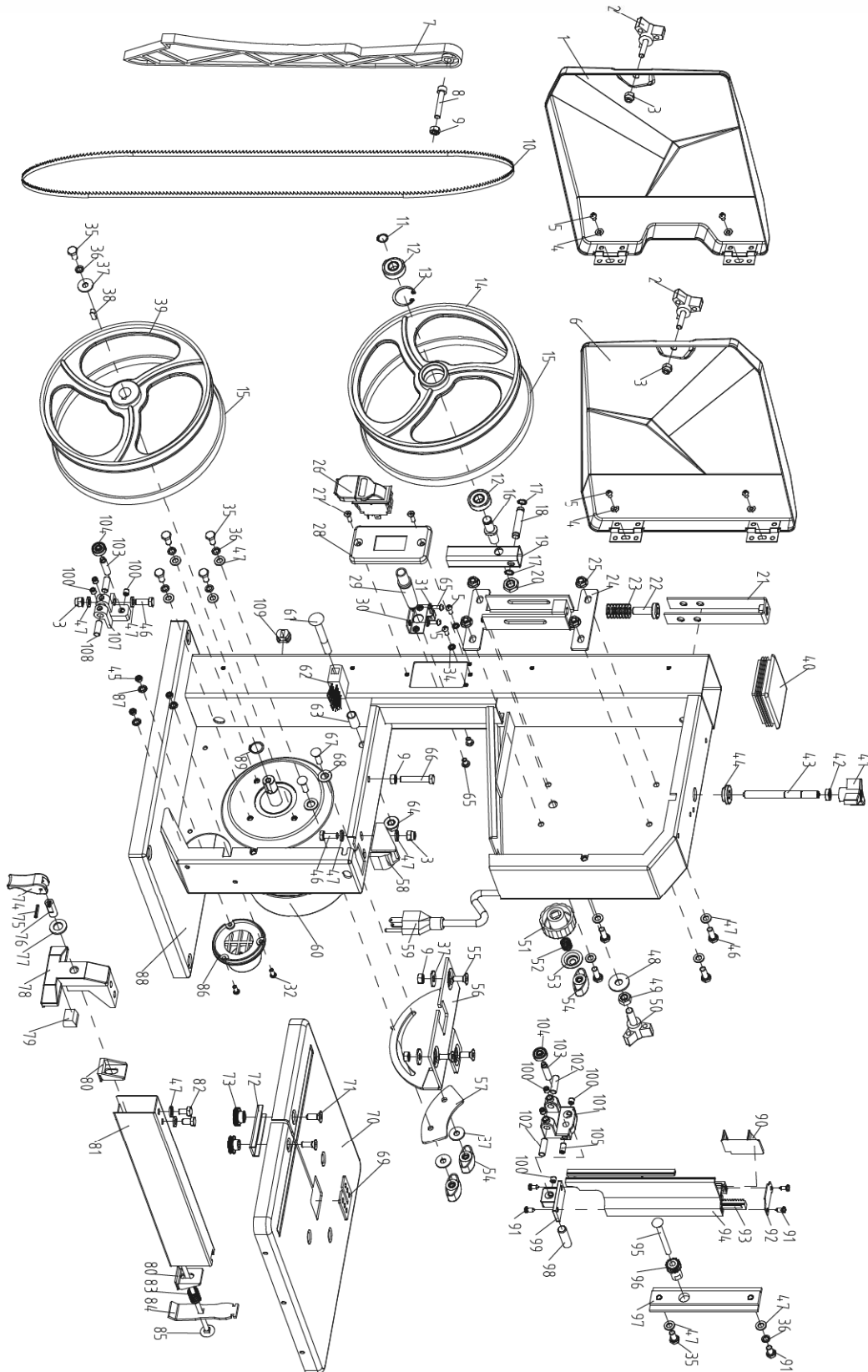
## STOWIRING DIAGRAMRAGE



# TROUBLESHOOTING

Problem	Cause	Remedy
Motor does not work	Motor, cable or plug defective, fuses burnt	Arrange for inspection of the machine by a specialist. Never repair the motor yourself. Danger! Check fuses and replace as necessary
The motor starts up slowly and does not reach operating speed	Voltage too low, coils damaged, capacitor burnt	Contact the utility provider to check the voltage Arrange for inspection of the motor by a specialist Arrange for replacement of the capacitor by a specialist
Motor makes excessive noise	Coils damaged, motor defective	Arrange for inspection of the motor by a specialist
The motor does not reach its full power	Circuits in the network are overloaded (lamps, other motors, etc.)	Do not use any other equipment or motors on the same circuit
Motor overheats easily	Overloading of the motor, insufficient cooling of the motor	Avoid overloading the motor while cutting, remove dust from the motor in order to ensure optimal cooling of the motor
Saw cut is rough or wavy	Saw blade dull, tooth shape not appropriate for the material thickness	Resharpener saw blade and/or use suitable saw blade
Workpiece pulls away and/or splinters	Excessive cutting pressure and/or saw blade not suitable for use	Insert suitable saw blade
Saw blade is not running straight	1. Guide has been wrongly set 2. Wrong saw blade	1. Set the saw blade guide according to the operating instructions 2. Select a saw blade according to the operating instructions
Burn marks appear on the wood during the cutting work	1. Blunt saw blade 2. Wrong saw blade	1. Change the saw blade 2. Select a saw blade according to the operating instructions
Saw blade jams during cutting work	1. Blunt saw blade 2. Deposits on the saw blade 3. Guide has been set poorly	1. Change the saw blade 2. Clean the saw blade 3. Set the saw blade guide according to the operating instructions

# PARTS DIAGRAM



Exploded View & Parts Lists - 

## PARTS LIST

No.	Description	Qty.
1	Lower Housing Door	1
2	Door Locker M6x23	2
3	Lock Nut M6	4
4	Flat Washer 4	4
5	Screw M4x8	4
6	Upper Housing Door	1
7	Push Stick	1
8	Screw M6x35	1
9	Nut M6	5
10	Blade	1
11	Circlip for Shaft 10	1
12	Bearing 6000-2Z	2
13	Circlip for Hole	1
14	Band Saw Wheel-Upper	1
15	Rubber Tyre	2
16	Upper Pulley Shaft	1
17	Circlip for Shaft 8	2
18	Horizontal Shaft	1
19	Upper Wheel Shaft Seat	1
20	Thin Nut M10	1
21	U Shaped Bracket	1
22	Central Spindle	1
23	Wing Spring	8
24	Guide Plate Assembly	1
25	Nut M6	4
26	ON/OFF Switch	1
27	Screw M4x12	2
28	Switch Plate	1
29	Cable Sheath	1
30	Cable Fixing Plate	1

No.	Description	Qty.
31	Cable Pressing Plate	1
32	Screw M4x10	5
33	Discontinued	N/A
34	Lock Washer 4	2
35	Bolt M6x12	6
36	Spring Washer 6	6
37	Big Flat Washer 6	6
38	Key 5x14	1
39	Band Saw Wheel-Lower	1
40	Column Plug	1
41	Setting Knob for Blade Tension	1
42	Thin Nut M8	1
43	Adjusting Rod	1
44	Support Bushing	1
45	Nut M4	3
46	Bolt M6x16	8
47	Flat Washer 6	16
48	Big Flat Washer 8	1
49	Nut M8	1
50	Setting Knob for Blade Tracking Adjustment	1
51	Setting Knob for Blade Guard	1
52	Pressing Spring	1
53	Wing Cap	1
54	Locking Knob	3
55	Bolt M6x16	3
56	Bench Angle Gauge	1
57	Lock Plate	1
58	Lower Blade Guard	1
59	Plug & Power Cord	1
60	Motor	1

No.	Description	Qty.
61	Bolt M8x65	1
62	Brush	1
63	Bushing	1
64	Nut M8	1
65	Bolt M5x10	4
66	Bolt M6x40	1
67	Bolt M6x20	2
68	Flat Washer 8	4
69	Table Insert	1
70	Work Table	1
71	Bolt M6x20	2
72	U Shaped Blocker	1
73	Knurled Nut	2
74	Rip Fence Locker	1
75	Pin 3x16	1
76	Connecting Bushing	1
77	Flat Washer 10	1
78	Rip Fence Holder	1
79	Stop Block	1
80	Clamping Block	2
81	Rip Fence	1
82	Bolt M6x10	3
83	Rip Fence Spring	1
84	Clamping Press Plate	1
85	Clamping Screw Rod	1
86	Suction Connector	1
87	Lock Washer 5	3
88	Machine Body Weldment	1
89	Circlip 14	1
90	Sliding Plate	1
91	Screw ST3.5*9.5	4
92	Dust Cap	1

No.	Description	Qty.
93	Rack	1
94	Upper Blade Guard	1
95	Bolt M6x60	1
96	Gear	1
97	Guide Block	1
98	Fixing Rod	1
99	Upper Blade Guide Seat	1
100	Screw M6x6	7
101	Upper Blade Guide	1
102	Upper Guide Pin	2
103	Bearing Shaft	2
104	Bearing 625-2Z	2
105	Screw M6x12	1
106	Discontinued	N/A
107	Lower Blade Guide	1
108	Lower Guide Pin	2
109	Cable Gland Strain Relief Connector	1

# WARRANTY

## WARRANTY INFO

*The warranty set forth below is given by YARDMAX® with respect to new merchandise purchased and used in the United States and/or its territories and possessions. YARDMAX warrants its product, subject to limitations and exclusions below, against defects in material and workmanship for a period of two (2) years commencing on the date of original purchase, and will, at its discretion, repair or replace, free of charge to the customer, any part found to be defective in material or workmanship when the product is solely used for residential purposes during the two (2) year period.*

## LIMITATIONS AND EXCLUSIONS

*YARDMAX's warranty does not cover normal wear and tear, neglect, accident, improper assembly, improper maintenance, modification, alteration, improper repair, use of parts not approved by YARDMAX or product damage due to misuse by the customer. Replacement of products or parts due to normal wear and tear is the responsibility of the customer. Proof of original purchase is required. The warranty is non-transferrable. This limited warranty shall only apply if the product has been assembled, operated, and maintained in accordance with Owner's Manual supplied with the product. No Implied Warranty, including any implied warranty of merchantability or fitness for a particular purpose, applies after the expiration of the applicable period of express written warranty provided above. No other express warranty, whether written or oral, except mentioned herein, given by any person or entity, including a dealer or retailer, with respect to any product, shall bind YARDMAX. The provisions as set forth herein in this warranty provide the sole and exclusive remedy arising from the sale. YARDMAX shall not be liable for incidental or consequential damages to the extent allowable by law. The customer may have other rights not disclosed herein; and they may vary from state to state.*

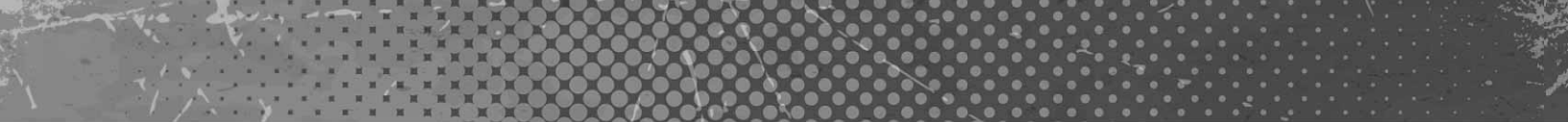
**Have questions about your SHOPMAX equipment?**

**Call us at 847-327-0566 or 844-YARDMAX, email us at [info@shopmax.com](mailto:info@shopmax.com)**











Your Tools. Your Shop.™

