



10" Drill Press

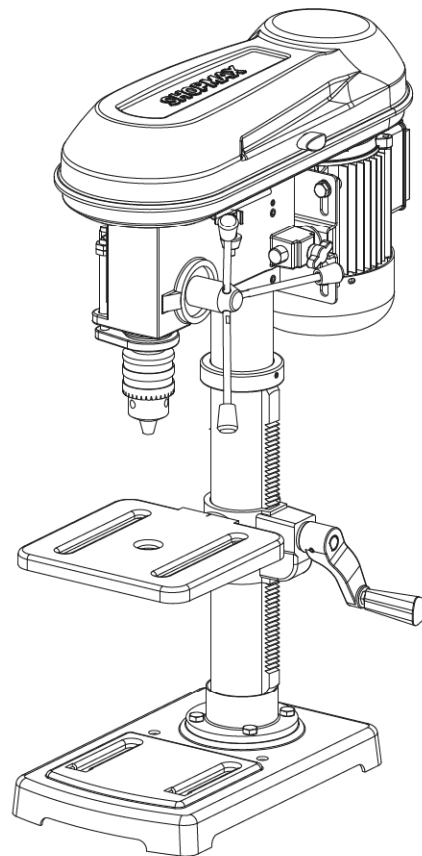
OPERATOR'S MANUAL

MODEL NUMBER
SD1013

SERIAL NUMBER

PURCHASE DATE

Both model number and serial number may be found on the main label. You should record both of them in a safe place for future use.



WARNING ⚠

Carefully read and understand this entire operator's manual before installing and using this product. Pay attention to all the cautions and warnings.

Shopmax Tools and Machines for your Shop

Shopmax manufactures a full line of rugged, long-lasting shop tools in several categories, including band saws, drill presses, shop vacuums, and more. As with sister company YARDMAX, expect professional quality, and is easy and safe to operate. With proper use and care, it is designed to give you many years of dependable service.

Prepare to experience the durability to take on any job — with the ease and portability.

MAX Performance, MAX Value, MAX Support

- ✓ Backed by decades of proven manufacturing expertise
- ✓ Enhanced design features come standard
- ✓ Engineered for the best user experience
- ✓ Quality metal parts are used instead of plastic
- ✓ A robust warranty supports all products
- ✓ Budget-friendly prices make it practical



Up for the job? SHOPMAX is.

TABLE OF CONTENTS

Introduction	1
Specifications	3
Symbols	3
Safety	4
Contents Supplied	7
Assembly	8
Know Your Machine	11
Operation	15

Maintenance	16
Transport	16
Storage	16
Troubleshooting	17
Parts Schedule	19
Parts List	20
Warranty	22

WARNING ⚠

Carefully read through this entire operator's manual before using your new machine. Pay attention to all cautions and warnings.

CALIFORNIA PROPOSITION 65 WARNING**WARNING** ⚠

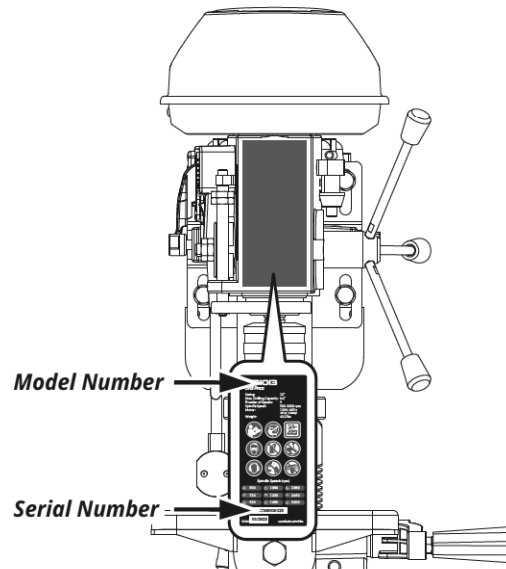
Cancer and Reproductive Harm. www.P65Warnings.ca.gov.

ENVIRONMENTAL

Recycle unwanted materials instead of disposing of them as waste. All tools, hoses, and packaging should be resorted, taken to the local recycling center and disposed of in an environmentally safe way.

MODEL AND SERIAL NUMBERS

Record the model and serial number as well as date and place of purchase for future reference. Have this information available when ordering parts or optional accessories and when making technical or warranty inquiries.

**DISCLAIMER**

YARDMAX reserves the right to discontinue, change, and improve its products at any time without notice or obligation to the purchaser. The descriptions and specifications contained in this manual were in effect at printing. Equipment described within this manual may be optional. Some illustrations may not be applicable to your unit.

SUPPORT

Have questions about your SHOPMAX equipment? Call us at 847-327-0566 or 844-YARDMAX, email us at info@shopmax.com for a replacement.

SPECIFICATIONS

Model Number	SD1013
Motor	120V, 60Hz, 0.8Hp, 5Amp
Spindle Travel	2.36"
Chuck Capacity	5/8"
Minimum Speed	500 rpm
Maximum Speed	3,200 rpm
Swing Distance	10"
Spindle Speed	500 / 720 / 920 / 1,080 / 1,320 / 1,680 / 2,380 / 2,650 / 3,200 min ⁻¹
Table Size	7-2/3 in. x 7-2/3 in.
Table Movement	45° bevel, 360° swivel
Product Depth (in.)	18.7 in.
Product Width (in.)	11.61 in.
Product Height(in.)	28.35 in.
Weight	43.2 lbs

SYMBOLS

The rating plate on your machine may show symbols. These represent important information about the product or instructions on its use.



Indicates a potential personal injury hazard.



Read these instructions carefully.



Caution! Wear ear-muffs. The impact of noise can cause damage to hearing.



Caution! Wear a breathing mask.



Caution! Wear safety goggles. Sparks generated during working or splinters, chips and dust emitted by the device can cause loss of sight.



Caution! Do not wear long hair uncovered. Use a hair net.



Disconnect the mains plug prior to the repair, cleaning, and maintenance of the splitter!



Caution! Risk of injury from rotating parts!



Do not wear gloves.



SAFETY

SIGNAL SAFETY WORDS DEFINITION

The definitions below give the level of severity for each signal word.

DANGER

This symbol is used to indicate a hazardous situation which, if not avoided, will result in serious injury or death.

WARNING

This symbol points out safety instructions. Read and follow all instructions before attempting to operate this product. Failure to comply with these instructions could result in serious injury or death.

CAUTION

This symbol indicates a hazard, which, if not avoided, may result in minor injury, moderate injury, or property damage.

NOTE

This information makes the product easier to use.

GENERAL SAFETY RULES

Understand your Machine

Read this manual and labels affixed to the machine to understand its limitations and potential hazards.

Be thoroughly familiar with the controls and their proper operation. Know how to stop the machine and disengage the controls quickly.

Do not attempt to operate the machine until you fully understand how to properly operate and maintain the engine and how to avoid accidental injuries and/or property damage.

If the unit is to be used by someone other than original purchaser or loaned, rented, or sold, always provide this manual and any needed safety training before operation. The user can prevent and is responsible for accidents or injuries that may occur to themselves, other people, and property.

Do not force the machine. Use the correct machine for your application. The correct machine will do the job more efficiently and safer at the rate it was designed.

Personal Safety

Do not permit children to operate this machine at any time.

Keep children, pets, and other people not using the unit
www.shopmax.com

away from the work area. Be alert and shut off unit if anyone enters work area. Keep children under the watchful care of a responsible adult.

Do not operate the machine while under the influence of drugs, alcohol, or any medication that could affect your ability to use it properly.

Dress properly. Wear heavy long pants, boots, and gloves. Do not wear loose clothing, short pants, or jewelry of any kind. Secure long hair so it is above shoulder level. Keep your hair, clothing, and gloves away from moving parts. Loose clothes, jewelry, or long hair can be caught in moving parts.

Protect eyes, face, and head from objects that may be thrown from the unit. Always wear ANSI Z87.1-approved safety goggles or safety glasses with side shields when operating.

Wear appropriate hearing protection. Wear respiratory protection to avoid the risk of inhaling harmful dust.

Always keep hands and feet away from all moving parts during operation. Moving parts can cut or crush body parts.

Always keep hands and feet away from all pinch points.

Do not touch parts that might be hot from operation. Allow parts to cool before attempting to maintain, adjust, or service.

Stay alert, watch what you are doing, and use common sense when operating the machine.

Do not overreach. Do not operate the machine while barefoot or when wearing sandals or similar lightweight footwear. Wear protective footwear that will protect your feet and improve your footing on slippery surfaces. Keep proper footing and balance at all times. This enables better control of the machine in unexpected situations.

Inspect your Machine

Check your machine before starting it. Keep guards in place and in working order. Make sure all nuts, bolts, etc., are securely tightened.

Never operate the machine when it is in need of repair or is in poor mechanical condition. Replace damaged, missing, or failed parts before using it. Keep the machine in safe working condition. Regularly check to see that keys and adjusting wrenches are removed from the machine area before starting it. A wrench or a key that is left attached to a rotating part of the machine may result in personal injury. Avoid accidental starting. Be sure the motor switch is off before transporting the machine or performing any maintenance or service on the unit.

Transporting or performing maintenance or service on a machine with its switch on invites accidents. If the machine should start to vibrate abnormally, stop the motor and check immediately for the cause. Vibration is generally a warning sign of trouble.

Electric Safety

Protect yourself from electric shock. Do not plug or unplug the motor while standing in or around damp or wet ground. Do not use the unit in wet or damp areas or expose it to rain. Prevent body contact with grounded surfaces: pipes, radiators, ranges, and refrigerator enclosures. Make sure your fingers do not touch the plug's metal prongs when plugging or unplugging the unit.

Avoid inadvertent starting. Make sure that the switch is switched off when plugging the plug into an outlet.

Only use approved and appropriately identified extension cables for use outdoors. Only use cable reels in the unrolled state.

Do not use the cable for purposes for which it is not intended. Do not use the cable to pull the plug out of the outlet. Protect the cable from heat, oil and sharp edges.

Have your electric tool repaired by a qualified electrician. This electric tool conforms to the applicable safety regulations. Repairs may only be performed by an electrician using original spare parts. Otherwise accidents can occur.

Work Area & Store Area

Keep the work area orderly. Disorder in the work area can lead to accidents.

Take environmental influences into account. Do not expose electric tools to rain. Do not use electric tools in a damp or wet environment. Make sure that the work area is well-illuminated. Do not use electric tools where there is a risk of fire or explosion.

Securely store unused electric tools. Unused electric tools should be stored in a dry, elevated or closed location out of the reach of children.

Specific Safety Rules

Machine Use and Care

- Never turn the drill press on until the table is clear of all foreign objects (tools, scraps, etc.).
- Always keep hands and fingers away from the drill bit.
- Do not drill materials without a flat surface.
- Never start the drill press with the drill bit pressed against the workpiece.
- Make sure the table lock is tightened before starting the drill press.
- Never layout, assemble, or set-up any work on the table while the drill is on.
- Make sure the drill bit is securely locked in the chuck.
- Make sure the chuck key is removed from the chuck before turning power on.
- Adjust the table or depth stop to avoid drilling into the table.
- Always stop the drill before removing scrap pieces from the table.
- Use clamps or a vise to secure a workpiece to the table. This will prevent the workpiece from rotating with the drill bit.
- Do not wear gloves when operating a drill press.
- Set the drill press to the speed that is appropriate for the material being drilled.
- If any part of the drill press is missing/damaged or if the electrical components fail to perform properly, shut the power OFF and unplug the drill press. Replace missing, damaged or failed parts before resuming operation.
- Before leaving the machine, shut the power off, remove the

drill bit and clean the table.

- Take care of your tools. Keep cutting tools sharp and clean in order to be able to work better and more safely. Follow the instructions for lubrication and for tool replacement. Check the connection cable of the electric tool regularly and have it replaced by a recognized specialist when damaged. Check extension cables regularly and replace them when damaged. Keep the handle dry, clean and free of oil and grease.

Residual Risks

Despite proper use, additional residual risks cannot be completely ruled out. The following risks may arise due to the nature of the drill press:

Mechanical hazards related to:

machine parts or workpieces:

- Shape
- Relative location
- Mass and velocity (kinetic energy of elements in controlled or uncontrolled motion)
- Mechanical strength
- Crushing hazard
- Cutting or severing hazard
- Entanglement hazard
- Drawing-in or trapping hazard

Electrical hazards due to:

- Contact of persons with live parts (direct contact)
- Contact of persons with parts which have become live under

faulty conditions (indirect contact)

- Electrostatic phenomena

Hazards generated by noise, resulting in:

- Hearing loss (deafness), other physiological disorders (loss of balance, loss of awareness)
- Interference with speech communication, acoustic signals.

Hazards generated by materials and substances (and their constituent elements)

processed or used by the machinery

- Hazards from contact with or inhalation of harmful fluids and dusts
- Fire hazard

Hazards generated by neglecting ergonomic principles in machinery design related to:

- Unhealthy postures or excessive effort
- Hand-arm or foot-leg anatomy
- Local lighting
- Mental overload and underload, stress
- Human error, human behaviour
- Design, location or identification of manual controls

Combination of hazards

Unexpected start up, unexpected overrun/overspeed (or any similar malfunction) from:

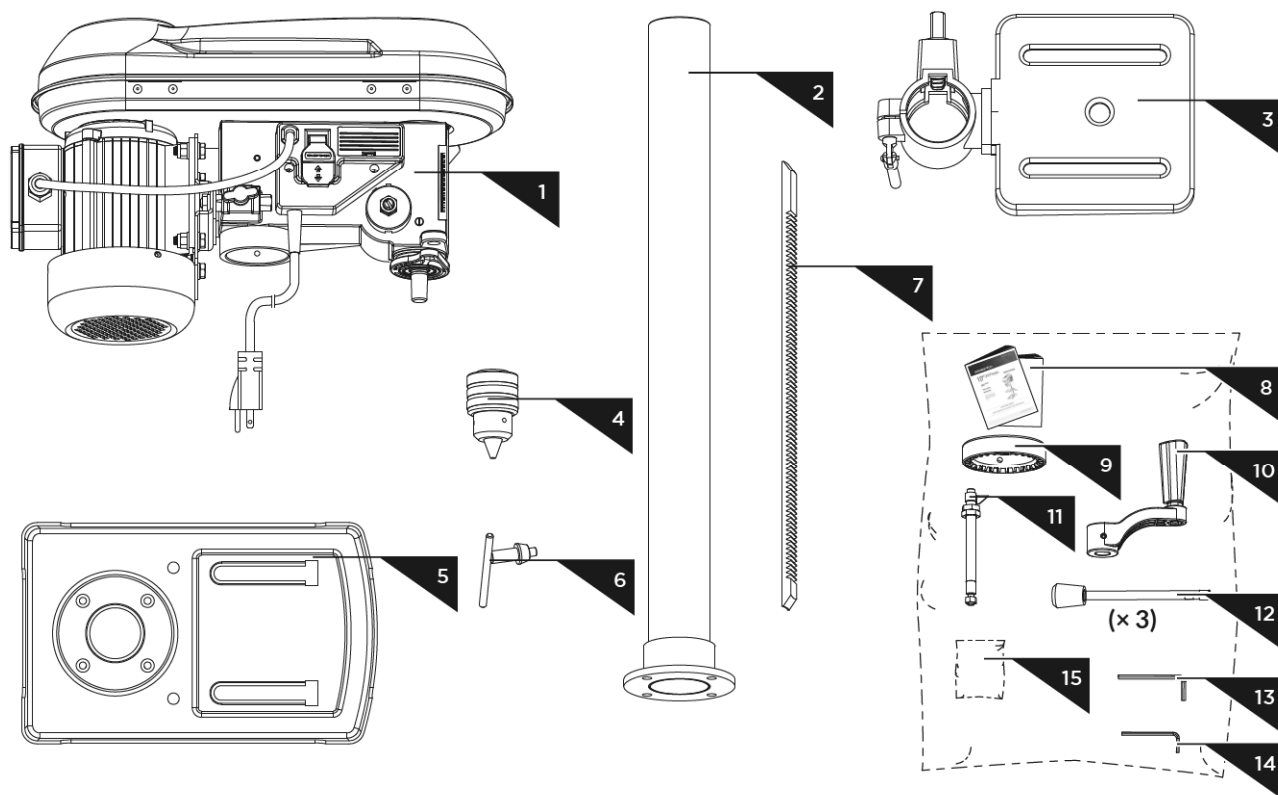
- Failure/disorder of the control system
- External influences on electrical equipment
- Errors made by the operator (due to mismatch of machinery with human

characteristics and abilities)

- Impossibility of stopping the machine in the best possible conditions
- Variations in the rotational speed of tools
- Failure of the power supply
- Failure of the control circuit
- Errors of fitting
- Break-up during operation
- Falling or ejected objects or fluids
- Loss of stability / overturning of machinery

CONTENTS SUPPLIED

The drill press comes partially assembled and is shipped in carefully packed carton. After all the parts have been removed from the carton, you should have:



No.	Description	Qty.
1	Machine Head	1
2	Column Tube	1
3	Drilling Bench	1
4	Drill Chuck	1
5	Baseplate	1
6	Drill Chuck Key	1
7	Rack	1
8	Operator's Manual	1
9	Collar	1
10	Height Crank	1

11	Depth Stop	1
12	Drill lifting arm	3
13	Allen Key, 4mm	1
14	Allen Key, 3mm	1
15	Hardware Bag	1

Hardware Bag, Included:

Part	Description	Quantity
	M8 X 20	4

ASSEMBLY

This drill press was partially assembled at the factory. To assemble your machine follow the below instructions.

Column Tube

Place the column tube on the baseplate. Bolt the column tube to the baseplate with the four screws M8×20 supplied. Tighten the screws moderately tight with an open end wrench SW 13 (not scope of delivery) so that the threads in the baseplate do not strip. (See Figure 1)

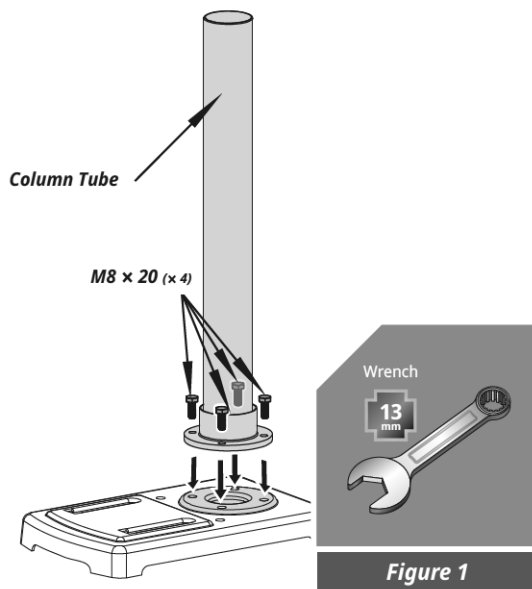


Figure 1

Drilling Bench

1. Place the drilling bench holder over the rack. The teeth of rack must mesh with the teeth of gear. (See Figure 2 illustration 1)
2. Slide the drilling bench on the column tube. Make sure the bottom bevel of rack insert into the bottom disc of the column tube. (See Figure 2 illustration 2)

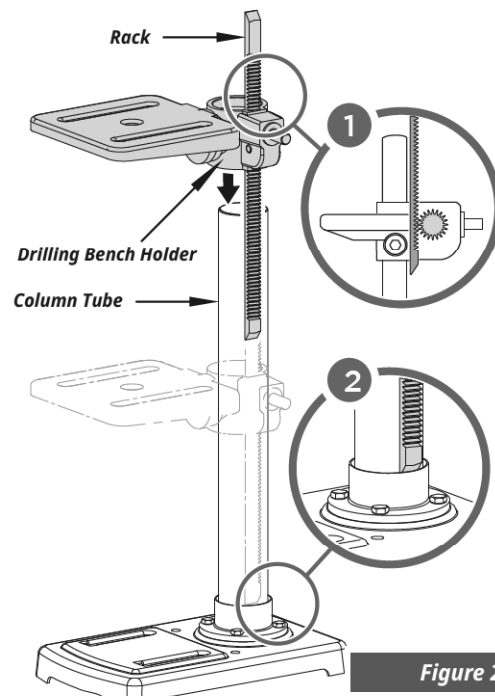


Figure 2

3. Slide the collar over the column tube with beveled edge facing down until it presses against the top of the rack. (See Figure 3 illustration 3)
4. Tight the set screw, but do not overtighten it. (See Figure 3 illustration 4)

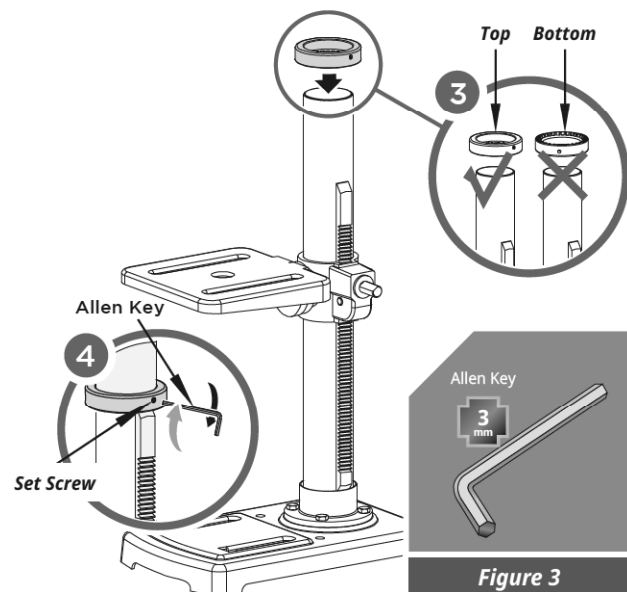


Figure 3

- Slide the height crank over the shaft on the side of drilling bench. (See Figure 4 illustration 5)
- Secure the height crank to the shaft using allen key 3mm. (See Figure 4 illustration 6)

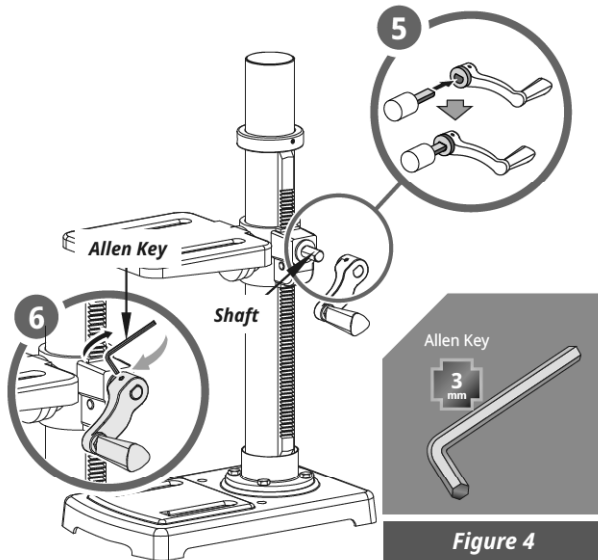


Figure 4

Machine Head

Place the machine head on the column tube and secure it with the two grub screws to the side with the allen key 4 mm. (See Figure 5)

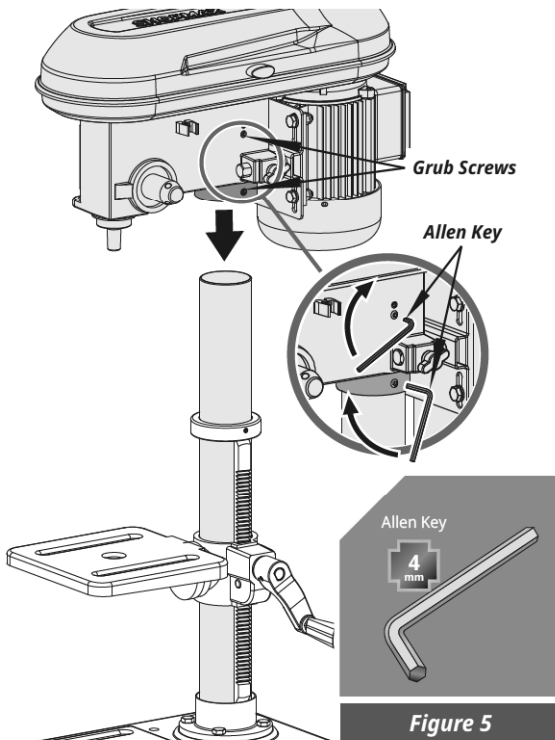


Figure 5

Drill Chuck

Using hand force, firmly push the chuck up onto the spindle. Using a rubber hammer, tap the chuck upwards once to lock the tapers together. (See Figure 6)

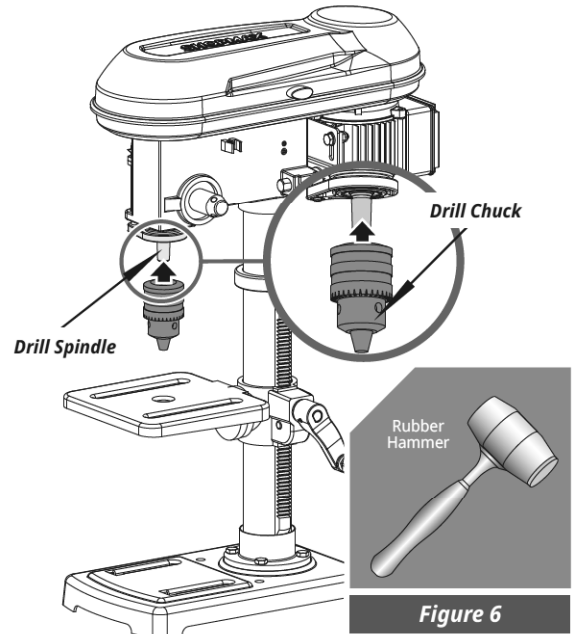


Figure 6

Drill Lifting Arms

Screw three drill lifting arms into the gear shaft holes in a clockwise direction. (See Figure 7)

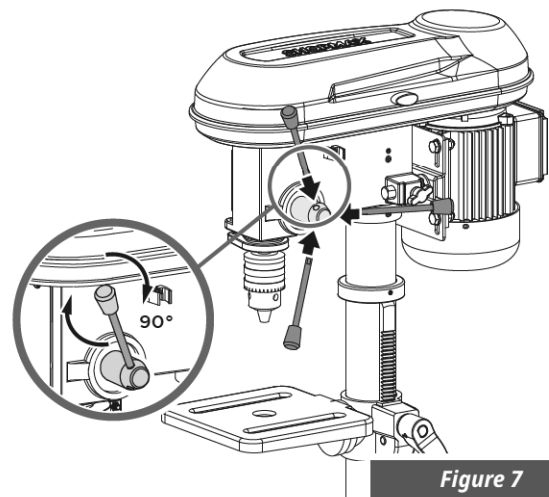
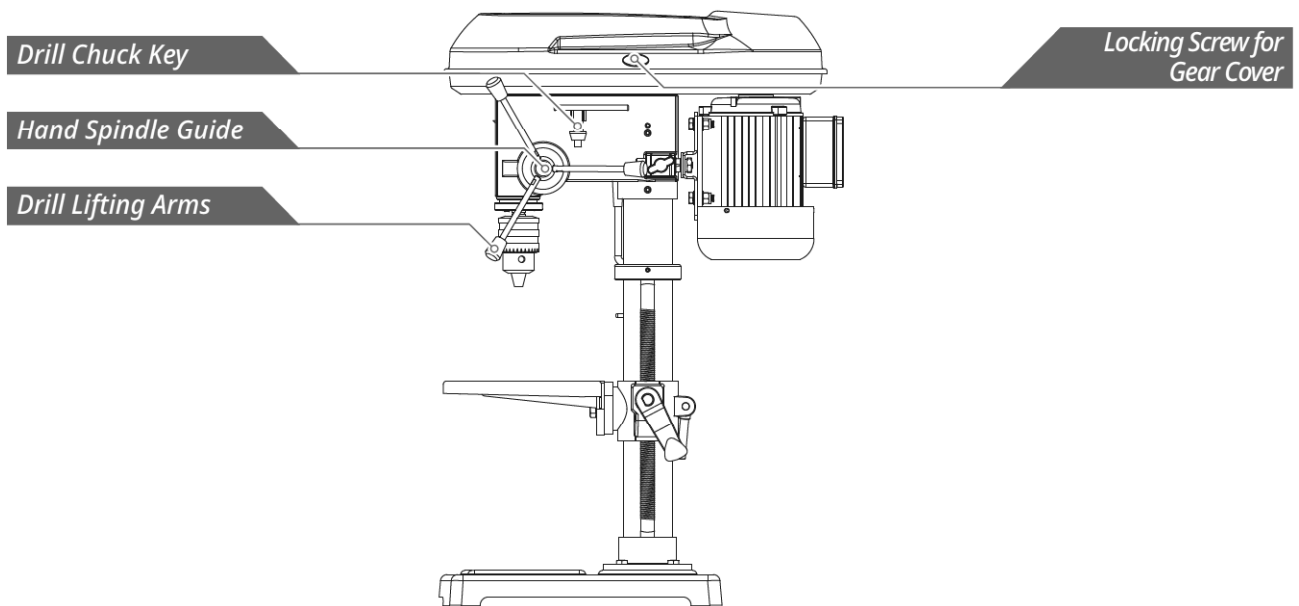
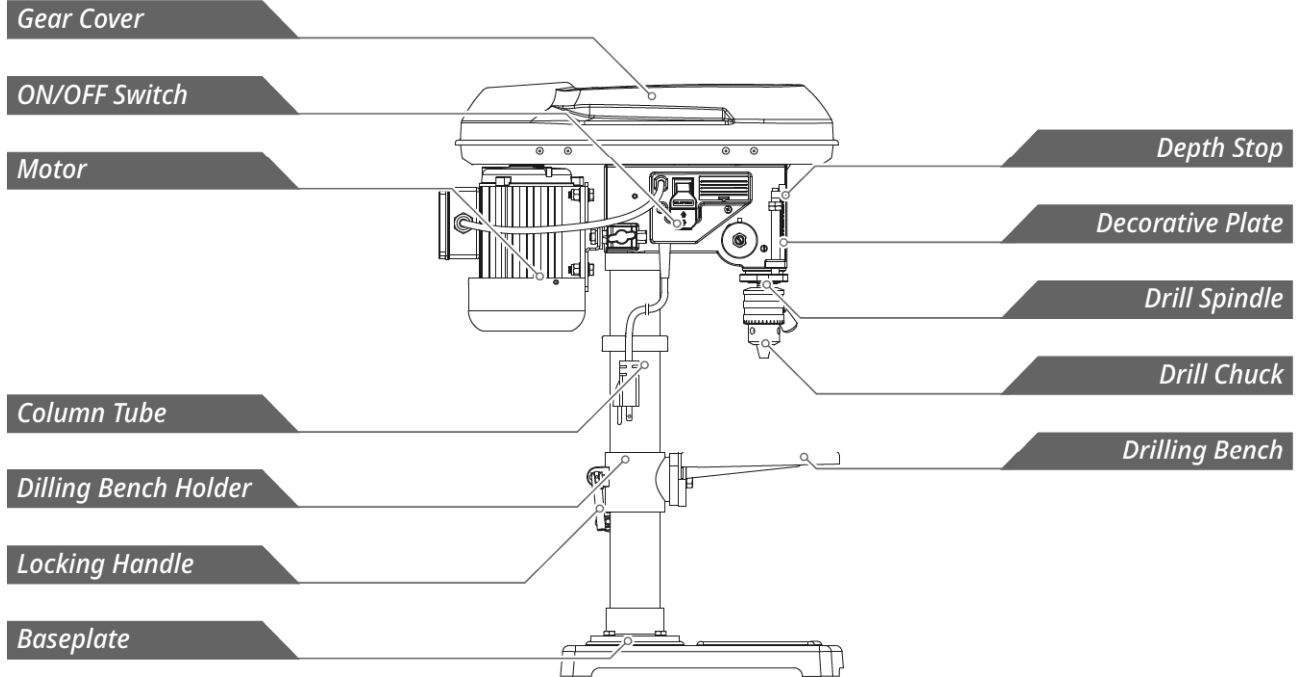


Figure 7

KNOW YOUR MACHINE

FEATURES AND CONTROLS



Know Your Machine - 

Set Up

Place the drill press on a solid flat surface. Ideally, bolt the drill press to the surface. Use the two holes in the baseplate for this.

Selecting the Speed

1. Pull the locking screw on the gear cover outward, then lift it up.
2. Open the gear cover. (See Figure 8)

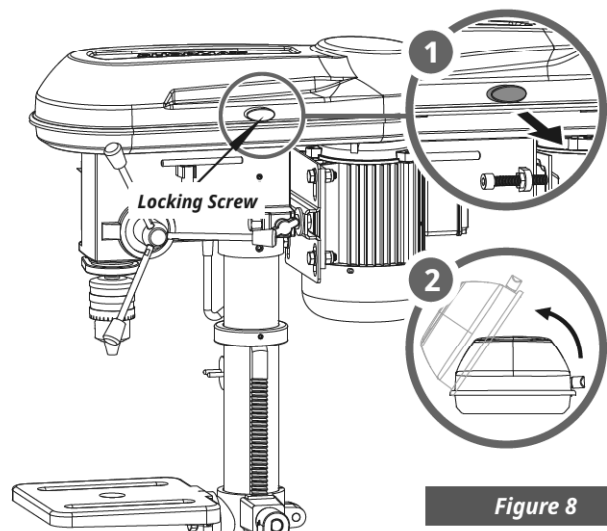


Figure 8

3. Loosen the motor tension knob on each side of the headstock.
4. Slide the motor forward a little to release the load on the V-belts. (See Figure 9)

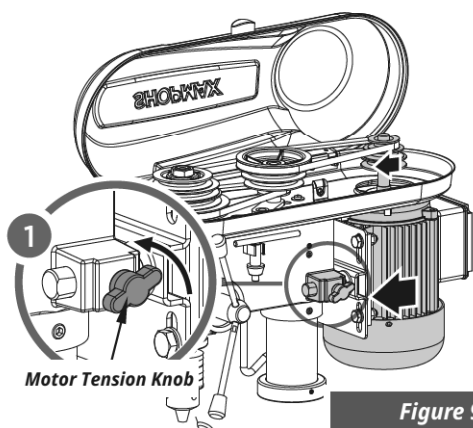
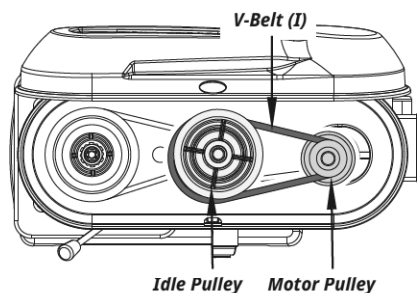
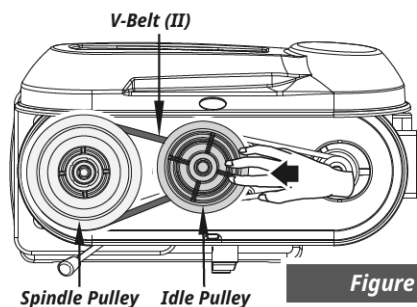


Figure 9

5. Remove the V-belt (I) between idle pulley and motor pulley first, then slide idle pulley towards the spindle pulley to release the load on the V-belt (II) between idle pulley and spindle pulley. Remove the second V-belt (II). (See Figure 10)



Idle Pulley Motor Pulley



Spindle Pulley Idle Pulley

Figure 10

6. Place both V-belts on the desired assembly to reach the specified speed.
7. Slide the motor back to tension the V-belts again. The V-belts are correctly tensioned when it gives way slightly when pressed. Deflection distance of belt is 2"-4". (See Figure 11)

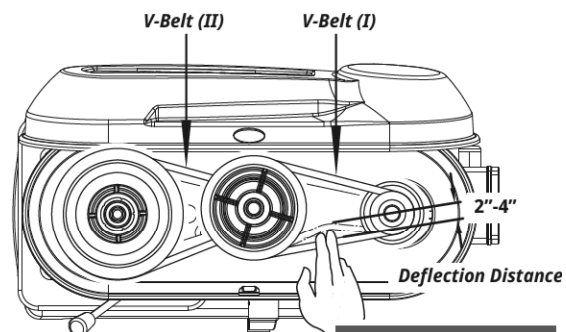
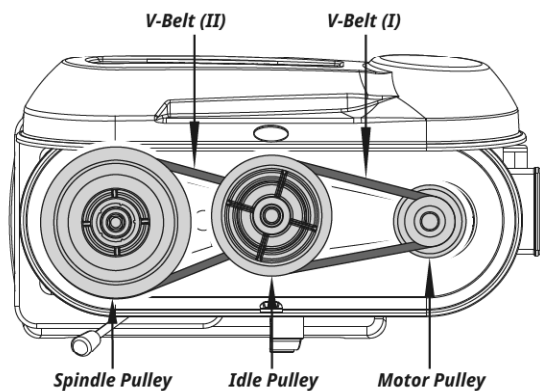


Figure 11

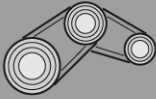

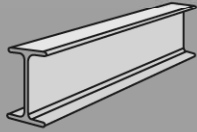
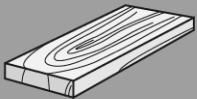



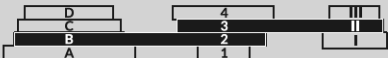

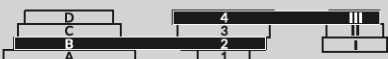



8. Lock this position with the two motor tension knobs.
9. Close the gear cover. (See Figure 12)



Spindle Pulley Idle Pulley Motor Pulley

Figure 12

Recommended speeds for different drill sizes and materials:

	 Connection	 Min ⁻¹	 [mm]	 [mm]
	D-4 / 2-I	3,200	< 3	< 4
	D-4 / 3-II	2,650	3 - 4	4 - 5
	C-3 / 2-I	2,380	4 - 5	5 - 6
	B-2 / 3-I	1,680	5 - 6	6 - 7
	C-3 / 4-III	1,320	6 - 7	7 - 8
	B-2 / 4-III	1,080	7 - 8	8 - 9
	A-1 / 2-I	920	8 - 9	9 - 10
	A-1 / 3-II	720	9 - 10	10 - 11
	A-1 / 4-III	500	> 10	> 11

Tensioning the V-belts

1. Pull out the locking screw on the gear cover, then lift it up.
2. Open the gear cover.
3. Loosen the motor tension knob on each side of the headstock.
4. Slide the motor back to tension the V-belts.
5. The V-belts are correctly tensioned when it gives way lightly when pressed. Deflection distance of belt is 2"-4".
6. Tighten the two motor tension knobs.
7. Close the gear cover. (See Figure 13)

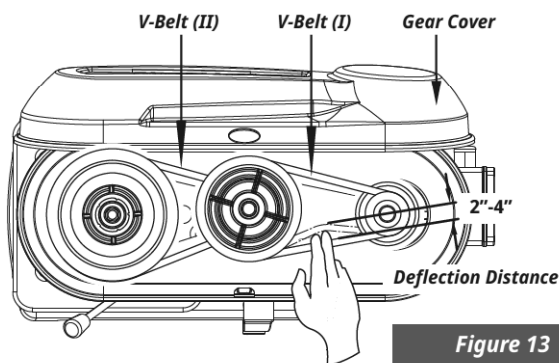


Figure 13

Adjusting the Drilling Bench

1. Release the locking handle. (See Figure 14 illustration 1)

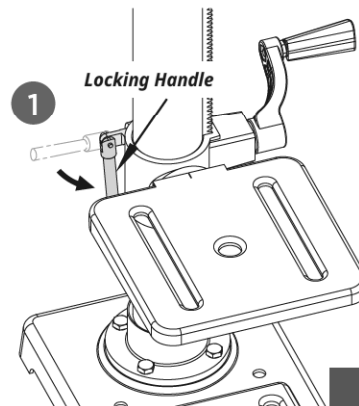


Figure 14

2. Rotate the height crank clockwise or counter clockwise to the desired height. (See Figure 15 illustration 1)
3. Pivot the drilling bench to the desired position.
4. Fasten the drilling bench again with the locking handle. (See Figure 15 illustration 2)

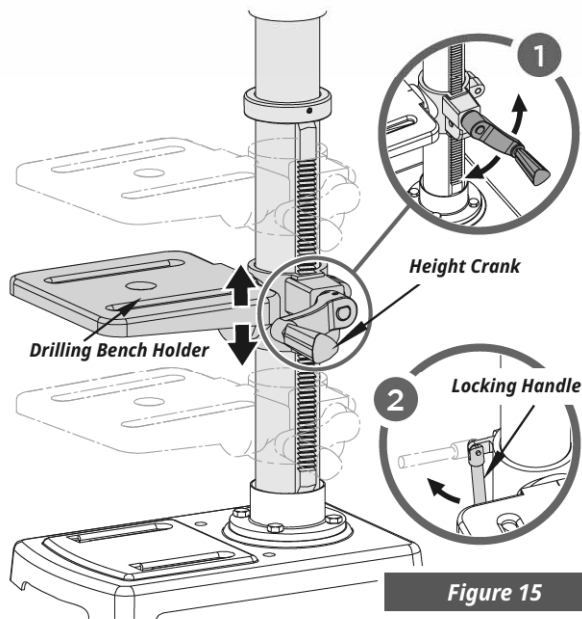


Figure 15

5. You can also adjust the tilt angle of the drilling bench. To do so, release the retaining screw under the drilling bench with an open end wrench SW 19 (not scope of delivery). Tilt the drilling bench as desired to the right or left, up to a max. of 45° and secure the drilling bench again with the retaining screw. (See Figure 16&17)

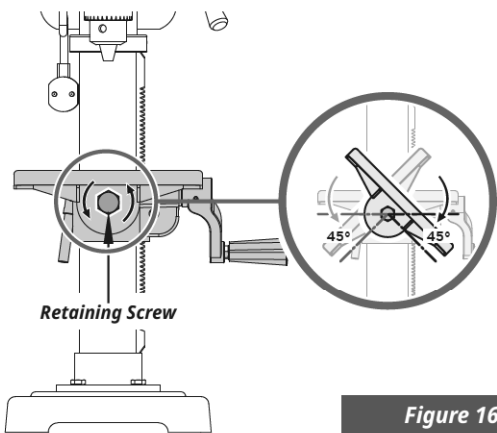


Figure 16

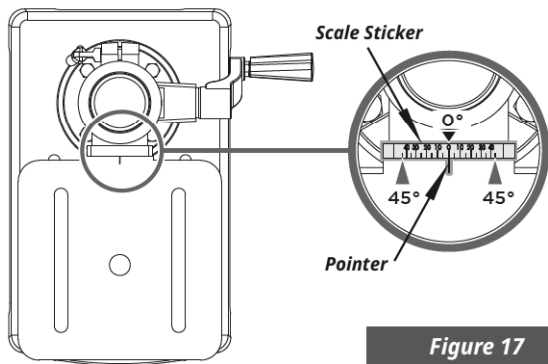


Figure 17

Changing the Drill Bit

Remove the plug from the main socket before changing the bit. This will prevent an accidental start-up.

1. Release the retaining jaws of the drill chuck with the drill chuck key .
2. Remove the bit.
3. Insert a new bit.
4. Tighten the retaining jaws of the drill chuck with the drill chuck key.
5. Check that the bit is centred. Make sure the bit is centured.
6. Attach the drill chuck key back to the key holder.

WARNING ⚠

Under no circumstances must you leave the drill chuck key inserted.

POWER ON/OFF SWITCH

See Figure 18, The drill press is equipped with a power switch that has a built-in locking feature. This feature is intended to prevent unauthorized and possible hazardous use by children and others. (See Figure 18)

1. To turn the drill press on
With the switch key inserted into the switch, lift the switch to turn ON (I).
2. To turn the drill press off
With the switch key inserted into the switch, push the switch down to turn OFF (O).
3. To lock the drill press
Place the switch in the OFF (O) position. Remove the switch key from the switch and store the key in a secure location.

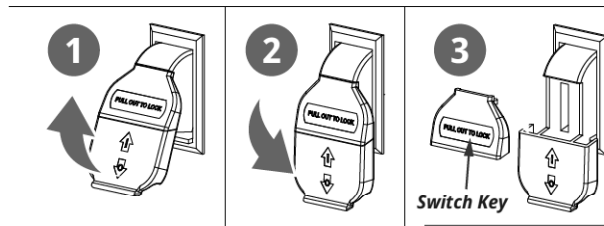
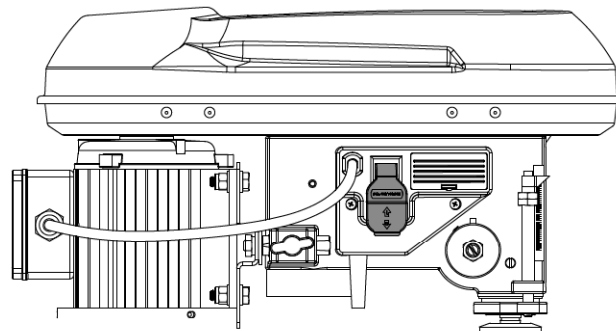


Figure 18

WARNING ⚠

ALWAYS remove the switch key when the tool is not in use and keep it in a safe place. In the event of a power failure, turn the switch OFF (O) and remove the key. This action will prevent the tool from accidentally starting when power returns.

WARNING ⚠

Always make sure the workpiece is not in contact with the bit before operating the switch to start the tool. Failure to heed this warning may cause the workpiece to be kicked back toward the operator and result in serious personal injury.

OPERATION

WARNING ⚠

Always place a piece of backup material (wood, plywood, etc.) on the table underneath the workpiece. This will prevent splintering on the underside of the workpiece as the drill bit breaks through. To keep the material from spinning out of control, it must contact the left side of the column, or be clamped (not included) to the table.

WARNING ⚠

For small workpieces that cannot be clamped to the table, use a drill press vise (not included). The vise must be clamped or bolted to the table to avoid injury.

Drilling

1. Starting the drill press.
2. Turn one of the drill lifting arms anticlockwise.
3. The drill chuck is lowered.
4. Drill into the workpiece at the appropriate feed rate and to the desired depth.
5. Be aware of any necessary chip breaking on the way to the desired depth.
6. Move the bit slowly back to the stop position.

General Drilling Guidelines - Drilling A Hole**WARNING** ⚠

To prevent the workpiece and the backup material from slipping from your hand while drilling, position the workpiece and backup material to the left side of the column. If the workpiece and the backup material are not long enough to reach the column, clamp the workpiece and backup material to the table. Failure to do this could result in personal injury.

1. Mark where you want to drill the workpiece by using a center punch or a sharp nail.
2. Before turning the drill press ON, turn the drilling lifting arms to bring the drill bit down. Line the drill bit tip up with the mark. Clamp the workpiece in place.

www.shopmax.com

3. Turn ON the drill press and pull down on the drilling lifting arms with the appropriate force needed to allow the drill bit to drill the material.

NOTE ⓘ

Feeding too slowly might cause the drill bit to turn in the chuck. Feeding too rapidly might stop the motor, cause the belt to slip, force the workpiece loose, or break the drill bit. Practice with scrap material to get the feel of the machine before attempting to do any drilling operation.

Drilling Metal

- Use metal-piercing twist drill bits.
- It is always necessary to lubricate the tip of the drill with oil to prevent overheating of the drill bit.
- All metal workpieces should be clamped down securely. Any tilting, twisting, or shifting causes a rough drill hole, and increases the potential of drill bit breakage.
- Never hold a metal workpiece with your bare hands. The cutting edge of the drill bit may seize the workpiece and throw it, causing serious injury. The drill bit will break if the metal piece suddenly hits the column.
- If the metal is flat, clamp a piece of wood under it to prevent turning. If it cannot be laid flat on the table, then it should be blocked and clamped.

Drilling Wood

- Brad point bits are preferred. Metal piercing twist bits may be used on wood.
- Do not use auger bits. Auger bits turn so rapidly that they can lift the workpiece off of the table and whirl it around.
- Always protect the drill bit by positioning the table so that the drill bit will enter the center hole when drilling through the workpiece.
- To prevent splintering, feed the drill bit slowly right as the bit is about to cut through to the backside of the workpiece.
- To reduce splintering and protect the point of the bit, use scrap wood as a backing or a base block under the workpiece.

MAINTENANCE

WARNING ⚠

For your safety, turn the switch off and remove the plug from the power supply. Wait until the rotating tool stands still. All protection and safety devices must be immediately re-installed once the repair and maintenance work is completed.

CAUTION ⚠

All servicing of the drill press should be performed by a qualified service technician.

Servicing

Pull the mains plug before any adjustments, maintenance or repair.

Have any work on the device that is not described in this instruction guide performed by a professional. Only use original parts. Allow the device to cool off before any maintenance or cleaning is undertaken.

There is a risk of burning!

Always check the device before using it for obvious defects such as loose, worn or damaged parts, correct the positioning of screws or other parts. Exchange the damaged parts.

The ball bearings in the spindle and the V-belt pulley assembly are greased and permanently sealed. Pull the spindle down and oil the spindle sleeve moderately every three months.

Lubricate the table bracket and locking knobs if they become difficult to use.

Cleaning

Do not use any cleaning agents or solvents. Chemical substances can etch the plastic parts of the device. Never clean the device under running water.

- Thoroughly clean the device after every use.
- Clean the ventilation openings and the surface of the device with a soft brush or cloth.
- Remove chips, dust and dirt with a vacuum cleaner if necessary.
- Lubricate moving parts regularly.
- Vacuum sawdust or metal shavings that accumulate in and on the motor, pulley housing, table, and work surface.
- Apply a light coat of paste wax to the column and table to help keep these surfaces clean and rust-free.
- Do not allow lubricants to come into contact with switches, V-belts, pulleys and drill lifting arms.

TRANSPORT

Unplug the machine from the mains during transport.

The machine must only be lifted and transported on its belt housing. Never lift the machine at the safety devices, the adjusting levers, or the drill chuck.

STORAGE

DANGER ⚠

Store the drill press a way it cannot be started by unauthorised persons and that nobody can be injured.

CAUTION ⚠

Do not store the drill press unprotected outdoors or in a moist environment.

Store the device and its accessories in a dark, dry and frost-proof place that is inaccessible to children. The optimum storage temperature is between 5 and 30°C.

Store the electrical tool in its original packaging.

Cover the electrical tool in order to protect it from dust and moisture.

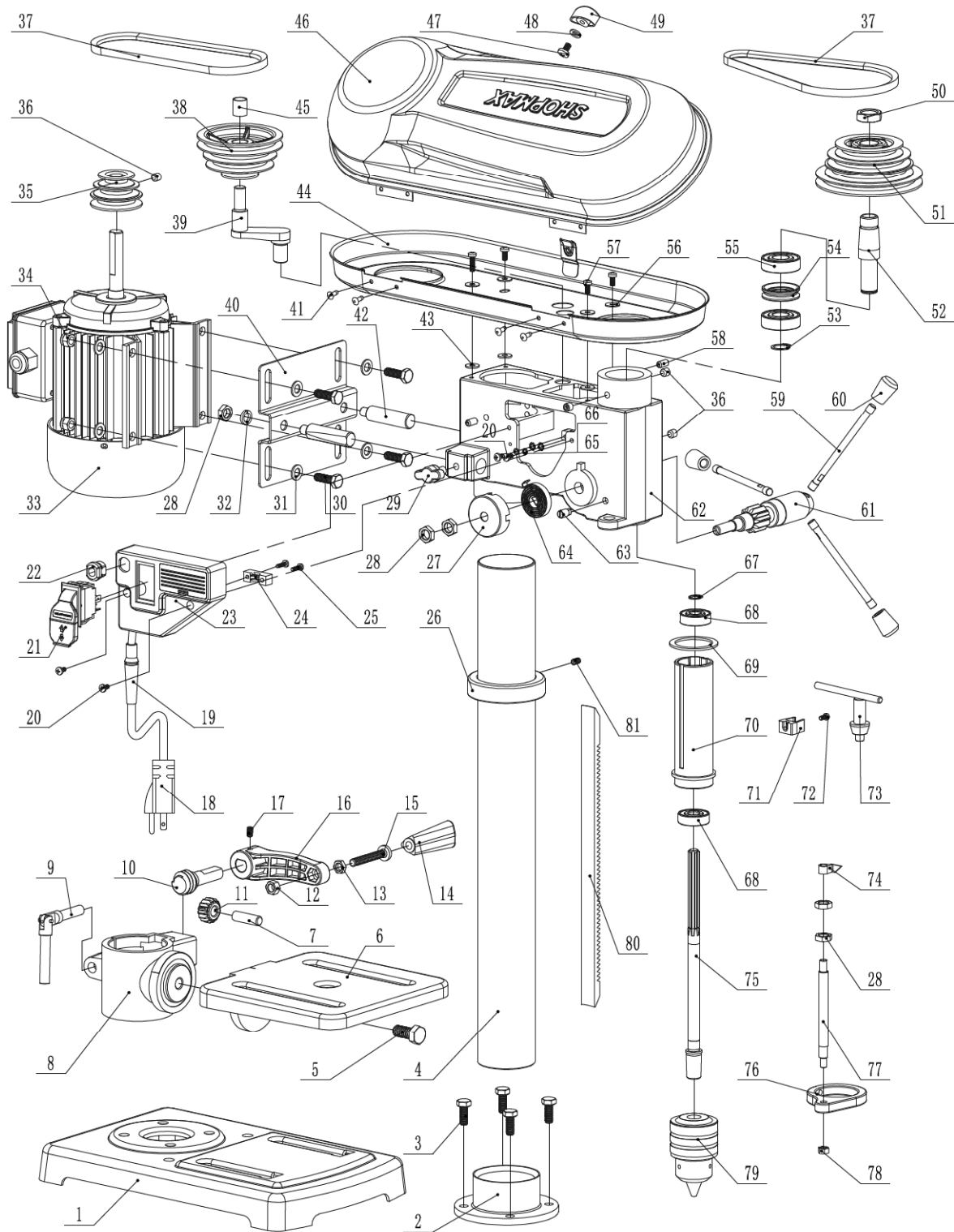
Store the operating manual with the electrical tool.

TROUBLESHOOTING

Problem	Cause	Remedy
Device doesn't start.	<ol style="list-style-type: none"> 1. No mains voltage. Main circuit breaker is tripped. 2. Switch doesn't work. 3. Motor faulty. 	<ol style="list-style-type: none"> 1. Check the socket, mains supply cable, cord, mains plug; if necessary, have them repaired the main fuse. 2. Take to a qualified service technician. Check and replace the switch. 3. Take to a qualified service technician. Check and replace the motor.
No Motor output turns off automatically	<ol style="list-style-type: none"> 1. Motor not fixed in place. 2. Bit not centrally clamped. 	<ol style="list-style-type: none"> 1. Check the tension of the V-belts and tighten the clamping screw. 2. Check the bit in the drill chuck.
Loud squeaking noise.	<ol style="list-style-type: none"> 1. Incorrect belt tension 2. Dry spindle 3. Loosed spindle pulley 4. Loosed motor pulley 	<ol style="list-style-type: none"> 1. Adjust the belt tension 2. Lubricate the spindle 3. Tighten the retaining nut on the pulley insert 4. Tighten the set screw on the side of the motor pulley
The drill bit burns or smokes	<ol style="list-style-type: none"> 1. Drilling at the incorrect speed 2. The wood chips are not coming out of the hole 3. Dull drill bit 4. Feeding the workpiece too slowly 5. Not lubricated 	<ol style="list-style-type: none"> 1. Change the speed 2. Retract the drill bit frequently to clear the chips 3. Resharpener or replace the drill bit 4. Feed fast enough to cut the workpiece 5. Lubricate the drill bit with cutting oil
Excessive drill run out or wobble; drilled hole is not round	<ol style="list-style-type: none"> 1. Bent drill bit 2. Bit improperly installed in the chuck 3. Worn spindle bearings 4. Lengths of cutting flutes or angles not appropriate for the hardness of the wood grain 5. Chuck not properly installed 	<ol style="list-style-type: none"> 1. Replace the drill bit 2. Reinstall the bit. 3. Replace the bearing. Take the press to a qualified service technician 4. Resharpener the drill bit correctly or replace with the appropriate type. 5. Reinstall the chuck.

Drill bit binds in the workpiece	<ol style="list-style-type: none"> 1. The workpiece is pinching the bit 2. Excessive feed pressure 	<ol style="list-style-type: none"> 1. Support or clamp the workpiece. 2. Feed more slowly.
Spindle returns too slowly or too quickly	Coil spring has improper tension	Adjust the coil spring tension
Chuck falls off spindle	Dirt, grease, or oil on the tapered surface on the spindle or in the chuck	<ol style="list-style-type: none"> 1. Check the tension of the V-belts and tighten the clamping screw. 2. Check the bit in the drill chuck.
Motor will not run	<ol style="list-style-type: none"> 1. Defective or broken switch 2. Defective or damaged power cord 3. Open circuit, loose connections, or burned out motor 4. Low voltage 	<ol style="list-style-type: none"> 1. Take to a qualified service technician 2. Take to a qualified service technician 3. Take to a qualified service technician 4. Check the power line for the proper voltage. Use another circuit or have a qualified
Motor stalls	<ol style="list-style-type: none"> 1. Short circuit in motor 2. Incorrect fuses or circuit breakers 3. Overloaded circuit 4. Low Voltage 	<ol style="list-style-type: none"> 1. Take to a qualified service technician 2. Replace with correct fuse or circuit breaker for the circuit 3. Turn off other machines and retry 4. Check the power line for the proper voltage. Use another circuit or have a qualified electrician upgrade the service.

PARTS DIAGRAM



Troubleshooting - 

PARTS LIST

No.	Description	Qty.	No.	Description	Qty.
1	Base	1	31	Washer 8	8
2	Column Base	1	32	Spring Washer 10	2
3	Bolt 8.8 M8x20	4	33	Motor	1
4	Column	1	34	Lock Nut M8	4
5	Bolt 8.8 12x25	1	35	Motor Pulley	1
6	Drilling Bench	1	36	Screw M8x8	4
7	Gear pin	1	37	V-Belt	2
8	Bracket	1	38	Idle Gear	1
9	Lock Handle	1	39	Idle Gear Axle	1
10	Worm	1	40	Motor connection board	1
11	Helical gear	1	41	Rivet 4x8	4
12	Nut M8	1	42	Motor strut	2
13	Thin Nut M8	1	43	Spacer	4
14	Crank handle	1	44	Bottom Belt Cover	1
15	Screw M8x50	1	45	Copper composite sleeve	1
16	Rocker	1	46	Upper Belt Cover	1
17	Screw M6x10	3	47	Screw M6x10	1
18	Plug Cable (US)	1	48	Washer 6	1
19	Cable Sheath	1	49	lock button (021C)	1
20	Screw M4x8	4	50	Left hand nut	1
21	Switch Panel 430C	1	51	Spindle Pulley	1
22	Cable Gland 6P-4	1	52	Spline Housing	1
23	Panel de interruptores	1	53	Circlip 17	1
24	Cable Clamp	1	54	Bearing spacer	1
25	Screw ST3.5x9.5	2	55	Bearing 6203-2Z	2
26	Rack Hoop	1	56	Big Washer 5	4
27	Spring Shield	1	57	Screw M5x10	4
28	Thin Nut M10	6	58	Elastic Pin 6x16	2
29	lock button	2	59	Handle Lever	3
30	Bolt M8x25	4	60	Handle Knob	3

No.	Description	Qty.
61	Gear Shaft	1
62	Main Case	1
63	Anti-Rotation Screw	1
64	Coil Spring	1
65	Spring Washer 4	2
66	Lock Washer 4	2
67	Circlip 11	1
68	Bearing 6201-2Z	2
69	Cushion	1
70	Spindle Tube	1
71	Key Clamp	1
72	Screw M4x12	1
73	Drill Chuck Key	1
74	Pointer (Red)	1
75	Spindle	1
76	Clamping hoop	1
77	Locating Rod	1
78	Nut M6	1
79	Drill Chuck (JT33)	1
80	Rack	1
81	Screw M6x10	1

WARRANTY

WARRANTY INFO

The warranty set forth below is given by YARDMAX® with respect to new merchandise purchased and used in the United States and/or its territories and possessions. YARDMAX warrants its product, subject to limitations and exclusions below, against defects in material and workmanship for a period of two (2) years commencing on the date of original purchase, and will, at its discretion, repair or replace, free of charge to the customer, any part found to be defective in material or workmanship when the product is solely used for residential purposes during the two (2) year period.

LIMITATIONS AND EXCLUSIONS

YARDMAX's warranty does not cover normal wear and tear, neglect, accident, improper assembly, improper maintenance, modification, alteration, improper repair, use of parts not approved by YARDMAX or product damage due to misuse by the customer. Replacement of products or parts due to normal wear and tear is the responsibility of the customer. Proof of original purchase is required. The warranty is non-transferrable. This limited warranty shall only apply if the product has been assembled, operated, and maintained in accordance with Owner's Manual supplied with the product. No Implied Warranty, including any implied warranty of merchantability or fitness for a particular purpose, applies after the expiration of the applicable period of express written warranty provided above. No other express warranty, whether written or oral, except mentioned herein, given by any person or entity, including a dealer or retailer, with respect to any product, shall bind YARDMAX. The provisions as set forth herein in this warranty provide the sole and exclusive remedy arising from the sale. YARDMAX shall not be liable for incidental or consequential damages to the extent allowable by law. The customer may have other rights not disclosed herein; and they may vary from state to state.

Have questions about your SHOPMAX equipment?

Call us at 847-327-0566 or 844-YARDMAX, email us at info@shopmax.com



Your Tools. Your Shop.™

REV 1: 02/24

