

WARRANTY

WHAT IS COVERED

We warrant the product to be free from defects in material or workmanship for a period of one year from the date of original retail purchase. The word "defects" is defined as imperfections that impair the use of the product. Defects resulting from misuse, abuse or customer negligence will void this warranty.

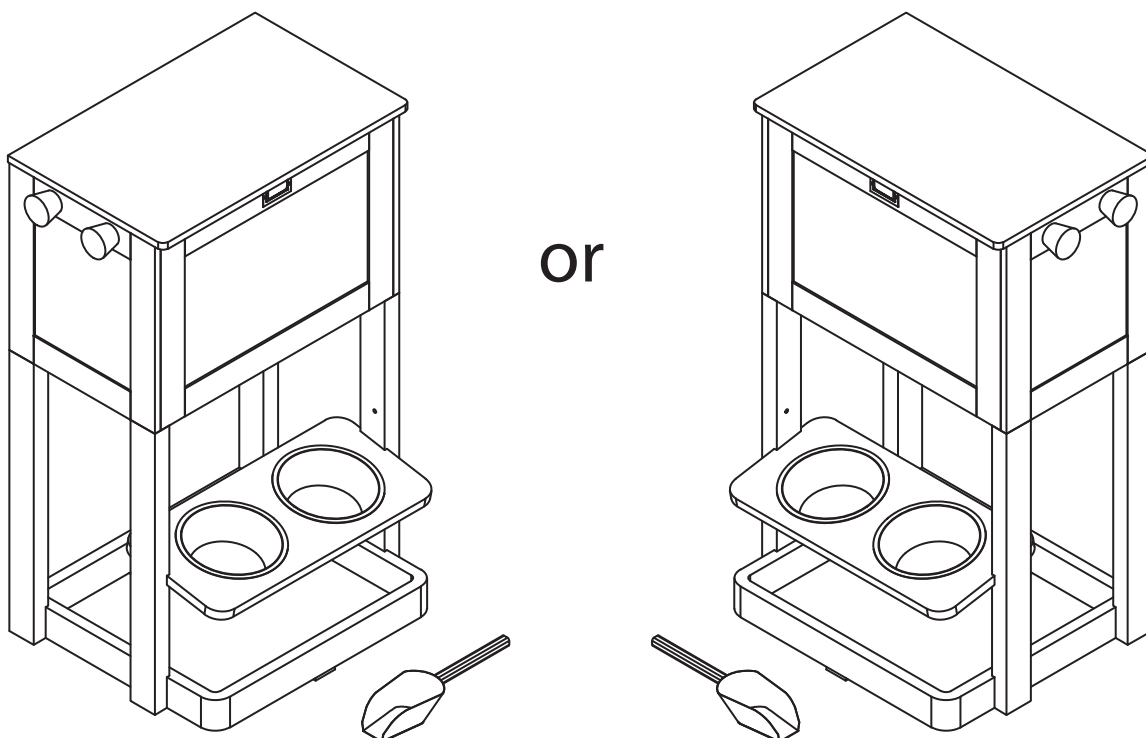
WHAT IS NOT COVERED

This warranty does not cover commercial use, hardware, acts of nature, fire, freezing and abusive use. This warranty does not cover defects due to alteration or accidents. This warranty does not cover scratches, scuffs or other cosmetic damages that may result from normal use of the product.

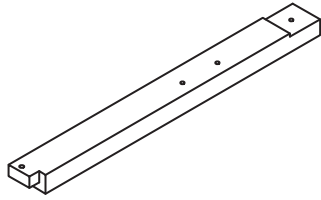
CARE INSTRUCTIONS

Thank you for choosing ZOOVILLAS™ PARLOR PET FEEDER STATION. With a little care and maintenance, the ZOOVILLAS™ PARLOR PET FEEDER STATION will provide you with comfort and enjoyment for many years to come!

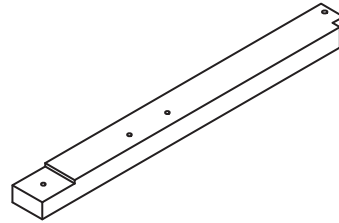
- To clean panels, use clean water on a damp cloth.
- When assembling ZOOVILLAS™ PARLOR PET FEEDER STATION, please handle all panels and/or hardware with care to avoid any possibilities of damages and/or injuries.
- Screw caps are optional for aesthetic purposes.



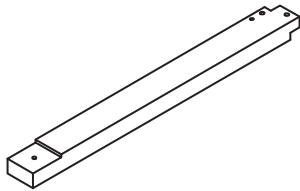
NOTE: Please read all instructions carefully before starting assembly. Also, we recommend that the unit is fully assembled on a level surface. Two people are recommended to assemble this product. DO NOT over torque screws and bolts.



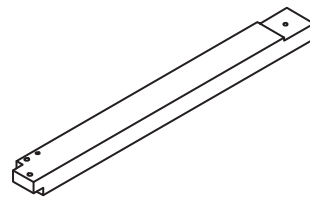
1 FRONT LEFT LEG X 1PC



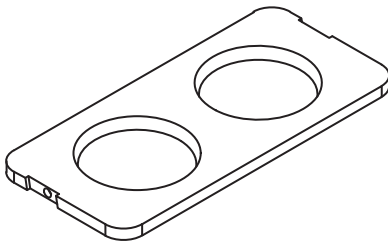
2 FRONT RIGHT LEG X 1PC



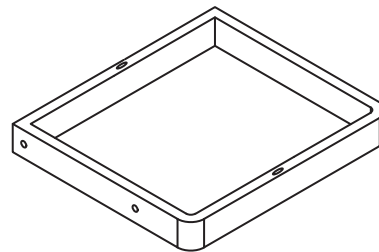
3 REAR RIGHT LEG X 1PC



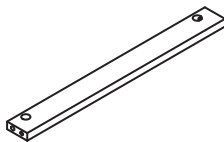
4 REAR LEFT LEG X 1PC



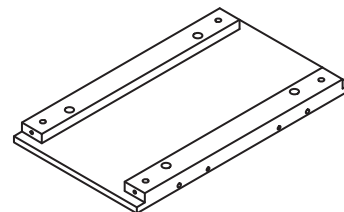
5 TRAY X 1PC



6 BASE X 1PC

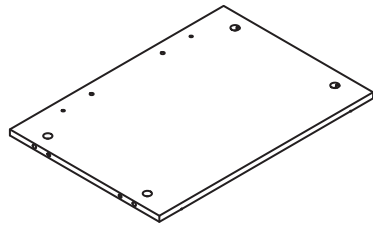


7 CROSSBAR X 1PC



8 BOX BOTTOM X 1PC

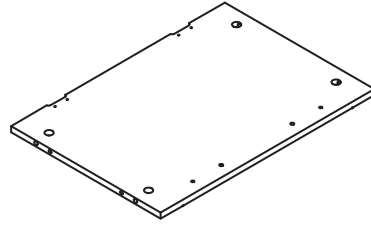
NOTE: Please read all instructions carefully before starting a
Also, we recommend that the unit is fully assembled on a level
Two people are recommended to assemble this product.



9

BOX FRONT

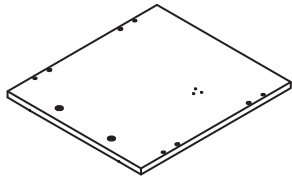
X 1PC



10

BOX BACK

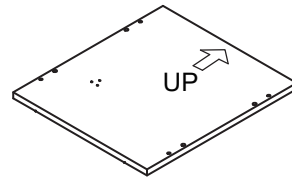
X 1PC



11

BOX SIDE WITH HOOKS

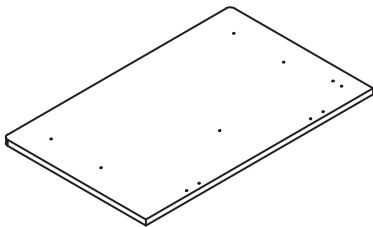
X 1PC



12

BOX SIDE

X 1PC



13


LID

X 1PC

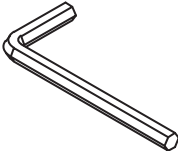
NOTE: Please read all instructions carefully before starting a
Also, we recommend that the unit is fully assembled on a level
Two people are recommended to assemble this product.
DO NOT over torque screws and bolts.

A  WOODEN DOWEL 6X30 **14+1 PCS**

B  LOCKING BOLT 6X35 **14+1 PCS**

C  CAM 15X10 **14+1 PCS**

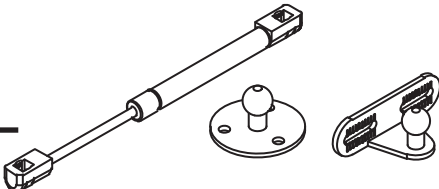
D  BOLT M6X35 **4PCS**

E  ALLEN KEY 4MM **1PC**


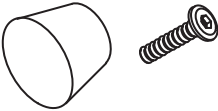
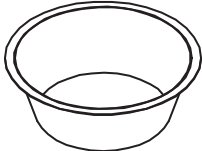
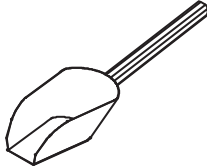

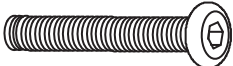
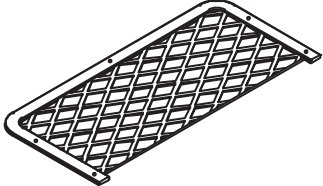


F  LABEL HOLDER **1 PC**

G  HINGES **2 PCS**

H  SCREW 3X10 **10+1 PCS**

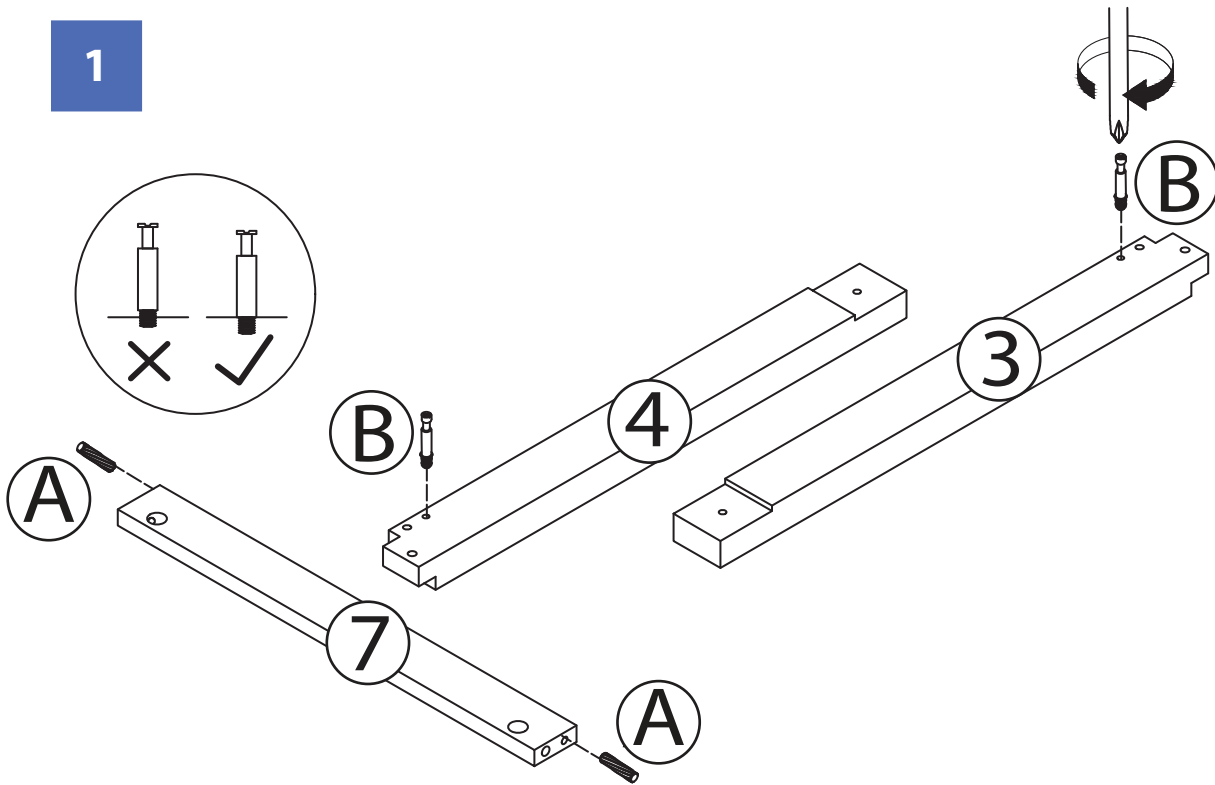
I  PISTON **1 set**

NOTE: Please read all instructions carefully before starting assembly.
Also, we recommend that the unit is fully assembled on a level surface.
Two people are recommended to assemble this product.
DO NOT over torque screws and bolts.

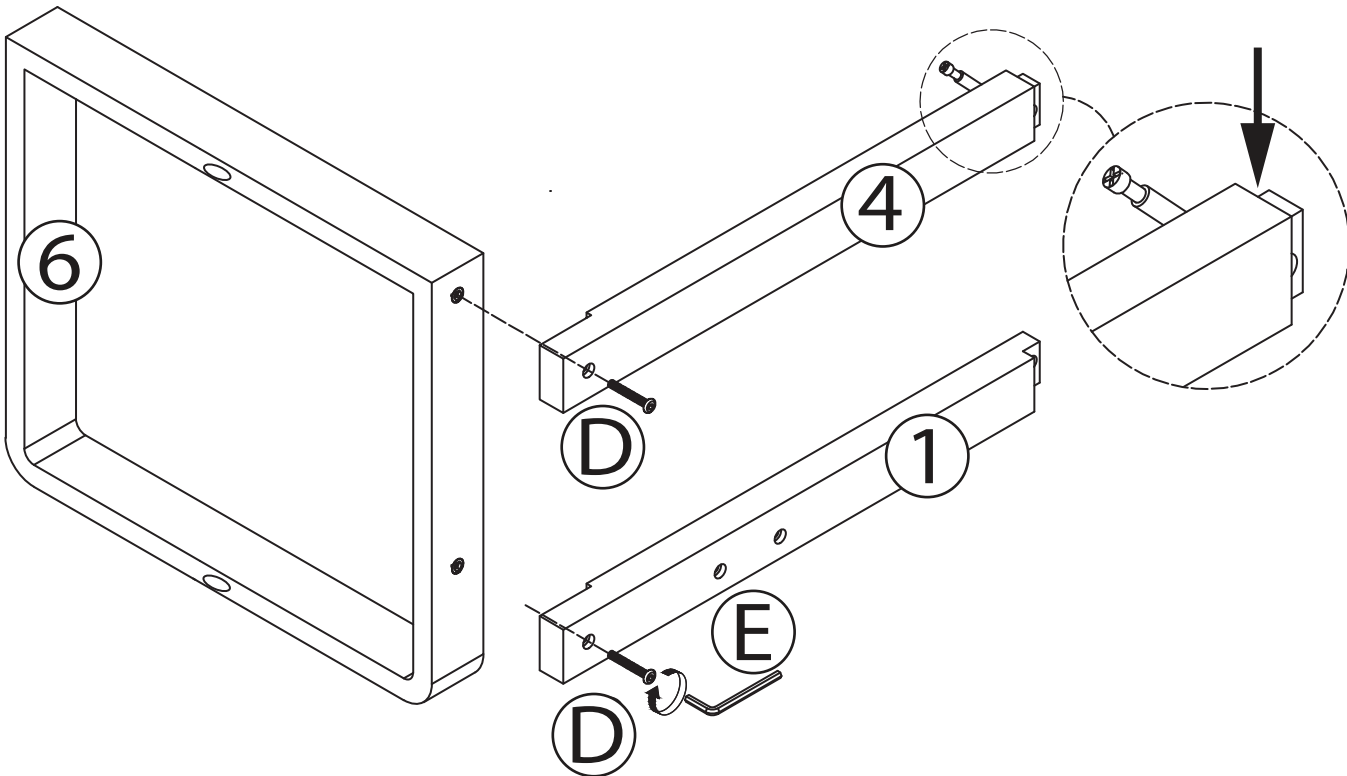
J		SCREW 4X10	5+1PCS
K		HOOK & BOLT M6X25	2SETS
L		BOWL	2 PCS
M		SCOOP	1PC
N		WOOD CAP STICKERS	8+2 PCS
O		BOLT M6X40	6 PCS
P		NET	1 PC
Q		SCREW 4X16	5PCS
R		BARREL NUT 10X10	4 PCS

NOTE: Please read all instructions carefully before starting assembly.
Also, we recommend that the unit is fully assembled on a level surface.
Two people are recommended to assemble this product.
DO NOT over torque screws and bolts.

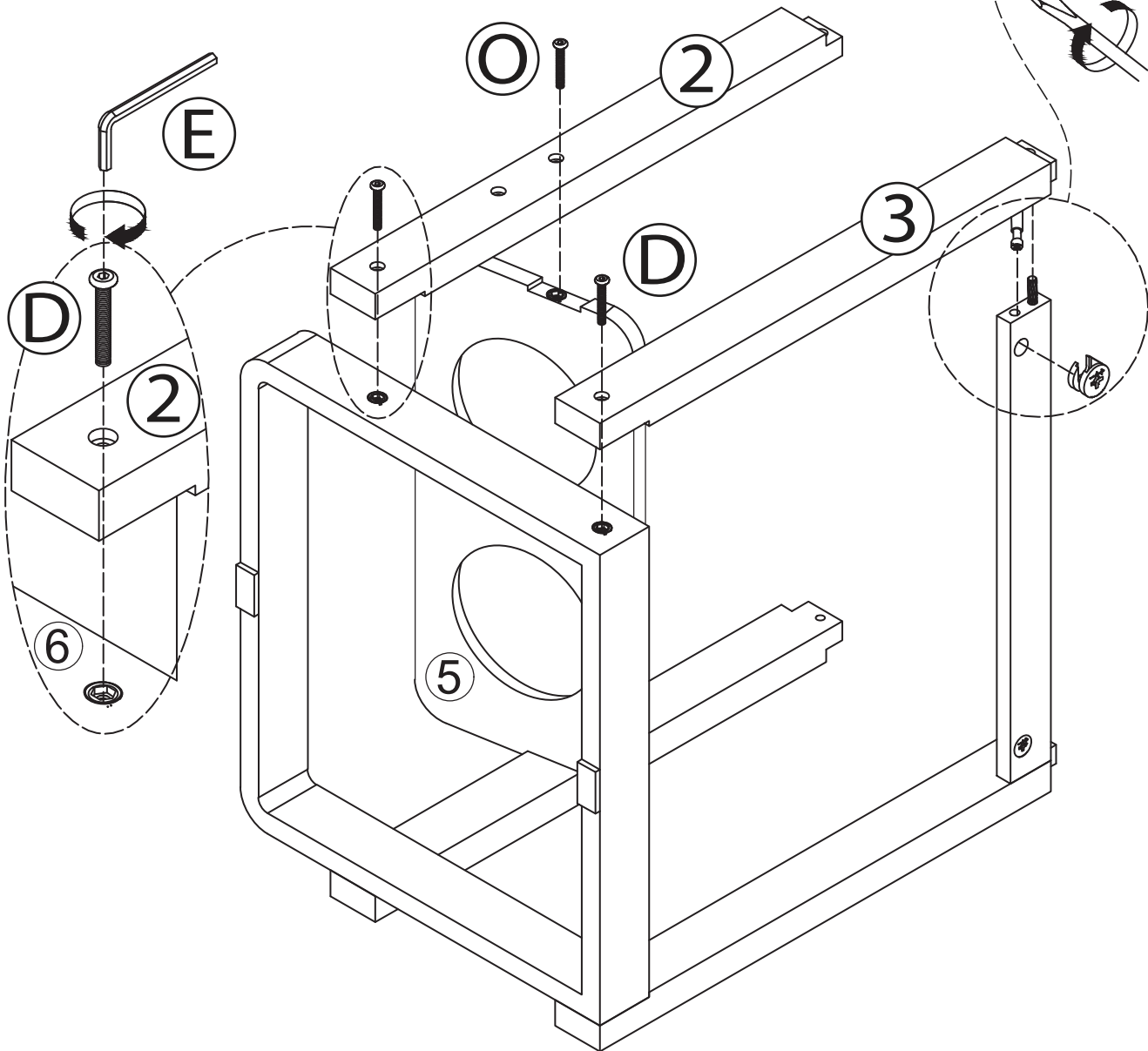
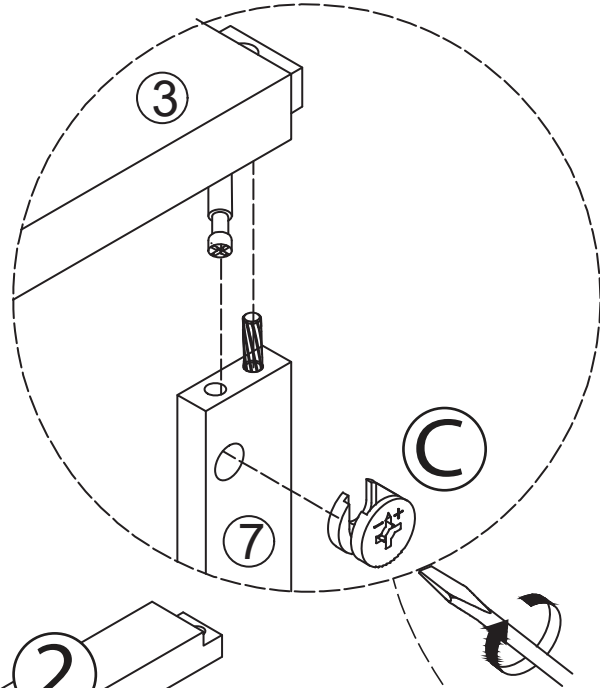
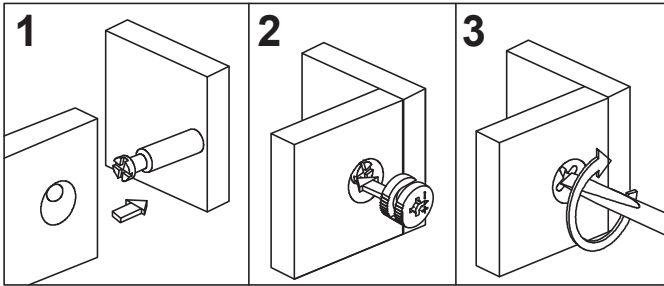
1



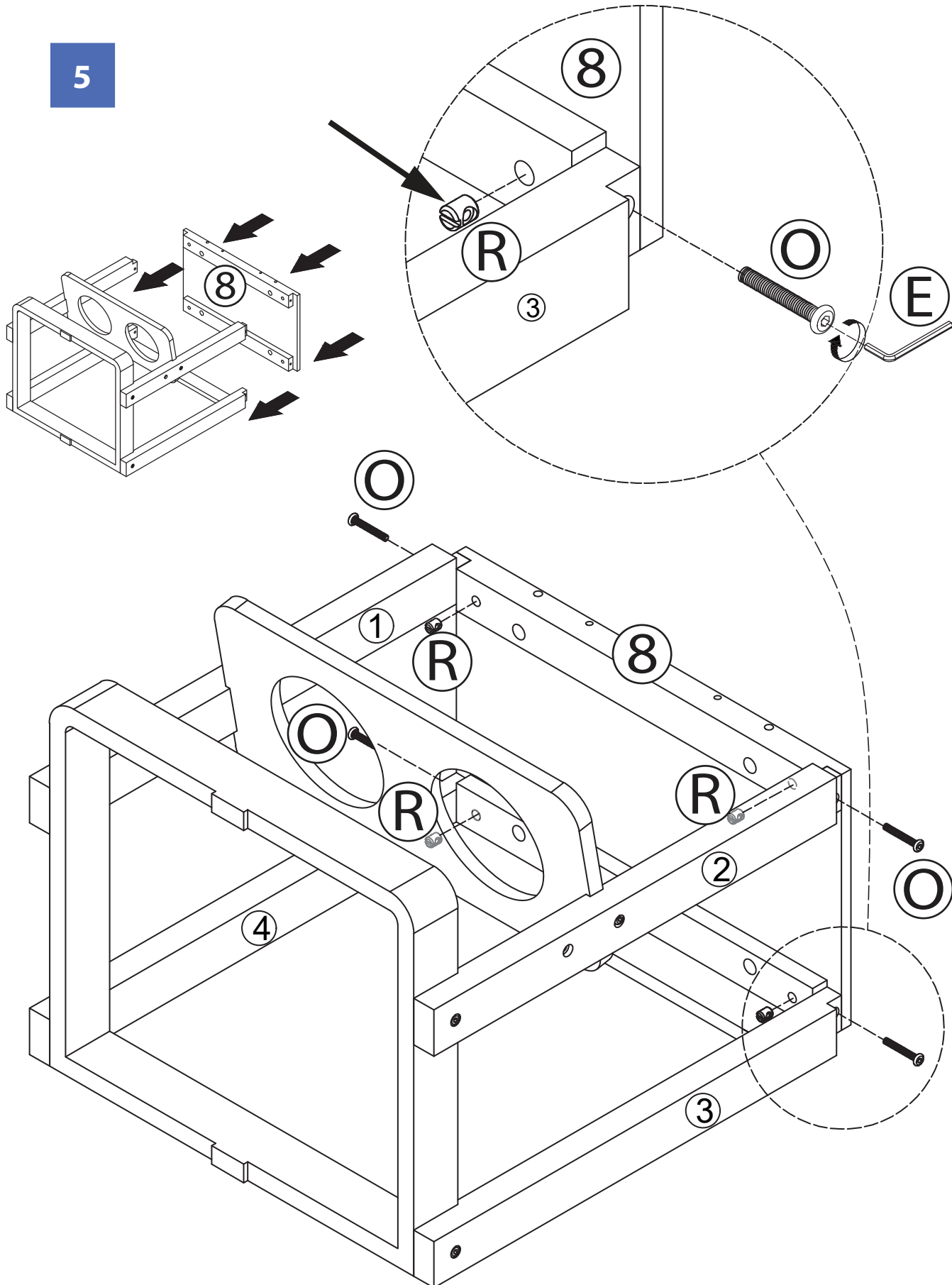
2



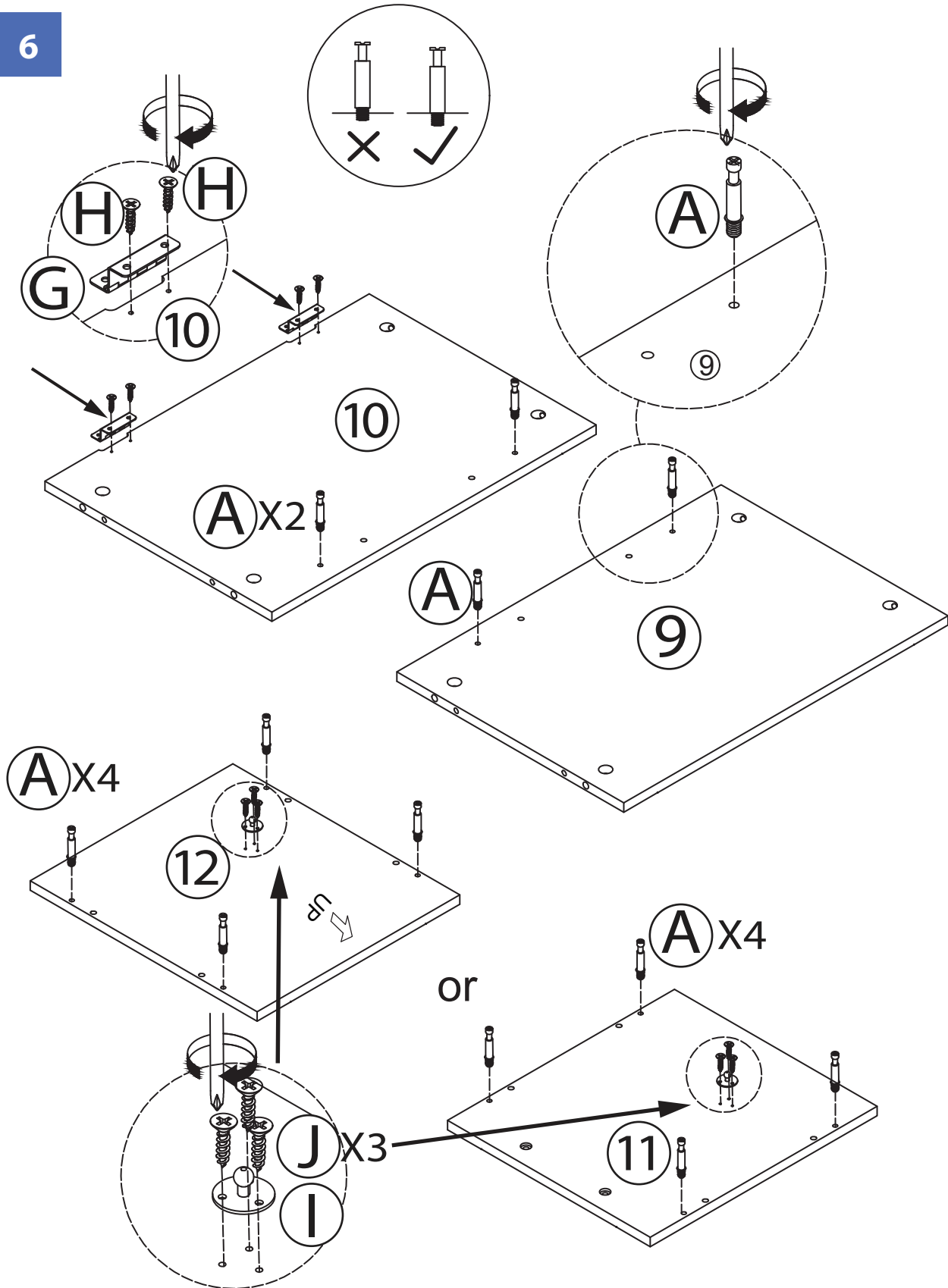
4



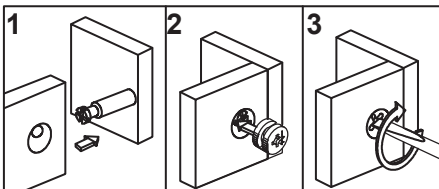
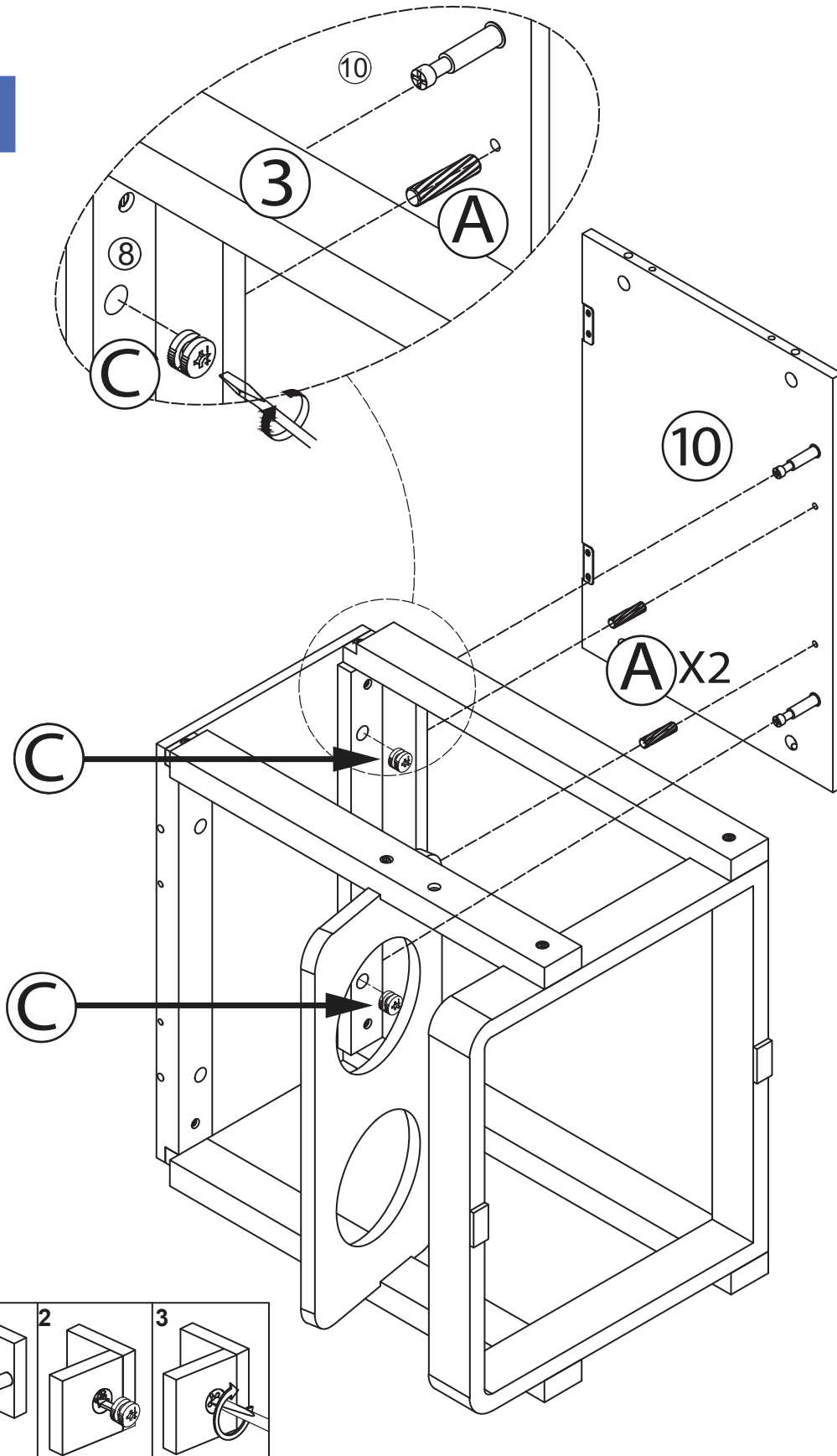
5



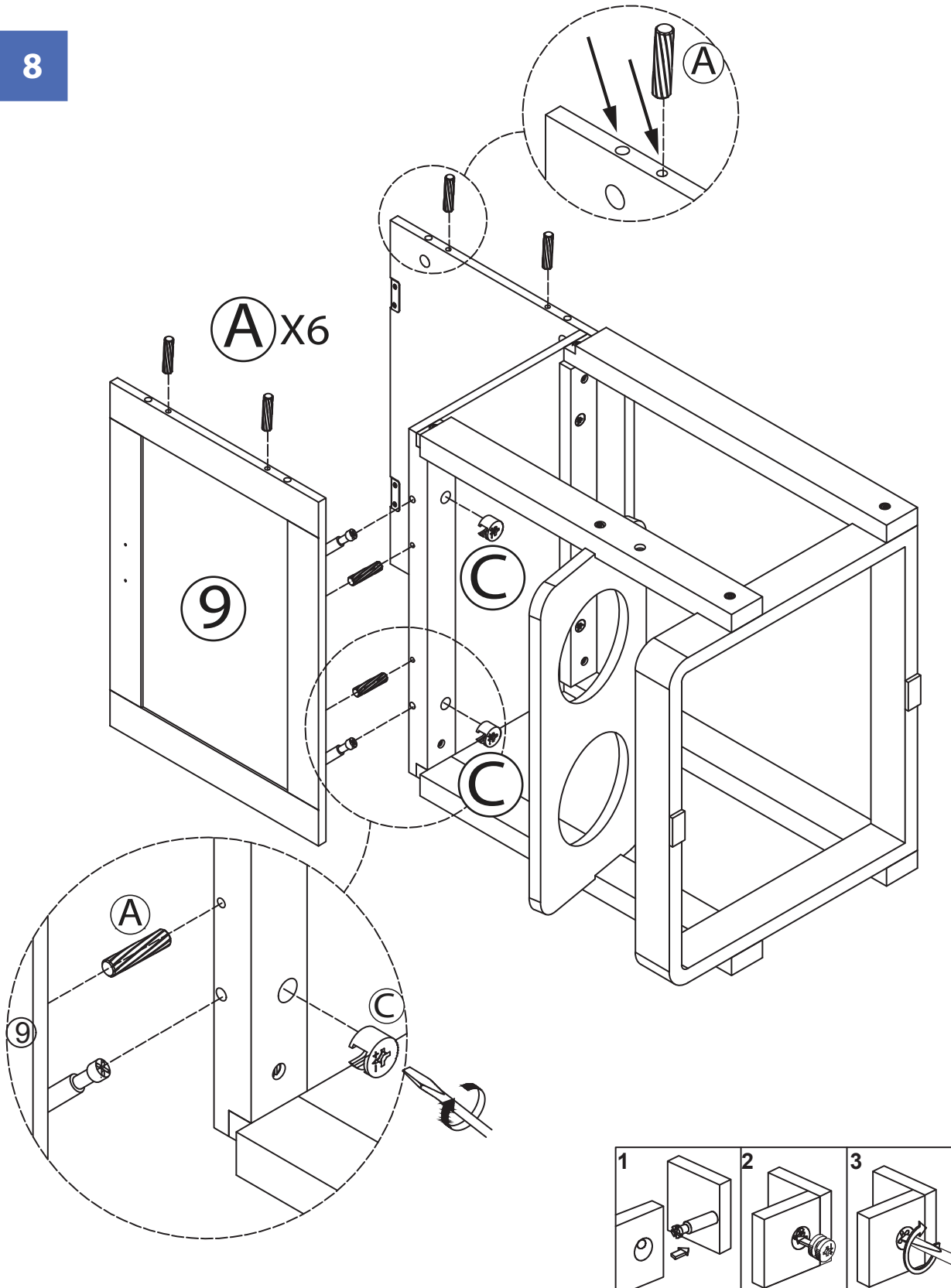
6



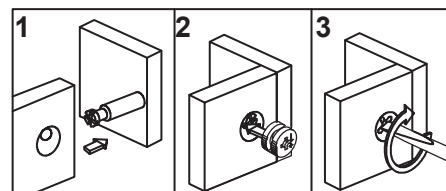
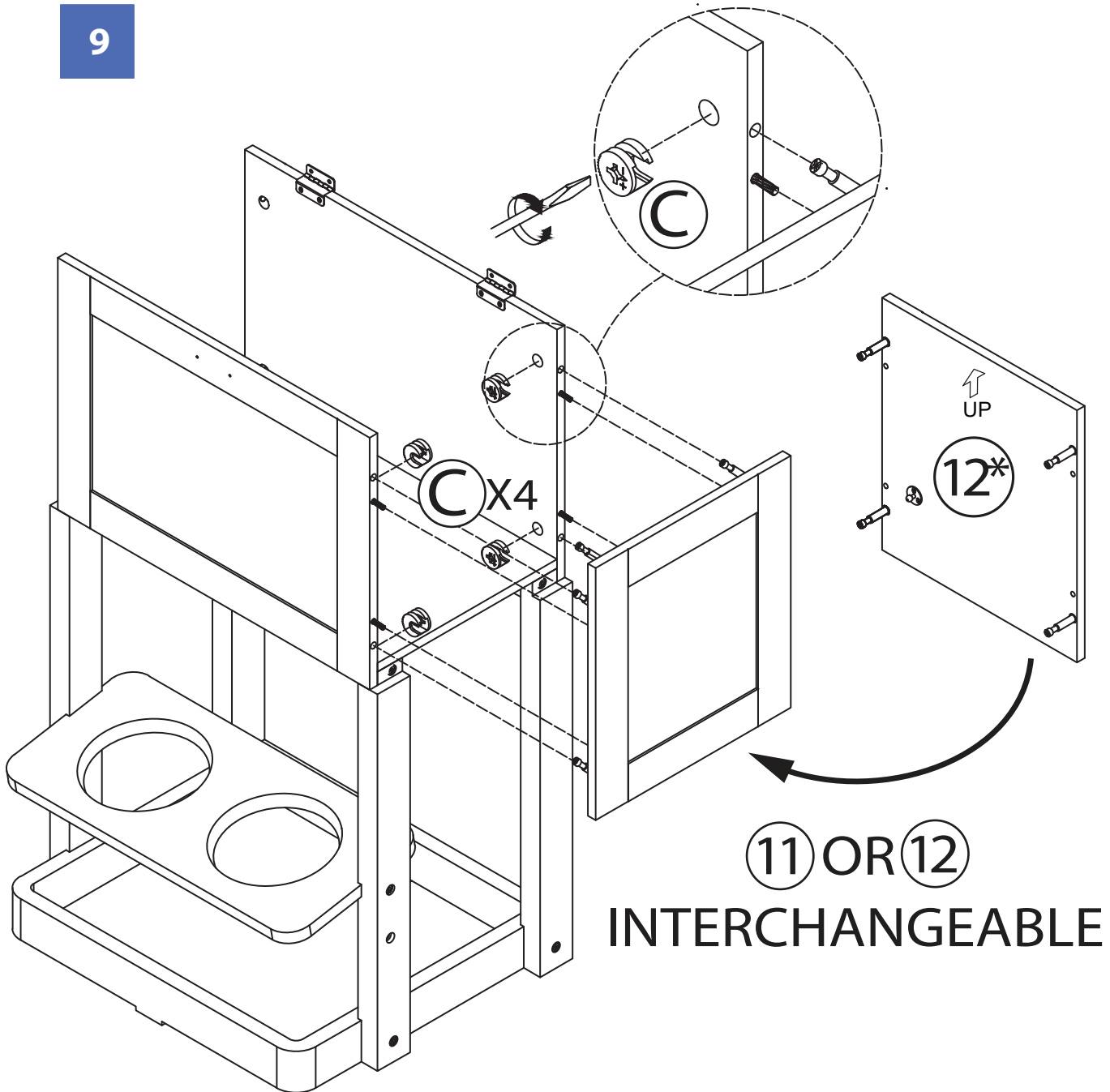
7



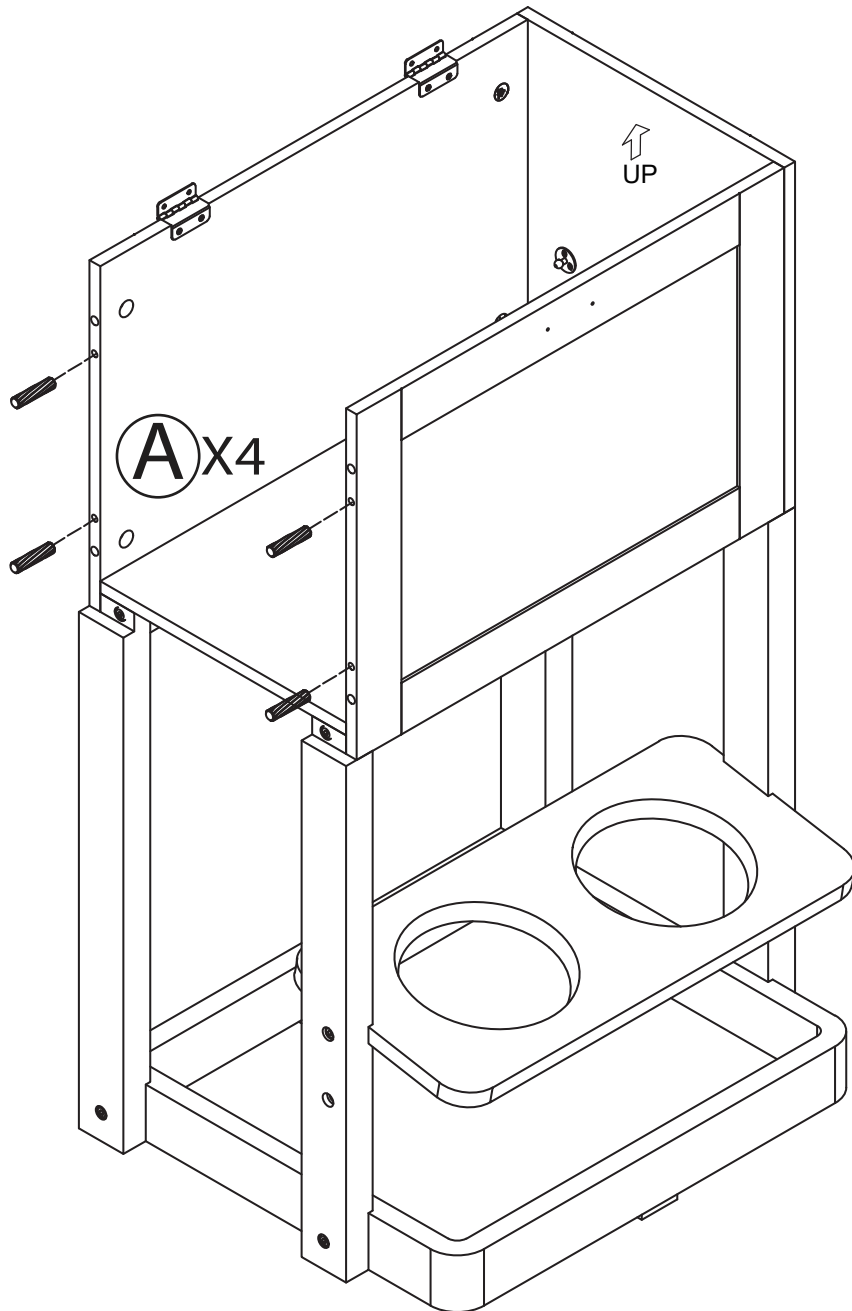
8



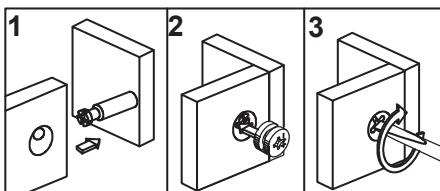
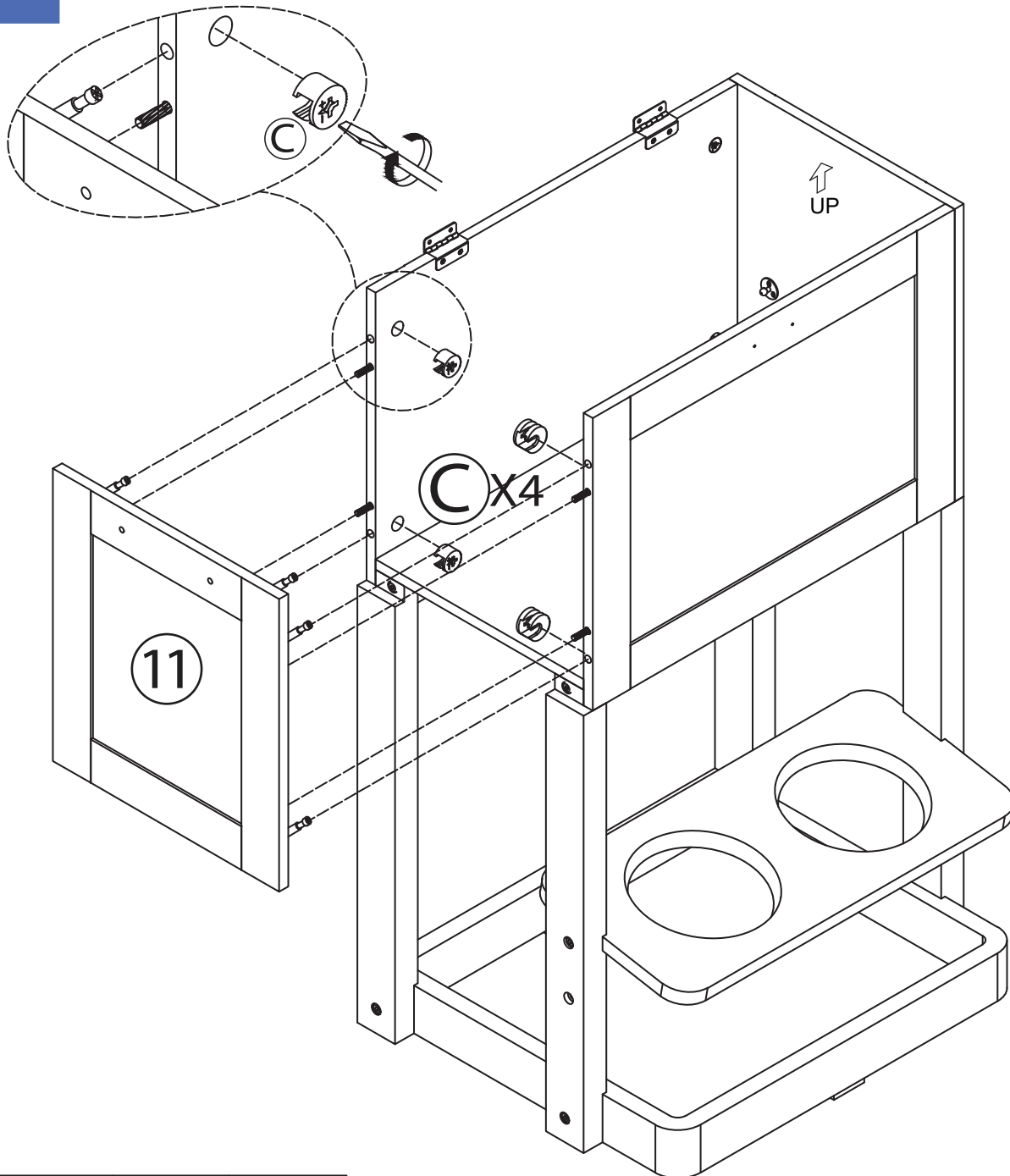
9

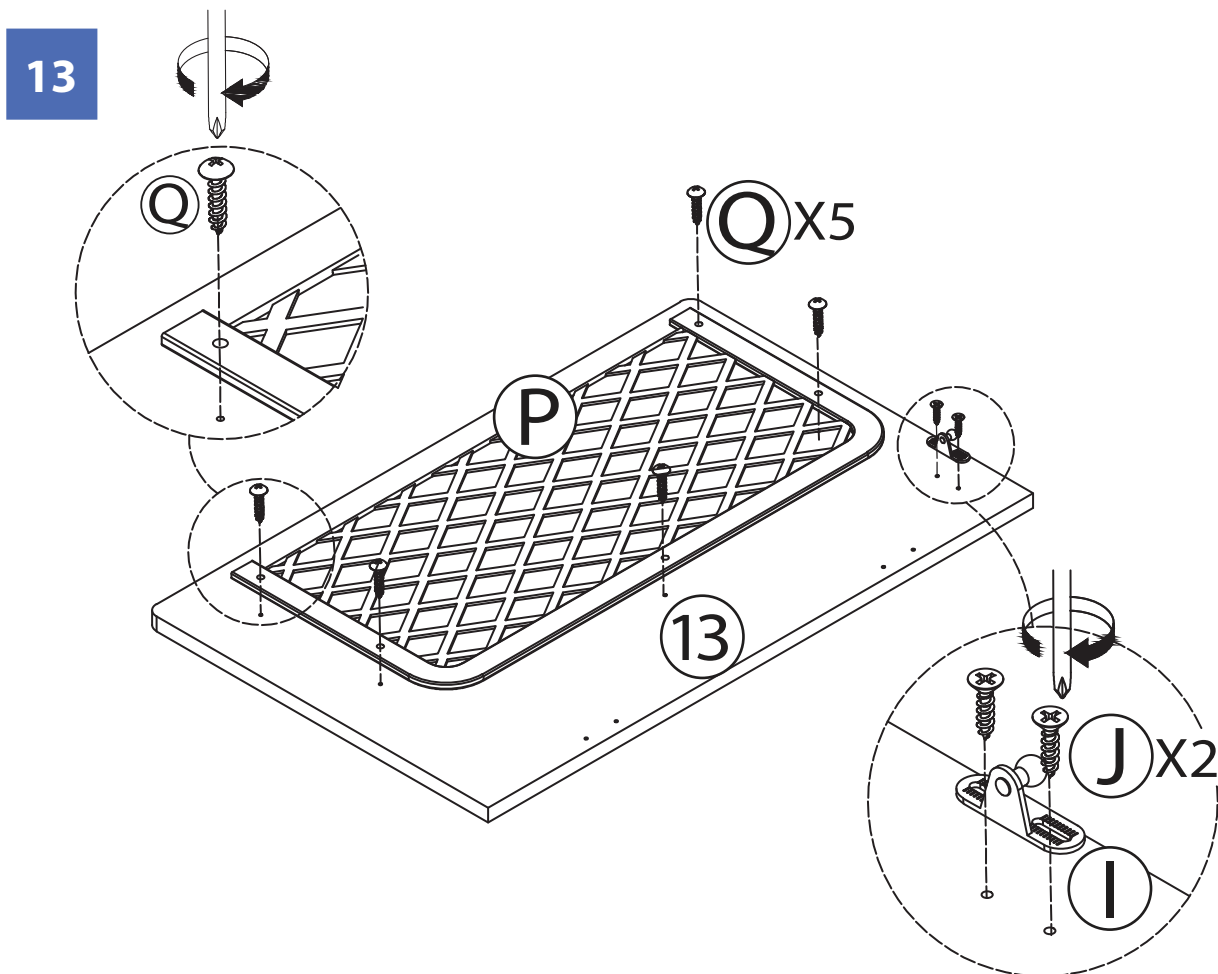
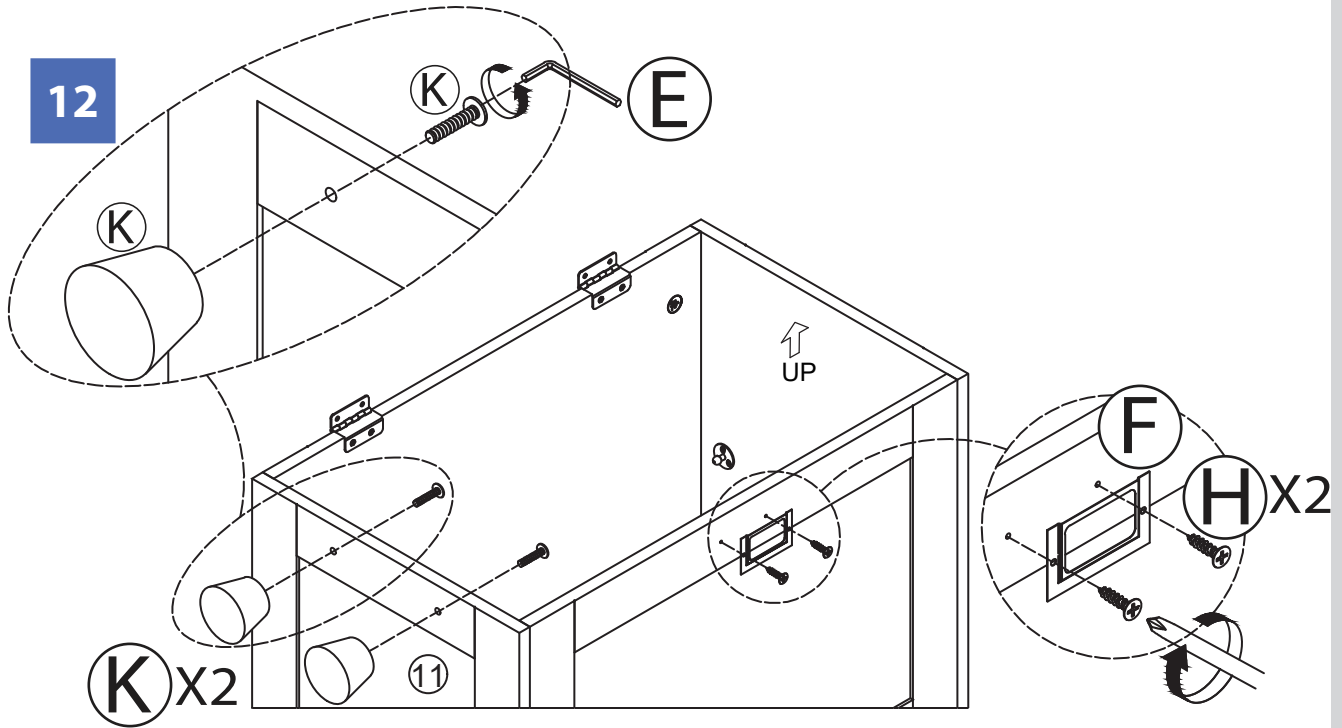


10

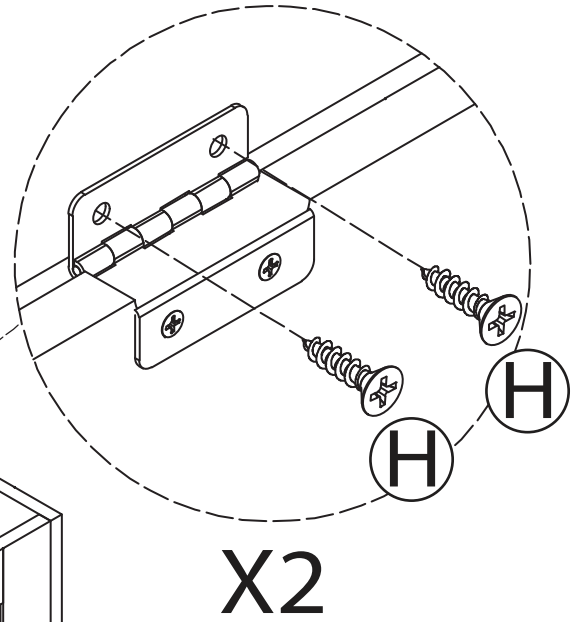
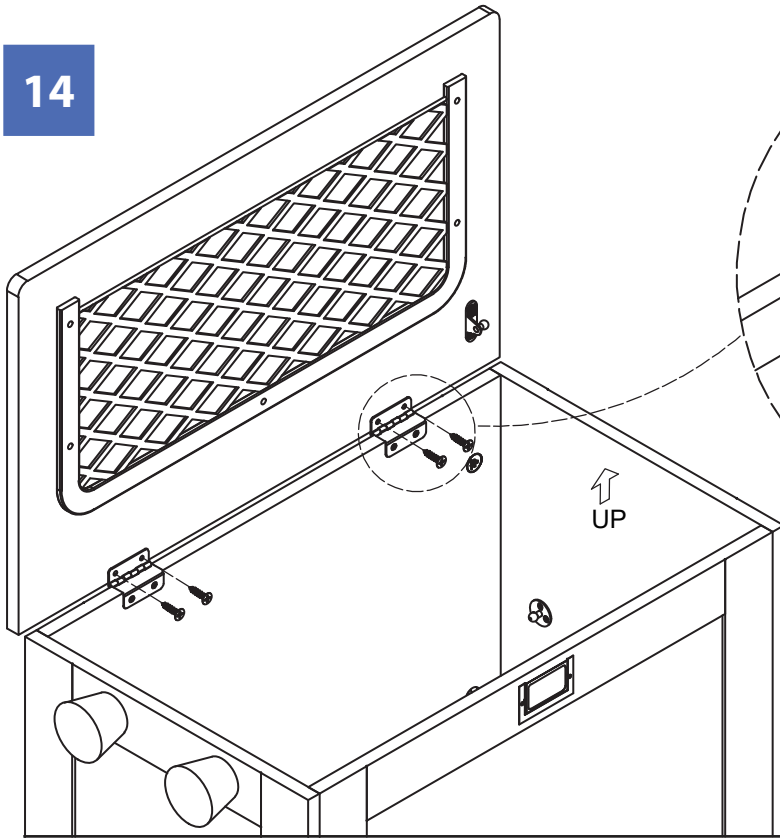


11

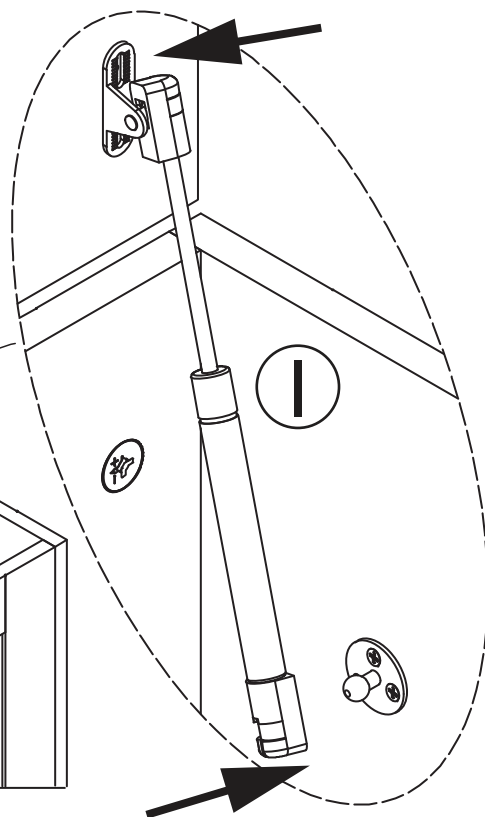
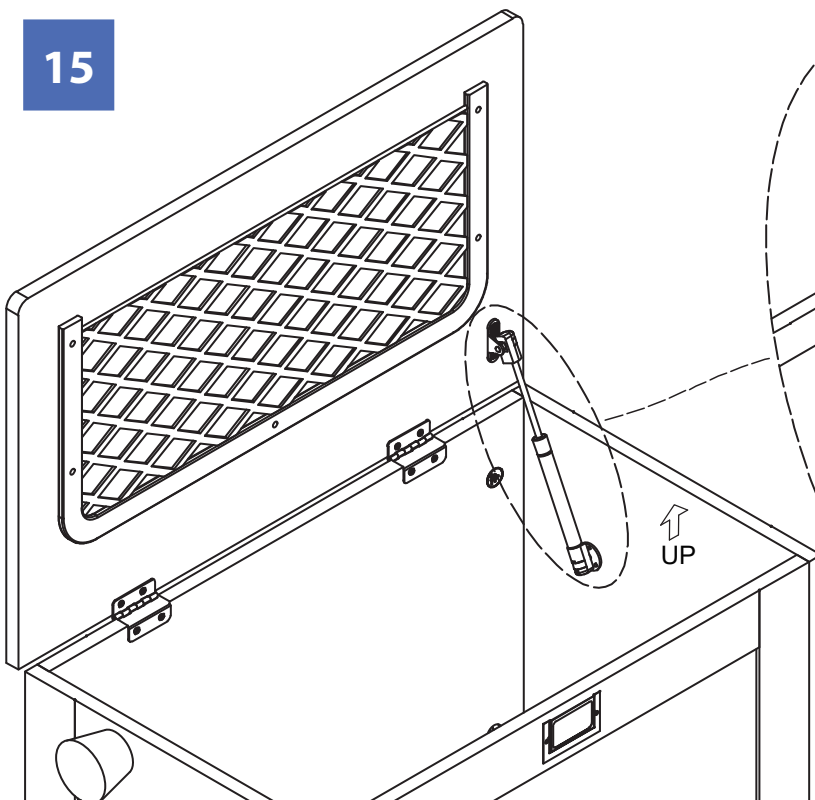




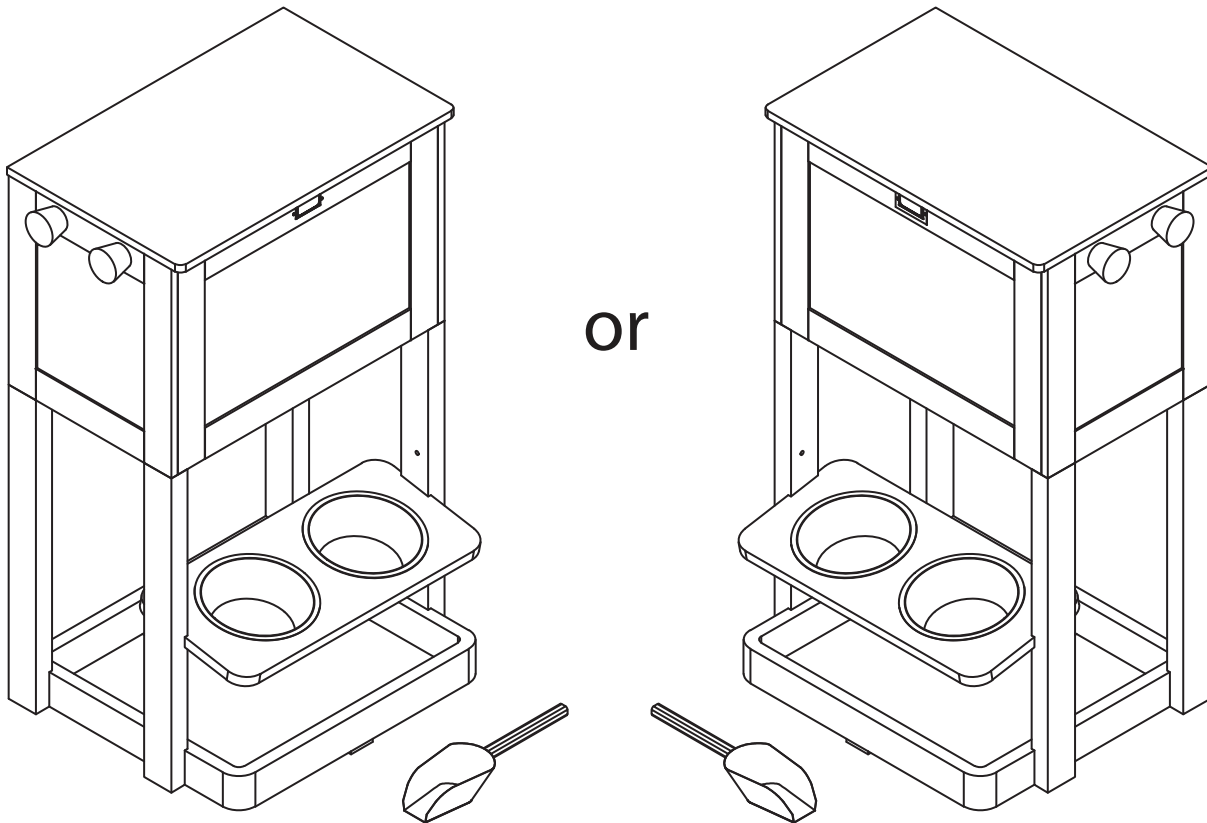
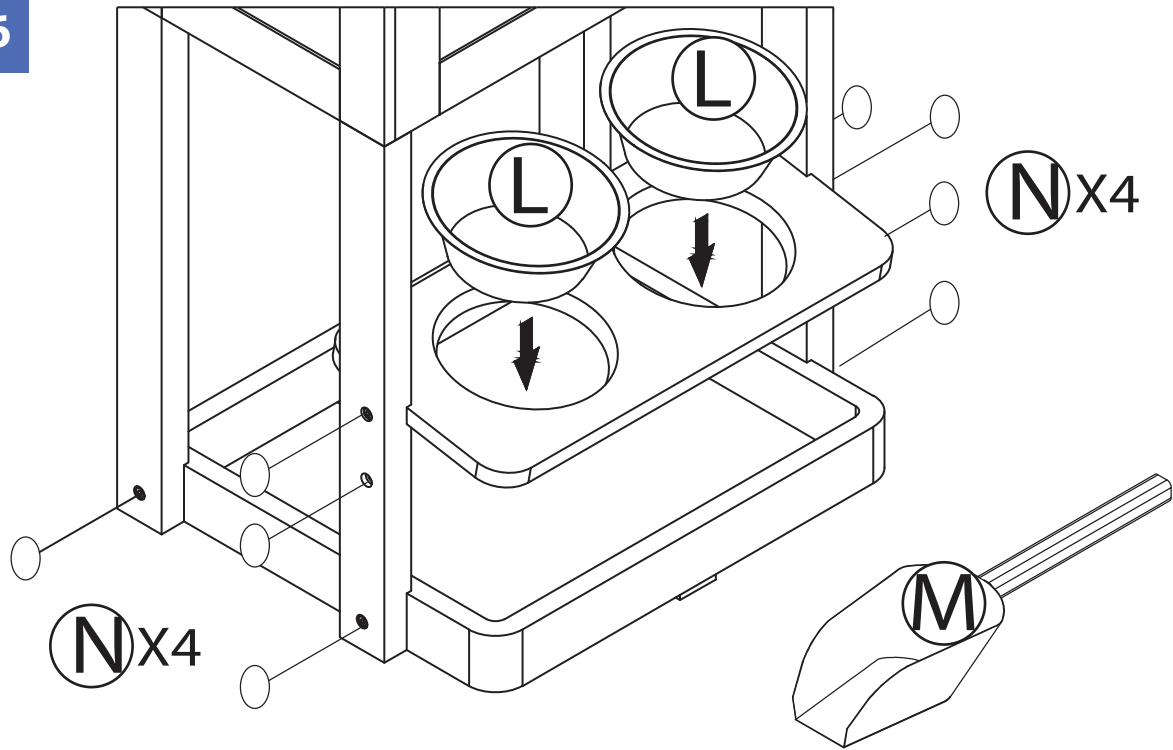
14



15



16



Please check contents before assembly. If any items are missing or damaged, do not take the unit back to the store. Call (775) 629-5029 or email: service@merryproducts.com for customer service and we will save you time by correcting any problems directly for you.

NOTE: Please read all instructions carefully before starting assembly. Also, we recommend that the unit is fully assembled on a level surface. Two people are recommended to assemble this product. DO NOT over torque screws and bolts.