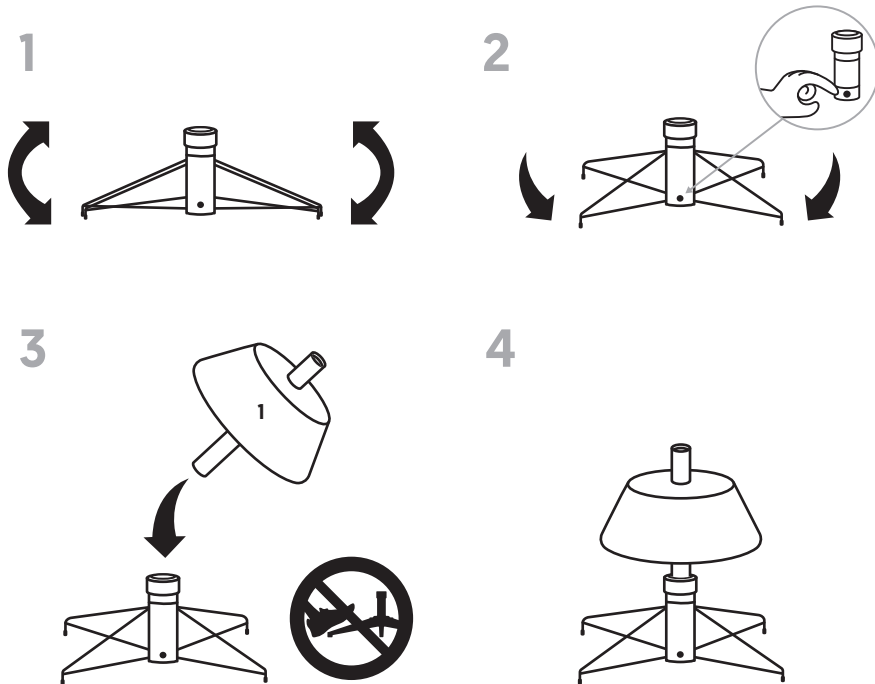
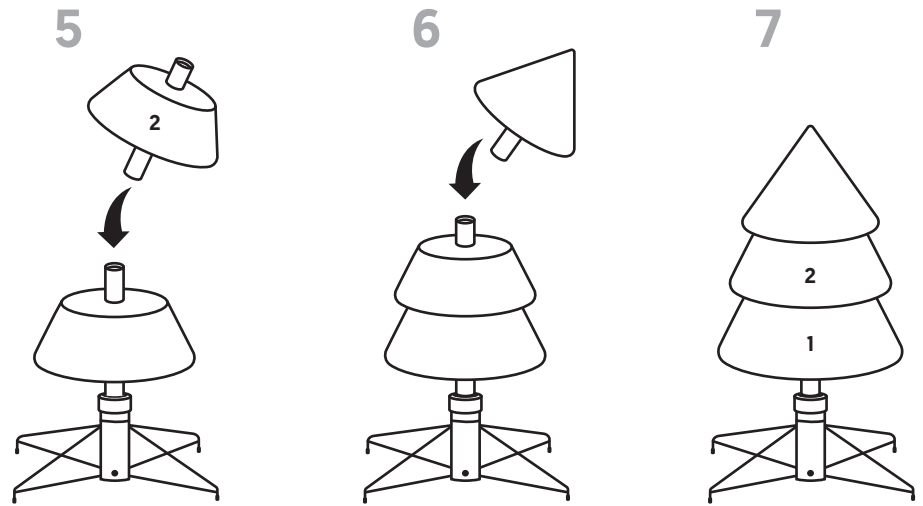
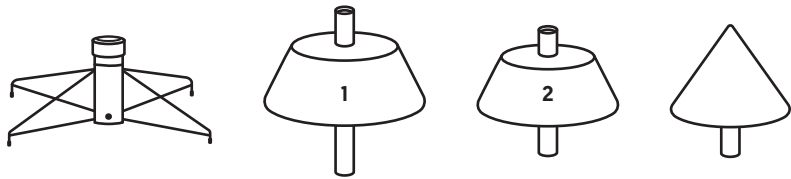


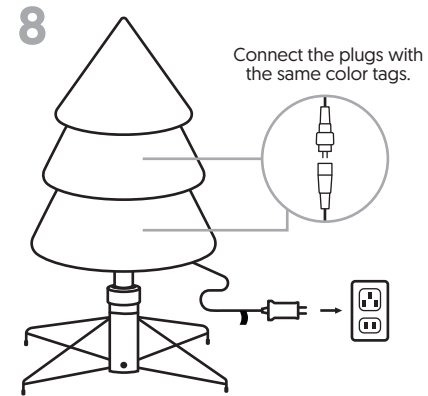
NEED HELP?

Do not return to store.
Please visit us at www.tractorsupply.com
or contact our customer service center.

Electrical Rating of the Tree
(For Indoor Use Only)
Input: AC 120 V, 60 Hz, 0.16 A
Output: DC 28 V, 0.28 A



Note: Do not step on the tree stand legs during the setup. This may deform the tree stand and may result in an unbalanced tree.



SHAPING OF TREE

1. Shape the branches from the bottom tree section to the top.
Start with branch tips furthest from the pole and fan out the branch tips one by one. Spread the tips outwards to get the full effect of the branch tips. [Refer to image below]



2. After shaping the entire tree, take a step back and check your tree from all angles at a distance. Look for any gaps between branches, especially the joint area between the tree sections, and finish the shaping by closing the gaps as much as possible for a nice seamless look.

For pre-lit tree, shape the tree with the lights turned on to ensure that the lights are operating correctly. Shape the light bulbs outwards, as any unfinished shaping will compromise the aesthetics of the tree.

CAUTION

To reduce the risk of fire and electric shock:

1. Use only the power supply that was provided with this product. Using a different adapter will damage the lights and may cause fire, or electrical shock hazards
2. a) Do not install on trees having needles, leaves or branch coverings of metal or materials which look like metal, and
b) Do not mount or support strings in a manner that can cut or damage wire insulation.

TROUBLESHOOTING TIPS

For pre-lit trees, if the tree does not illuminate

1. Ensure all connectors are properly connected and the adapter is plugged firmly into the wall outlet.
2. Check for loose connection between light string plugs and extension cords.
3. Check for loose, broken or missing light bulbs and replace as needed.
4. If the tree comes with a foot pedal, try stepping on the on/off button.

STORAGE INSTRUCTIONS

1. Unplug cord from the wall outlet first and then remove all ornaments and decorations.
2. Disassemble the tree from the top to the bottom. Start with the tree top and gently lift straight up to remove from section below and fold all branches toward the pole.
3. In case of difficulty separating the tree pole (trunk), apply a small amount of lubricant at the joint and rotate the upper pole in both directions. Lift up the upper pole again.
4. Continue by gently lifting straight up each section(s) from the section below and fold all branches toward the pole until the bottom section is removed from the tree stand.
5. Carefully place all tree sections into shipping box and tape it shut.
6. When not in use, please store your tree in a cool, dry place away from sunlight. Exposing your tree to excessive heat or humidity may damage your tree.

SPARE PARTS

This tree includes spare bulbs.
For extra parts, contact our Customer Service Center.

CUSTOMER SERVICE FOR CHRISTMAS TREES

For any questions, assistance, or missing parts, DO NOT RETURN TO PLACE OF PURCHASE. Contact us at 1-888-376-9601 or visit our website at www.tractorsupply.com. One of our customer service representatives will be happy to assist you.

Tree ID#: _____ Customer Name: _____
Tree UPC#: _____ Address: [No P.O. Boxes] _____
Store Purchased: _____ City & State: _____
Specify Problem: _____ Zip Code: _____
_____ Day Phone: _____
_____ Date Purchased: _____

TREE ID# IS LOCATED ON END PANEL OF BOX. TREE ID# IS REQUIRED WHEN REQUESTING REPLACEMENT PARTS.