

SAFETY WARNINGS!

- Improper use of batteries may lead to overheating, breakage or leaking.
 - Do not mix old and new batteries.
 - Do not mix different battery brands.
 - Install batteries with correct polarity. The flat side (negative terminal) of the battery should rest against the spring.
 - Remove dead batteries immediately.
 - Avoid liquids, which can short circuit the batteries.
 - The truck or remote will become unresponsive when batteries are low, at which point you should replace all batteries with new ones.
 - Remove the batteries from the controller, if you are not intending to use the truck for a long period of time.
 - Avoid using near furniture or glass to prevent damage to these objects.
 - Do not play on roads.
 - Do not play in crowded areas to avoid injury or damage. Choose a safe location away from traffic.
 - Do not use truck during a storm or when lightning or thunder are present.
 - Do not use in a wet, sandy or muddy environment as truck may become damaged.
 - Do not modify or attempt to replace the built-in original antenna on the remote or truck. Doing so will damage the set and affect operation.
 - Do not pull on any wires that are part of the truck. Such action may cause the wires to break and the truck to malfunction.
 - Keep fingers, hair and clothes away from the truck's spinning tires. Failure to do so may result in physical injury.
 - Never aim the truck at other people.
 - Do not throw the truck or purposely hit it with any object.
 - Store truck in a cool environment, away from high-temperature sources such as fires, stoves, radiators, etc.
 - This truck has no user-serviceable parts. Do not attempt to modify components or circuit board.
-
- Retain the screwdriver for future use.
 - Store the screwdriver where the child cannot access it.
 - The screwdriver is not a toy!

Limited 90-Day Warranty

NORTH AMERICA

AMAX Group USA warrants to the original consumer that this product is free from any electrical or mechanical defects for a period of 90 DAYS from the date of purchase. If any such defect is discovered within the warranty period, AMAX Group USA will repair or replace the unit free of charge upon receipt of the unit, shipped postage prepaid and insured to our warranty center ALONG WITH THE ORIGINAL RECEIPT evidencing that the product was purchased from an approved AMAX retail partner and that the product is still within the 90 day warranty period. The warranty covers normal consumer use and does not cover damage that occurs in shipment or failure that results from alterations, accident, misuse, abuse, neglect, wear and tear, inadequate maintenance, commercial use or unreasonable use of the unit. Removal of any parts/components voids all warranties. This warranty does not cover cost of repairs made or attempted outside by third-party individuals or companies. Any applicable implied warranties, including warranties of merchantability and fitness, are hereby limited to 90 DAYS from the date of purchase. Consequential or incidental damages resulting from a breach of any applicable express or implied warranties are hereby excluded. Some states do not allow limitations on the duration of implied warranties and do not allow exclusion of incidental or consequential damages, so the above limitations and exclusions in these instances may not apply.

REPAIR/REPLACE PRODUCT

If your product begins to malfunction or stop working, immediately contact our warranty center (contact details listed below). If it is determined that a return is necessary, our warranty department will issue you an RMA number/form and an address to the nearest return center for shipping the product to us. When honoring the warranty, AMAX reserves the right to either repair, replace or refund the product.

IMPORTANT NOTICE:

We will reject and return to sender returns that are not accompanied by an AMAX issued RMA form and RMA number so make sure to contact our warranty center before attempting to return your product!

PREPARATION FOR SHIPPING YOUR PRODUCT:

Please repack your product in a durable box, preferably in the original carton, and send it prepaid, and adequately insured. Include the RMA form that was issued by our warranty department along with your daytime telephone number and email address inside the shipping carton. If your warranty has expired and you still require service please contact our customer care team. For further information please send all inquiries to: customercare@amaxbrands.com

IMPORTANT NOTICE!
DO NOT ATTEMPT TO SHIP YOUR PRODUCT BACK WITHOUT FIRST CONTACTING OUR WARRANTY DEPARTMENT AT:

Email: customercare@amaxbrands.com

FCC Part 15 C Notice

CAUTION: Changes or modifications not expressly approved by the party responsible for compliance could void the user's authority to operate the equipment.
NOTE: This equipment has been tested and found to comply with the limits for a Class B digital device, pursuant to Part 15 of the FCC Rules. These limits are designed to provide reasonable protection against harmful interference in a residential installation. This equipment generates, uses and can radiate radio frequency energy and, if not installed and used in accordance with the instructions, may cause harmful interference to radio communications. However, there is no guarantee that interference will not occur in a particular installation. If this equipment does cause harmful interference to radio or television reception, which can be determined by turning the equipment off and on, the user is encouraged to try to correct the interference by one or more of the following measures:

- Reorient or relocate the receiving antenna.
- Increase the separation between the equipment and receiver.
- Connect the equipment into an outlet on a circuit different from that to which the receiver is connected.
- Consult the dealer or experienced radio/TV technician for help.

This device complies with Part 15 of the FCC Rules. Operation is subject to the following two conditions:
(1) this device may not cause harmful interference, and
(2) this device must accept any interference received, including interference that may cause undesired operation.

Distributed by:
TRACTOR SUPPLY COMPANY
5401 VIRGINIA WAY
BRENTWOOD, TN 37027
For customer support,
call: 1-888-376-9601
www.TractorSupply.com

WARNING:
CHOKING HAZARD - Small Parts.
Not for Children under 3 years.

Conforms to safety requirements of ASTM, FCC and CPSIA.

This product is manufactured by Amax Industrial Group China Co. Limited. Office No.3,10/F Witty Commercial Building 1A-1L Tung Choi street, Mongkok, Kowloon Hongkong
Power Craze™ 2.0 is the registered trademark of Amax Group©2024 All rights reserved.
Visit us at www.amaxbrands.com

Made in China
C012-USA-V1.0

POWER CRAZE™ 2.0



INSTRUCTION MANUAL

Thank you for purchasing the Power Craze™ 2.0. With proper care, your new Power Craze™ 2.0 will provide you with many hours of enjoyment. Please read this instruction manual completely before using the product for the first time, and then keep this manual in a handy place for future reference.

FOR AGES
8+

Colors and styles may slightly vary.

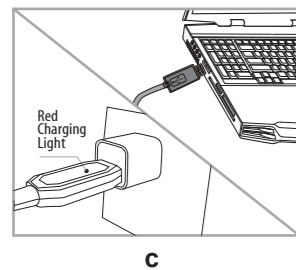
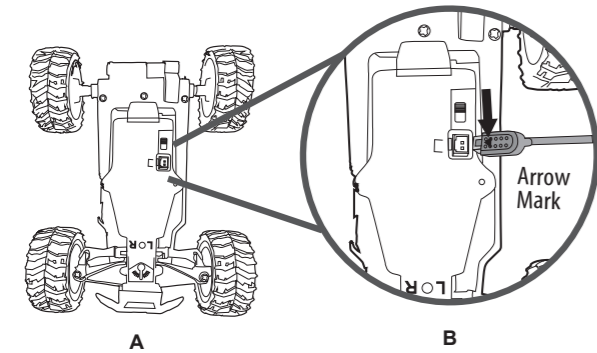
PACKAGE CONTENTS

- POWER CRAZE™ 2.0 High Speed RC Truck
- Remote control
- USB charger
- Screwdriver

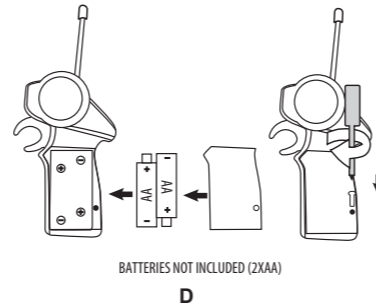
CHARGING THE BATTERY

1. Turn off the POWER CRAZE™ 2.0 then insert the charging plug into the truck charging socket on the bottom. The charging plug fits only one way. Do not force it (see illustration A,B).
2. Connect the USB end of the cable to your computers USB port or a USB wall charger (see diagram C). The Red CHARGE indicator light turns OFF while charging is in progress.
3. Average charging time is approximately 30 minutes (via 5.0V --- 2A USB wall charger). The truck operates for approximately 13-15 minutes on full charge.
4. The red charging indicator turns on when the battery is fully charged.

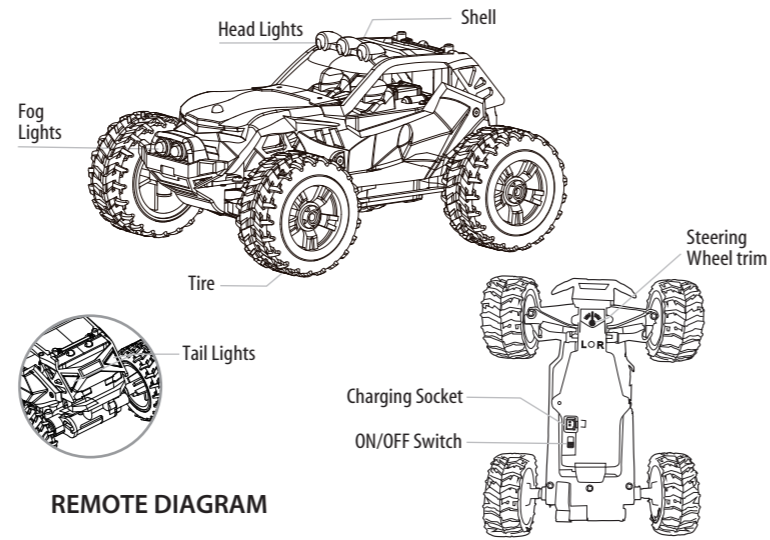
Note: Periodically examine the charger for external damage. External damage to the charger may result in the risk of fire, electric shock, or injury to persons. Never use a damaged adapter.



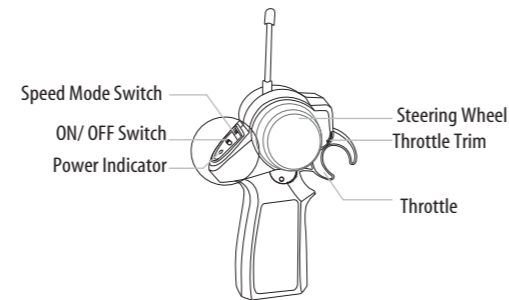
2. Install batteries into the remote control. Using the enclosed screwdriver to open the battery cover on the remote control (see diagram D). Insert 2 AA batteries (not included) into the battery compartment, matching polarity (+ and -) marked inside. Replace the battery cover and secure it.



TRUCK DIAGRAM



REMOTE DIAGRAM



SYNCING YOUR POWER CRAZE™ 2.0

Your POWER CRAZE™ 2.0 features an automatic 2.4G channel selection system that allows up to 8 people to race side by side in the same wireless range.

For One Player:

1. Before starting, make sure that the power on both your remote control and truck are in the OFF position. Make sure that there are no other 2.4G devices in the area.
2. Turn ON the truck and set it down on a flat surface the head light will turn on.
3. Turn ON the remote control and pull the throttle all the way down, your truck and remote control should sync. If pairing fails, repeat steps 1-3.

For Multiple Players:

1. Before starting, make sure that the power on all trucks and controllers are in the OFF position. Make sure that there are no other 2.4G devices in the area.
2. Each person must sync their truck one at a time to avoid interference. Follow steps 1 to 3 above.
3. After syncing, leave the truck ON until all players have synced their trucks.
4. If there is interference, all players must turn off their controllers and trucks and restart the syncing process.

OPERATION

1. Turn your truck on:
 - Fully charge your POWER CRAZE™ 2.0 and install 2 new AA batteries into the controller.
 - Sync your truck to the remote control and set the truck on the ground.
2. Driving your truck:
 - Pull the throttle halfway to drive forward at low speed. Pull the throttle fully to drive at high speed.
 - Push the throttle forward to make truck move in reverse.
 - Turn the steering control to the counterclockwise to turn the truck left. Turn steering to the clockwise to turn the truck right.
 - To break or quickly stop simply pull or push the throttle in the opposite direction.

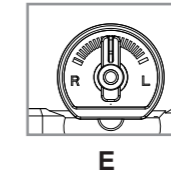
SPEED MODE SWITCH

You can drive your POWER CRAZE™ 2.0 in a low or high-speed setting. Simply push the "Speed Mode Switch" to the right to change from low to high-speed mode.

THROTTLE TRIM

If your POWER CRAZE™ 2.0 automatically goes forward or backward, simply adjust the Throttle Trim until the POWER CRAZE™ 2.0 remains in a neutral position.

STEERING WHEEL TRIM ADJUSTMENT



If the Truck pulls to the right or left, you may need adjust the steering wheel trim on the bottom of the truck from time to time to keep your POWER CRAZE™ 2.0 driving straight. (see diagram E)



TROUBLESHOOTING

Before sending your truck in for repair, please check for a solution below.

Problem	Possible Cause(s)	Solution
Truck will not move.	Weak batteries; no batteries	Install new batteries in remote control and recharge the truck.
Truck does not respond properly to remote control.	Truck and remote not synced properly Another RC truck may be transmitting on the same radio frequency	Refer to sync section and re-sync your truck and remote. Move to a new location where no other RC trucks are present.
Truck loses connection to remote control.	Using truck in a small enclosed area Using truck indoors Low batteries in transmitter or vehicle	Move outdoors to a large open area. Install new batteries in remote control or recharge your truck.
Truck battery is fully charged, but slower than normal.	Driving truck for too long at high speeds, causing motor to overheat	Turn truck off for 10-15 minutes.