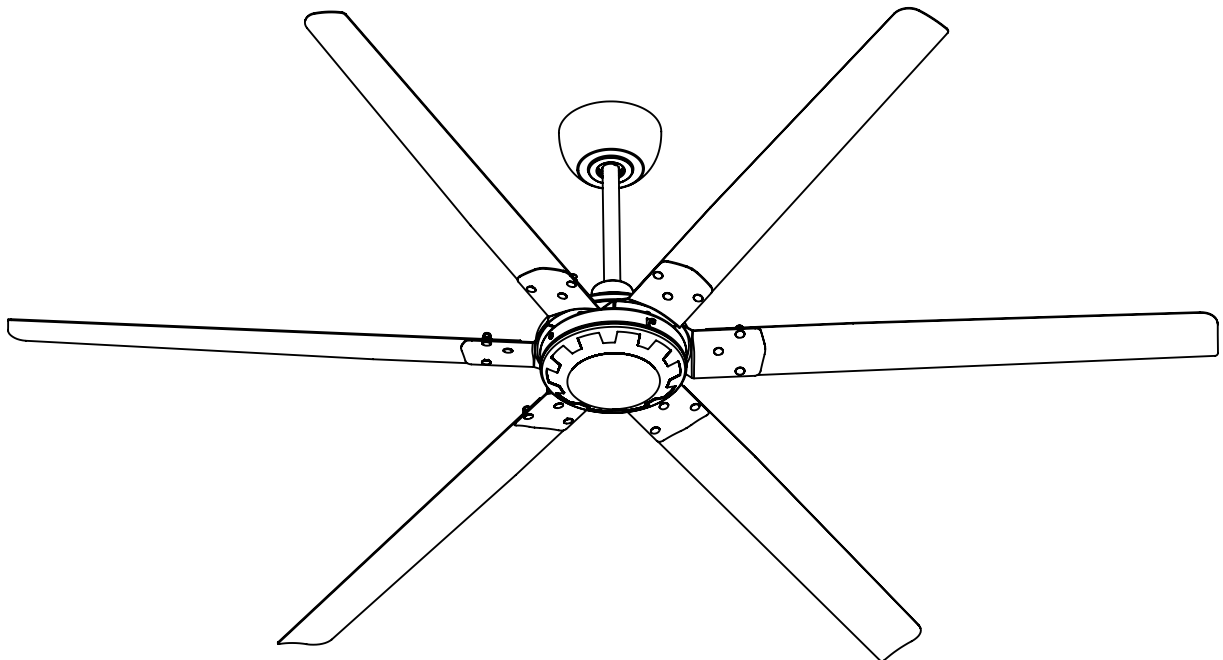




# HVLS Big Ceiling Fan with IR Remote Control Owner's Manual



Models: ILG8HVLS78/  
ILG8HVLS102/  
ILG8HVLS120

PLEASE READ AND  
SAVE THESE INSTRUCTIONS

## IMPORTANT SAFETY INSTRUCTIONS

Read instructions carefully before assembling or installing your fan. It is important that you observe all safety information to help prevent personal injury and/or property damage.

1. To ensure the success of the installation be sure to read the instructions and study the diagrams thoroughly.
2. For your safety, all electrical connection and disconnection must be performed by a Licensed Electrician, in accordance with the National Electrical Code, ANSI/NFPA 70.
3. All electrical work should only be undertaken after disconnection of the power by turning off the electrical supply.
4. Make sure that your installation location will not allow the rotating fan blades to come into contact with any object and that there is a minimum clearance of 11-7/8in from the blade tip to the wall or nearest object. Please note that the bigger this clearance is the better the airflow from your fan will be. Ensure the blades are mounted at a minimum height of 10 feet from the floor when the fan is installed.
5. The fan must be earthed.
6. Do not connect the fan motor to a dimmer switch. This may give an unsatisfactory performance (motor hum)and cause damage to the motor. Only use the supplied fan controller.
7. It is not recommended that ceiling fans and gas appliances be operated in the same room at the same time.
8. The fan must be turned off and stopped completely before reversing the fan direction. This will prevent any damage to the motor of the unit or controller.
9. Do not insert anything into the fan blades while the fan is operating, as this may cause personal injury, damage the blades, and upset the balance of the unit causing it to wobble.
10. After the fan is completely installed make sure that all connections are secured and tightened to prevent any noise problems from loose parts.
11. Because of the fan's natural movement, some connections may loosen. Check the support connections, brackets and blade attachments twice a year to make sure they are all secured. If they are loose, tighten with a screw driver.
12. Check that the outlet box is securely installed in place such that it is able to support at least the fan weight.
13. The replacement of parts of the safety suspension system device shall be performed by the manufacturer, its service agent or suitably qualified persons.
14. The mounting of the suspension system shall be performed by the manufacturer, its service agent or suitably qualified persons.



**WARNING** - To reduce The Risk Of Fire Or Electric Shock, Do Not Use This Fan With Any Solid-State Speed Control Device.



**WARNING** - To Reduce The Risk Of Personal Injury, Do Not Bend The Blade Brackets When Installing The Brackets, Balancing The Blades, Or Cleaning The Fan. Do Not Insert Foreign Objects In Between Rotating Fan Blades.



**WARNING** - To Reduce The Risk Of Fire, Electric Shock, Or Personal Injury, Mount Directly To A Structural Framing Member Or To An Outlet Box Marked 'Acceptable for Fan Support of 15.9 kg (35 lbs) or less'. For Outlet Box Mounting, Use Mounting Screws Provided With The Outlet Box."



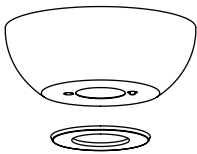
**WARNING** - If unusual oscillating movement is observed, immediately stop using the ceiling fan and contact the manufacturer, its service agent or suitably qualified persons.

# BEFORE INSTALLATION

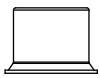
Unpack your ceiling fan carefully. Remove all parts and hardware. Place fan motor on a cloth or soft surface to avoid damage to the finish. Do not lay motor housing on its side –the decorative housing may become bent or damaged. Verify that all parts are present before starting assembly.

Check the packaging carefully for missing parts.

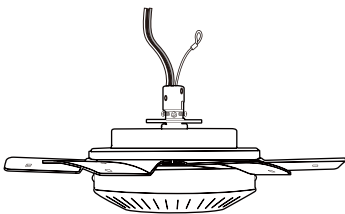
Examine all parts. You should have the following:



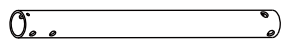
Canopy x 1  
Canopy Cover x 1



Coupling Cover x 1

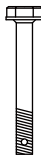






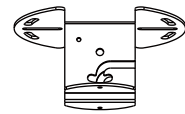
Motor Assembly x 1



12" Downrod x 1




### Hardware installed at downrod

-  1/4" x 1-27/32" Hex Bolt x4
-  1/4" Flat washer x 8
-  1/4" Lock washer x 8
-  1/4" Nut x 4
-  Clevis Pin x 4



Mounting Bracket x 1





### Hardware for bracket installation

-  M4 Wood Screw x 2
-  M4 Washer x 2
-  1/4" x 1-31/32" Wood Screw x 4



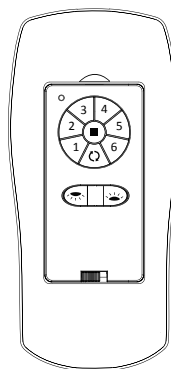
Blade x 6

### Hardware for blade installation

-  1/4" x 5/8" Screw x 19
-  1/4" Rubber washer x 19
-  1/4" Flat washer x 19
-  1/4" Nut x 19



Wire Connector x 3



Remote Control x 1

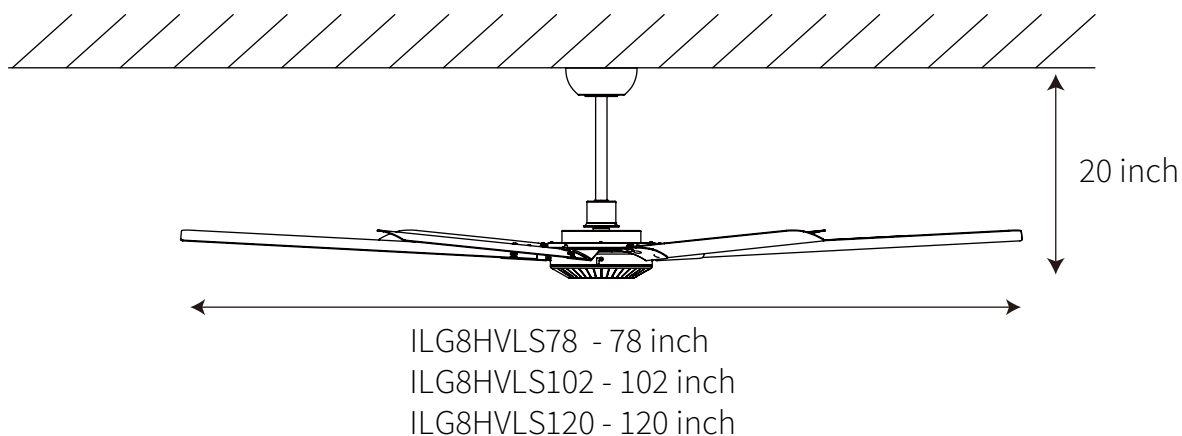
AAA Battery x 1

## TOOLS REQUIRED (Not Included) :

- Phillips / Flat head screw driver
- Pair of pliers
- Adjustable Spanner
- Step ladder
- Wire cutter
- Wiring, supply cable as required by the National Electrical Code, ANSI/NFPA 70.
- Outlet Box and Mounting screws

SPECIFICATION			
Model#	ILG8HVLS78	ILG8HVLS102	ILG8HVLS120
Size	78"	102"	120"
Voltage(V)	120	120	120
Frequency (Hz)	60	60	60
Wattage(W)	74	78	78
AMPS(A)	0.92	1.2	1.2
RPM	135	90	75
CFM	13,200	17,800	21,000
Blades	6	6	6
Blade Angle	10	10	10
Speeds	6	6	6
Net Weight(LBS)	23.7	25.7	26.3
Certification	ETL	ETL	ETL

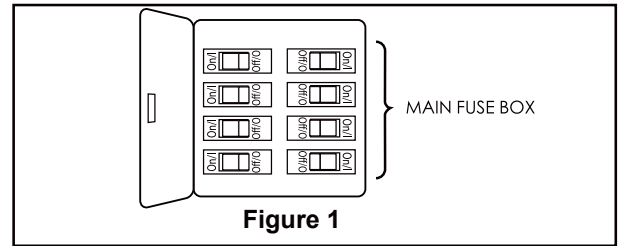
## Dimensions(inch)



# INSTALLATION INSTRUCTIONS

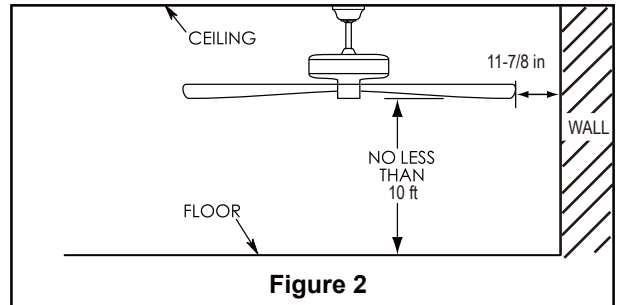
**WARNING** - To avoid possible electrical shock, be sure electricity is turned off at the main fuse box before installation. (Figure 1)

**NOTE:** If you are not sure if the outlet box is grounded, contact a licensed electrician for advice, as it must be grounded for safe operation.



**Figure 1**

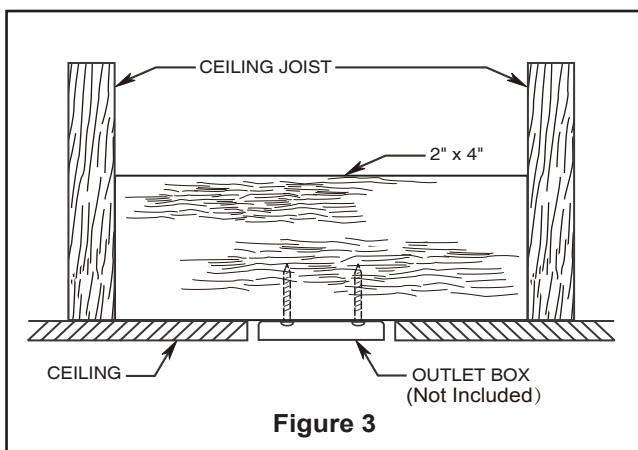
**WARNING** - The fan must be hung with at least 10 feet above the floor, and 11-7/8 in spacing from the tip of the blade to the nearest objects or walls. (Figure 2)



**Figure 2**

## Electrical and Structural Requirements

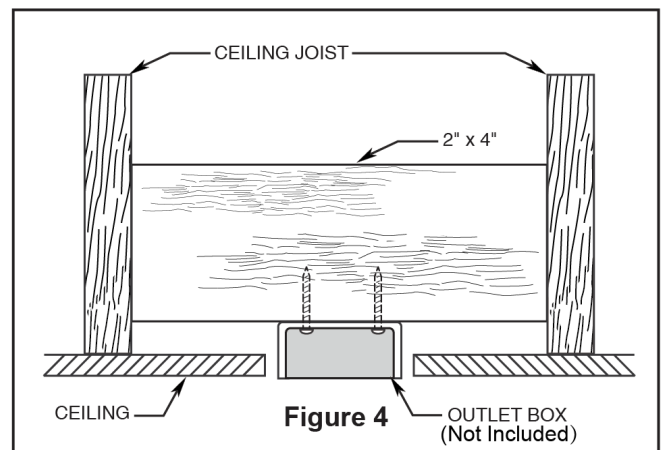
Your new ceiling fan will require a grounded electrical supply line of 120 volts AC, 60 HZ, 15 Amp Circuit. Electrical code requires use of a fan-rated outlet box to support the extra weight and motion associated with a ceiling fan. A fan-rated box will be labeled as such and typically supports up to a 70lb ceiling fan. Fan-Rated Outlet Boxes vary in ratings and design. Ensure the ratings of your ceiling fan outlet box meet there requirements for the ceiling fan being installed. Figure 3, Figure 4 and Figure 5 depicts different structural configurations that may be used for mounting the outlet box.



**Figure 3**

### Low profile box (Figure 3)

A 1/2-in.-deep pancake box is meant to be screwed to a joist or block. It's used if only one cable is coming into the box. It is also available in a saddle-mount configuration



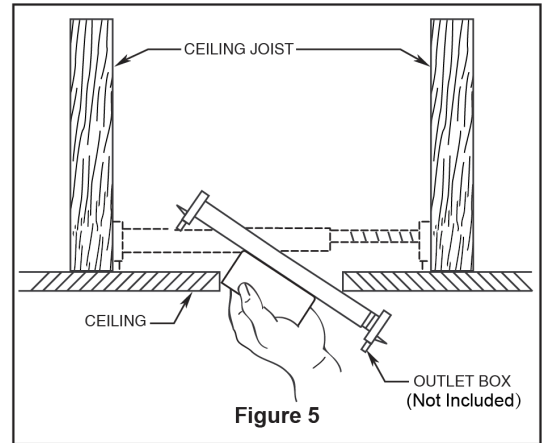
**Figure 4**

### Deep box (Figure 4)

A 2-1/4in.deep box can be attached to blocking between joists and is roomy enough to handle more than one cable.

### Deep box with brace (Figure 5)

Paired with a deep box, this hanger is meant to span between two joists and takes the place of wooden blocking.



**WARNING** -The outlet box must be securely anchored and capable of withstanding a load of at least 50 lbs. Mounting bracket must seat firmly against outlet box. If the outlet box is recessed, remove wallboard until bracket contacts box. If bracket and/or outlet box are not securely attached, the fan could wobble or fall. The fan be mounted to an outlet box and that the mounting screws provided with the outlet box shall be used.

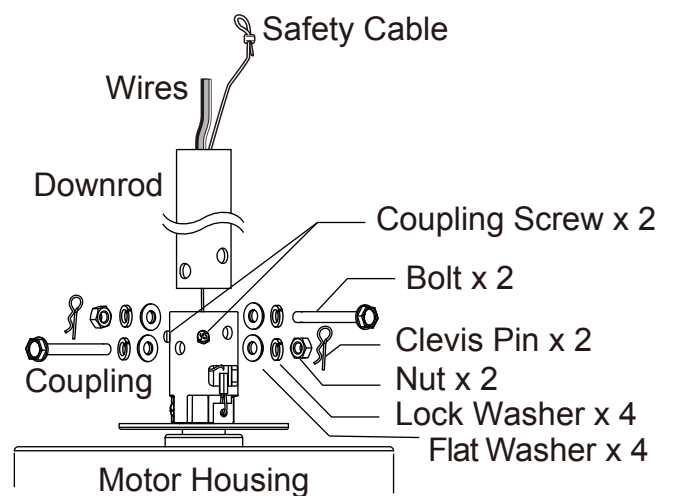


**WARNING** - To Reduce The Risk Of Fire, Electric Shock, Or Personal Injury, Mount Directly To A Structural Framing Member Or To An Outlet Box Marked 'Acceptable for Fan Support of 15.9 kg (35 lbs) or less'. For Outlet Box Mounting, Use Mounting Screws Provided With The Outlet Box."

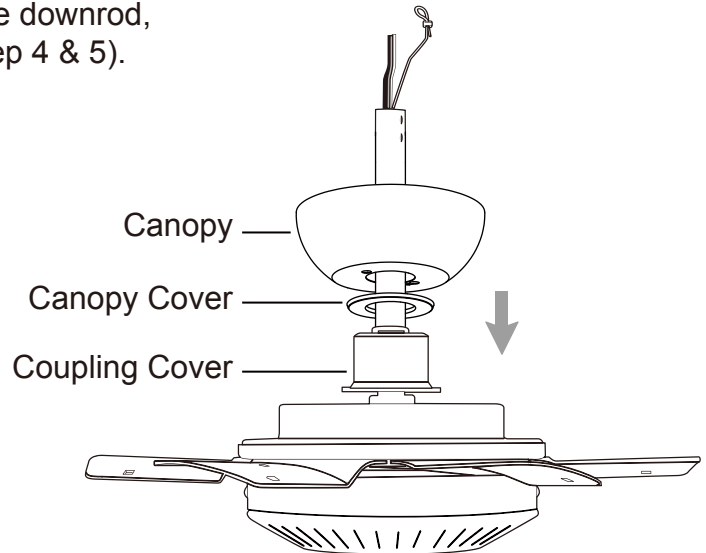
- 1 Loosen the screws and washers installed at top of downrod.

Route safety cable and wires through downrod. Fix the downrod to the coupling of motor with bolt, washer, nut and tighten them firmly then insert clevis pin.

Clamp the downrod with 2 coupling screw on coupling to prevent shaking during operation.

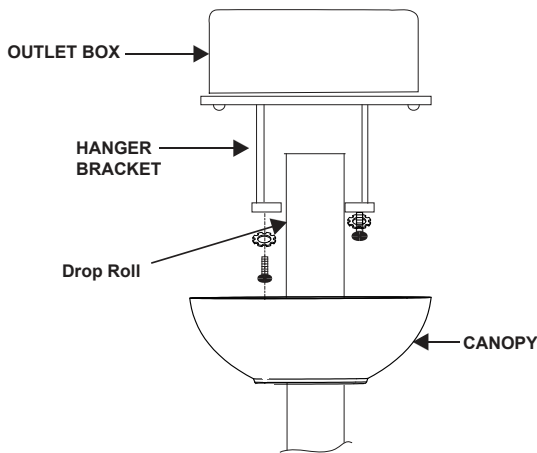


- 2** Loosen the bolts and nuts installed at the downrod, and save them for further installation (Step 4 & 5). Assemble the coupling cover, canopy cover, and the canopy through downrod.



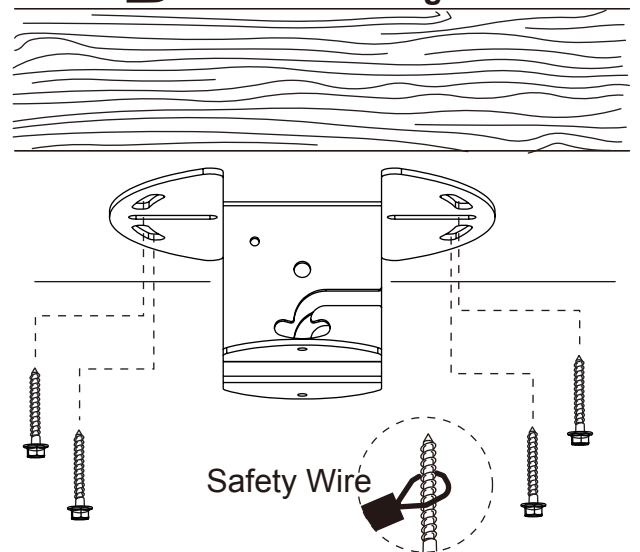
- 3** Mounting bracket installation.

**A** Outlet box Ceiling



Install the Mounting Bracket onto outlet box ceiling with the M4 wood screws and M4 washers.

**B** Wooden Ceiling

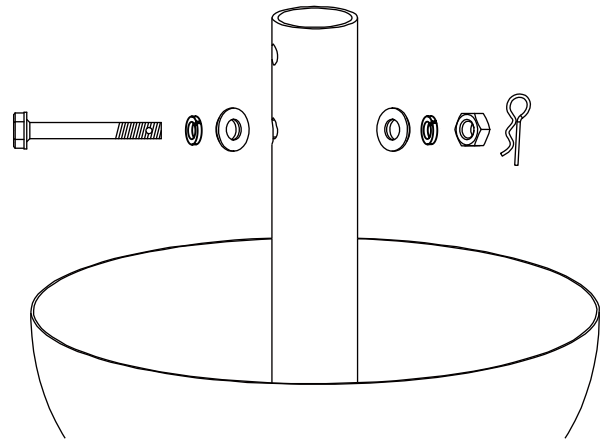


Install the Mounting Bracket onto wooden ceiling with the 1/4"x1-31/32" Wood Screws.

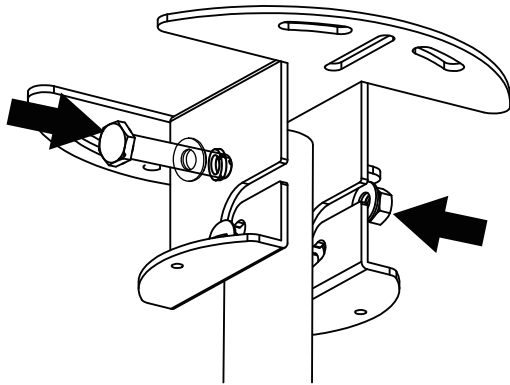
**Important: Screws and Nuts must be tightened till snug. Safety Wire must install according to instruction.**

- 4 Install the Hex Bolt, Flat Washer, Lock Washer, Nut and Clevis Pin into the bottom hole on top of the Downrod.

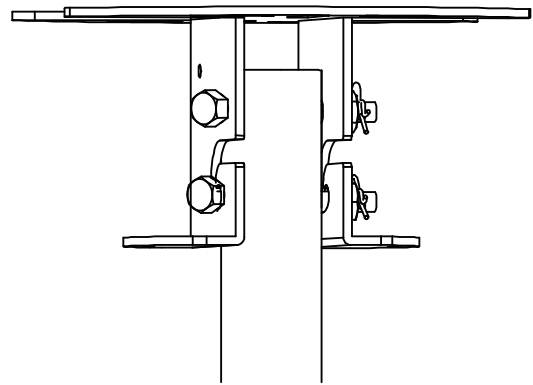
**Note:** The Hex Bolt, Flat Washer, Lock Washer, Nut and Clevis Pin are from step 2#.



- 5 Insert the Hex Bolt into the upper hole on Downrod and secure with Flat Washer, Lock Washer and Nut.

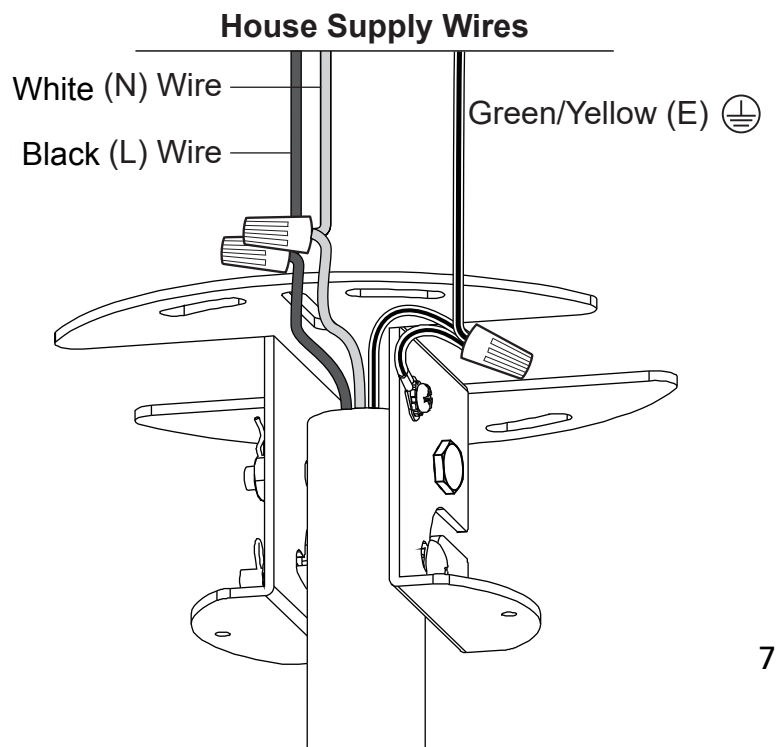


Tighten the 2 bolts.



**Important: Bolts must be tighten till snug.**

- 6 Connect the wires from fan to house's supply wires.

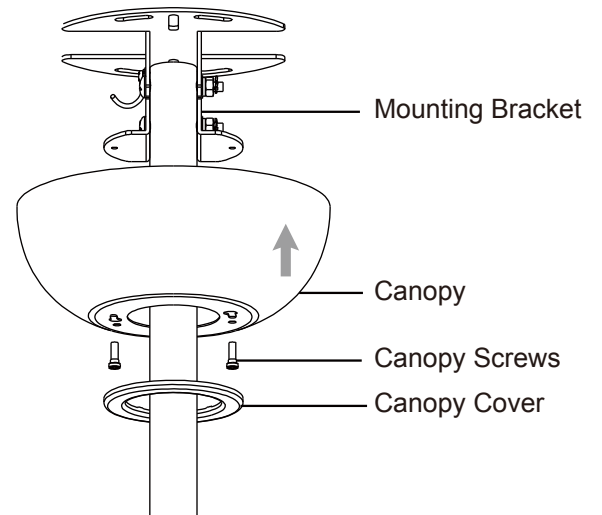




- 7 Loosen the 2 Canopy Screws on Mounting Bracket.

Place Canopy on the Mounting Bracket. Align the keyholes on Canopy with Mounting Bracket and secure with the 2 screws.

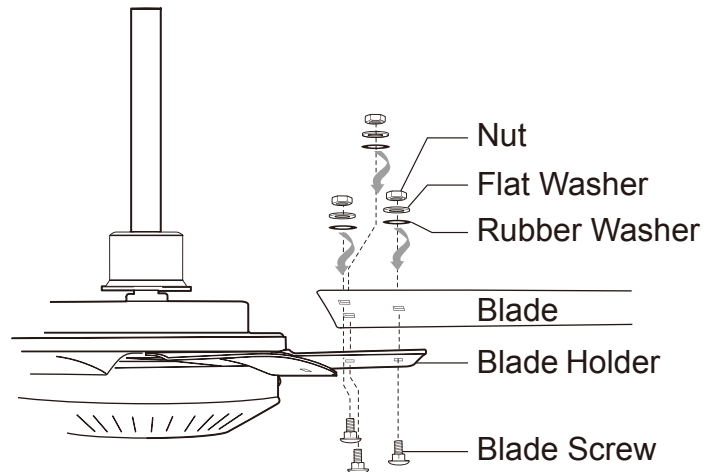
Place the Canopy Cover on Canopy. Align the keyholes and push in till snug.



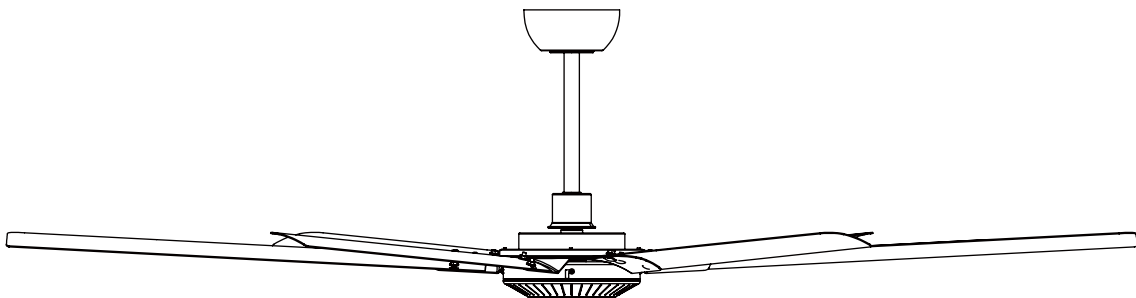
- 8 Place the Blade on top of Blade Holder. Install Blade with the Screws provided.

**Important: Blade Screws must be tighten till snug.**

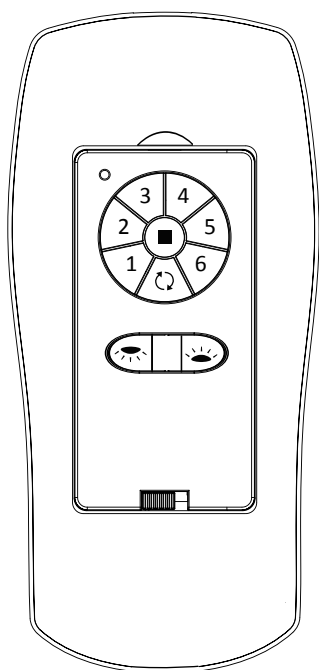
**User must tighten Blade Screw yearly.**



- 9 Below shows a complete installation diagram.



# REMOTE CONTROL



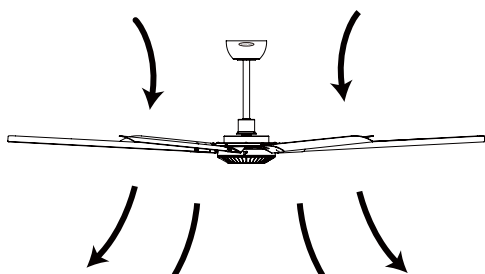
Button	Description
LED LIGHT	Lights up when any button is pressed.
⊠	Power ON/OFF
1	Speed 1 (Minimum)
2	Speed 2
3	Speed 3
4	Speed 4
5	Speed 5
6	Speed 6 (Maximum)
↻	Direction Control (Clockwise/Counterclockwise)
☀/☁	No function
🔋	No function

**NOTE:** Remove the battery if the remote control will not be used for more than a month. Battery left in the remote control may leak and cause damage.

## Forward & Reverse

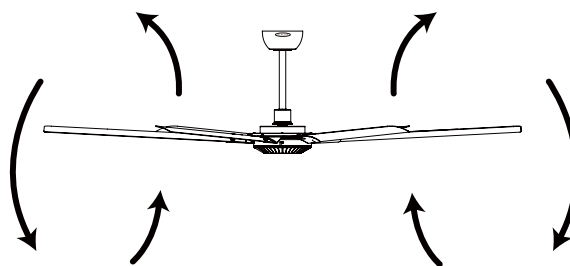
Fan must be turned on and rotating.

Press and hold button for 3 sec. Fan will slow down and then change direction (approx. 15 sec). When the fan is slowing down to change direction, the Fan Speed function is disabled until direction has been changed.



### Forward

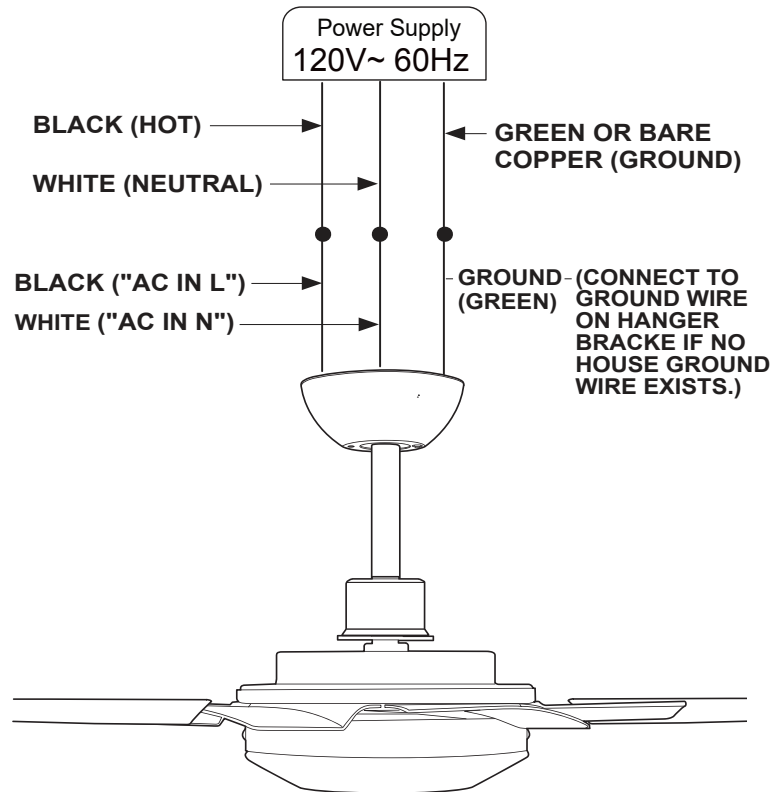
Fan rotates anti-clockwise blowing the air downwards creating the wind chill effect. **Suitable for hot weather condition.**



### Reverse

Fan rotates clockwise drawing the air towards the ceiling circulating the warm air downwards. This function works best at low speed. **Suitable for air-conditioned condition.**

## Wiring Diagram



## MAINTENANCE

Due to the fan's natural movement, connections may get loose after a period of usage. To ensure a proper and safety usage, it is highly recommended to inspect and tighten all connections every 6 months.

### **Cleaning**

Cleaning your fan periodically will prolong its new appearance. Basic cleaning procedures are as follows :

1. Use only lukewarm water. Do not use detergent, corrosive or acidic solution.
2. Damp the cloth lightly. Use only soft or lint-free cloth to clean the fan. Rough fabric will scratch the surface.
3. Do not bend the blades while cleaning. At the event where blades are bent or damage, order new set of blades from service centre or dealer shop.
4. There is no need to oil the fan.

## Warranty Information

This product comes with a 1-YEAR LIMITED COMPONENT WARRANTY. If your unit does not appear to be working properly, please contact our service center by calling 1-800-317-1688. Prior to your call, we encourage you to visit our service related website [www.ilivingusa.com](http://www.ilivingusa.com) for troubleshooting tips and service instructions if needed.

Register your product at our website:



Or visit [iLivingUSA.com/register-product](http://iLivingUSA.com/register-product)

## Feedback

Love it? Help us make the product more for you.





Let us know with a customer review.

Please visit: <https://www.amazon.com/review/review-your-purchases#>

At iLiving USA, we are committed to bringing top quality products to our customers.

iLIVING USA  
860 Mahler Road,  
Burlingame, CA 94010  
Tel: 1-800-317-1688  
Email: [service@ilivingusa.com](mailto:service@ilivingusa.com)

 Like us on Facebook: <https://www.facebook.com/ilivingusa/>

 Follow us on Twitter: @iLIVINGUSA

Check out our website: [www.ilivingusa.com](http://www.ilivingusa.com)