

## WARRANTY

### WHAT IS COVERED

We warrant the product to be free from defects in material or workmanship for a period of one year from the date of original retail purchase. The word "defects" is defined as imperfections that impair the use of the product. Defects resulting from misuse, abuse or customer negligence will void this warranty.

### WHAT IS NOT COVERED

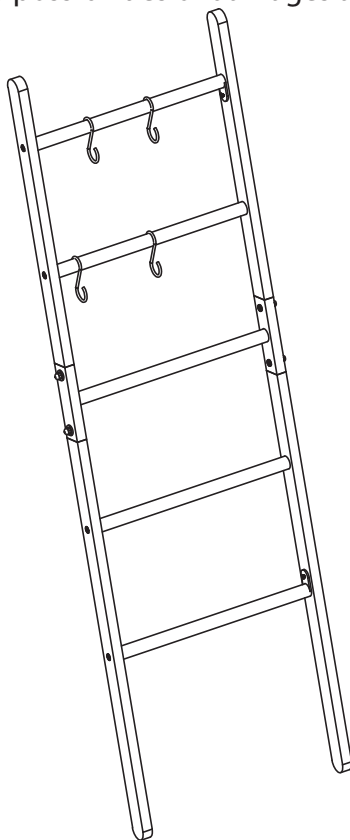
This warranty does not cover commercial use, hardware, acts of nature, fire, freezing and abusive use. This warranty does not cover defects due to alteration or accidents. This warranty does not cover scratches, scuffs or other cosmetic damages that may result from normal use of the product.

## CARE INSTRUCTIONS

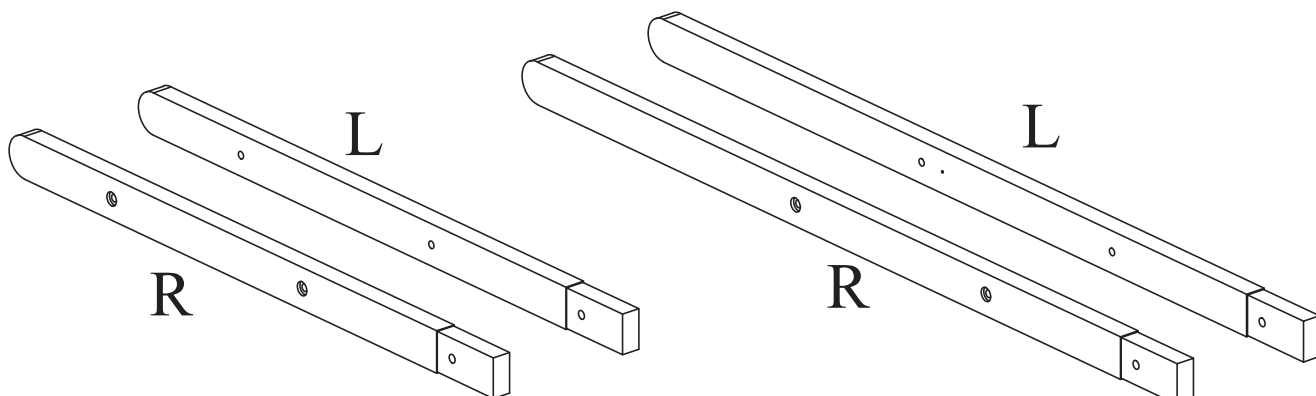
Thank you for choosing northbeam™ MILLWOOD 60" BLANKET LADDER.

With a little care and maintainance, the northbeam™ MILLWOOD 60" BLANKET LADDER will provide you with comfort and enjoyment for many years to come!

- To clean panels, use clean water on a damp cloth.
- When assembling northbeam™ MILLWOOD 60" BLANKET LADDER, please handle all the panels and/or hardware with care to avoid any possibilities of damages and/or injuries.

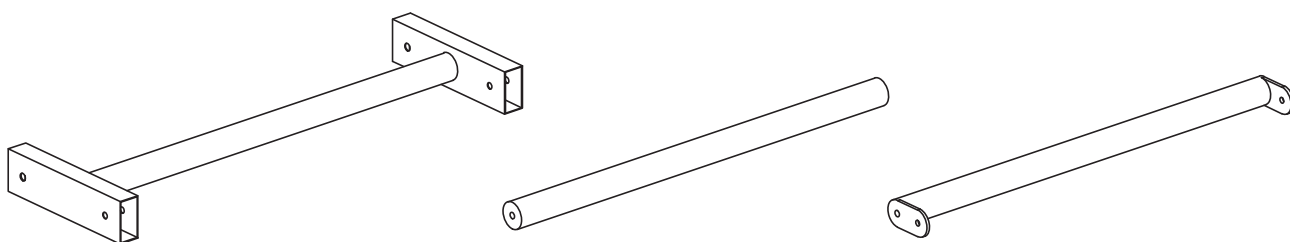


NOTE: Please read all instructions carefully before starting assembly. Also, we recommend that the unit is fully assembled on a level surface. Two people are recommended to assemble this product. DO NOT over torque screws and bolts.



**1** SHORT LEGS X 2PCS













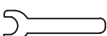

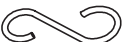

**2** LONG LEGS X 2PCS



**3** RUNG WITH BRACKETS X 1PC

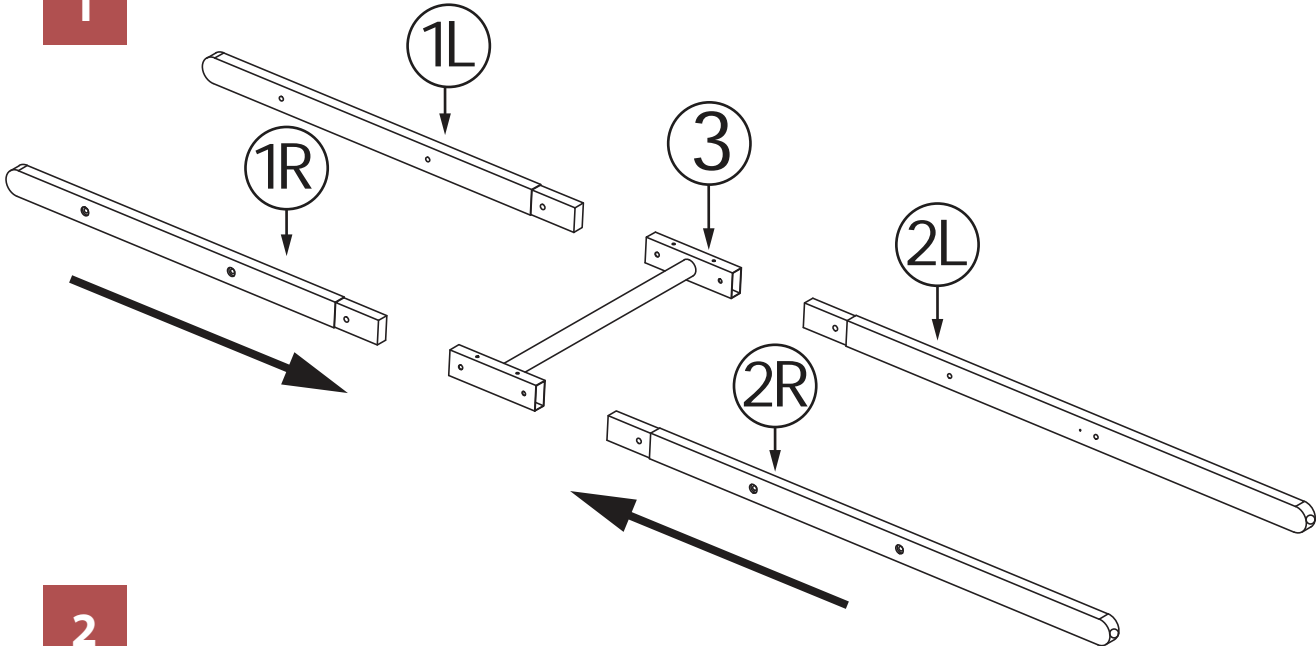
**4** RUNG X 2PCS

**5** RUNG WITH TABS X 2PCS

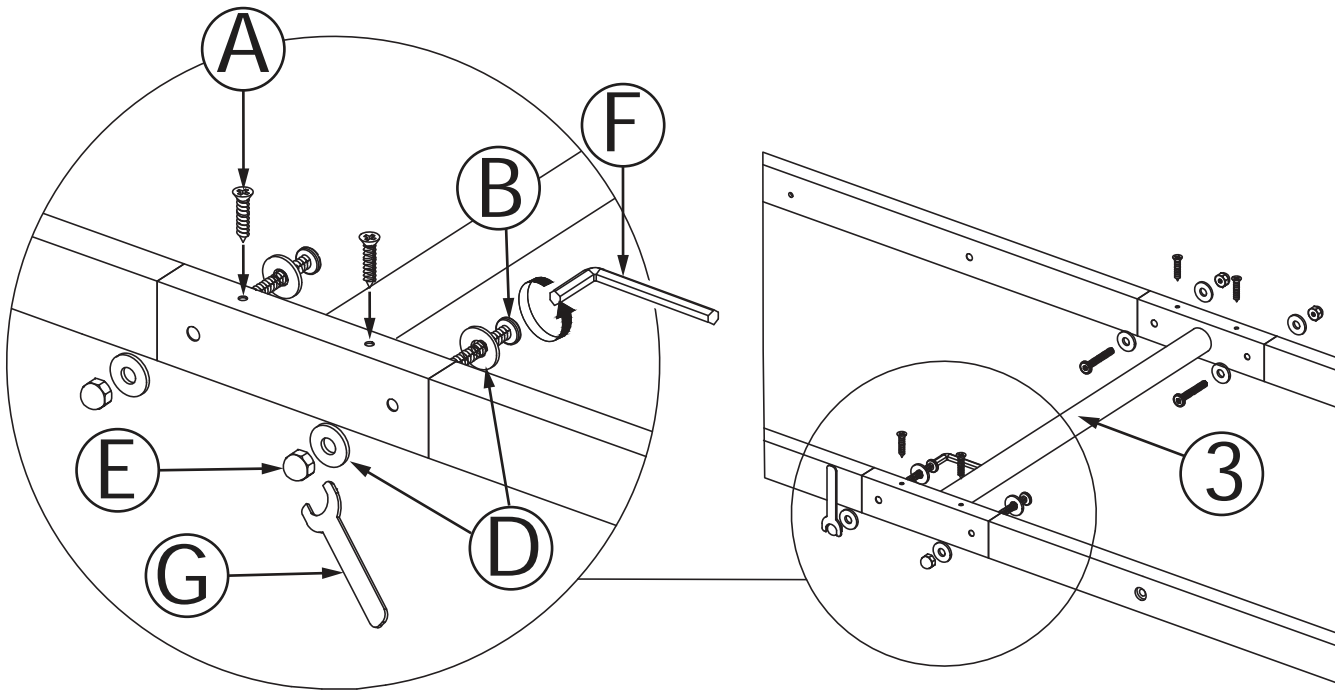
A		SCREW 4X15		<b>8 PCS</b>
B		BOLT M6X30X13		<b>4 PCS</b>
C		BOLT M6x40x13		<b>8 PCS</b>
D		WASHER 6.5/16X2		<b>8 PCS</b>
E		ACORN NUT M6		<b>4 PCS</b>
F		ALLEY KEY 4X80		<b>1 PC</b>
G		WRENCH 10X90		<b>1 PC</b>
H		HOOKS		<b>4 PCS</b>

NOTE: Please read all instructions carefully before starting assembly. Also, we recommend that the unit is fully assembled on a level surface. Two people are recommended to assemble this product. DO NOT over torque screws and bolts.

1

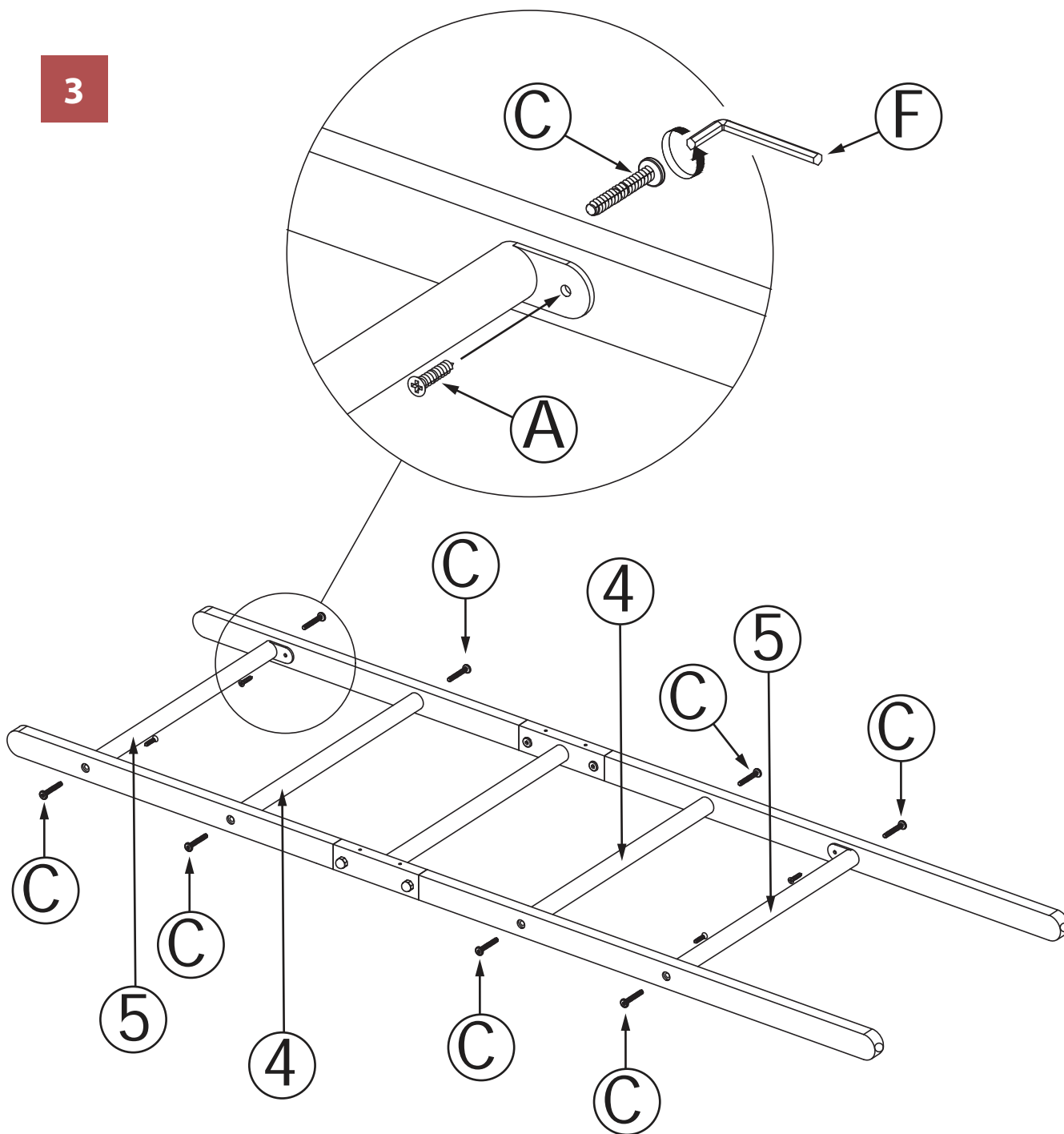


2



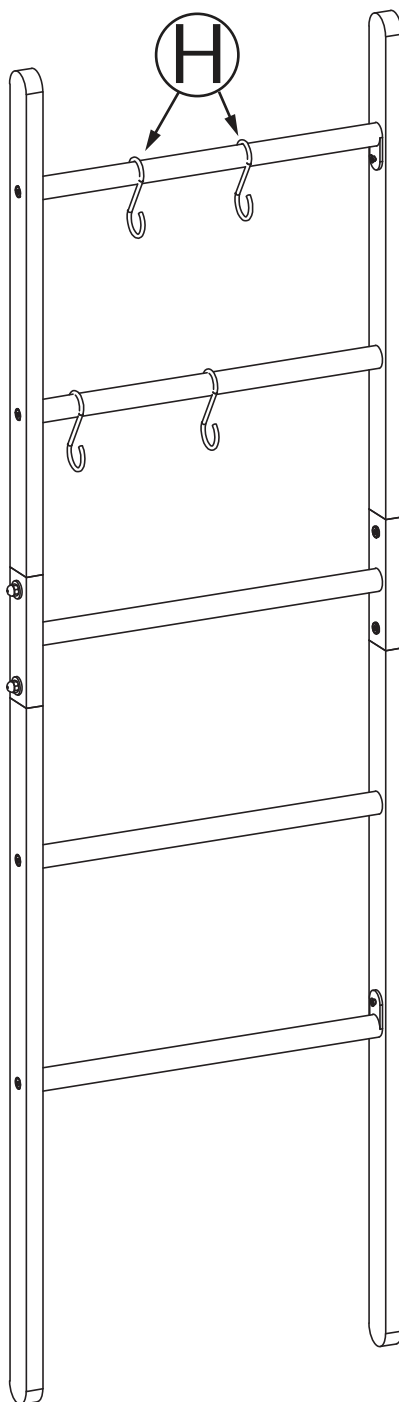
NOTE: Please read all instructions carefully before starting assembly. Also, we recommend that the unit is fully assembled on a level surface. Two people are recommended to assemble this product. DO NOT over torque screws and bolts.

3



NOTE: Please read all instructions carefully before starting assembly. Also, we recommend that the unit is fully assembled on a level surface. Two people are recommended to assemble this product. DO NOT over torque screws and bolts.

4



NOTE: Please read all instructions carefully before starting assembly. Also, we recommend that the unit is fully assembled on a level surface. Two people are recommended to assemble this product. DO NOT over torque screws and bolts.

Please check contents before assembly. If any items are missing or damaged, do not take the unit back to the store. Call (775) 629-5029 or email: [service@merryproducts.com](mailto:service@merryproducts.com) for customer service and we will save you time by correcting any problems directly for you.

NOTE: Please read all instructions carefully before starting assembly. Also, we recommend that the unit is fully assembled on a level surface. Two people are recommended to assemble this product. DO NOT over torque screws and bolts.