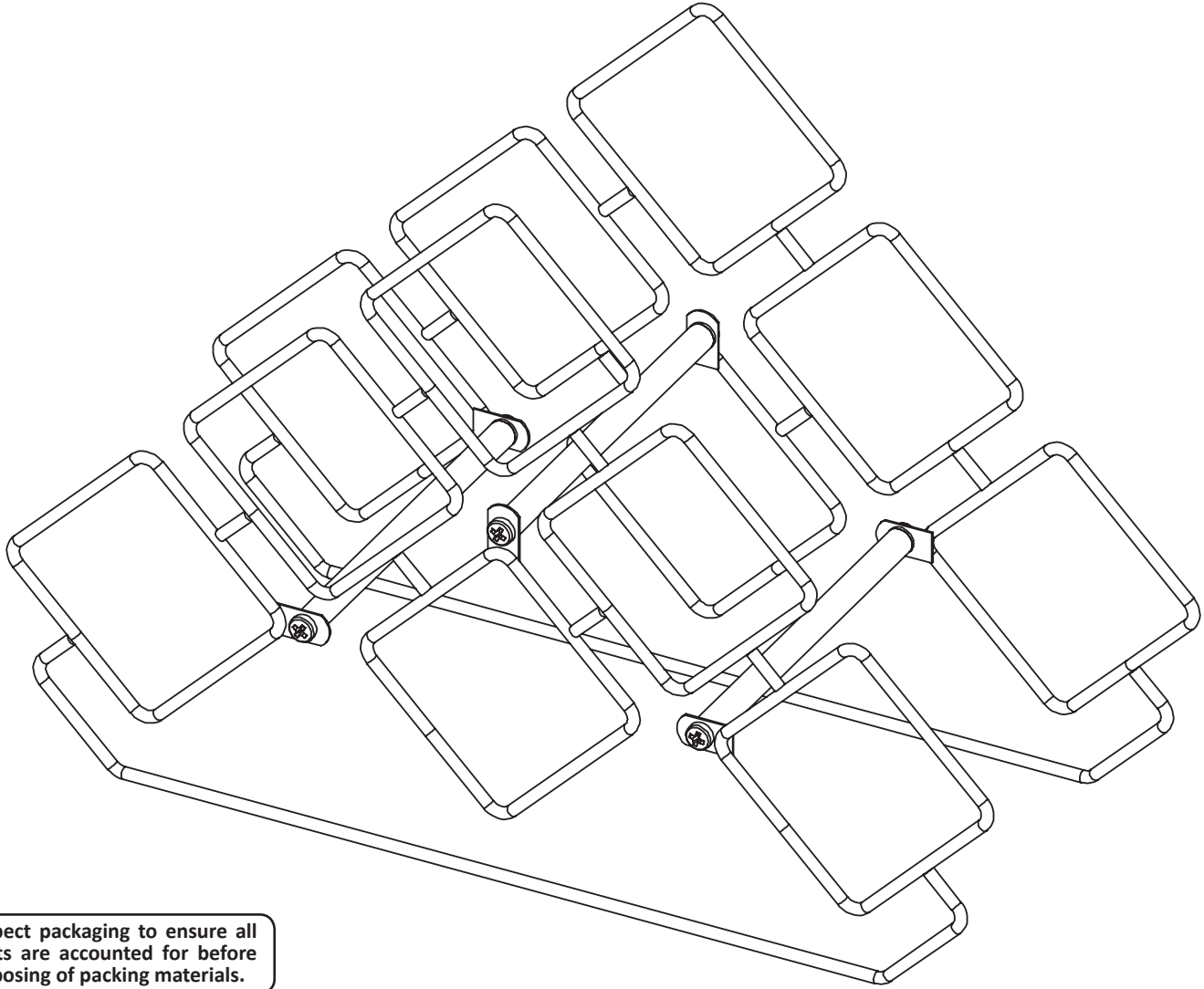
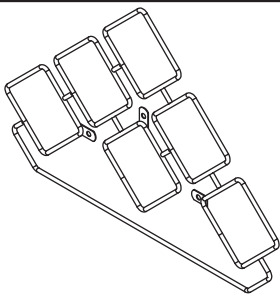
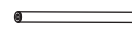




# TABLETOP WINE RACK

Carefully review assembly and care instructions before using this product. Save this document for future reference.  
**Assemble components on a soft, clean surface to avoid scratching or damaging the finish.**



Inspect packaging to ensure all parts are accounted for before disposing of packing materials.

| NO. | PARTS   | QTY. |
|-----|---|------|
| A   |  Frame (L/R)   | 2    |
| B   |  Crossbar      | 3    |
| 1   |  M6x20mm Screw | 6    |

| TOOLS REQUIRED (not included)   |
|---|
|  Phillips Screwdriver |

**⚠ WARNING ⚠**

**CHOKING HAZARD** — This item contains small parts that can be swallowed. Keep children and pets away during assembly.

# ASSEMBLY

## STEP 1

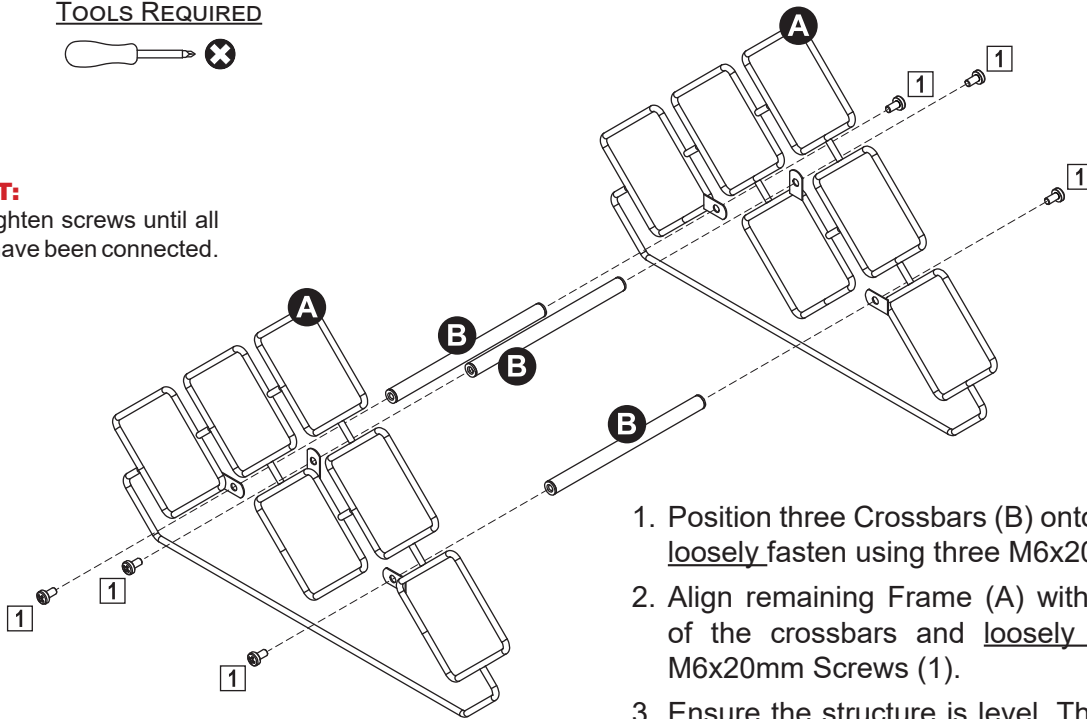
### TOOLS REQUIRED

- A: 2
- B: 3
- 1: 6



### IMPORTANT:

Do not fully tighten screws until all components have been connected.



1. Position three Crossbars (B) onto one Frame (A) and loosely fasten using three M6x20mm Screws (1).
2. Align remaining Frame (A) with the opposite sides of the crossbars and loosely fasten using three M6x20mm Screws (1).
3. Ensure the structure is level. Then, finish tightening all six screws (do not over-tighten).

## Care & Maintenance



Use a feather duster or a dry, soft cloth clean this product.



Do not clean with harsh cleansers or furniture polish.



Remove stains with a slightly damp cloth and mild soap. Dry with a soft cloth to prevent water damage.



Do not push or drag unit as doing so may damage surfaces and scratch the unit.

Always empty the unit before moving.

## ⚠ SAFETY STATEMENTS & WARNINGS ⚠

- For residential use only. Not for commercial or industrial use.
- For indoor use only.
- Ensure all fittings are tight before use. Periodically check fittings to ensure they remain tight.
- Only use this unit on a flat, level surface.
- Never use chemical cleaning products or polishes as doing so may damage the finish.
- Do not exceed the weight capacity of the unit.

**Any modification to the product or failure to follow recommended care will void the product warranty.**

*If you experience issues with assembly or the product was damaged during shipping, please contact our customer service team directly through one of the methods mentioned at the top of page 1.*

*Please have the item number and order information ready to expedite response time.*

### ⚠ WARNING:

Manufacturer and seller expressly disclaim any and all liability from personal injury, property damage or loss, whether direct or indirect, or incidental, resulting from the incorrect attachment, improper use, inadequate maintenance, or neglect of this product.