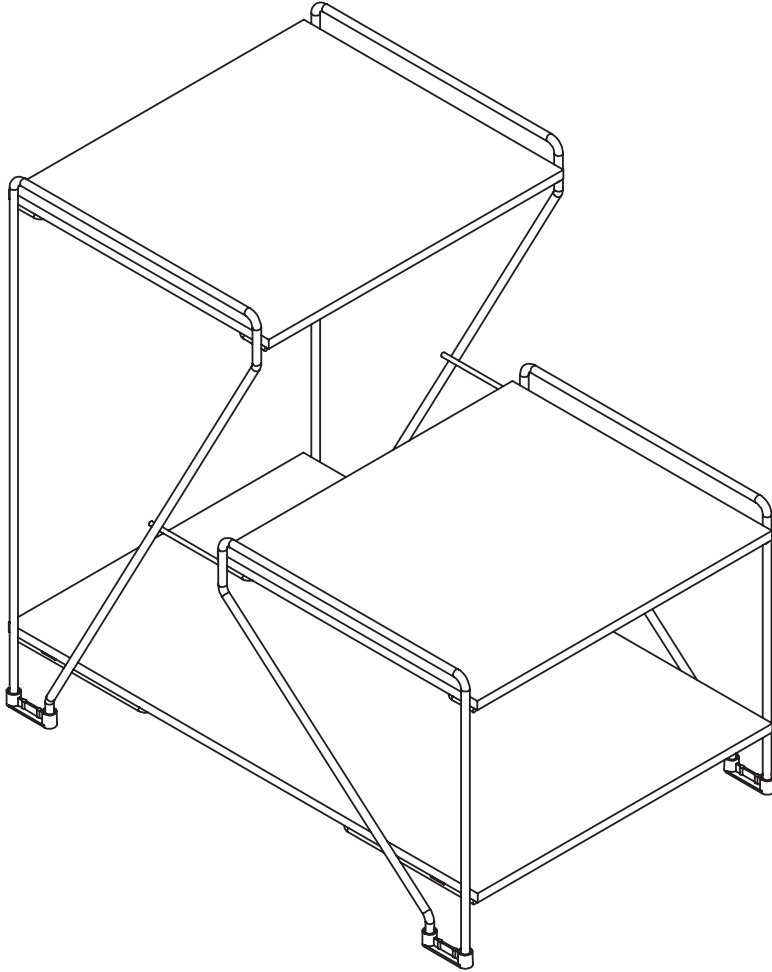
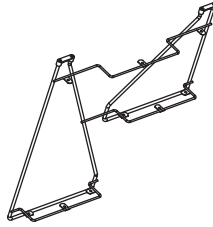
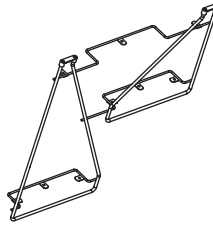
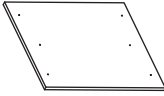
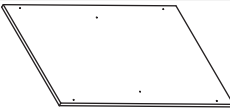




3-TIER ACCENT TABLE MTR-508

Carefully review assembly and care instructions before using this product. Save this document for future reference.
Assemble components on a soft, clean surface to avoid scratching or damaging the finish.



Inspect packaging to ensure all parts are accounted for before disposing of packing materials.

No.	COMPONENTS	QTY.
A	 Left Frame	1
B	 Right Frame	1
C	 Small Shelf	2
D	 Large Shelf	1
1	 M3.5x9.5mm Screw	18
2	 Plastic Foot	4

TOOLS REQUIRED (not included)



Phillips Screwdriver

! HELPFUL HINT

Sunnydaze Decor advises reading this manual fully, and assembling the item soon after purchase. Check that all parts are accounted for and familiarize yourself with the assembly before beginning.

Save this manual for future reference.

! WARNING !

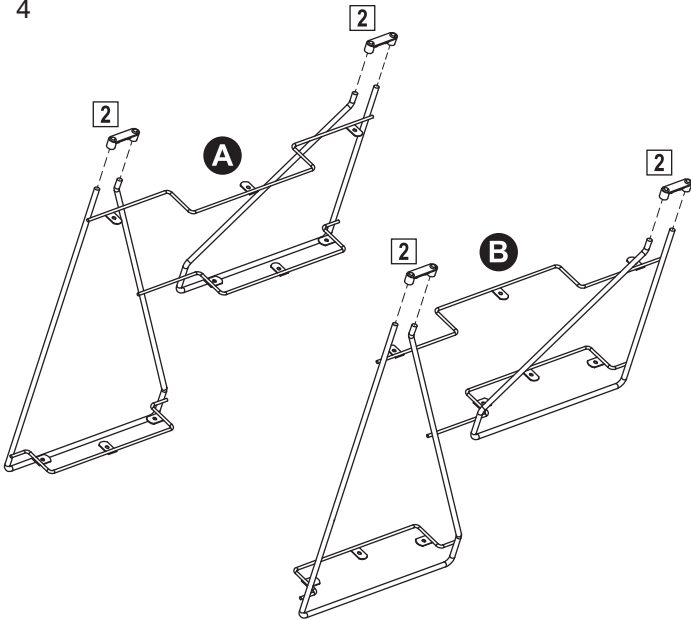
CHOKING HAZARD — This item contains small parts that can be swallowed. Keep children and pets away during assembly.

ASSEMBLY

Review all steps carefully and understand assembly before beginning.

STEP 1

- A: 1
- B: 1
- 2: 4

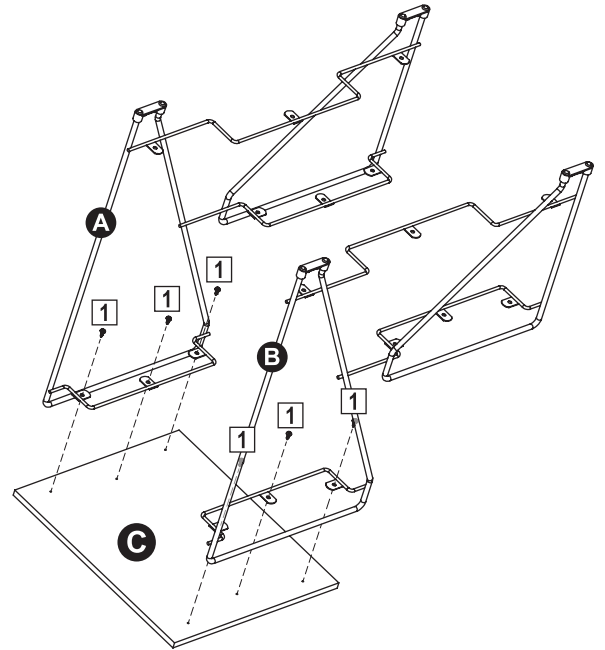


As shown, firmly push two Plastic Feet (2) onto the bottom of Left Frame (A) and two Plastic Feet (2) onto the bottom of Right Frame (B).

STEP 2

TOOLS REQUIRED

- C: 1
- 1: 6

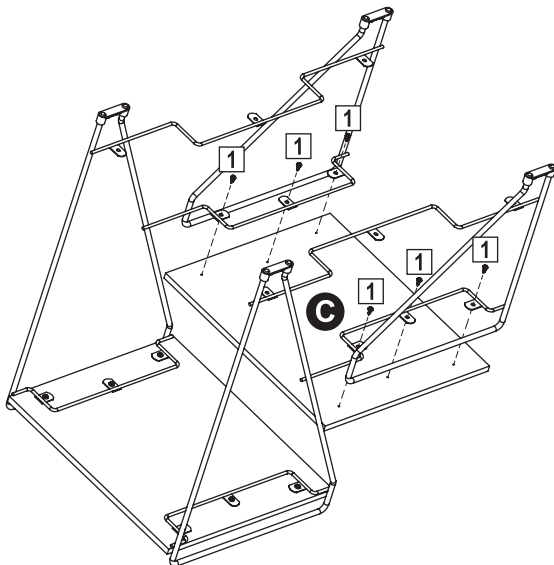


Align one Shelf (C) with the top of Frames (A,B) and secure using six M3.5x9.5mm Screws (1).

STEP 3

TOOLS REQUIRED

- D: 1
- 1: 6

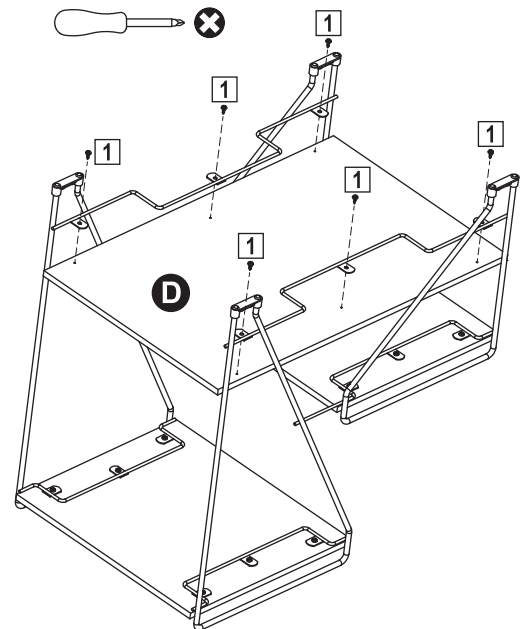


Align one Shelf (C) with the second tier of the left and right frame (A,B) and secure using six M3.5x9.5mm Screws (1).

STEP 4

TOOLS REQUIRED

- D: 1
- 1: 6



Align Bottom Shelf (D) with the bottom of the frames and secure using six M3.5x9.5mm Screws (1).

Care & Maintenance



Use a feather duster or a dry, soft cloth clean this product.



Do not clean with harsh cleansers or furniture polish.



Remove stains with a slightly damp cloth and mild soap. Dry with a soft cloth to prevent water damage.



Do not push or drag unit as doing so may damage surfaces and scratch the unit. Always remove items from the unit before moving.



Prevent damage to surfaces by wiping up spills immediately.

! SAFETY STATEMENTS & WARNINGS !

- For residential use only. Not for commercial or industrial use.
- For indoor use only.
- Ensure all fittings are tight before use. Periodically check fittings to ensure they remain tight.
- Only use this unit on a flat, level surface.
- Do not sit, stand or climb on the unit.
- Never allow children to stand, climb, or hang on any part of this unit.
- Do not place hot items or liquids directly on the furniture.
- Never use chemical cleaning products or polishes as doing so may damage the finish.
- Do not exceed the weight capacity of the furniture.
- Do not overload shelves as doing so may cause them to sag.
- Do not place the unit in direct sunlight.
- Avoid placing the unit near heating or cooling vents as forced air is very drying and can damage the unit.
- Do not write on furniture without a padded barrier to protect the surface.

Any modification to the product or failure to follow recommended care will void the product warranty.

If you experience issues with assembly or the product was damaged during shipping, please contact our customer service team directly through one of the methods mentioned at the top of page 1.

Please have the item number and order information ready to expedite response time.

! WARNING:

Manufacturer and seller expressly disclaim any and all liability from personal injury, property damage or loss, whether direct or indirect, or incidental, resulting from the incorrect attachment, improper use, inadequate maintenance, or neglect of this product.