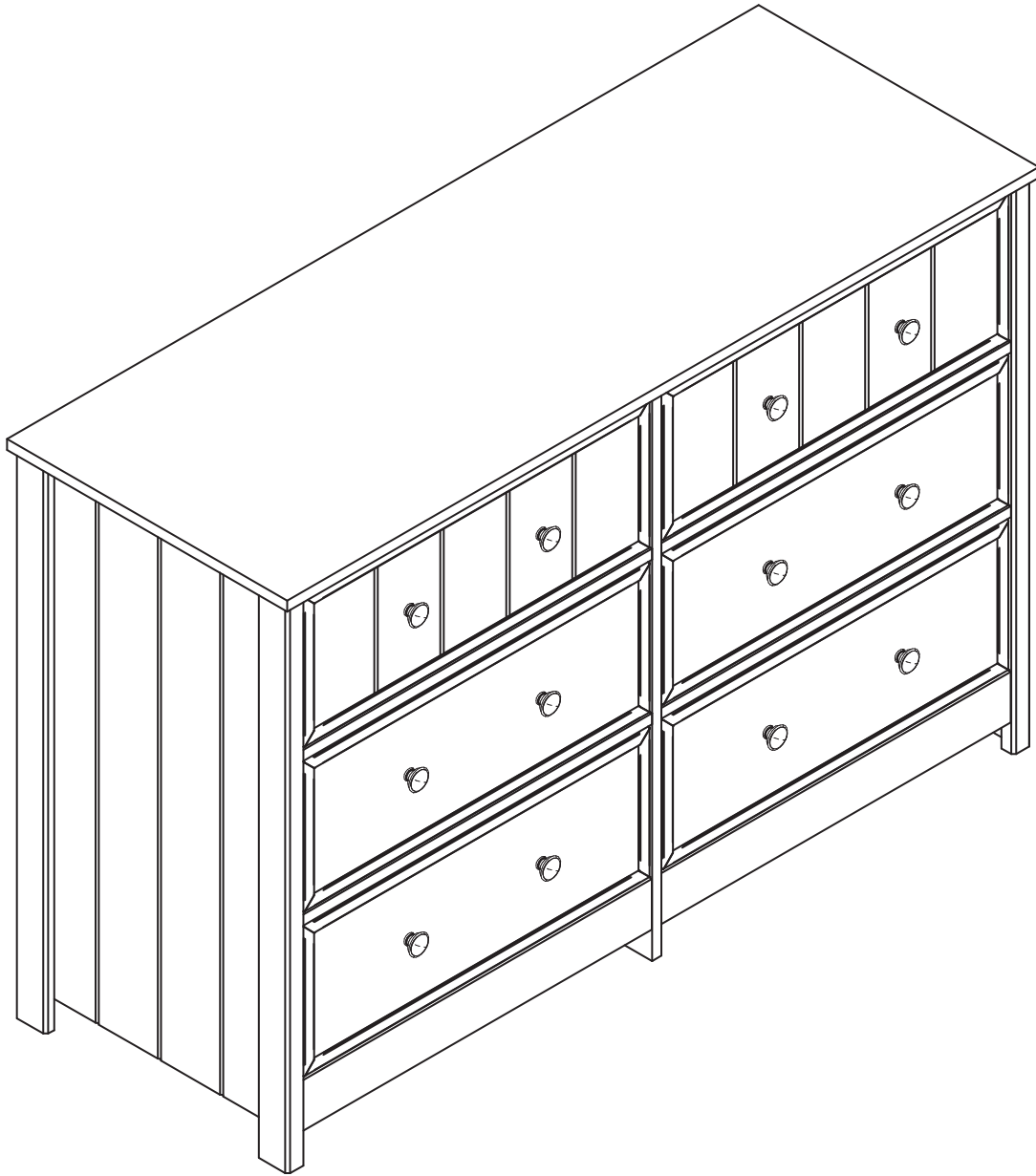


BEADBOARD 6-DRAWER DRESSER DTA-317

Carefully review assembly and care instructions before using this product. Save this document for future reference.
Assemble components on a soft, clean surface to avoid scratching or damaging the finish.



2-PERSON
ASSEMBLY
RECOMMENDED

! HELPFUL HINTS

Sunnydaze Decor advises reviewing this manual fully, and assembling the unit soon after purchase. Check that all parts are accounted for and familiarize yourself with the assembly before beginning.

SAVE THIS MANUAL FOR FUTURE REFERENCE.

INTRODUCTION

Read the manual carefully to ensure you fully understand all use, care, assembly, and safety information.



Read this manual carefully and follow the assembly instructions in the order listed. Pay close attention to assembly drawings.



Regularly clean with a clean microfiber cloth to prevent dust accumulation.



Do not paint the unit.
Do not use abrasive materials or cleaners to clean the furniture; only use a slightly moistened cloth.



Indoor use only.
Do not expose the furniture to heat or humidity.



When cleaning nearby the furniture, do not allow contact with water or cleaners as it may deteriorate the furniture.



Do not allow metal components to come in contact with water or cleaners as it may cause rust and staining.



Never open more than one drawer at a time.
Place heaviest items in the lowest drawers.



Assemble on a soft, flat, clean, and dry surface.



Use a soft, protective barrier when assembling the furniture.

TIP: Use the box carton as a protective layer to separate and protect the parts from scratches and other damage during assembly.



Do not push or drag furniture as doing so may damage the unit.
Only move furniture when it is empty.

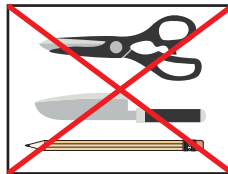


Always ask for help when moving furniture.



Avoid Accidents - Do not climb, sit or stand on the furniture.

Do not allow children to play on or inside the furniture.



Keep sharp objects away as they may scratch or damage the unit.
Do not use the furniture as a writing surface without a padded barrier.

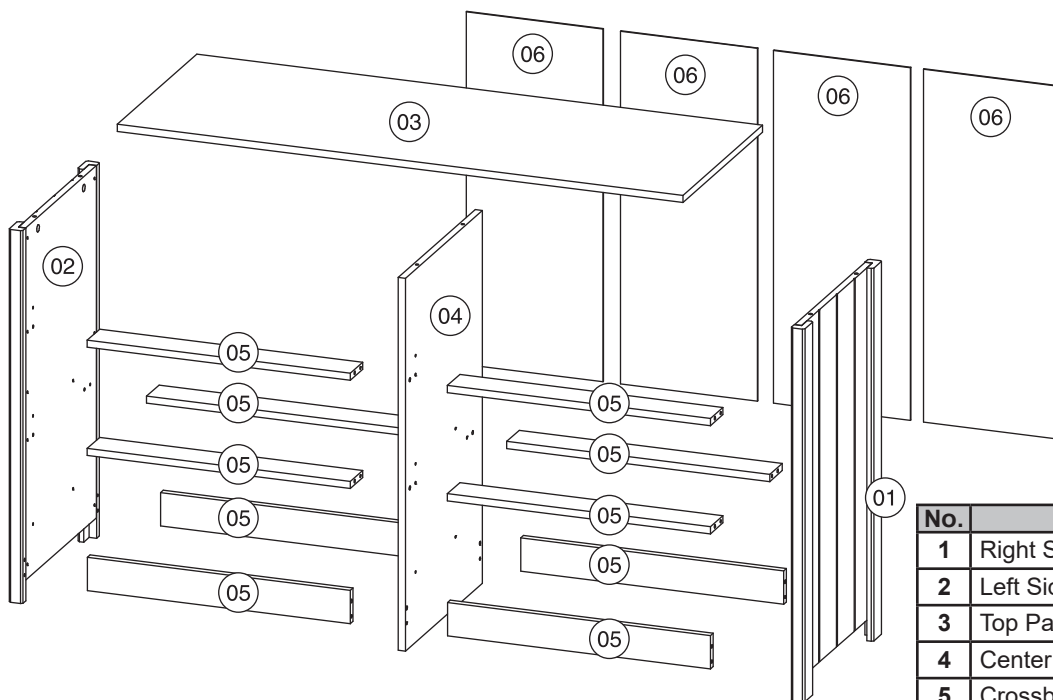


Never put a TV on this product.

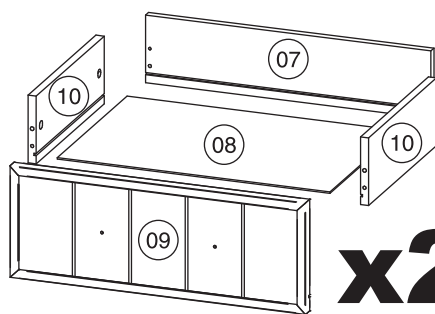
! NOTICE:

Manufacturer and seller expressly disclaim any and all liability from personal injury, property damage or loss, whether direct or indirect, or incidental, resulting from the incorrect attachment, improper use, inadequate maintenance, or neglect of this product.

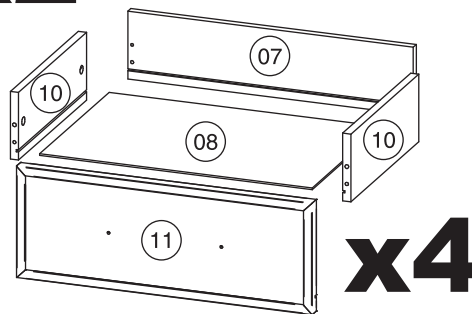
COMPONENTS



Inspect packaging to ensure all parts are accounted for before disposing of packing materials.



x2



x4



TOOLS REQUIRED (not included)

Phillips Screwdriver	Rubber Mallet	Hammer	Power Drill with Bit

⚠ WARNING ⚠

CHOKING HAZARD — This item contains small parts that can be swallowed. Keep children and pets away during assembly.

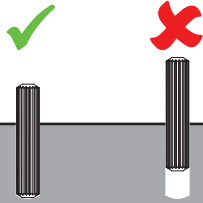
No.	PART NAME	QTY.
1	Right Side Panel	1
2	Left Side Panel	1
3	Top Panel	1
4	Center Panel	1
5	Crossbeam	10
6	Back Panel	4
7	Drawer Back	6
8	Drawer Bottom	6
9	Beadboard Drawer Front	2
10	Drawer Side Panel (L/R)	12
11	Drawer Front	4

No.	HARDWARE	QTY.
A	30mm Wood Dowel	34
B	Plastic Foot	6
C	M3.5x14mm Flat Screw	70
D	M6x8mm Set Screw	24
DE	M5x50mm Screw	1
E	M4x10mm Screw	12
F	Cam Screw	40
G	Cam Lock	50
H	M1.5X22mm Nail	46
HE	Angle Bracket	1
I	Knob	12
J	Mending Wedge	24
L	Wall Anchor	1
L1	Left Drawer Slide Track	6
L2	Left Drawer Slide	6
M	H-Channel	2
O	50mm Wood Dowel	5
P	Double-End Cam Bolt	5
Q	Mending Plate	8
R1	Right Drawer Slide Track	6
R2	Right Drawer Slide	6

⚠ IMPORTANT INSTALLATION INFORMATION ⚠

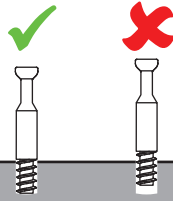
For the stability of the unit, it is important that furniture connectors are installed correctly. See drawings and tips below for proper installation.

Wood Dowel



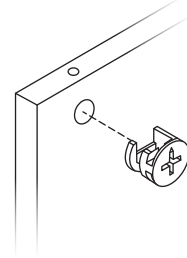
Install wood dowels by gently tapping them into the designated hole using a rubber mallet.

Cam Screw



Use a screwdriver to tighten the cam screw until the shoulder is flush with the panel. Do not over-tighten or under-tighten.

Cam Lock



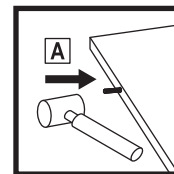
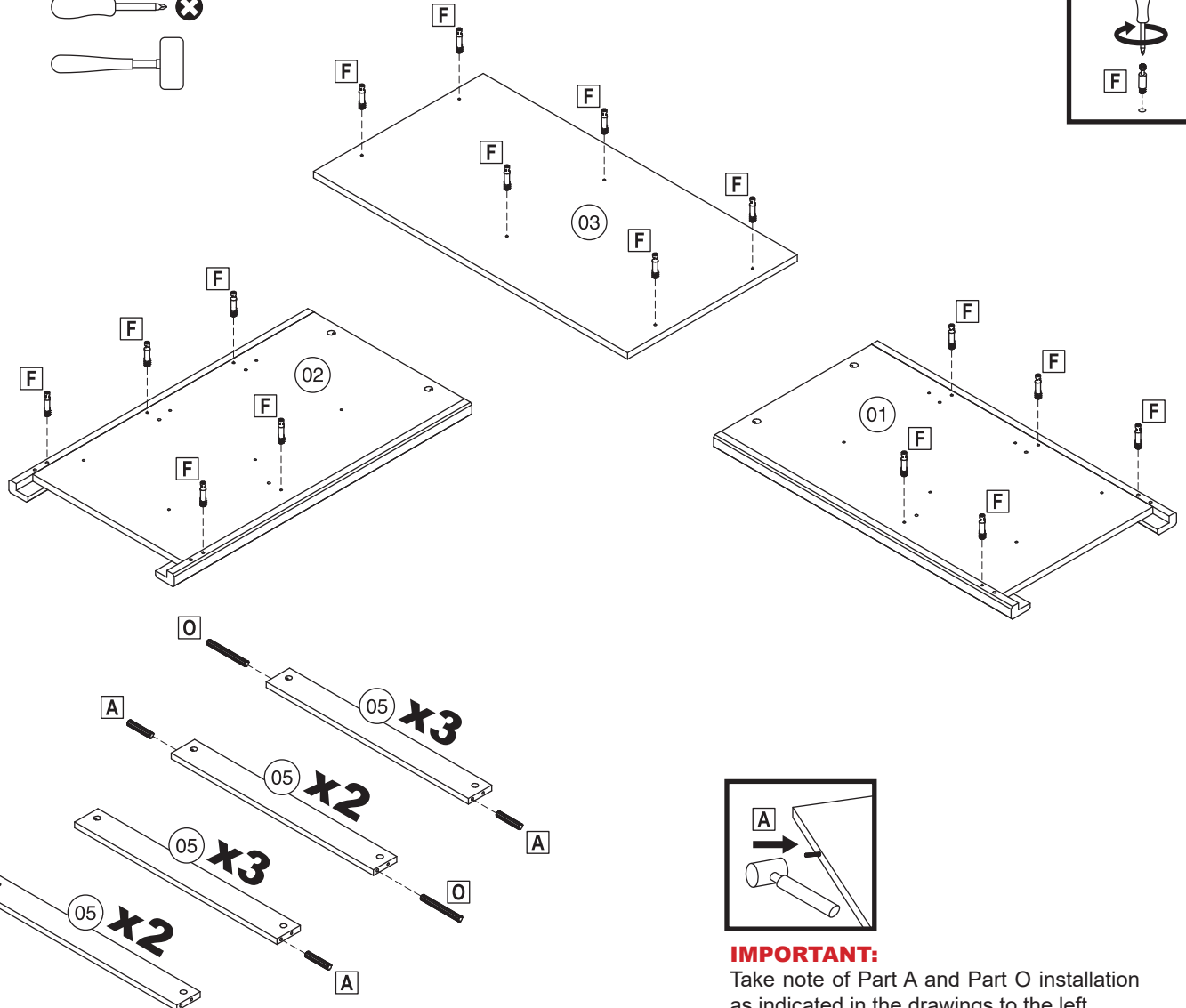
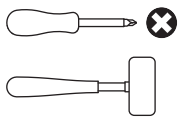
Align the cam lock opening (arrow) with the pre-drilled hole on the side of the panel. Use a screwdriver to adjust alignment as needed.

ASSEMBLY

STEP 1

TOOLS REQUIRED

- 01: 1
- 02: 1
- 03: 1
- 05: 10
- A: 10
- F: 16
- O: 5



IMPORTANT:

Take note of Part A and Part O installation as indicated in the drawings to the left.

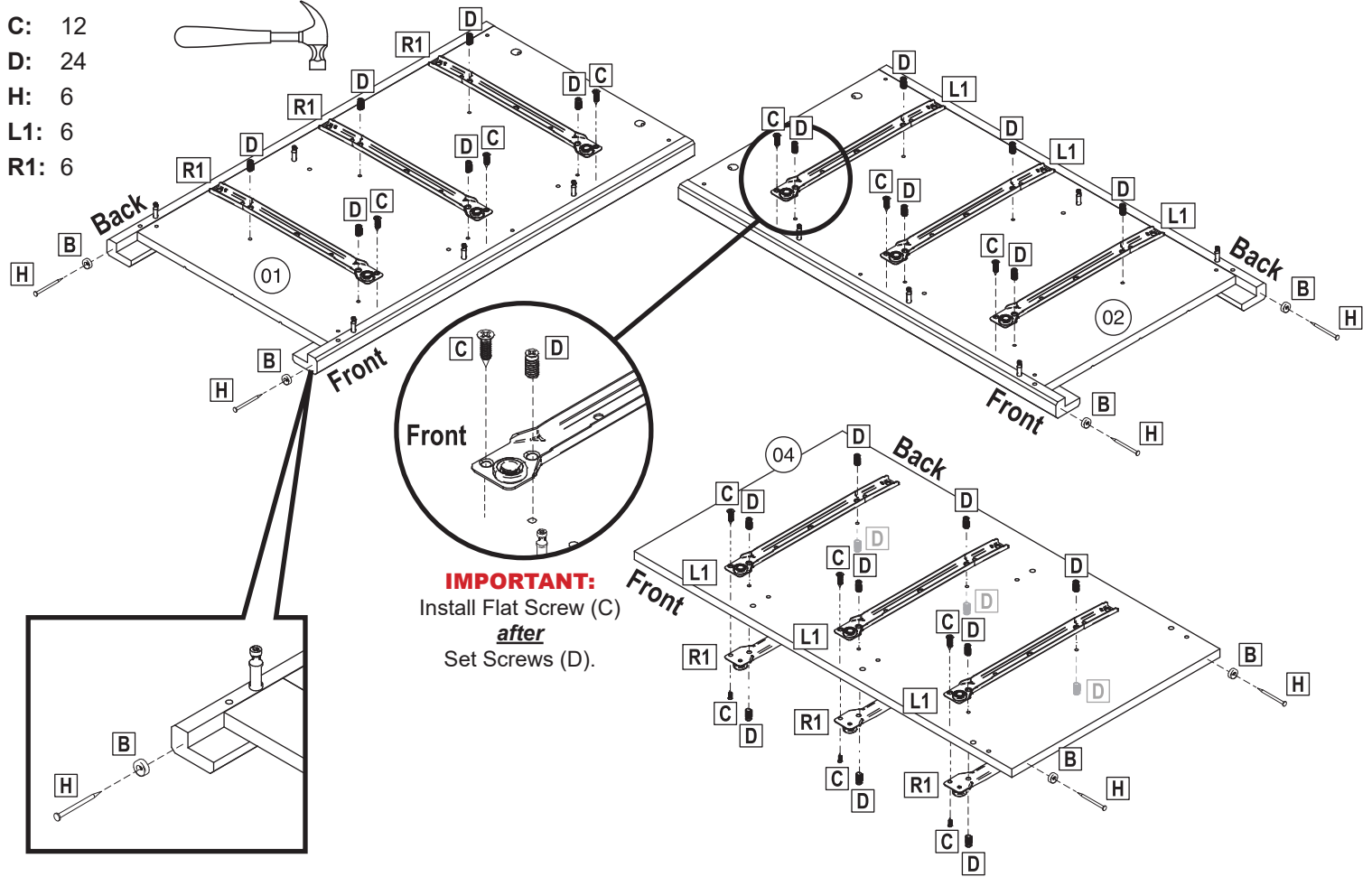
STEP 2 TOOLS REQUIRED

- 04: 1
- B: 6
- C: 12
- D: 24
- H: 6
- L1: 6
- R1: 6



IMPORTANT:

Ensure the slide tracks are installed in the correct direction, as indicated in the drawings.



IMPORTANT:

Install Flat Screw (C)
after
Set Screws (D).

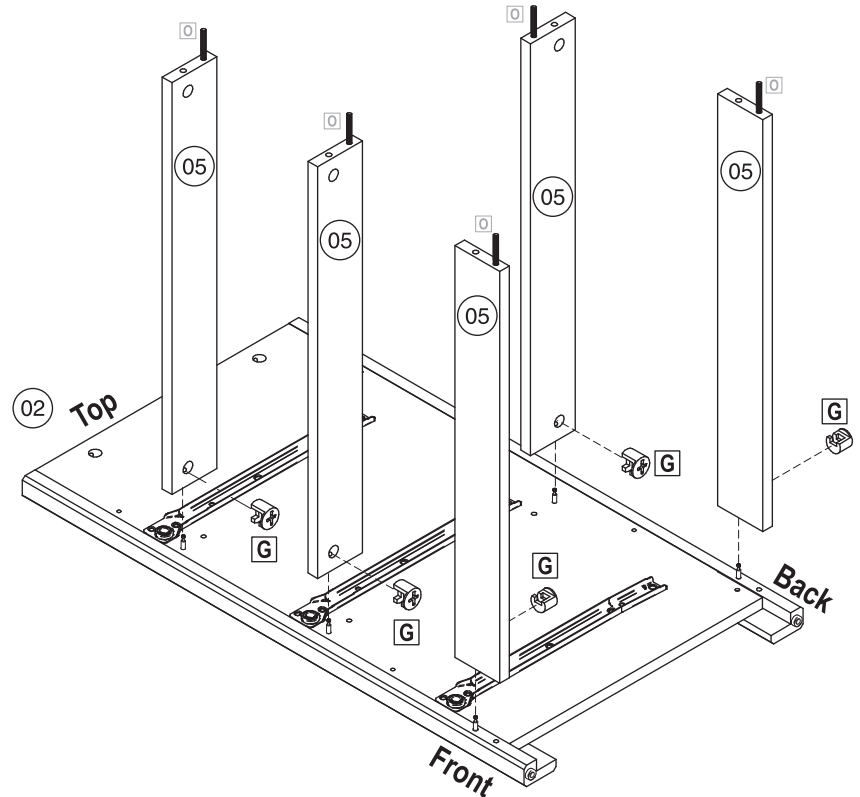
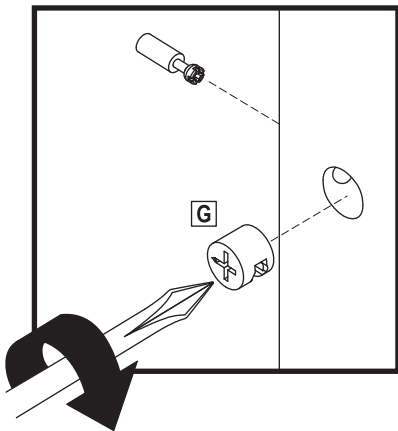
STEP 3 TOOLS REQUIRED

- G: 5



IMPORTANT:

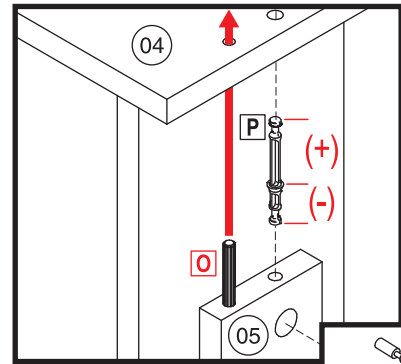
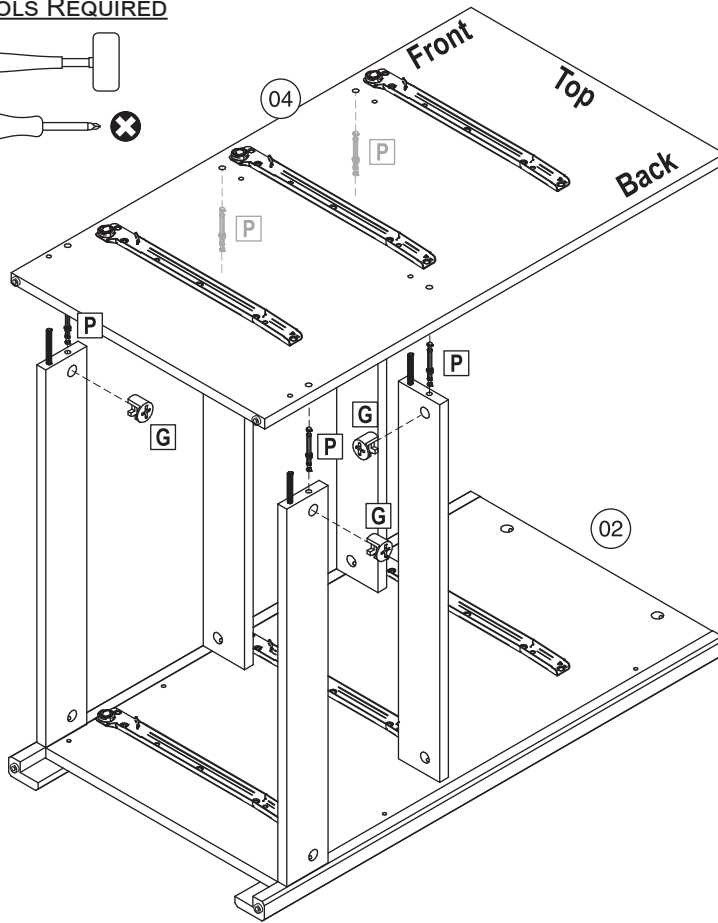
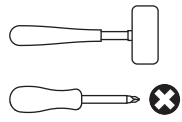
This step uses the five Crossbeams (5) that have Long Dowel (O) installed into one end. Ensure the crossbeams are installed in the correct direction, as indicated in the drawing.



STEP 4 TOOLS REQUIRED

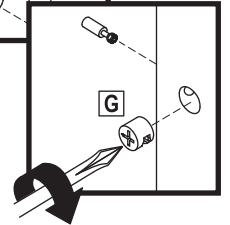
G: 5

P: 5



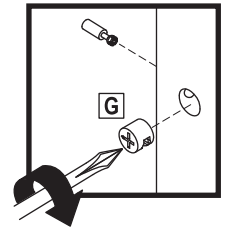
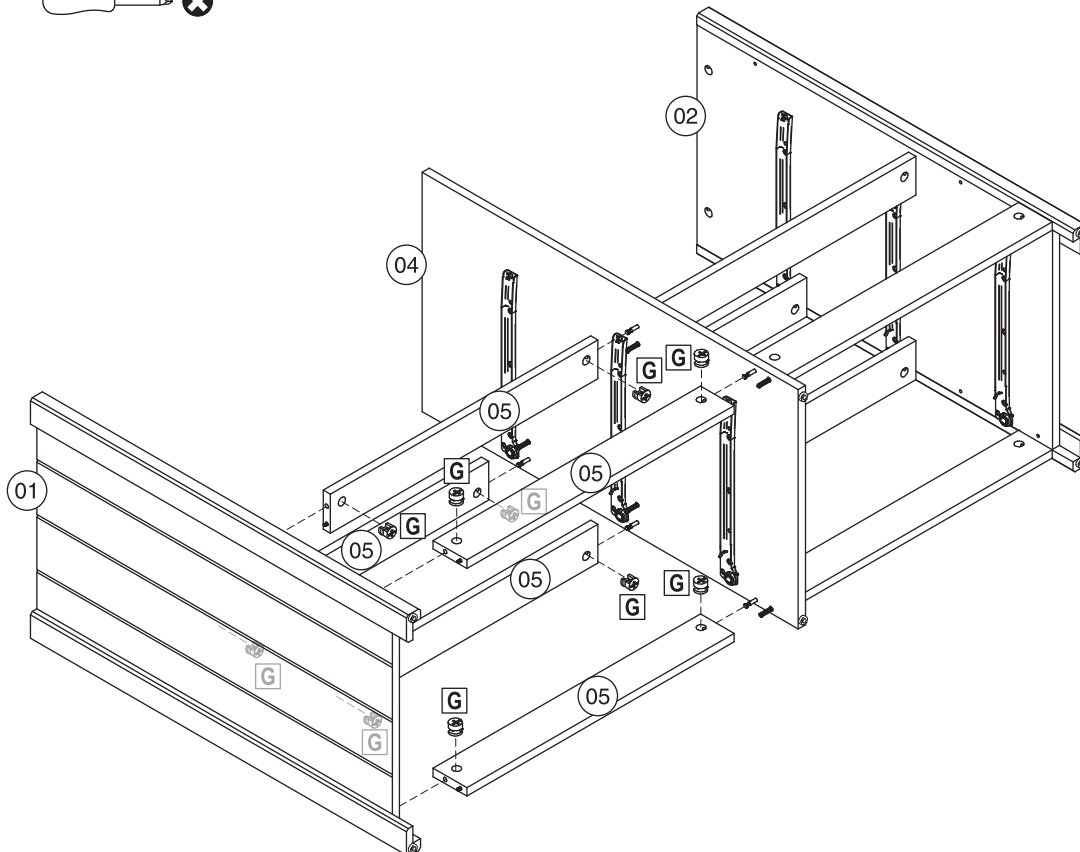
IMPORTANT:

Ensure the short end of Double Cam Bolt (P) is installed into the crossbeam, and the long end installs through Center Panel (4), as indicated in the diagram.



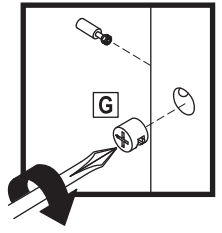
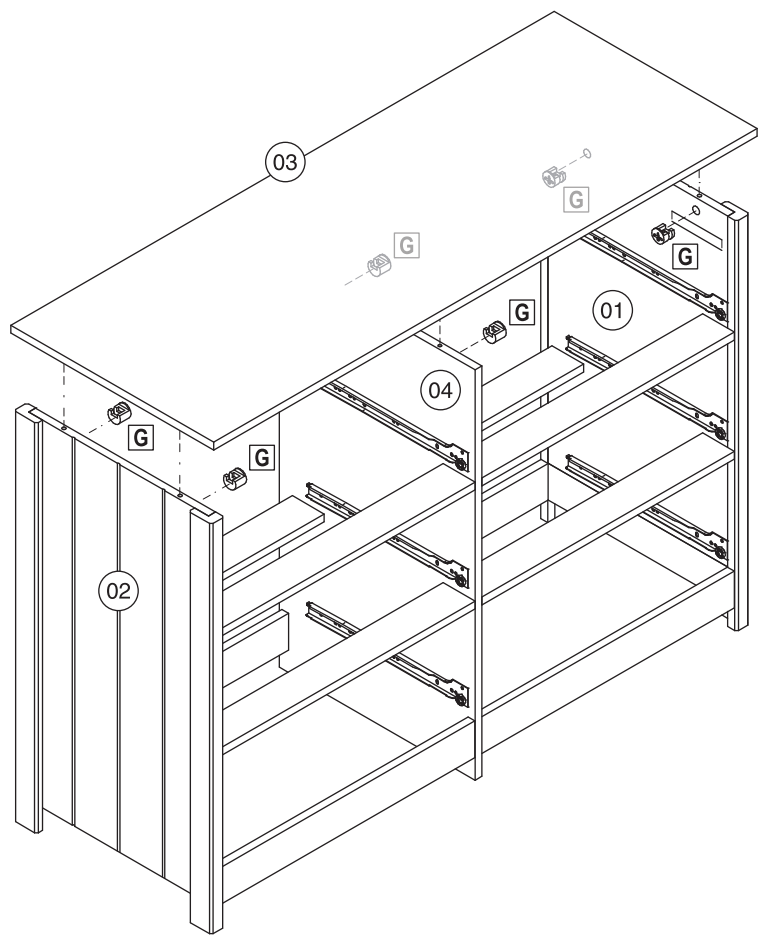
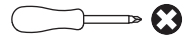
STEP 5 TOOLS REQUIRED

G: 10



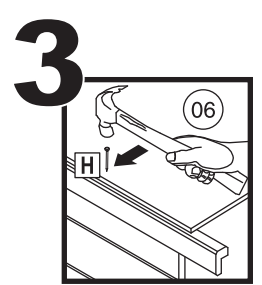
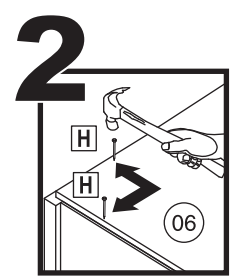
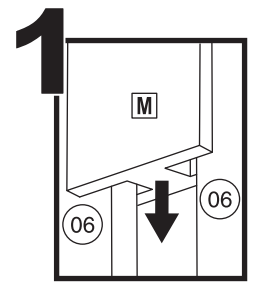
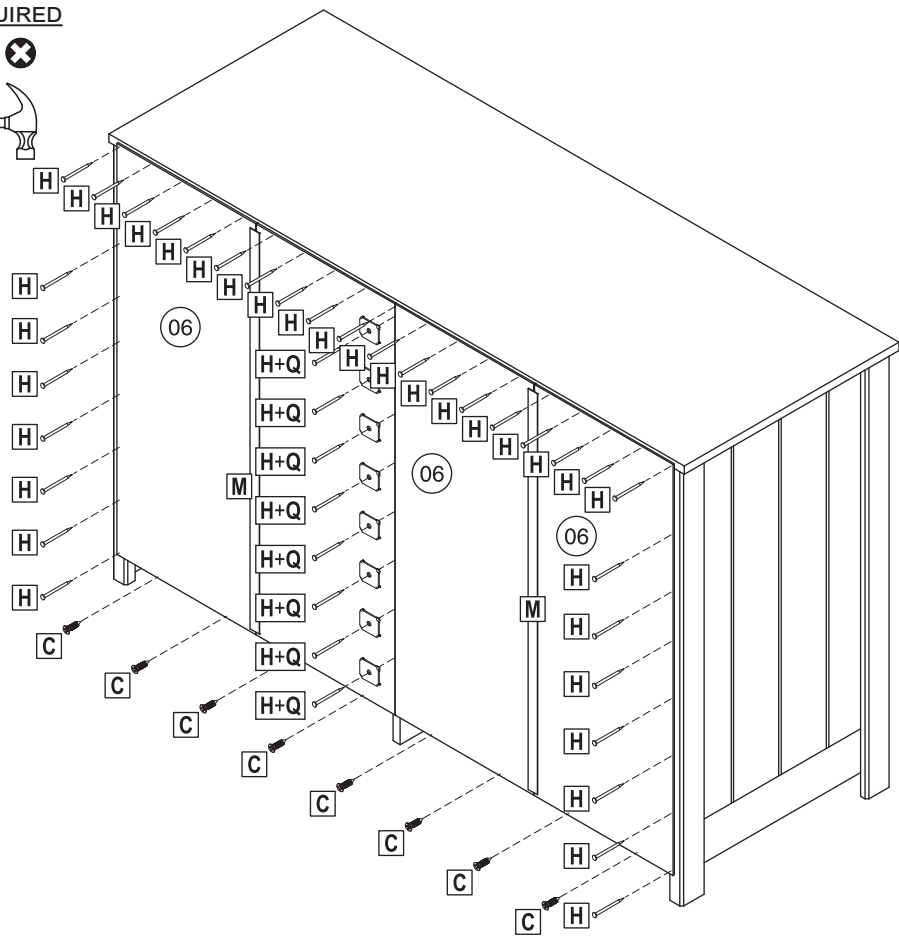
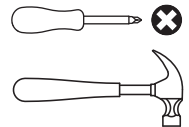
STEP 6 TOOLS REQUIRED

G: 6



STEP 7 TOOLS REQUIRED

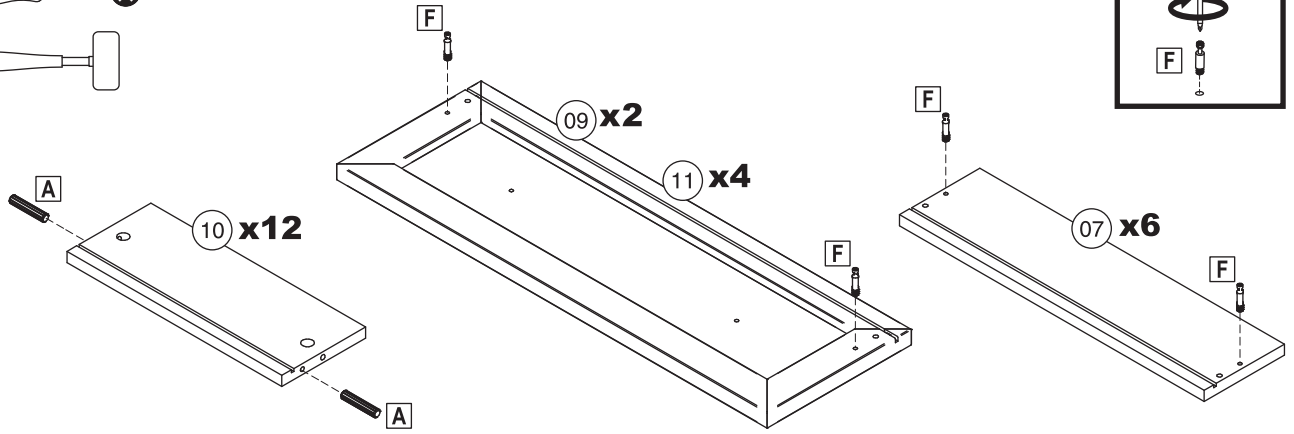
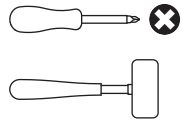
06: 4
C: 8
H: 40
M: 2
Q: 8



STEP 8

TOOLS REQUIRED

- 07: 6
- 09: 2
- 10: 12
- 11: 4
- A: 24
- F: 24



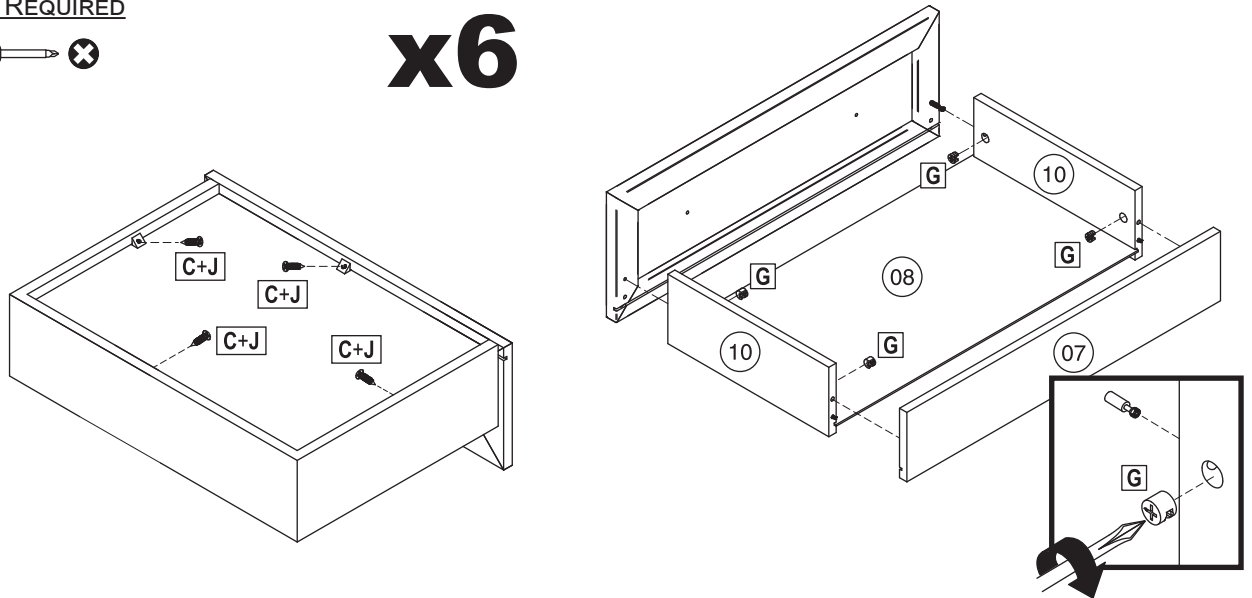
STEP 9

TOOLS REQUIRED

- 08: 6
- C: 24
- G: 24
- J: 24



x6



STEP 10

TOOLS REQUIRED

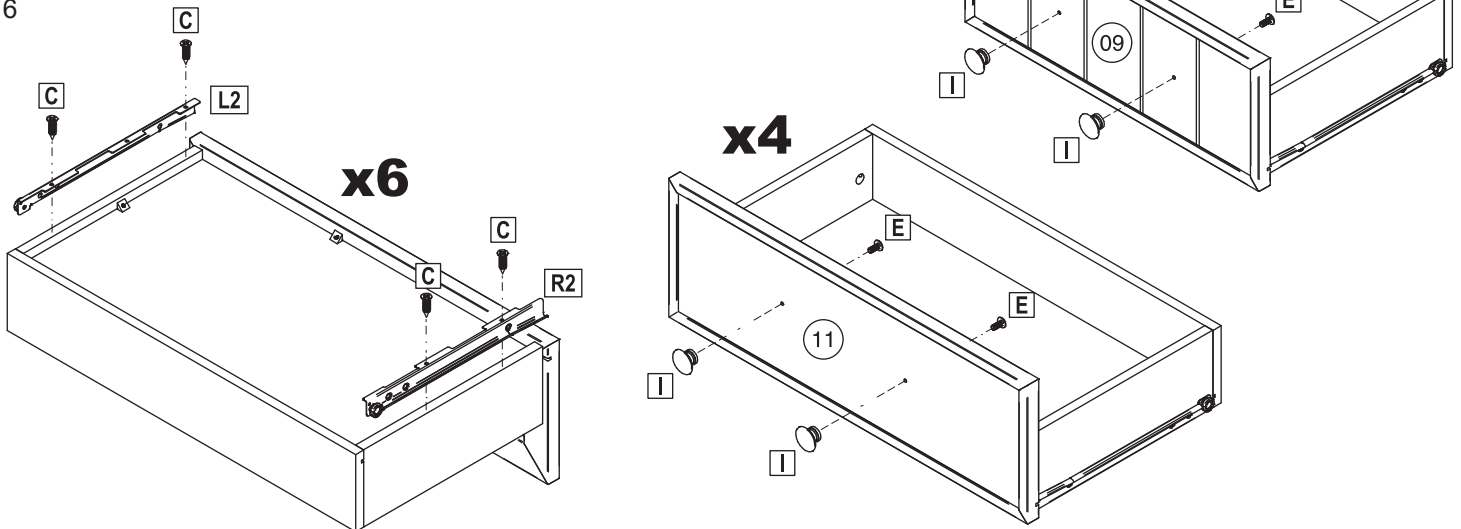
- C: 24
- E: 12
- I: 12
- L2: 6
- R2: 6



IMPORTANT:

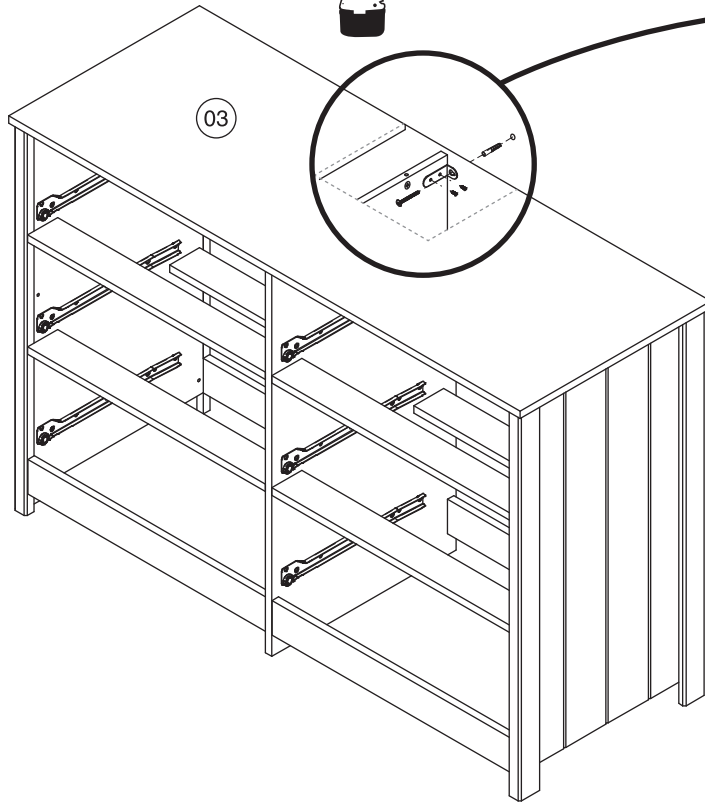
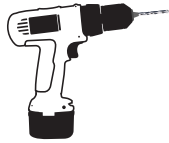
Ensure the slide tracks are flush with the drawer front, and installed in the correct direction, as indicated in the left drawing.

x2

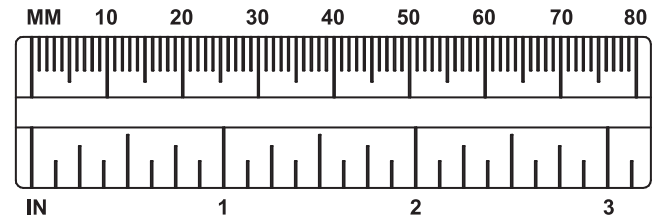


STEP 11 TOOLS REQUIRED

C: 2
DE: 1
HE: 1
L: 1



Assistance required for moving the furniture.



WARNING:

Check for pipes and electrical wiring before drilling. When in doubt, consult a certified professional.

IMPORTANT:

Carefully measure the location of pilot hole before drilling and installing the wall anchor.

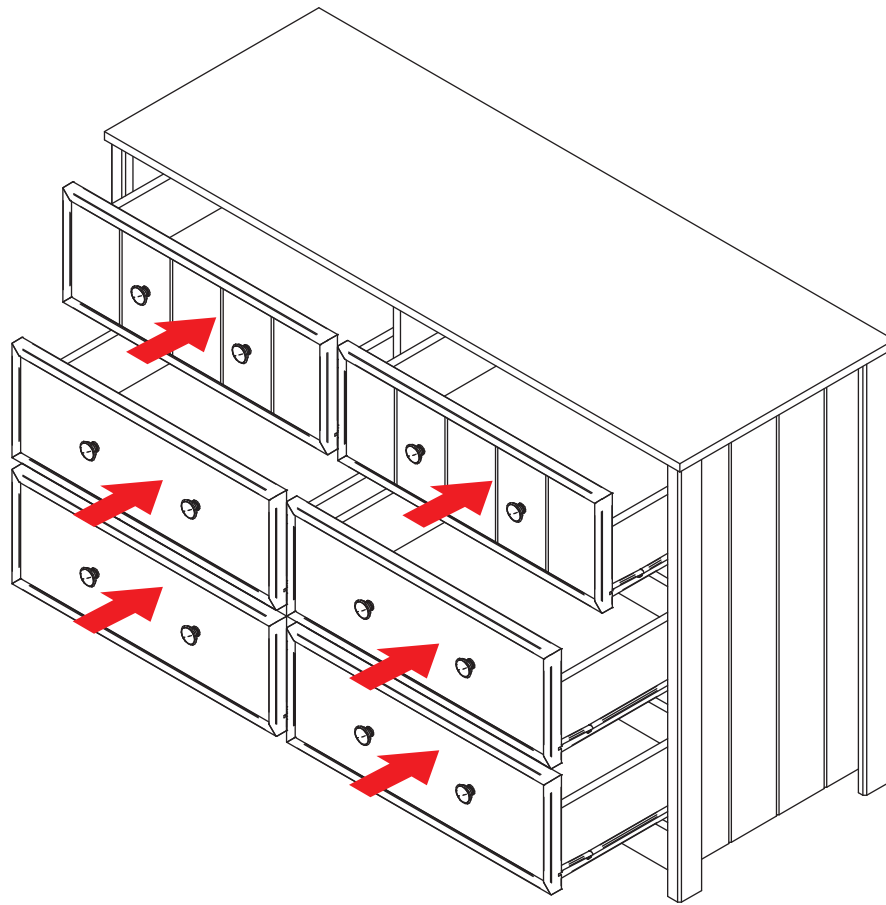
Tipover Restraint Installation

- Ensuring it is at least 20mm from the top of the unit and flush with the back panel, fasten Angle Bracket (HE) to the divider panel using two M3.5x14mm Flat Screws (C).
- Place the unit against the wall and slowly drill a pilot hole through the hole in the angle bracket and into the wall. **IMPORTANT:** Ensure the pilot hole depth does not exceed the length of the wall anchor.
- Move the unit away from the wall. Insert the wall anchor into the pilot hole until the opening of the anchor is flush with the wall. The wall anchor must be well fitted and tight in the pilot hole.
- With assistance, realign the unit with the wall, ensuring the angle bracket aligns with the wall anchor. Use M5x50mm Screw (DE) to secure the bracket to the wall anchor.

NOTICE:

Manufacturer and seller expressly disclaim any and all liability from personal injury, property damage or loss, whether direct or indirect, or incidental, resulting from the incorrect attachment, improper use, inadequate maintenance, or neglect of this product.

STEP 12



! SAFETY STATEMENTS & WARNINGS !

- For residential use only. Not for commercial or industrial use.
- For indoor use only.
- Ensure all fittings are tight before use. Periodically check fittings to ensure they remain tight.
- Only use this unit on a flat, level surface.
- Do not sit, stand or climb on the unit.
- Never allow children to stand, climb, or hang on drawers, doors, or shelves.
- Never put a television on this product.
- Do not place liquids or hot items directly on the furniture.
- Never use chemical cleaning products or polishes as doing so may damage the finish.
- Do not exceed the weight capacity of the furniture.
- Do not overload the drawers as doing so may cause permanent damage.
- To prevent tipping, place heaviest items in the lowest drawers and never open more than one drawer at a time.
- Do not place the unit in direct sunlight.
- Avoid placing the unit near heating or cooling vents as forced air is very drying and can damage the unit.
- Do not write on furniture without a padded barrier to protect the surface.

Any modification to the product or failure to follow recommended care will void the product warranty.

If you experience issues with assembly or the product was damaged during shipping, please contact our customer service team directly through one of the methods mentioned at the top of page 1.

Please have the item number and order information ready to expedite response time.

! WARNING:

Manufacturer and seller expressly disclaim any and all liability from personal injury, property damage or loss, whether direct or indirect, or incidental, resulting from the incorrect attachment, improper use, inadequate maintenance, or neglect of this product.