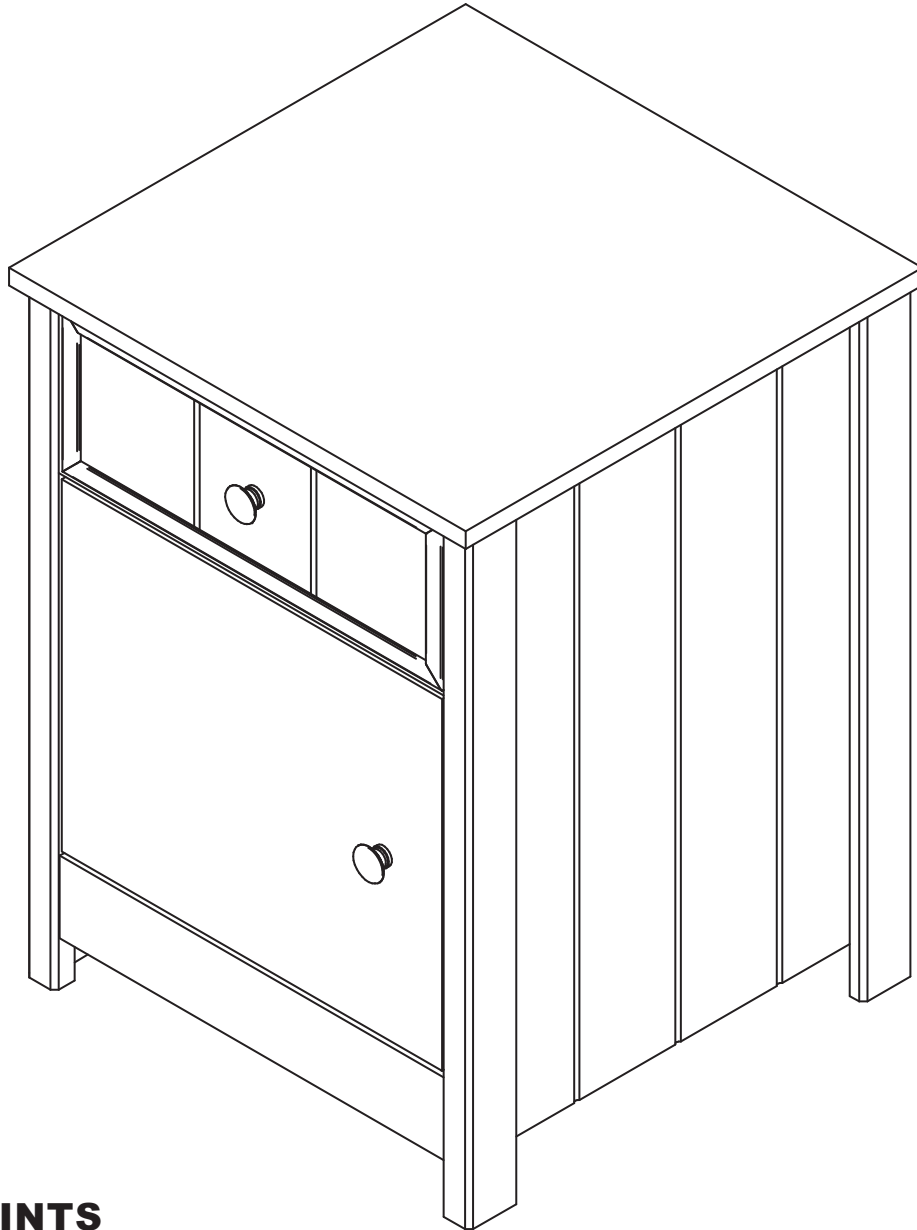


BEADBOARD SIDE TABLE WITH DRAWER DTA-294

Carefully review assembly and care instructions before using this product. Save this document for future reference.
Assemble components on a soft, clean surface to avoid scratching or damaging the finish.



! HELPFUL HINTS

Sunnydaze Decor advises reviewing this manual fully, and assembling the unit soon after purchase. Check that all parts are accounted for and familiarize yourself with the assembly before beginning.

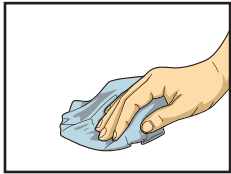
SAVE THIS MANUAL FOR FUTURE REFERENCE.

INTRODUCTION

Read the manual carefully to ensure you fully understand all use, care, assembly, and safety information.



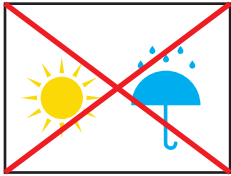
Read this manual carefully and follow the assembly instructions in the order listed. Pay close attention to assembly drawings.



Regularly clean with a clean microfiber cloth to prevent dust accumulation.



Do not paint the unit. Do not use abrasive materials or cleaners to clean the furniture; only use a slightly moistened cloth.



Indoor use only. Do not expose the furniture to heat or humidity.



When cleaning nearby the furniture, do not allow contact with water or cleaners as it may deteriorate the furniture.

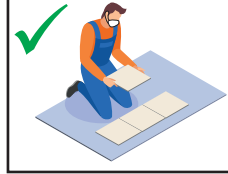


Do not allow metal components to come in contact with water or cleaners as it may cause rust and staining.



Assemble on a soft, flat, clean, and dry surface.

Use a soft, protective barrier when assembling the furniture.



TIP: Use the box carton as a protective layer to separate and protect the parts from scratches and other damage during assembly.



Do not push or drag furniture as doing so may damage the unit.

Only move furniture when it is empty.

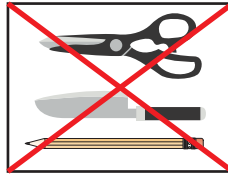


Always ask for help when moving furniture.



Avoid Accidents - Do not climb, sit or stand on the furniture.

Do not allow children to play on or inside the furniture.



Keep sharp objects away as they may scratch or damage the unit.

Do not use the furniture as a writing surface without a padded barrier.

IMPORTANT: Take care not to over-tighten screws as doing so may crack the wood or strip the screw hole, causing a weak connection and reduced stability.

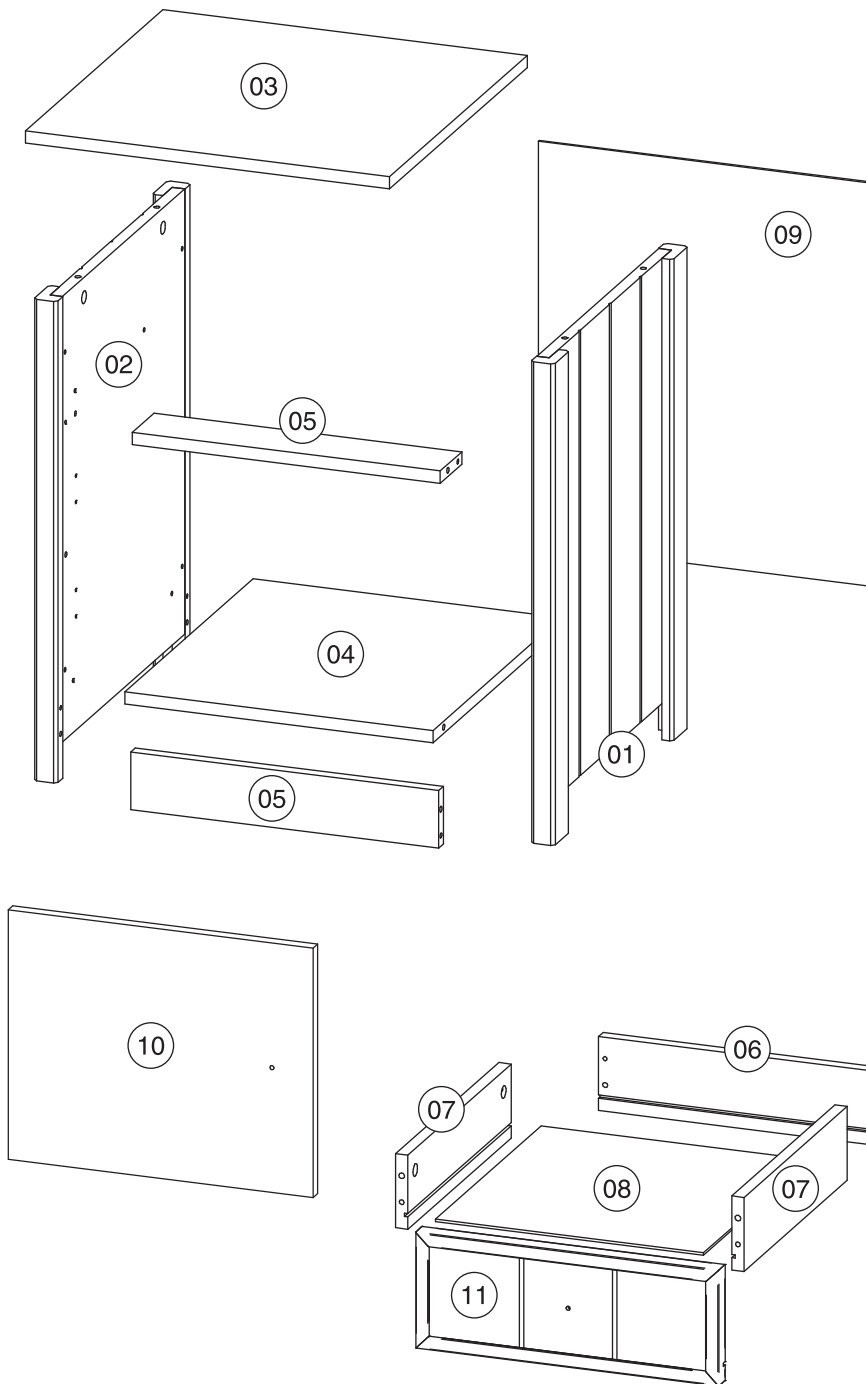
NOTICE:

Manufacturer and seller expressly disclaim any and all liability from personal injury, property damage or loss, whether direct or indirect, or incidental, resulting from the incorrect attachment, improper use, inadequate maintenance, or neglect of this product.

COMPONENTS



Inspect packaging to ensure all parts are accounted for before disposing of packing materials.



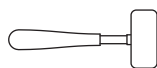
No.	PART NAME	QTY.
1	Right Side Panel	1
2	Left Side Panel	1
3	Tabletop	1
4	Bottom Shelf	1
5	Crossbeam	2
6	Drawer Back	1
7	Drawer Side Panel (L/R)	2
8	Drawer Bottom	1
9	Back Panel	1
10	Door	1
11	Drawer Front	1

No.	HARDWARE	QTY.
A	Wood Dowel	8
B	Plastic Foot	4
C	M3.5x14mm Flat Screw	16
D	M6x10mm Set Screw	4
E	M4x10mm Screw	1
F	Cam Screw	16
G	Cam Lock	16
H	M1.5X22mm Nail	25
I	Knob	2
J	Mending Wedge	4
K	Hinge Set	2
L1	Left Drawer Slide Track	1
L2	Left Drawer Slide	1
M	Silicone Backstop	1
N	Guide Pin	1
O	M4x20mm Screw	1
R1	Right Drawer Slide Track	1
R2	Right Drawer Slide	1

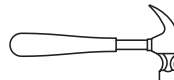
TOOLS REQUIRED (not included)



Phillips Screwdriver



Rubber Mallet



Hammer

⚠ WARNING ⚠

CHOKING HAZARD — This item contains small parts that can be swallowed. Keep children and pets away during assembly.

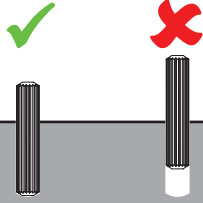
⚠ NOTICE:

Manufacturer and seller expressly disclaim any and all liability from personal injury, property damage or loss, whether direct or indirect, or incidental, resulting from the incorrect attachment, improper use, inadequate maintenance, or neglect of this product.

⚠ IMPORTANT INSTALLATION INFORMATION ⚠

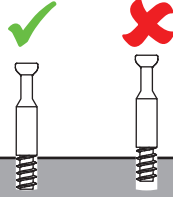
For the stability of the unit, it is important that furniture connectors are installed correctly. See drawings and tips below for proper installation.

Wood Dowel



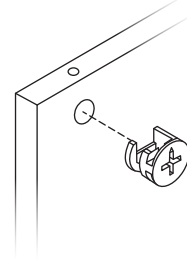
Install wood dowels by gently tapping them into the designated hole using a rubber mallet.

Cam Screw



Use a screwdriver to tighten the cam screw until the shoulder is flush with the panel. Do not over-tighten or under-tighten.

Cam Lock



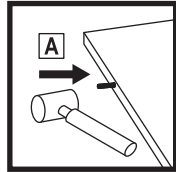
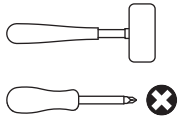
Align the cam lock opening (arrow) with the pre-drilled hole on the side of the panel. Use a screwdriver to adjust alignment as needed.

ASSEMBLY

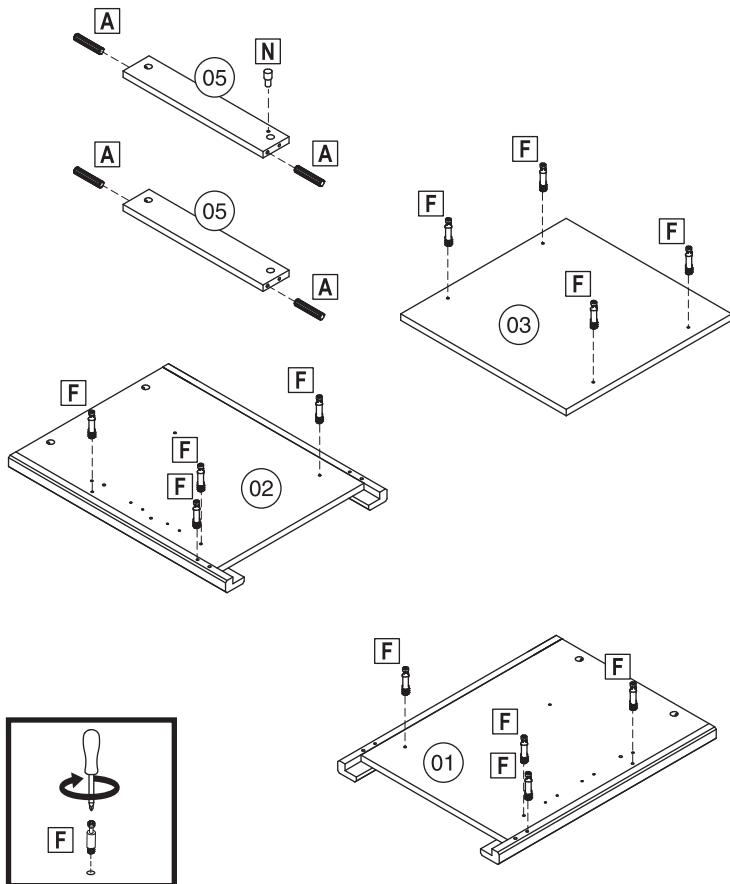
STEP 1

TOOLS REQUIRED

- 01: 1
- 02: 1
- 03: 1
- 05: 2
- A: 4
- F: 12
- N: 1



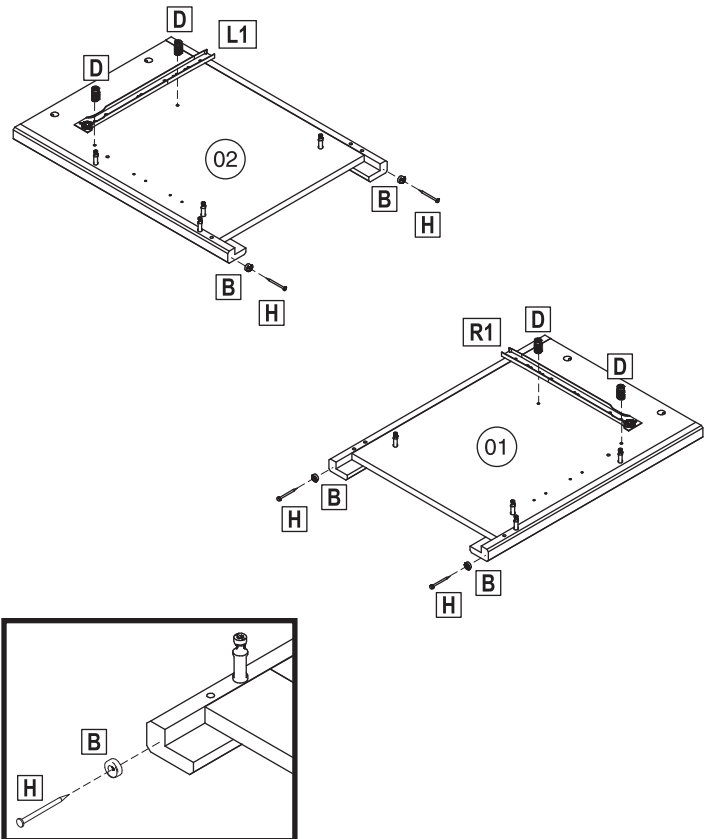
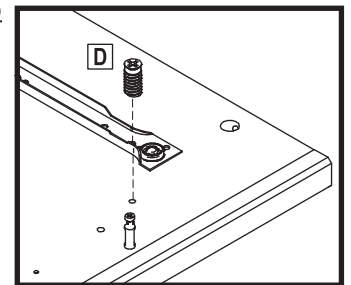
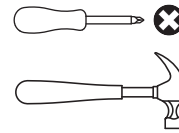
TIP: Install wood dowels by gently tapping them into the designated hole using a rubber mallet.



STEP 2

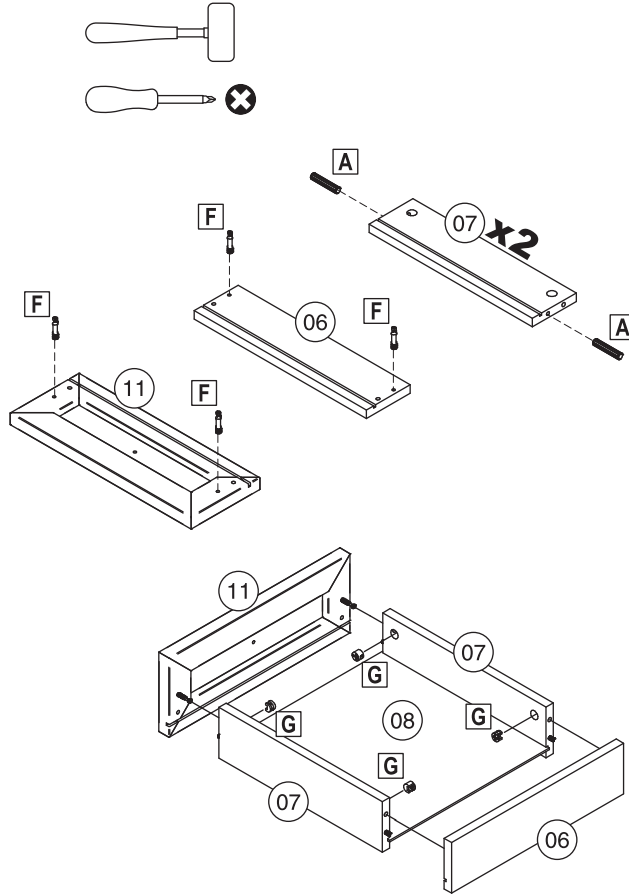
TOOLS REQUIRED

- B: 4
- D: 4
- H: 4
- L1: 1
- R1: 1

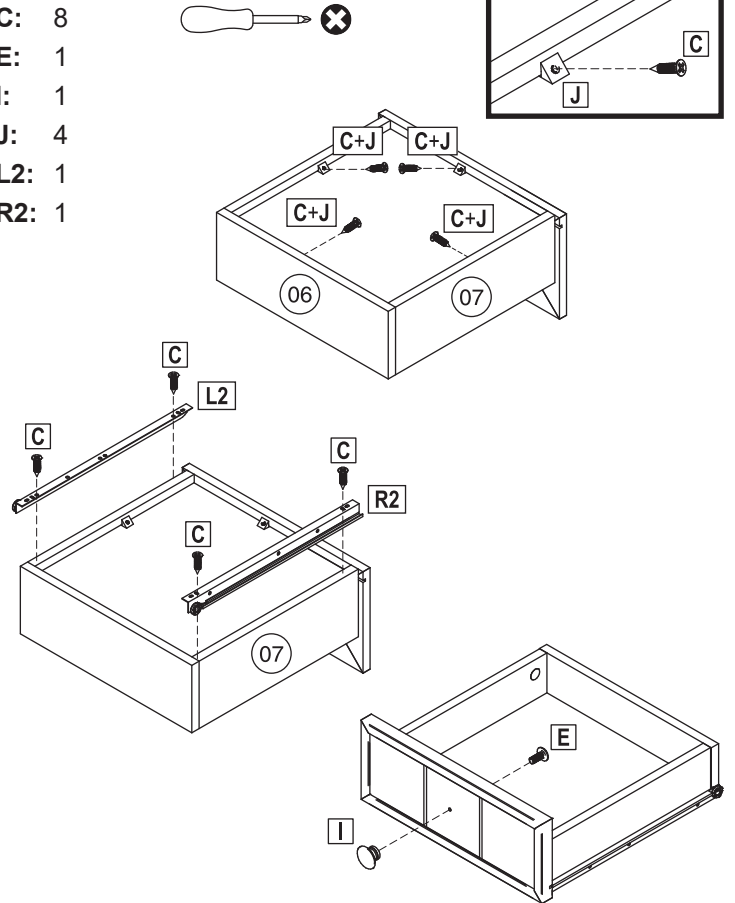


STEP 3 TOOLS REQUIRED

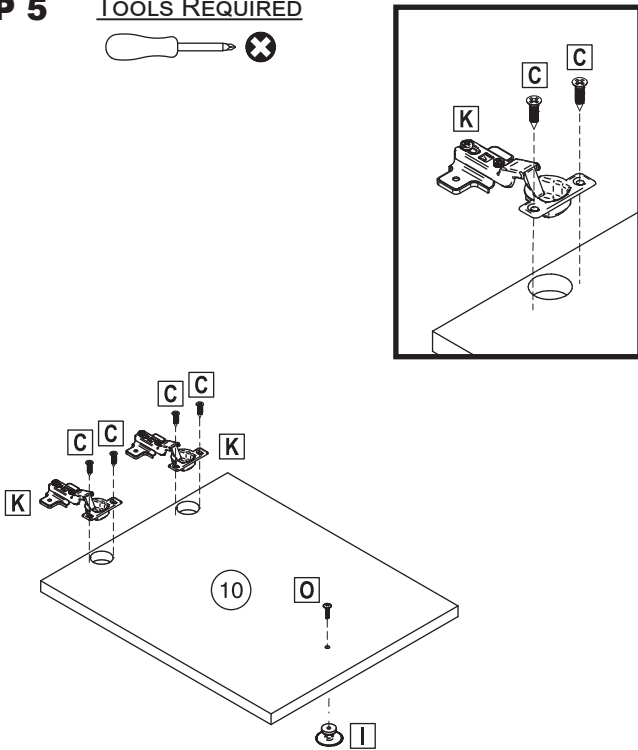
- 06: 1
- 07: 2
- 08: 1
- 11: 1
- A: 4
- F: 4
- G: 4

**STEP 4** TOOLS REQUIRED

- C: 8
- E: 1
- I: 1
- J: 4
- L2: 1
- R2: 1

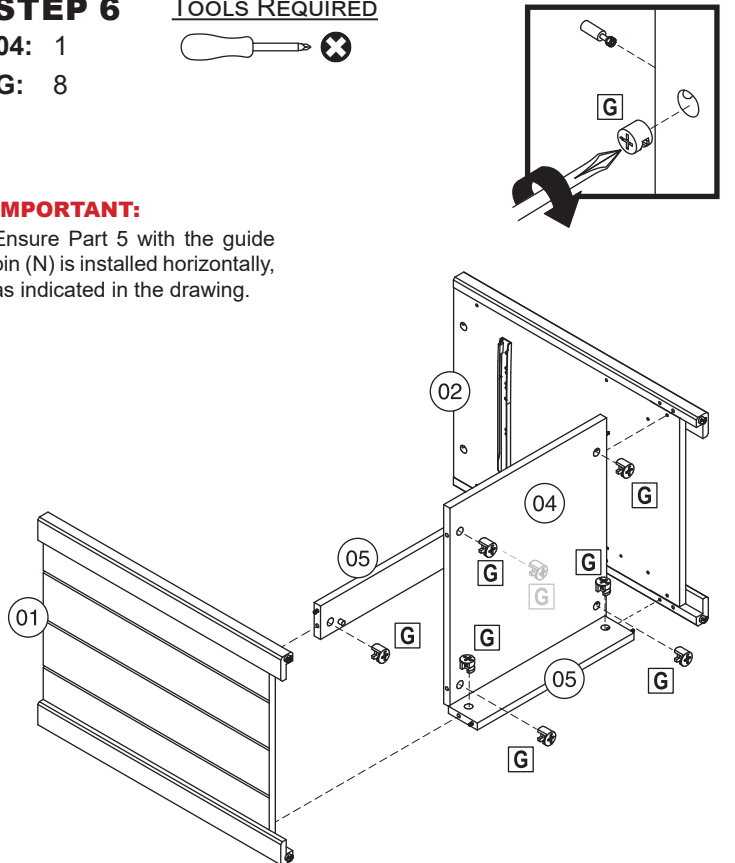
**STEP 5** TOOLS REQUIRED

- 10: 1
- C: 4
- I: 1
- K: 2
- O: 1

**STEP 6** TOOLS REQUIRED

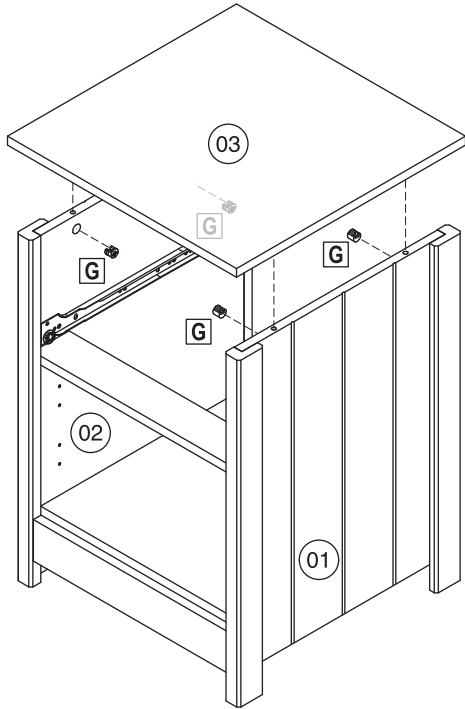
- 04: 1
- G: 8

IMPORTANT:
Ensure Part 5 with the guide pin (N) is installed horizontally, as indicated in the drawing.



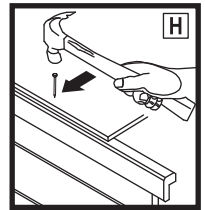
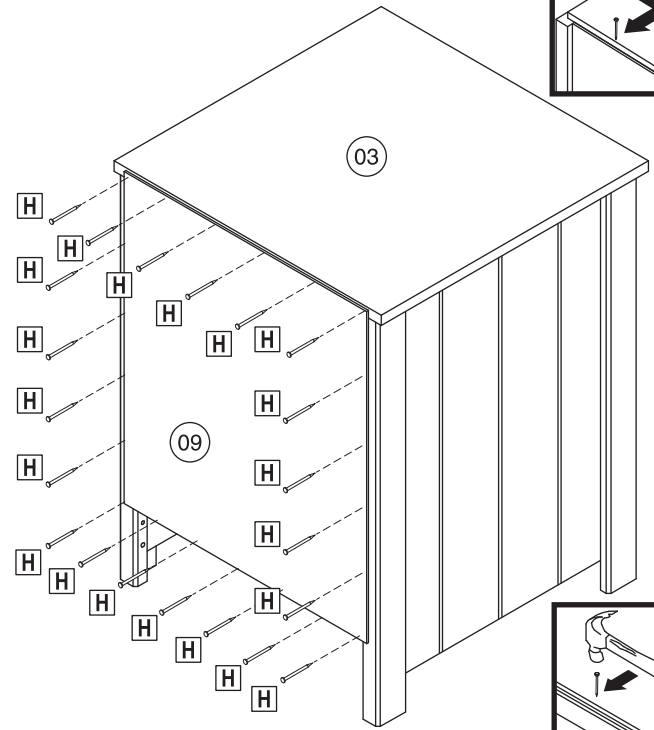
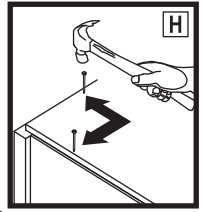
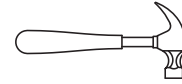
STEP 7 TOOLS REQUIRED

G: 4

**STEP 8** TOOLS REQUIRED

09: 1

H: 21

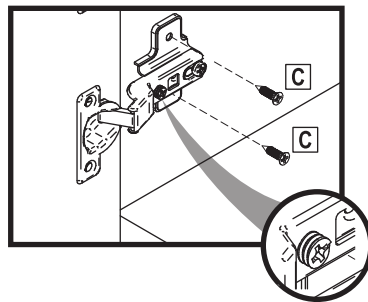
**STEP 9** TOOLS REQUIRED

C: 4

M: 1



Assistance is recommended for this step.



Adjustment Screw

INSTALLATION/ ADJUSTMENT INSTRUCTIONS**Door Installation:**

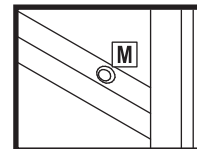
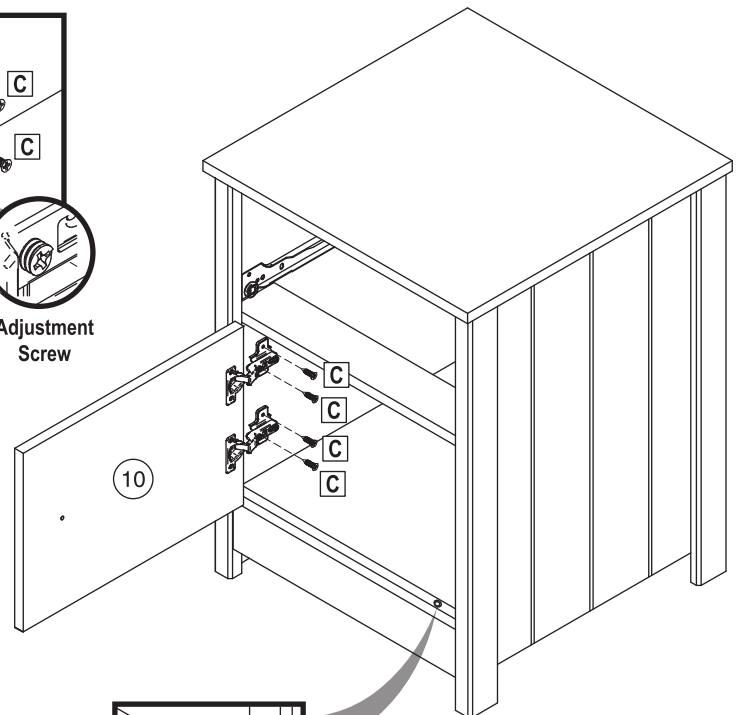
Please note, the cabinet box must be level and plumb for the door to work properly. Under certain conditions, wall surfaces may not be plumb, which results in a slight gap one or more sides of the door.

Carefully hold the door in place and secure the hinge. Please note, the hinge may need to be adjusted, use the adjustment screw to properly align the door.

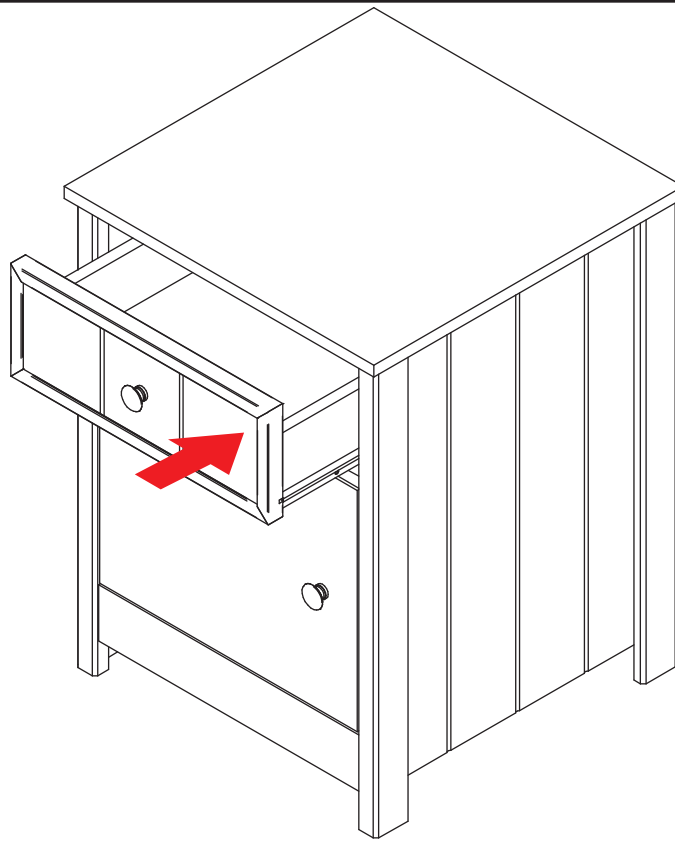
Door Adjustment:

Please note, care must be taken during hinge adjustment to avoid damage.

Only a slight adjustment is required. Rotate the Door Adjustment screws 1/8 to 1/4 turns at a time, then check the door position. Rotate adjustment screws as necessary until doors are properly aligned.



STEP 10



⚠ SAFETY STATEMENTS & WARNINGS ⚠

- For residential use only. Not for commercial or industrial use.
- For indoor use only.
- Ensure all fittings are tight before use. Periodically check fittings to ensure they are tight.
- Only use this unit on a flat, level surface.
- Do not sit, stand or climb on the unit.
- Never allow children to stand, climb, or hang on drawers, doors, or shelves.
- Do not place liquids or hot items directly on the furniture.
- Never use chemical cleaning products or polishes as doing so may damage the finish.
- Do not exceed the weight capacity of the furniture.
- Do not overload the shelf as doing so may cause it to sag.
- Do not overload the drawer as doing so may cause permanent damage.
- Do not place the unit in direct sunlight.
- Avoid placing the unit near heating or cooling vents as forced air is very drying and can damage the unit.
- Do not write on furniture without a padded barrier to protect the surface.

Any modification to the product or failure to follow recommended care will void the product warranty.

If you experience issues with assembly or the product was damaged during shipping, please contact our customer service team directly through one of the methods mentioned at the top of page 1.

Please have the item number and order information ready to expedite response time.

⚠ NOTICE:

Manufacturer and seller expressly disclaim any and all liability from personal injury, property damage or loss, whether direct or indirect, or incidental, resulting from the incorrect attachment, improper use, inadequate maintenance, or neglect of this product.