

WALL-MOUNTED STORAGE RACK CRO-157

Carefully review assembly and care instructions before using this product.
Save this document for future reference.

**Assemble components on a soft, clean surface to avoid scratching
or damaging the finish.**

! HELPFUL HINTS

Sunnydaze Decor advises reviewing this manual fully, and assembling the unit soon after purchase. Check that all parts are accounted for and familiarize yourself with the assembly before beginning.

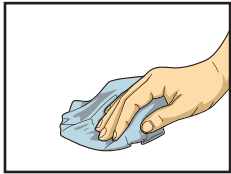
SAVE THIS MANUAL FOR FUTURE REFERENCE.

INTRODUCTION

Read the manual carefully to ensure you fully understand all use, care, assembly, and safety information.



Read this manual carefully and follow the assembly instructions in the order listed. Pay close attention to assembly drawings.



Regularly clean with a clean microfiber cloth to prevent dust accumulation.



Do not paint the unit. Do not use abrasive materials or cleaners to clean the furniture; only use a slightly moistened cloth.



Indoor use only. Do not expose the furniture to heat or humidity.



When cleaning nearby the furniture, do not allow contact with water or cleaners as it may deteriorate the furniture.



Do not allow metal components to come in contact with water or cleaners as it may cause rust and staining.



Assemble on a soft, flat, clean, and dry surface.



Use a soft, protective barrier when assembling the furniture.

TIP: Use the box carton as a protective layer to separate and protect the parts from scratches and other damage during assembly.



Do not push or drag furniture as doing so may damage the unit. Only move furniture when it is empty.

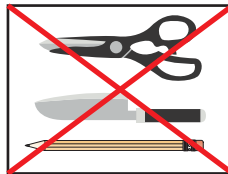


Always ask for help when moving furniture.

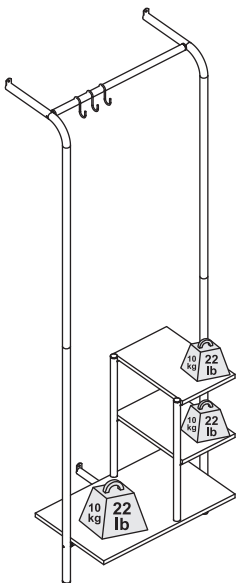


Avoid Accidents - Do not climb, sit or stand on the furniture.

Do not allow children to play on or inside the furniture.



Keep sharp objects away as they may scratch or damage the unit. Do not use the furniture as a writing surface without a padded barrier.



WEIGHT CAPACITY

Please pay attention to the maximum weight supported by each shelf.

Do not overload the top bar.

Always ensure weight is evenly distributed.

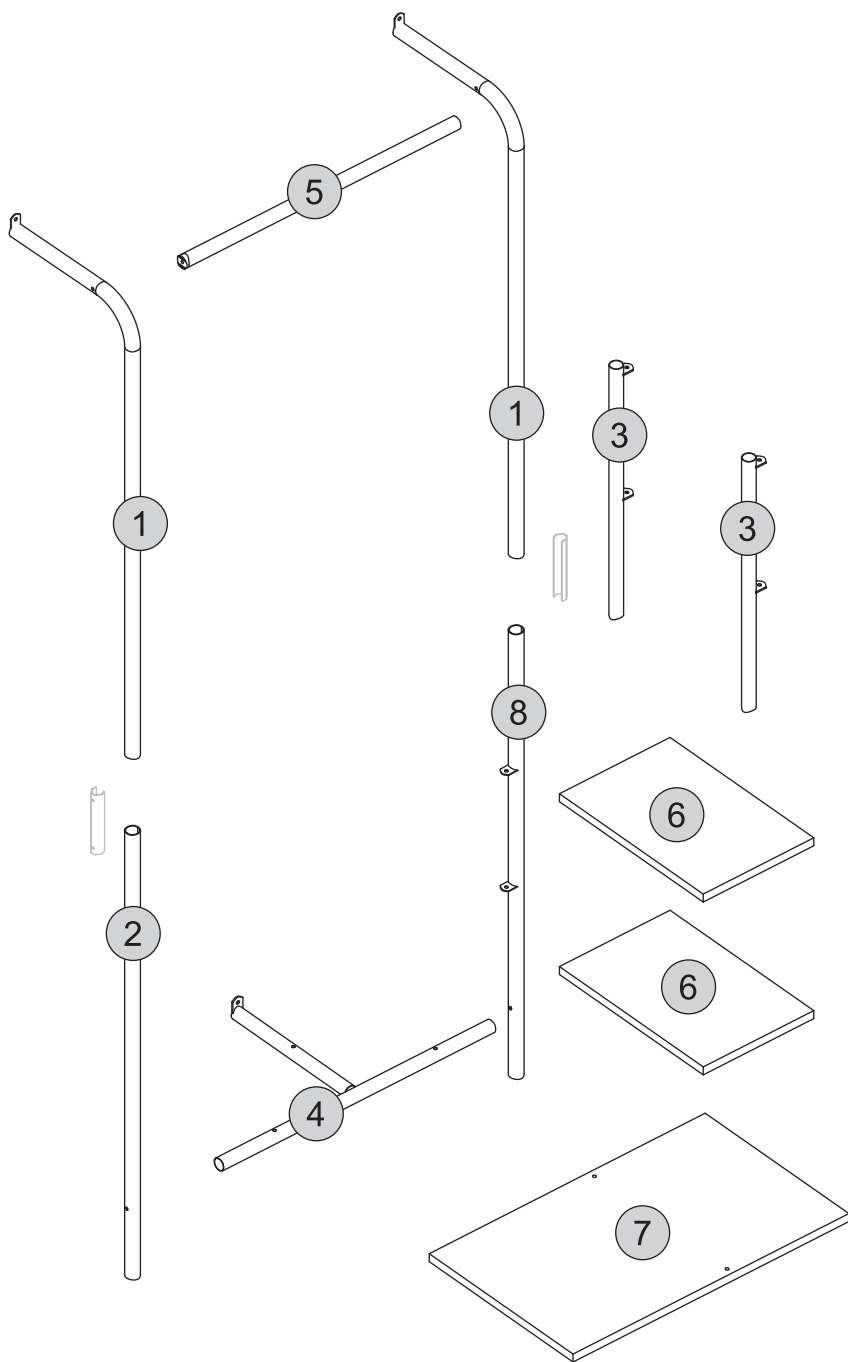
To ensure the quality of the product, take care not to exceed the weight capacities.

For maximum stability, anchor this unit to a wall using the included hardware.

NOTICE:

Manufacturer and seller expressly disclaim any and all liability from personal injury, property damage or loss, whether direct or indirect, or incidental, resulting from the incorrect attachment, improper use, inadequate maintenance, or neglect of this product.

COMPONENTS



Inspect packaging to ensure all parts are accounted for before disposing of packing materials.



2-PERSON
INSTALLATION
RECOMMENDED

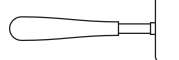
No.	PART NAME	QTY.
1	Top Tube	2
2	Left Leg	1
3	Shelf Tube	2
4	Base Frame	1
5	Upper Tube	1
6	Small Shelf	2
7	Bottom Shelf	1
8	Right Leg	1

No.	HARDWARE	QTY.
A	M4x14mm Screw	6
B	M4x35mm Flat Screw	3
C	M5x50mm Flat Screw	6
D	M4x50mm Flat Screw	3
E	Leg Plug	2
F	Screw Grommet	6
G	Tube Plug	2
H	Wall Anchor	3
I	Hook	3
J	M4x12mm Bolt	4
K	Side Panel Bracket	2

TOOLS REQUIRED (not included)



Phillips Screwdriver



Rubber Mallet



Power Drill
with 6mm Drill Bit

⚠ WARNING ⚠

CHOKING HAZARD — This item contains small parts that can be swallowed. Keep children and pets away during assembly.

⚠ NOTICE:

Manufacturer and seller expressly disclaim any and all liability from personal injury, property damage or loss, whether direct or indirect, or incidental, resulting from the incorrect attachment, improper use, inadequate maintenance, or neglect of this product.

ASSEMBLY

STEP 1

PARTS REQUIRED

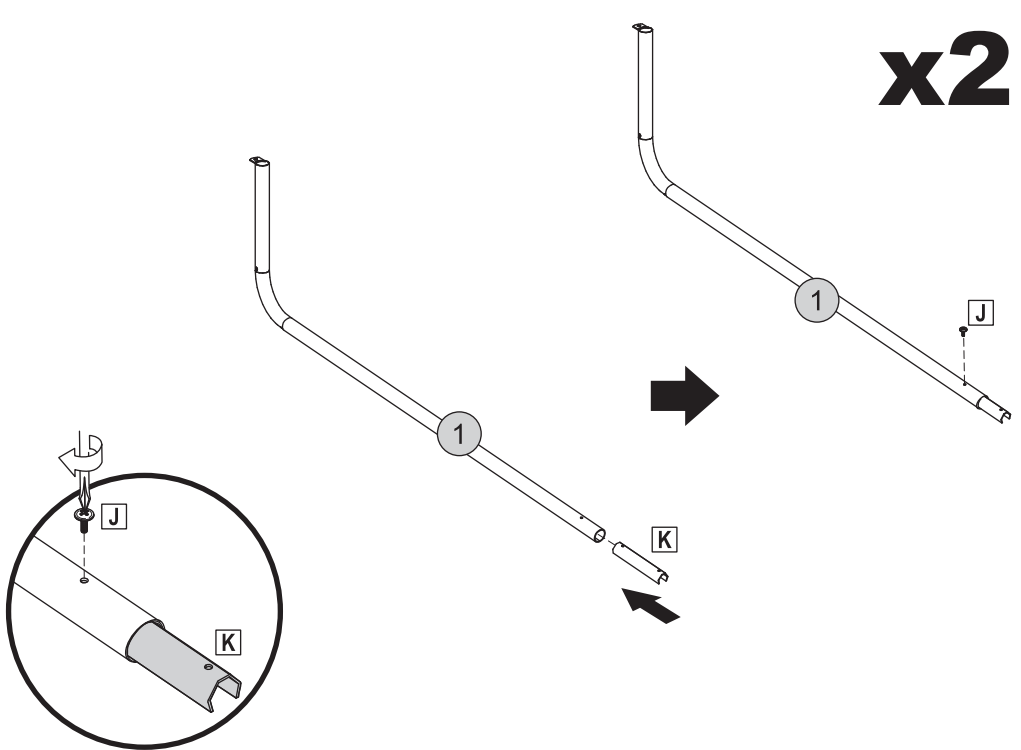
1 x2

HARDWARE REQUIRED

J  M4x12mm x2

K  x2

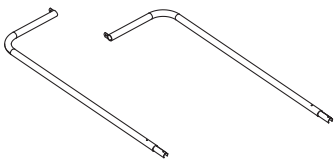
TOOLS REQUIRED



STEP 2

PARTS REQUIRED

2 x1 8 x1

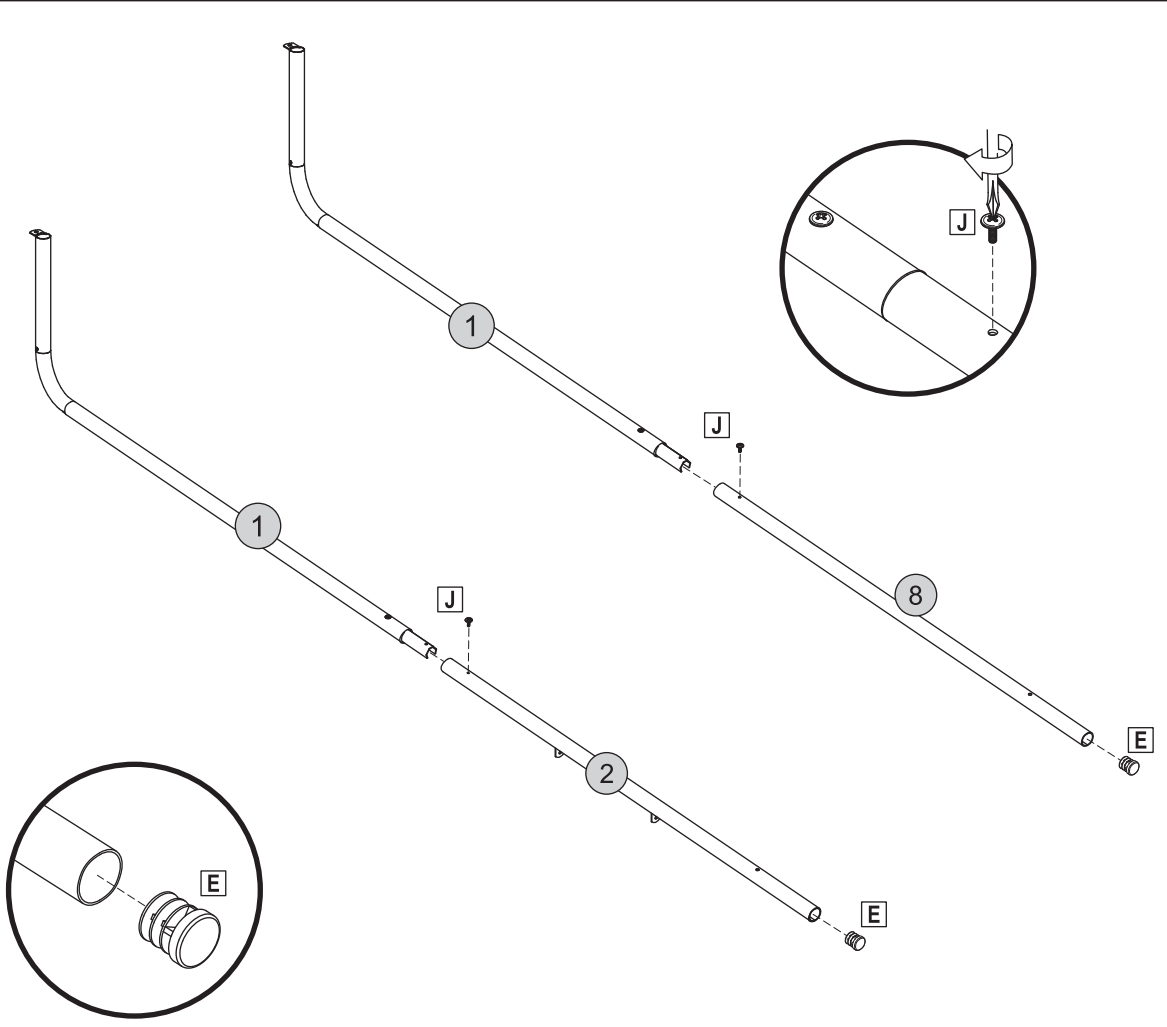


HARDWARE REQUIRED

E  x2

J  M4x12mm x2

TOOLS REQUIRED





STEP 3

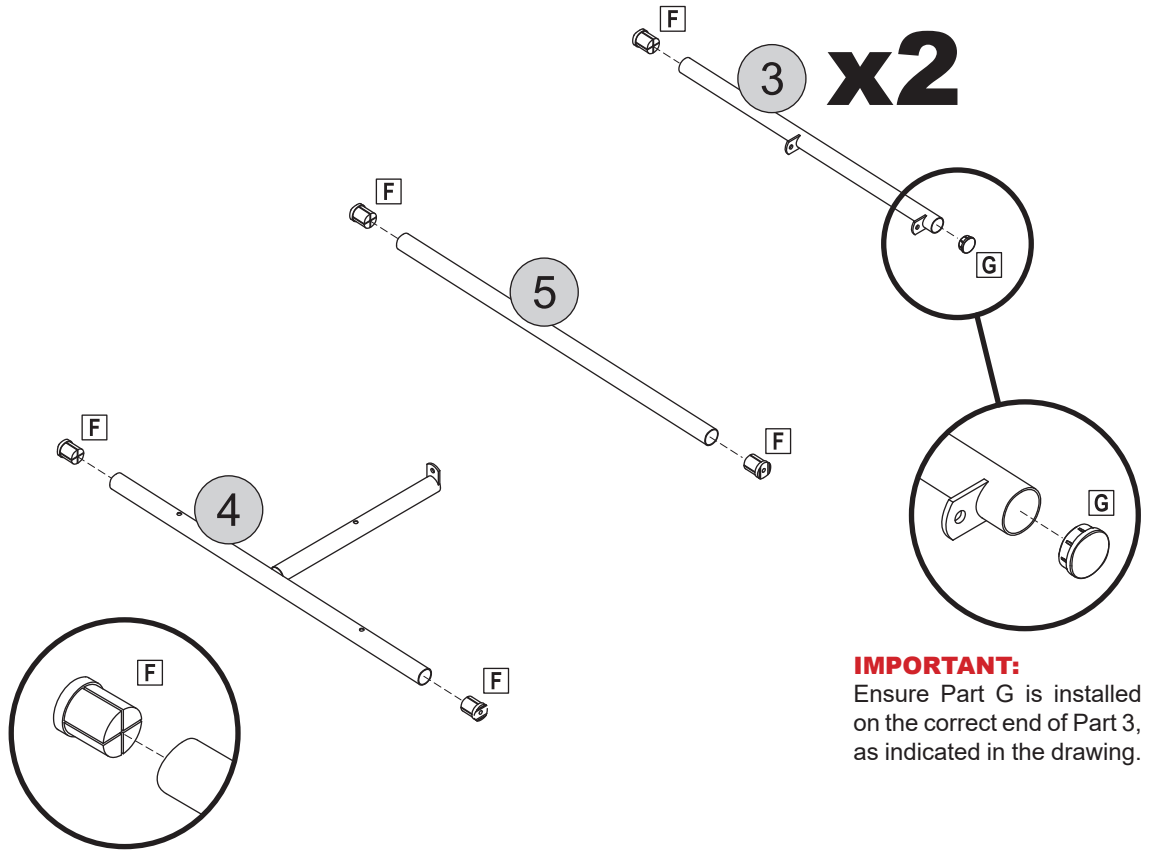
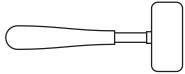
PARTS REQUIRED

3	x2	4	x1	5	x1
---	----	---	----	---	----

HARDWARE REQUIRED

F		x6
G		x2

TOOLS REQUIRED

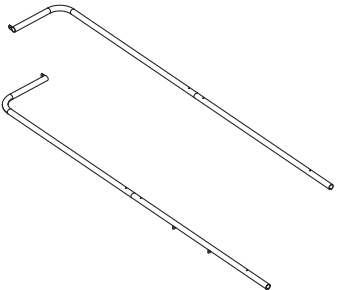


IMPORTANT:
Ensure Part G is installed on the correct end of Part 3, as indicated in the drawing.


STEP 4

PARTS REQUIRED

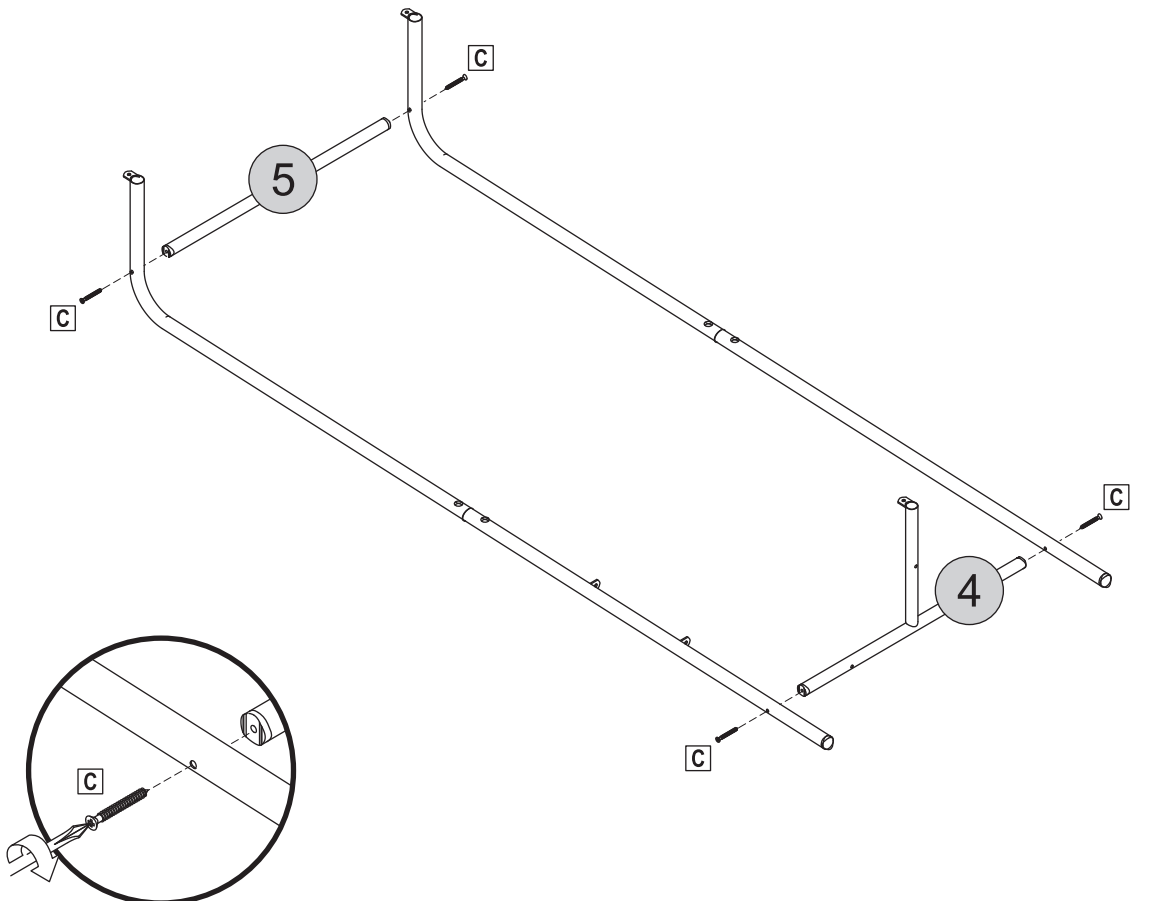
4	x1	5	x1
---	----	---	----



HARDWARE REQUIRED

C		M5x50mm	x4
---	---	---------	----

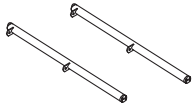
TOOLS REQUIRED



STEP 5

PARTS REQUIRED

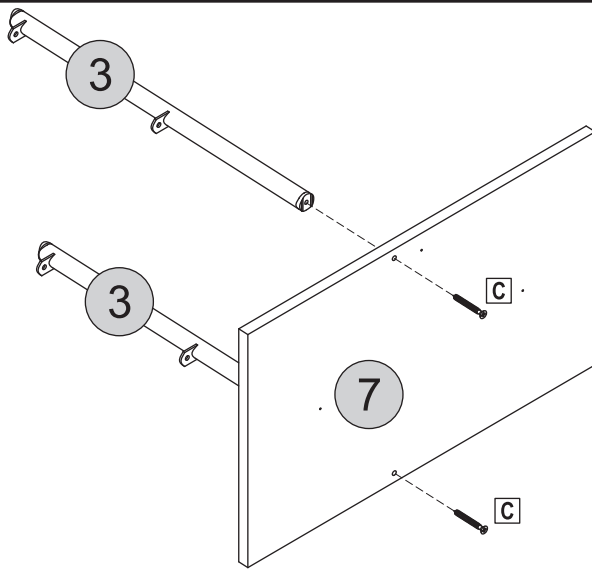
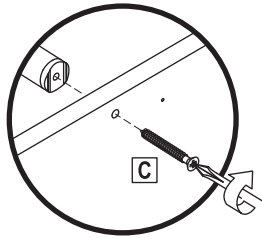
7 x1



HARDWARE REQUIRED

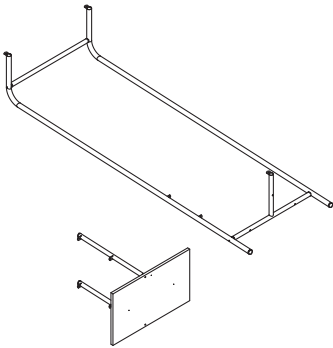
C  M5x50mm x2

TOOLS REQUIRED



STEP 6

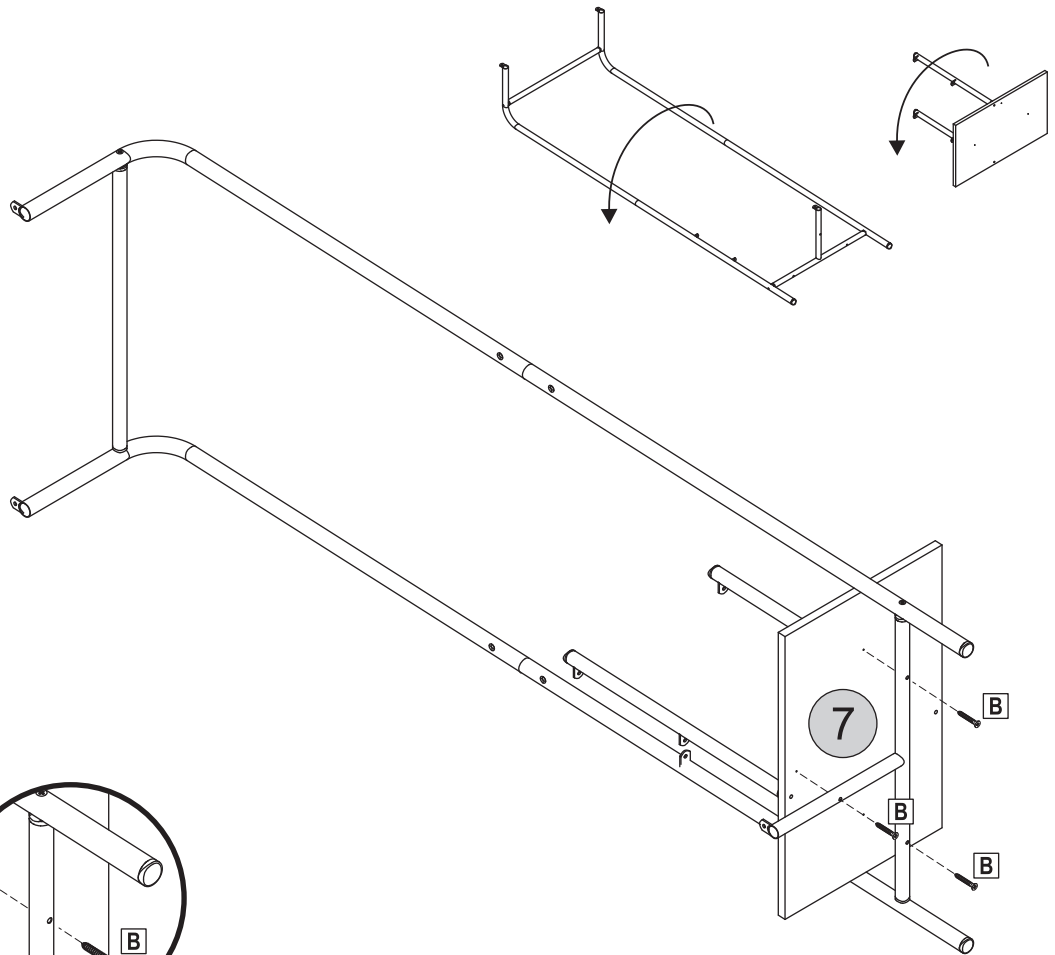
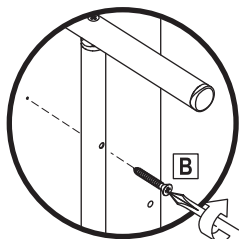
PARTS REQUIRED



HARDWARE REQUIRED

B  M4x35mm x3

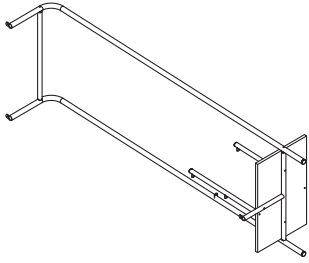
TOOLS REQUIRED



STEP 7

PARTS REQUIRED

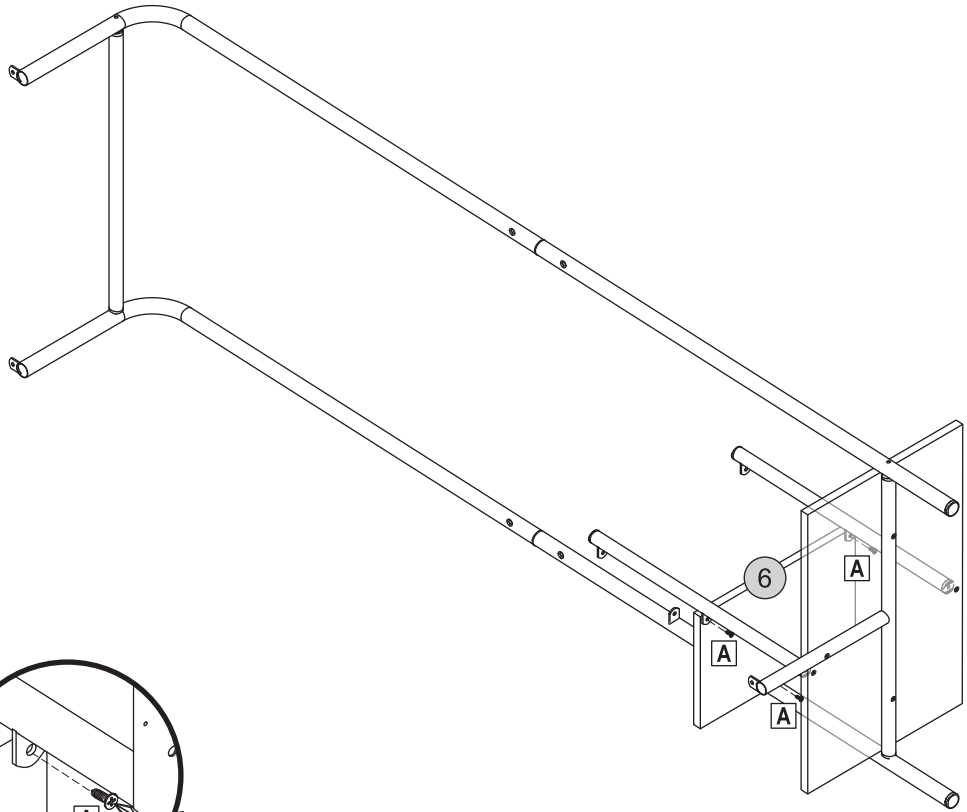
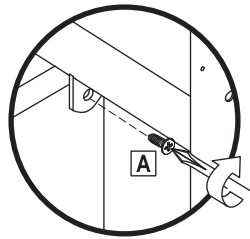
6 x1



HARDWARE REQUIRED

A  M4x14mm x3

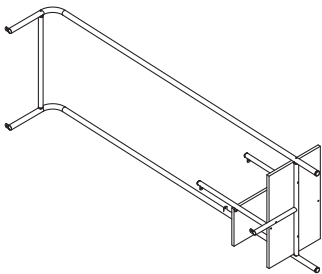
TOOLS REQUIRED




STEP 8

PARTS REQUIRED

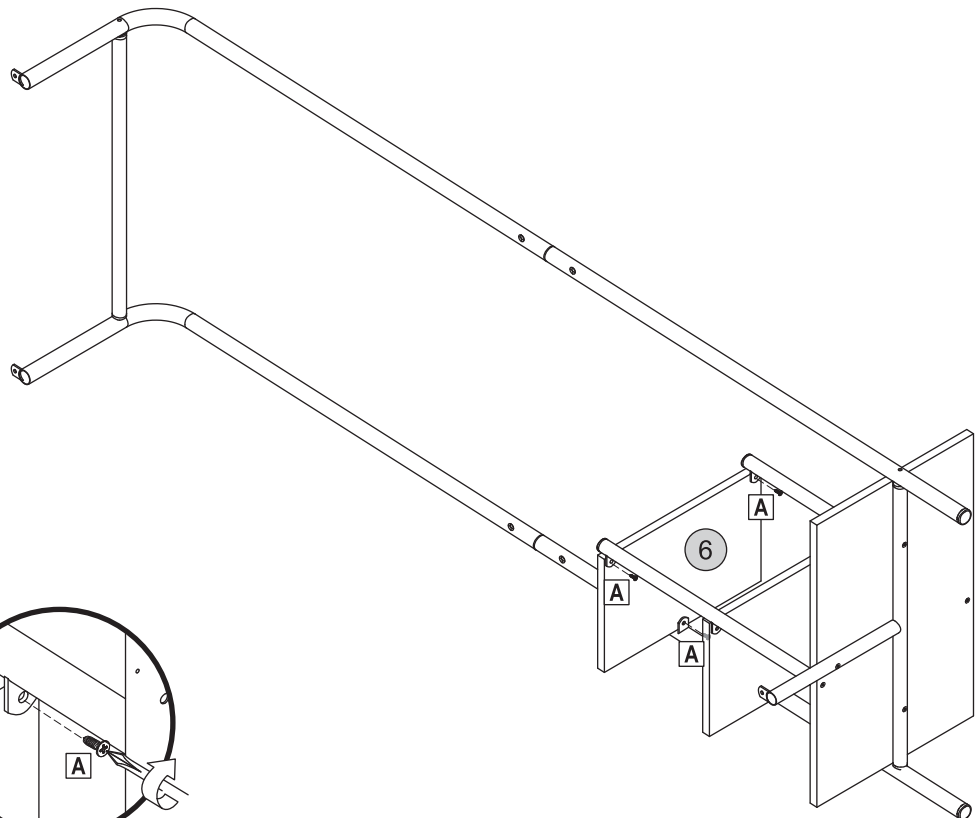
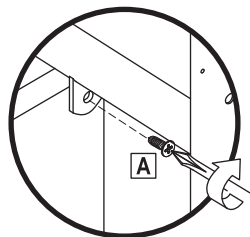
6 x1



HARDWARE REQUIRED

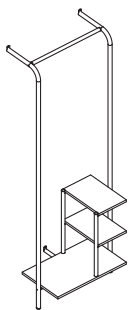
A  M4x14mm x3

TOOLS REQUIRED






STEP 9

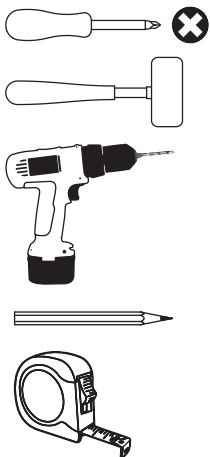
PARTS REQUIRED



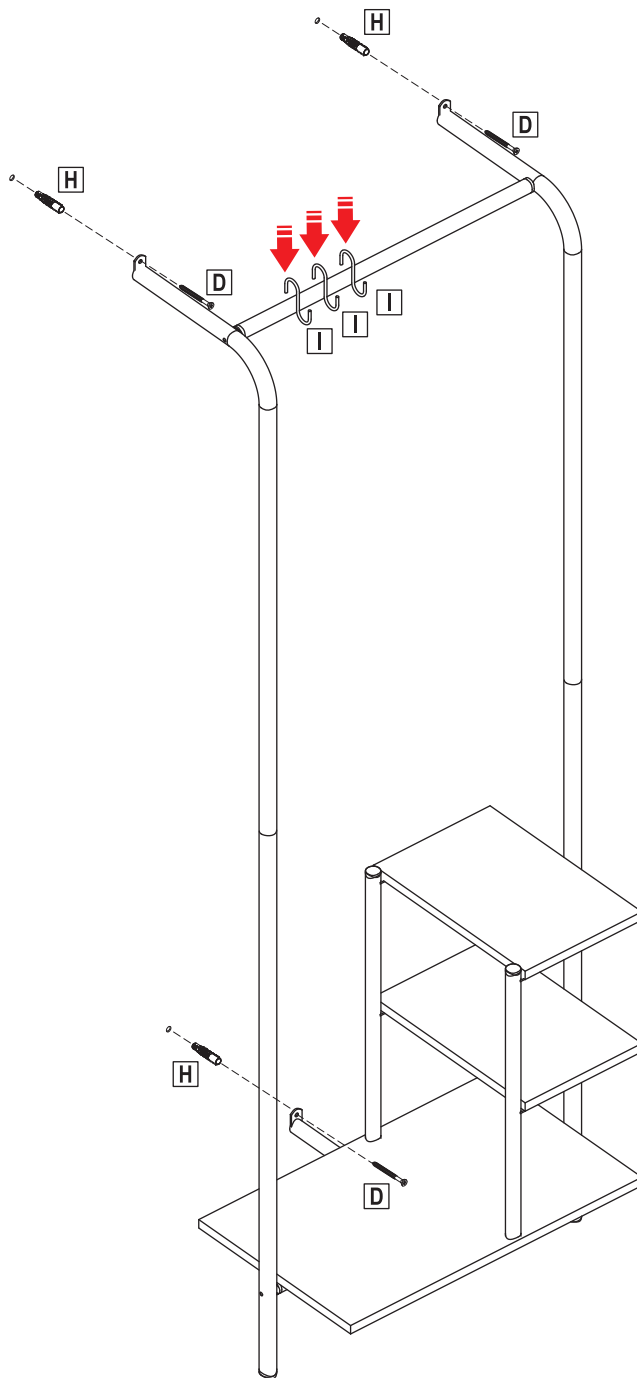
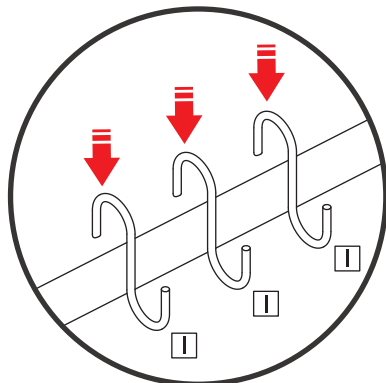
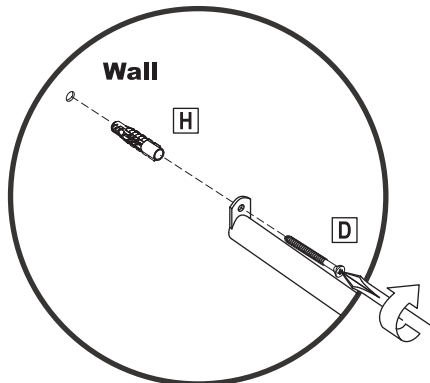
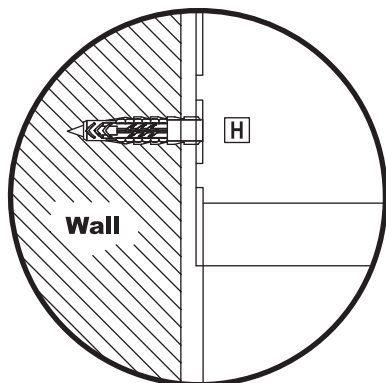
HARDWARE REQUIRED

D	 M4x50mm	x3
H		x3
I		x3

TOOLS REQUIRED



Assistance is recommended for this step.



WARNING: Check for pipes and electrical wiring before drilling.

IMPORTANT: Walls constructed from brick, stone, or concrete will require special fittings (not included). When in doubt, consult a qualified professional.

Carefully measure the location of the pilot hole before drilling and installing the unit.

- Ensuring the feet are touching the floor, place the unit against the wall and mark the position for drilling the pilot hole.
- Using a power drill with a 6mm bit, drill a pilot hole to the depth of the wall anchor. For walls with softer material, a 5mm bit is recommended.
- Insert the wall anchor into the hole until the opening is flush with the wall. Ensure the wall anchors are well fitted and are tight in the pilot hole.
- Align the shelf with the wall anchors and secure using the 50mm screw.

SAFETY STATEMENTS & WARNINGS

- For residential use only. Not for commercial or industrial use.
- For indoor use only.
- Ensure all fittings are tight before use. Periodically check fittings to ensure they are tight.
- Only use this unit on a flat, level surface.
- Do not sit, stand or climb on the unit.
- Supervise children; never allow children to climb or sit on this unit as it may tip over and cause serious injury.
- Do not place liquids or hot items directly on the furniture.
- Never use chemical cleaning products or polishes as doing so may damage the finish.
- Do not exceed the weight capacity of the furniture.
- Do not overload the shelves, as doing so may cause them to sag.
- Do not overload the top bar.
- Do not place the unit in direct sunlight.
- Avoid placing the unit near heating or cooling vents as forced air is very drying and can damage the unit.
- Do not write on furniture without a padded barrier to protect the surface.

Any modification to the product or failure to follow recommended care will void the product warranty.

If you experience issues with assembly or the product was damaged during shipping, please contact our customer service team directly through one of the methods mentioned at the top of page 1. Please have the item number and order information ready to expedite response time.

NOTICE:

Manufacturer and seller expressly disclaim any and all liability from personal injury, property damage or loss, whether direct or indirect, or incidental, resulting from the incorrect attachment, improper use, inadequate maintenance, or neglect of this product.