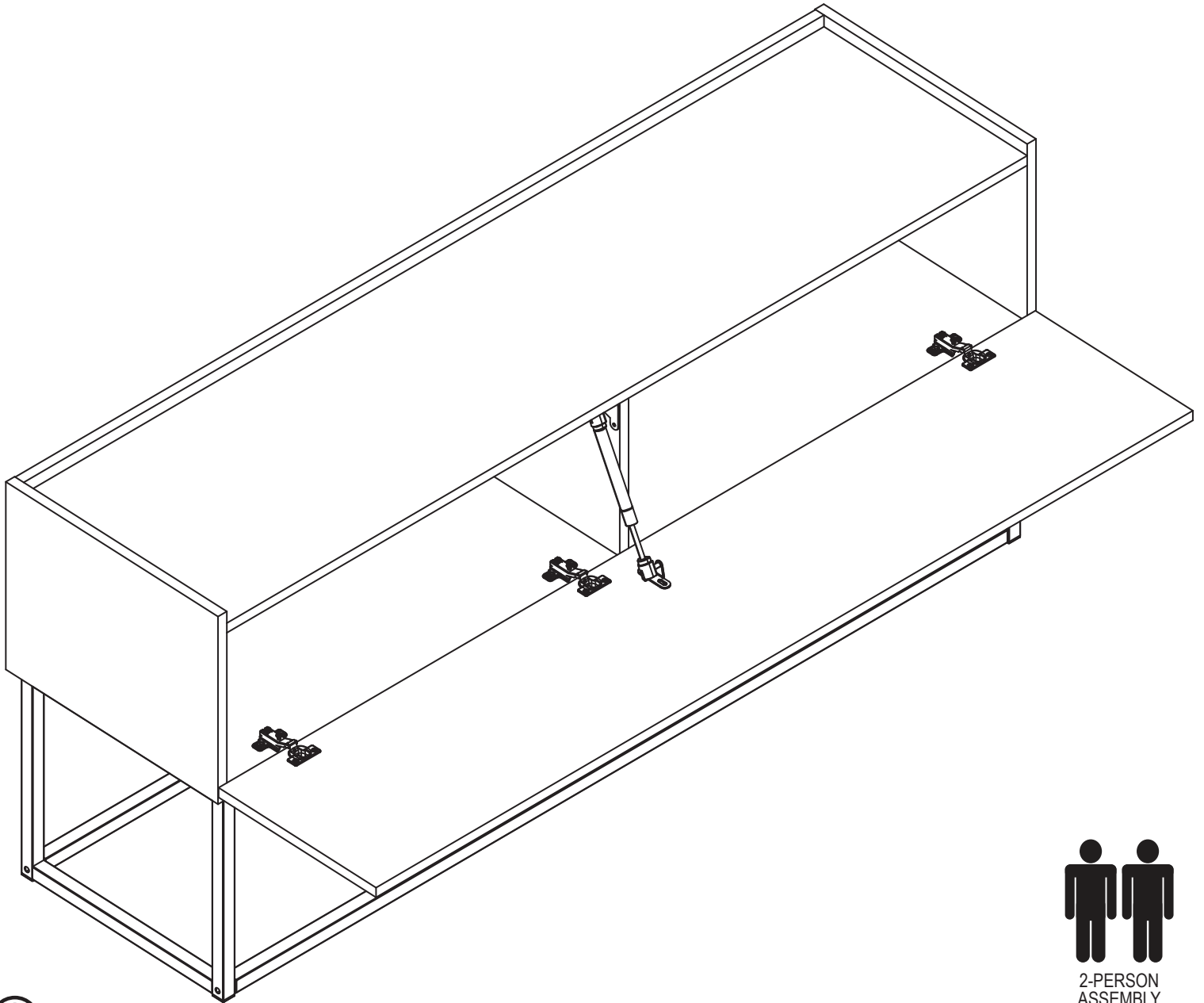


BUFFET TABLE CRO-140

Carefully review assembly and care instructions before using this product. Save this document for future reference.
Assemble components on a soft, clean surface to avoid scratching or damaging the finish.



! HELPFUL HINTS

Sunnydaze Decor advises reviewing this manual fully, and assembling the unit soon after purchase. Check that all parts are accounted for and familiarize yourself with the assembly before beginning.

SAVE THIS MANUAL FOR FUTURE REFERENCE.

INTRODUCTION

Read the manual carefully to ensure you fully understand all use, care, assembly, and safety information.



Read this manual carefully and follow the assembly instructions in the order listed. Pay close attention to assembly drawings.



Regularly clean with a clean microfiber cloth to prevent dust accumulation.



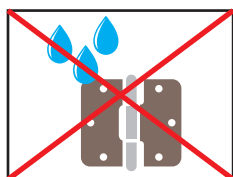
Do not paint the unit. Do not use abrasive materials or cleaners to clean the furniture; only use a slightly moistened cloth.



Indoor use only. Do not expose the furniture to heat or humidity.



When cleaning nearby the furniture, do not allow contact with water or cleaners as it may deteriorate the furniture.



Do not allow metal components to come in contact with water or cleaners as it may cause rust and staining.



Assemble on a soft, flat, clean, and dry surface.

Use a soft, protective barrier when assembling the furniture.

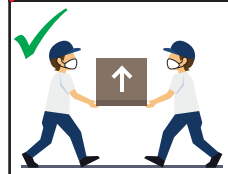


TIP: Use the box carton as a protective layer to separate and protect the parts from scratches and other damage during assembly.



Do not push or drag furniture as doing so may damage the unit.

Only move furniture when it is empty.

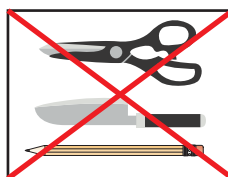


Always ask for help when moving furniture.



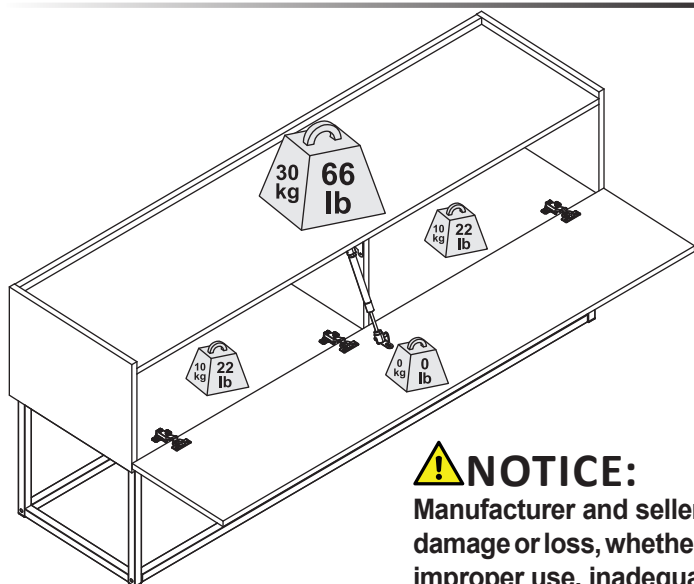
Avoid Accidents - Do not climb, sit or stand on the furniture.

Do not allow children to play on or inside the furniture.



Keep sharp objects away as they may scratch or damage the unit.

Do not use the furniture as a writing surface without a padded barrier.



WEIGHT CAPACITY

Please pay attention to the maximum weight supported by each shelf.

Always ensure weight is evenly distributed.

To ensure the quality of the product, take care not to exceed the weight capacities.

For maximum stability, anchor this unit to a wall using the included hardware.

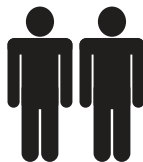
NOTICE:

Manufacturer and seller expressly disclaim any and all liability from personal injury, property damage or loss, whether direct or indirect, or incidental, resulting from the incorrect attachment, improper use, inadequate maintenance, or neglect of this product.

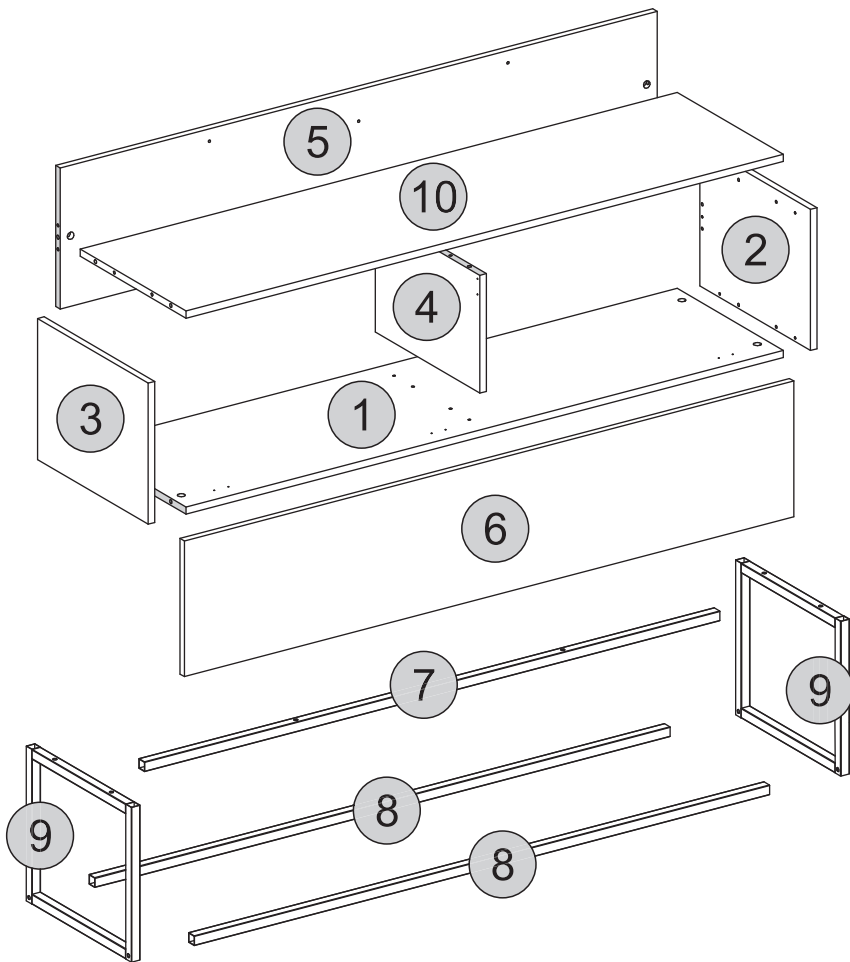
COMPONENTS



Inspect packaging to ensure all parts are accounted for before disposing of packing materials.



2-PERSON ASSEMBLY



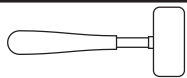
No.	PART NAME	QTY.
1	Bottom	1
2	Right Side Panel	1
3	Left Side Panel	1
4	Divider	1
5	Back	1
6	Door	1
7	Top Tube	1
8	Bottom Tube	2
9	Side Frame	2
10	Top	1

No.	HARDWARE	QTY.
A	Cam Screw	14
B	Cam Lock	14
C	Wood Dowel	16
D	M4x50mm Flat Screw	4
E	M4x25mm Flat Screw	2
F	Sticker	20
G	Washer	4
H	Wall Strap	2
I	Wall Anchor	4
J	M7x30mm Bolt	6
K	Round Plug	4
L	M3.5x14mm Flat Screw	16
M	Screw Grommet	6
N	Square Plug	4
O	M7x50mm Bolt	6
P	Hex Key	1
Q	Hinge	3
R	Hinge Plate	3
S	Gas Spring Set	1
T	M3.5x40mm Flat Screw	6

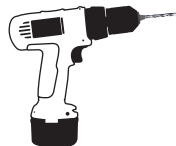
TOOLS REQUIRED (not included)



Phillips Screwdriver



Rubber Mallet



Power Drill
with 6mm Drill Bit

⚠ WARNING ⚠

CHOKING HAZARD — This item contains small parts that can be swallowed. Keep children and pets away during assembly.

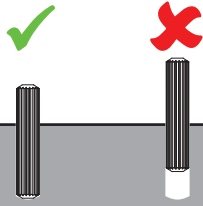
⚠ NOTICE:

Manufacturer and seller expressly disclaim any and all liability from personal injury, property damage or loss, whether direct or indirect, or incidental, resulting from the incorrect attachment, improper use, inadequate maintenance, or neglect of this product.

⚠ IMPORTANT INSTALLATION INFORMATION ⚠

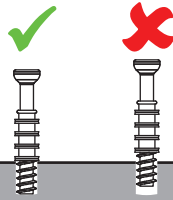
For the stability of the unit, it is important that furniture connectors are installed correctly. See drawings and tips below for proper installation.

Wood Dowel



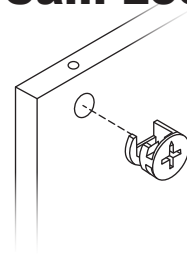
Install wood dowels by gently tapping them into the designated hole using a rubber mallet.

Cam Screw



Use a screwdriver to tighten the cam screw until the shoulder is flush with the panel. Do not over-tighten or under-tighten.

Cam Lock



Align the cam lock opening (arrow) with the pre-drilled hole on the side of the panel. Use a screwdriver to adjust alignment as needed.

ASSEMBLY

STEP 1

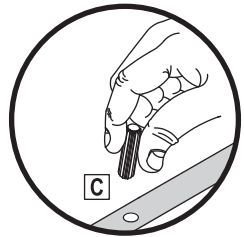
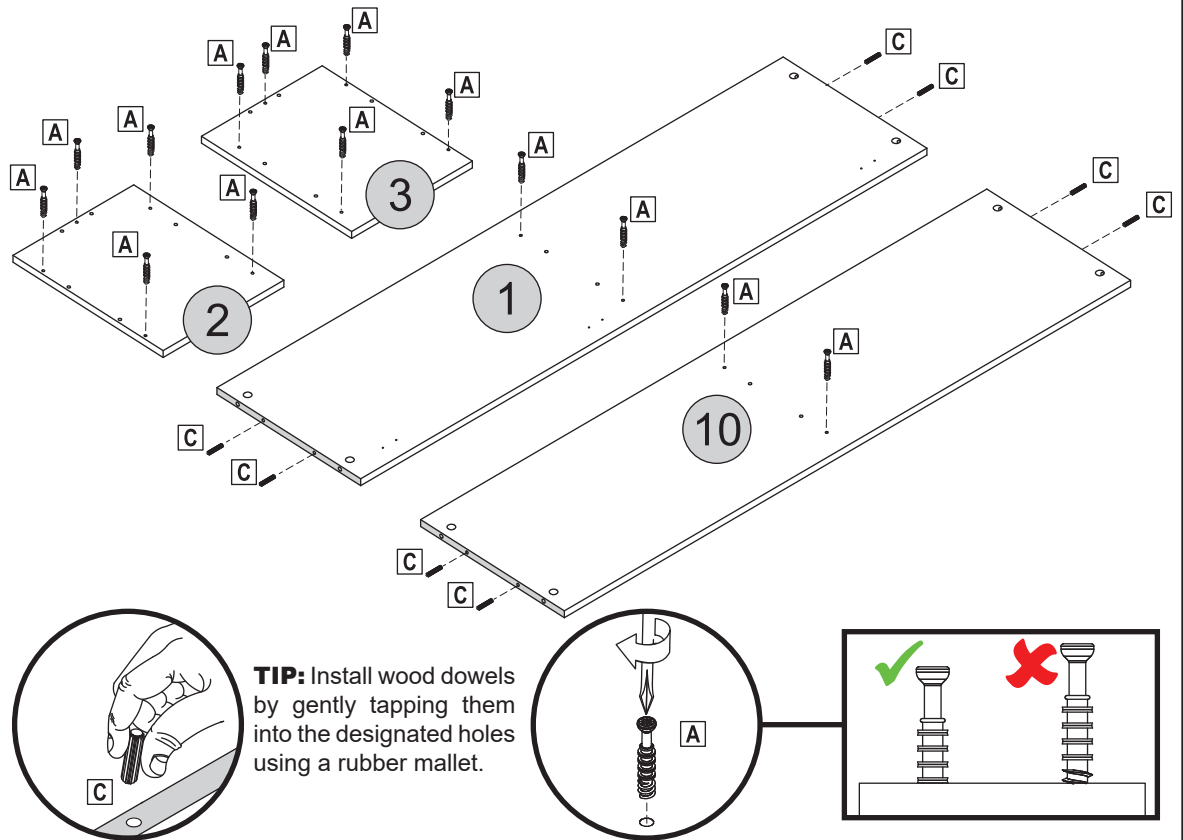
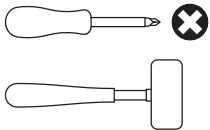
PARTS REQUIRED

1	x1	2	x1	3	x1
10	x1				

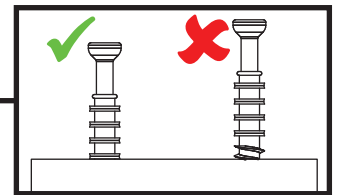
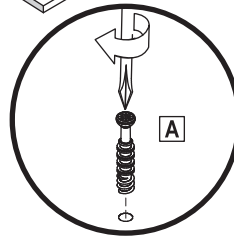
HARDWARE REQUIRED

A		x14
C		x8

TOOLS REQUIRED



TIP: Install wood dowels by gently tapping them into the designated holes using a rubber mallet.



STEP 2

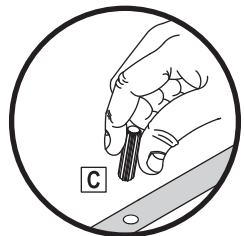
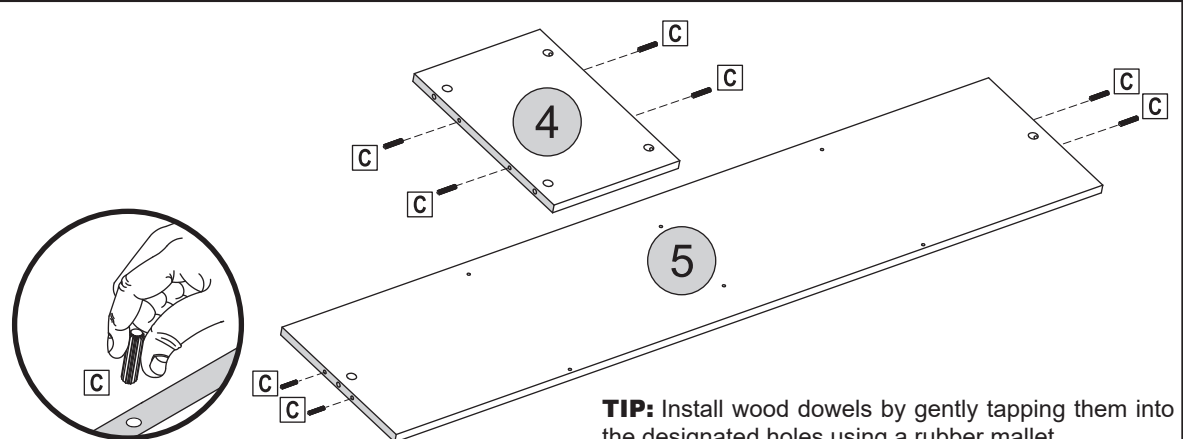
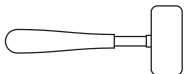
PARTS REQUIRED

4	x1	5	x1
---	----	---	----

HARDWARE REQUIRED

C		x8
---	--	----

TOOLS REQUIRED



TIP: Install wood dowels by gently tapping them into the designated holes using a rubber mallet.

STEP 3

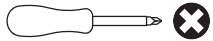
PARTS REQUIRED

1 x1 4 x1 10 x1

HARDWARE REQUIRED

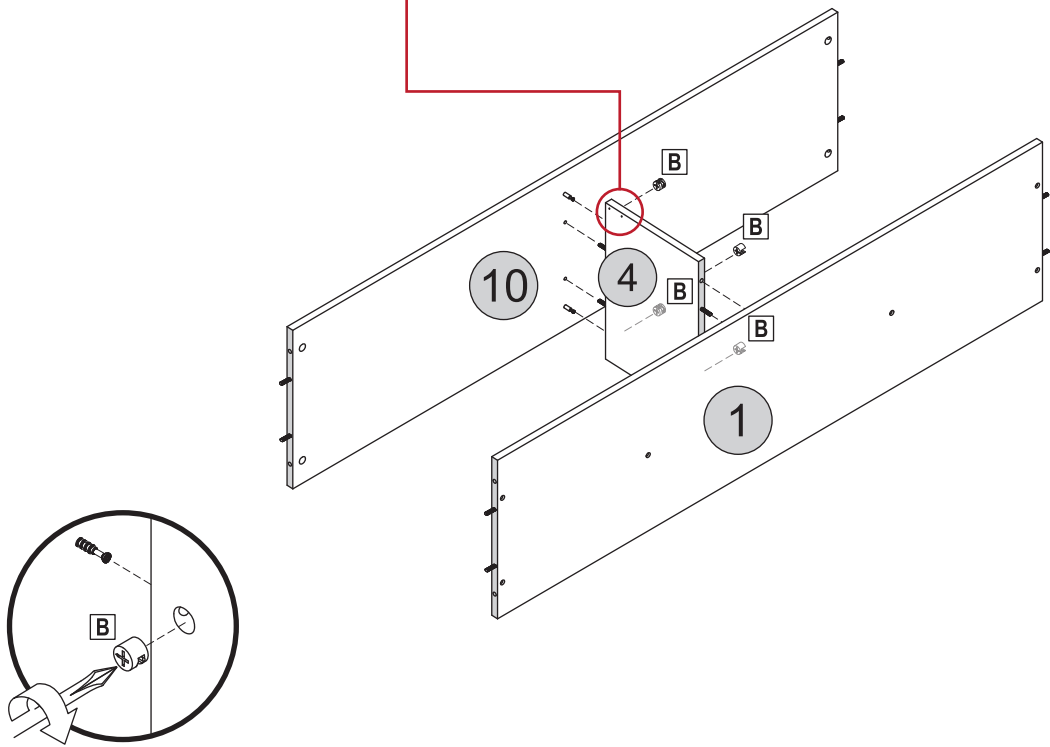
B  x4

TOOLS REQUIRED



IMPORTANT:

Note the position of the pilot holes on Part 4; ensure components are installed as indicated in the drawing.



STEP 4

PARTS REQUIRED

2 x1 5 x1

HARDWARE REQUIRED

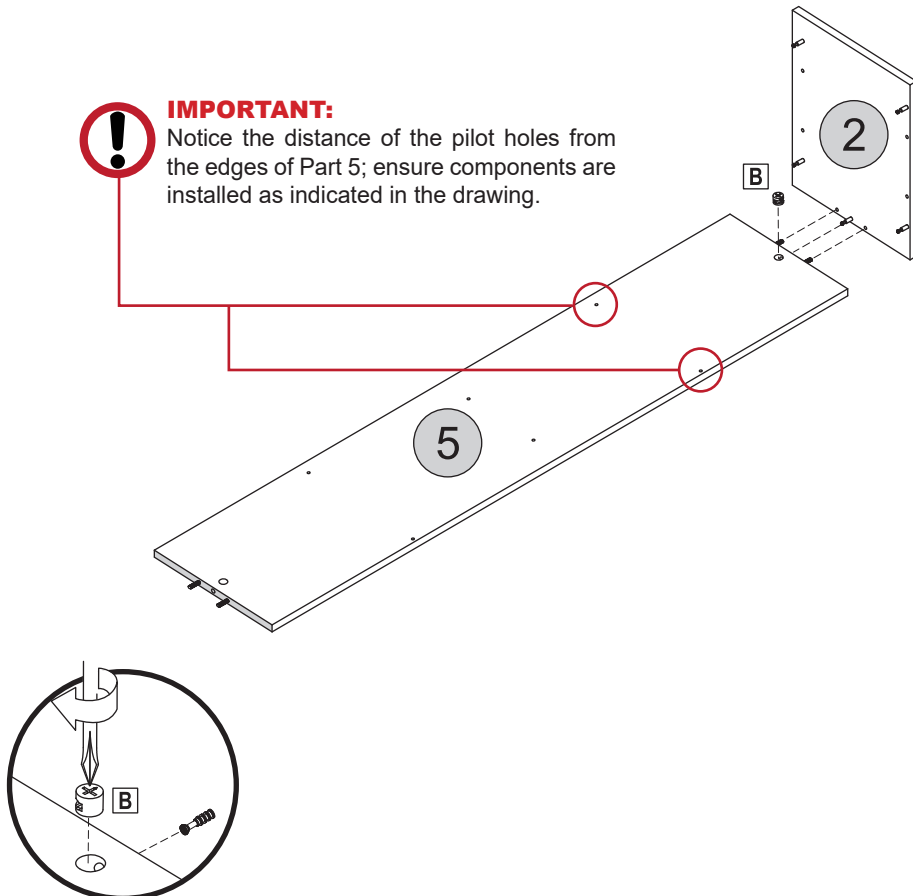
B  x1

TOOLS REQUIRED



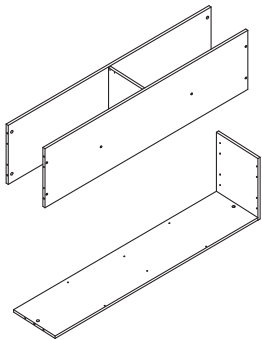
IMPORTANT:

Notice the distance of the pilot holes from the edges of Part 5; ensure components are installed as indicated in the drawing.



STEP 5

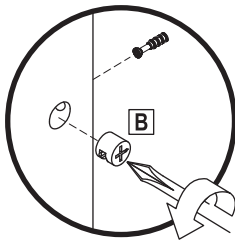
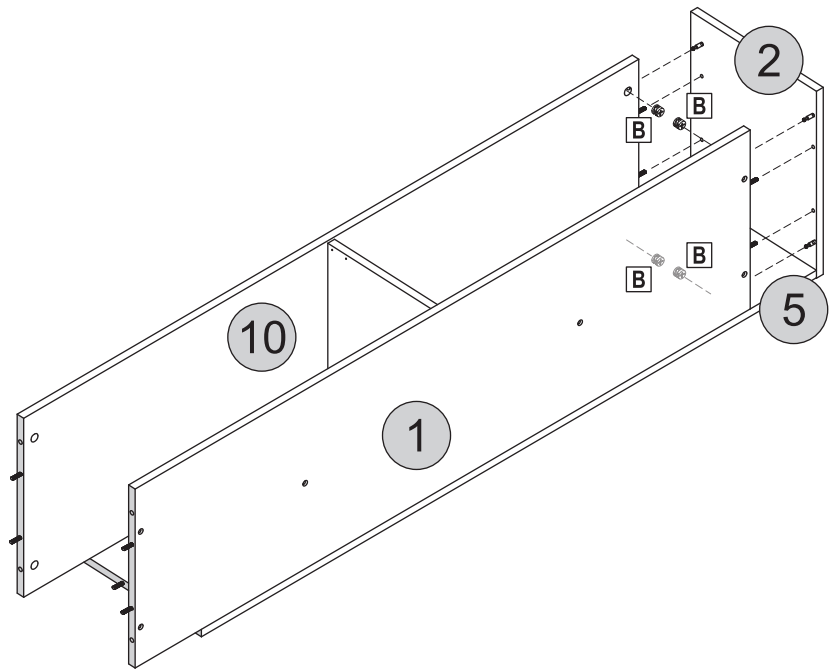
PARTS REQUIRED



HARDWARE REQUIRED

B  x4

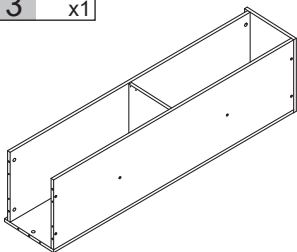
TOOLS REQUIRED



STEP 6

PARTS REQUIRED

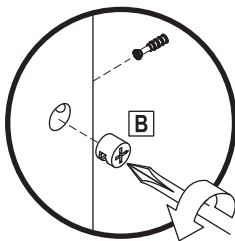
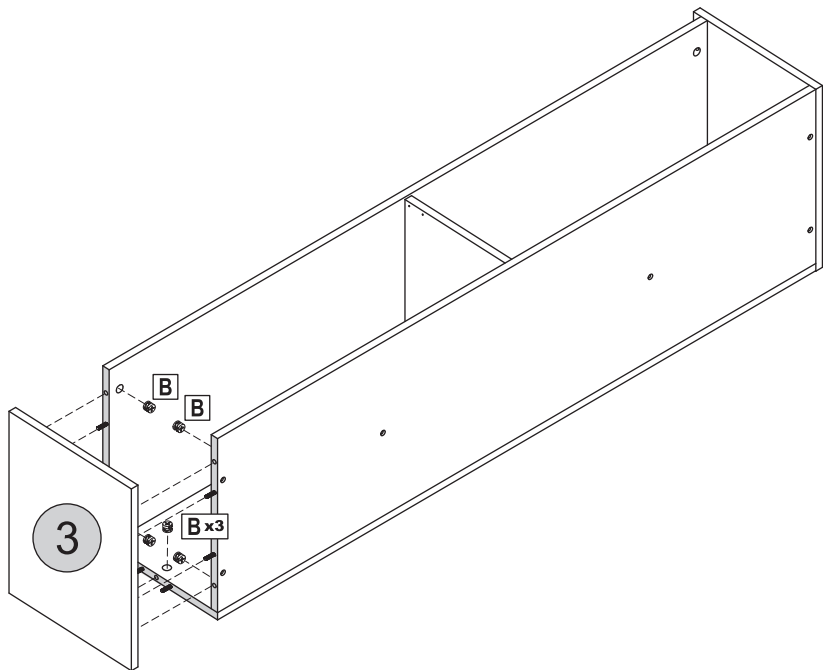
3 x1



HARDWARE REQUIRED

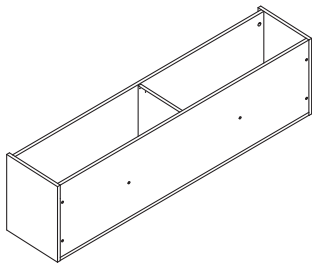
B  x5

TOOLS REQUIRED



STEP 7

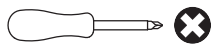
PARTS REQUIRED



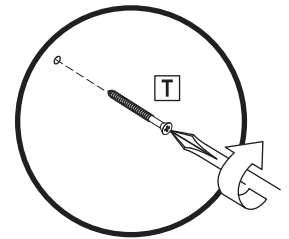
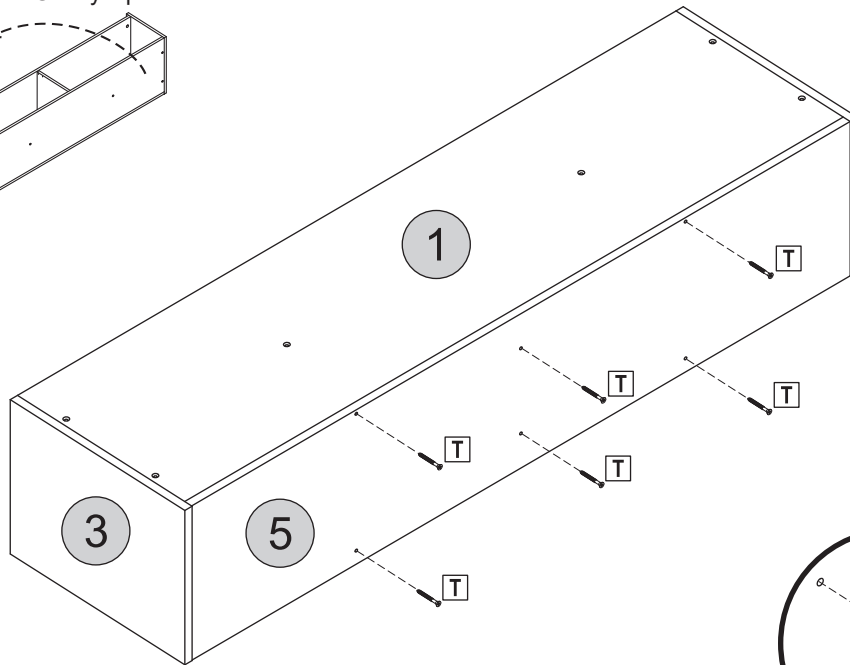
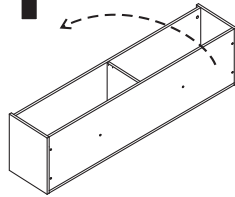
HARDWARE REQUIRED



TOOLS REQUIRED



1st Gently flip the assembled unit on its side.



STEP 8

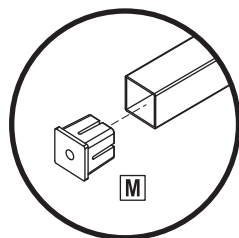
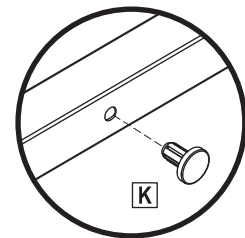
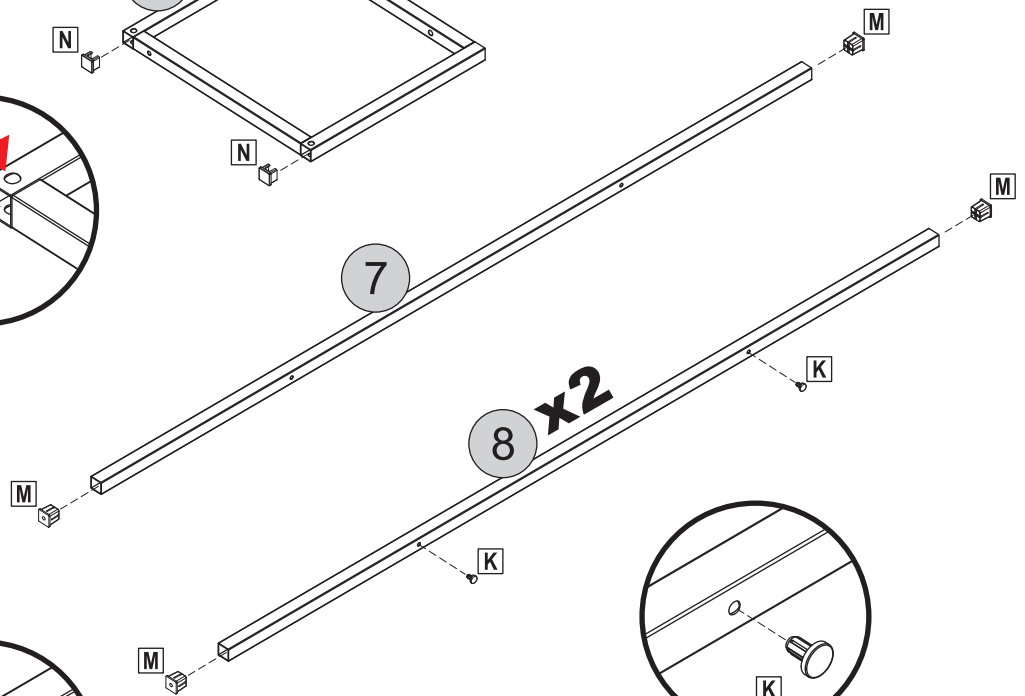
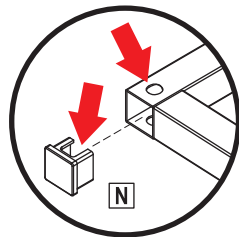
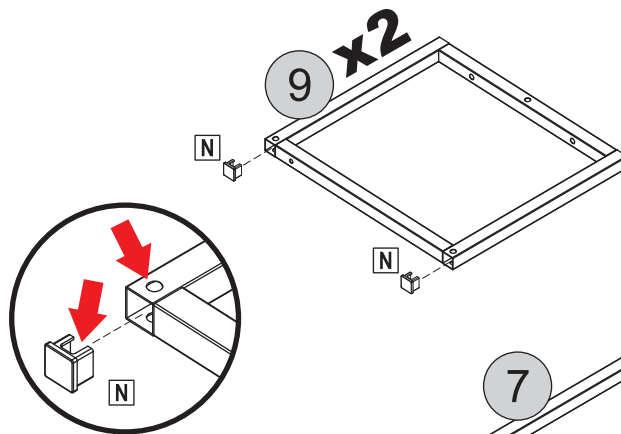
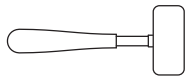
PARTS REQUIRED



HARDWARE REQUIRED



TOOLS REQUIRED


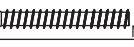


STEP 9

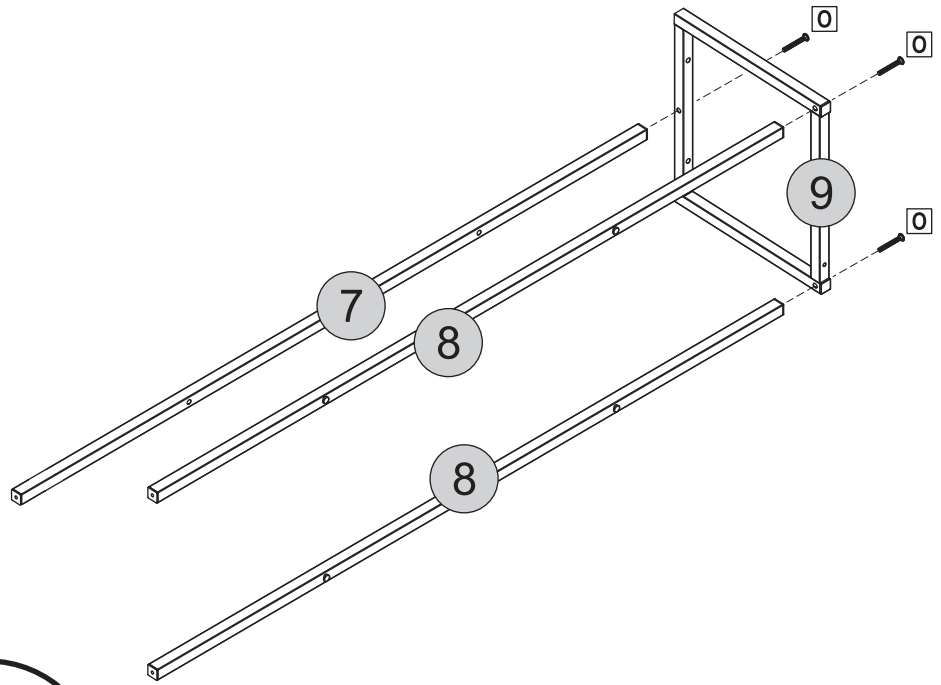
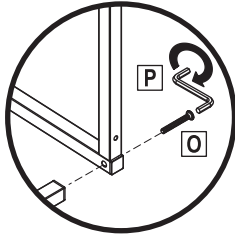
PARTS REQUIRED

7 x1 8 x2 9 x1

HARDWARE REQUIRED

   M7x50mm x3

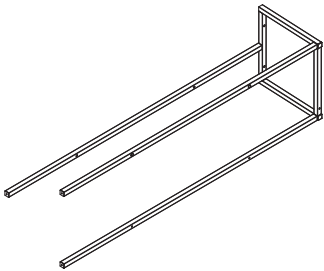
TOOLS REQUIRED



STEP 10

PARTS REQUIRED

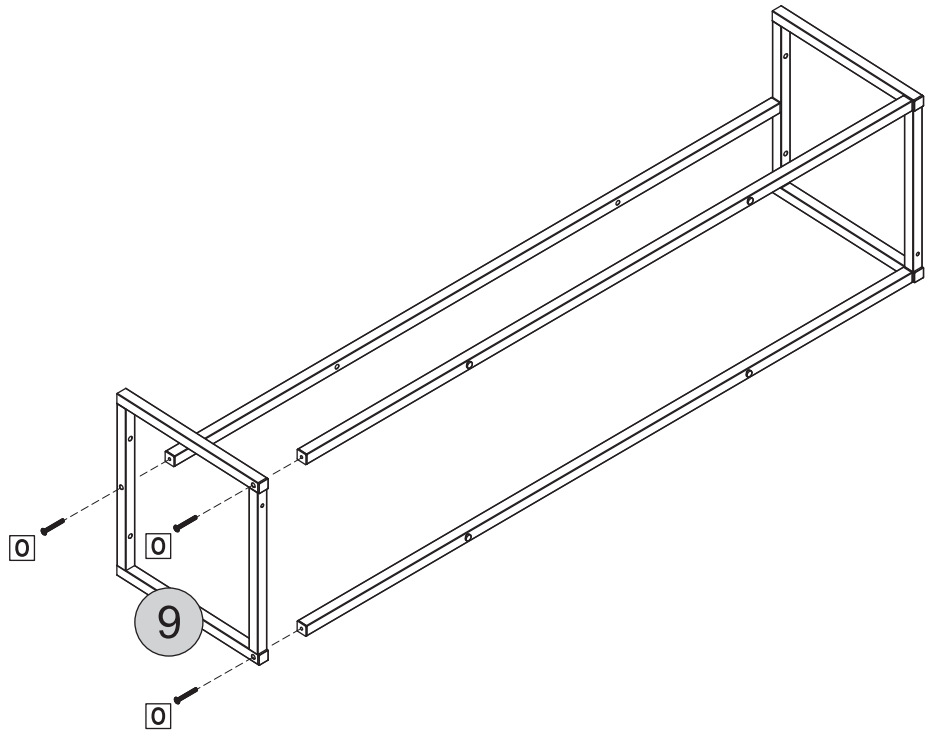
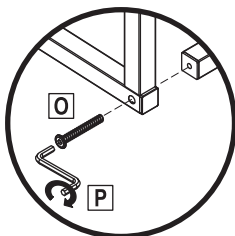
9 x1



HARDWARE REQUIRED

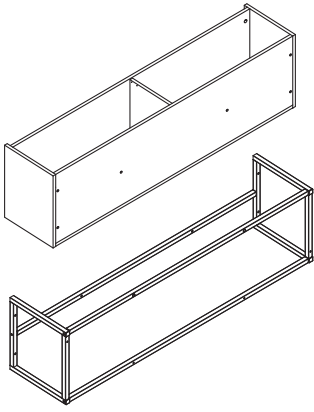
   M7x50mm x3

TOOLS REQUIRED

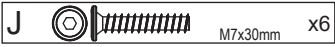


STEP 11

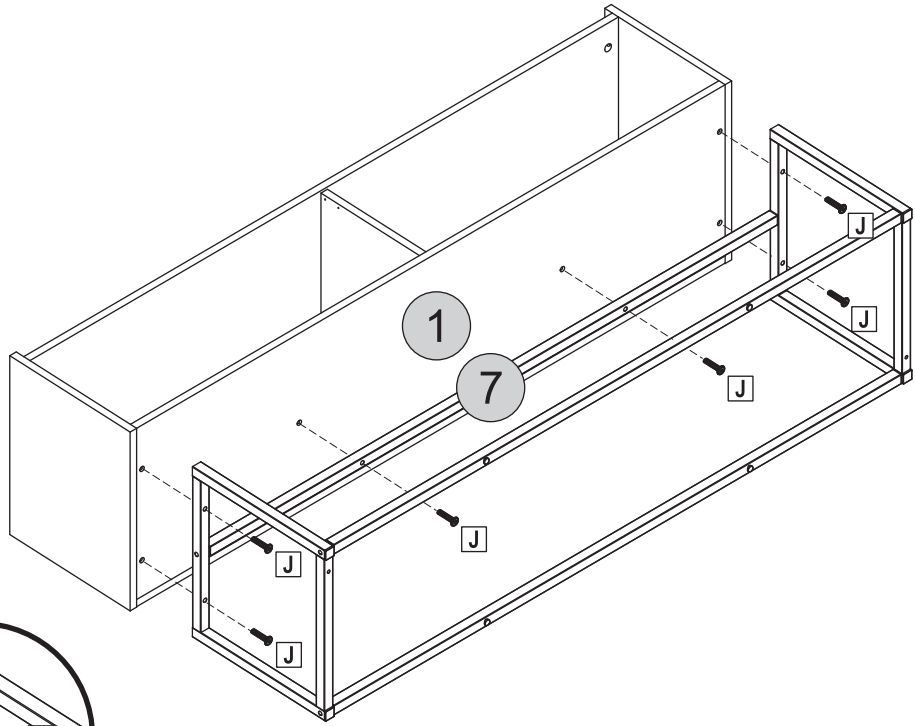
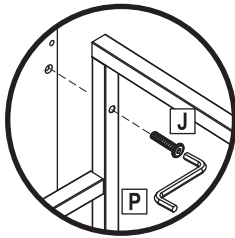
PARTS REQUIRED



HARDWARE REQUIRED

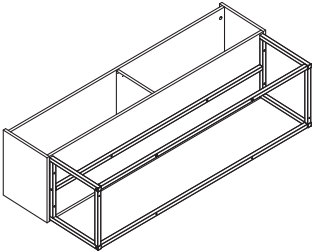


TOOLS REQUIRED

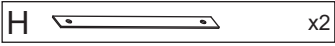
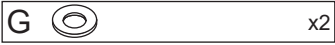
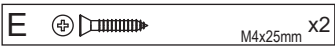


STEP 12

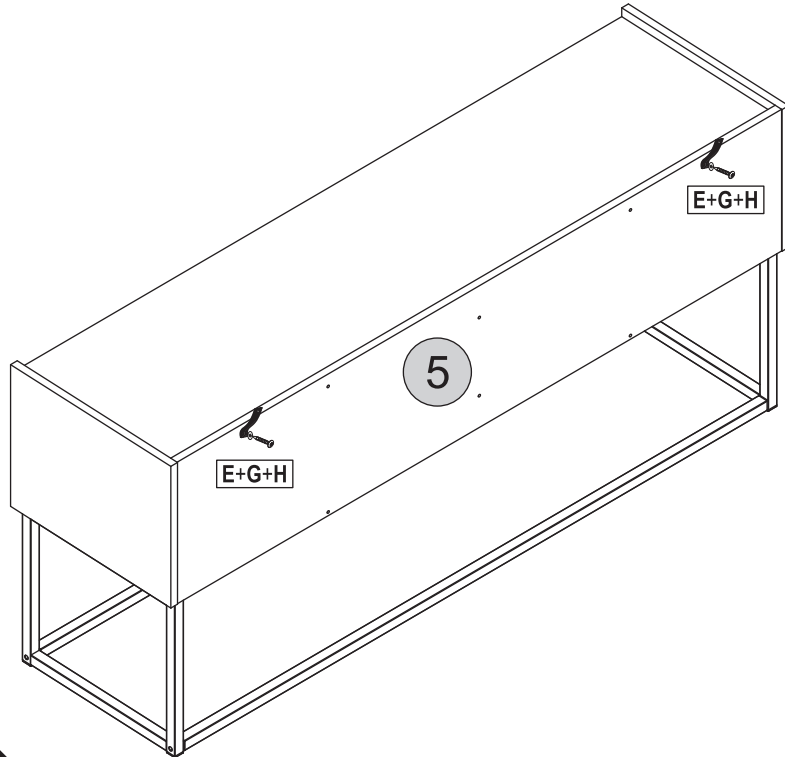
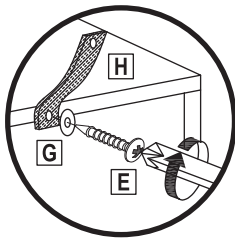
PARTS REQUIRED



HARDWARE REQUIRED



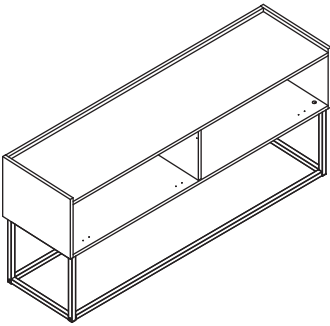
TOOLS REQUIRED



WALL-MOUNTING OPTIONS

STEP 13

PARTS REQUIRED



HARDWARE REQUIRED

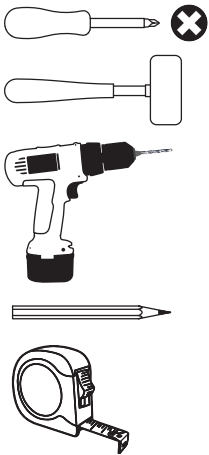
OPTION 1

D		M4x50mm	x2
G			x2
I			x2

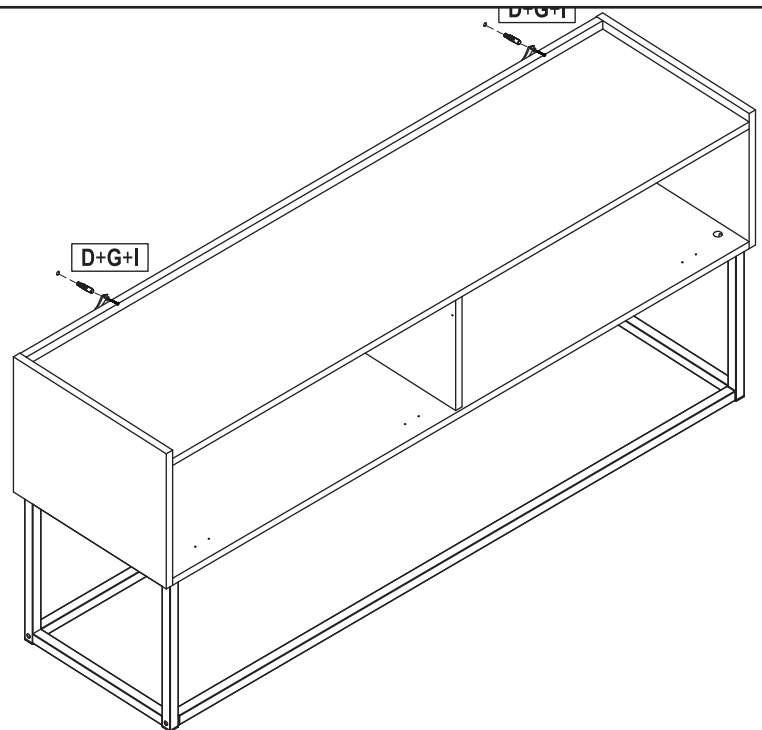
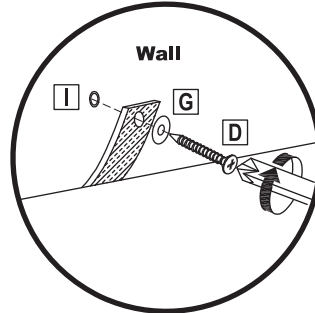
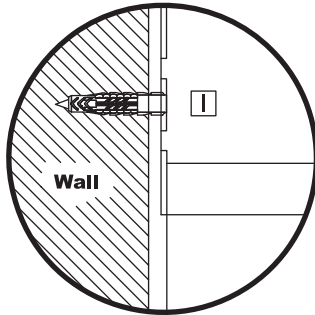
OPTION 2

D		M4x50mm	x2
I			x2

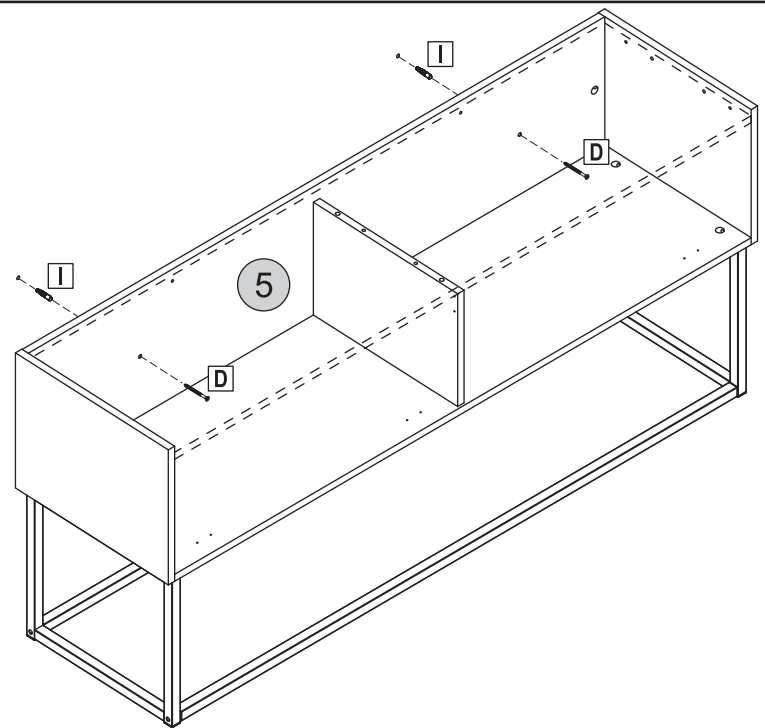
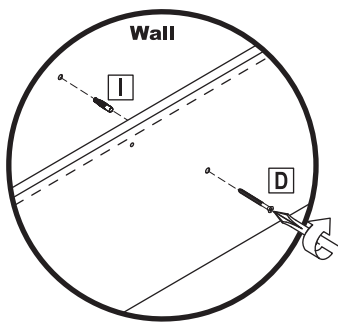
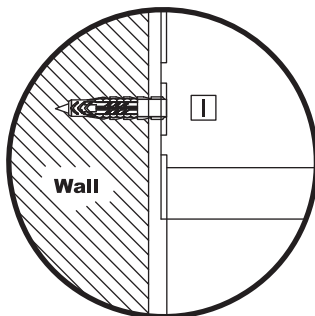
TOOLS REQUIRED



OPTION 1



OPTION 2



WARNING: Check for pipes and electrical wiring before drilling.

IMPORTANT: Walls constructed from brick, stone, or concrete will require special fittings (not included). When in doubt, consult a qualified professional.

Carefully measure the location of the pilot hole before drilling and installing the unit.

- Place the unit against the wall and mark the position for drilling the pilot hole.
- Using a power drill with a 6mm bit, drill a pilot hole to the depth of the wall anchor. For walls with softer material, a 5mm bit is recommended.
- Insert the wall anchor into the hole until the opening is flush with the wall. Ensure the wall anchors are well fitted and are tight in the pilot hole.
- Align the shelf with the wall anchors and secure using the 50mm screw.

STEP 14

PARTS REQUIRED

6 x1

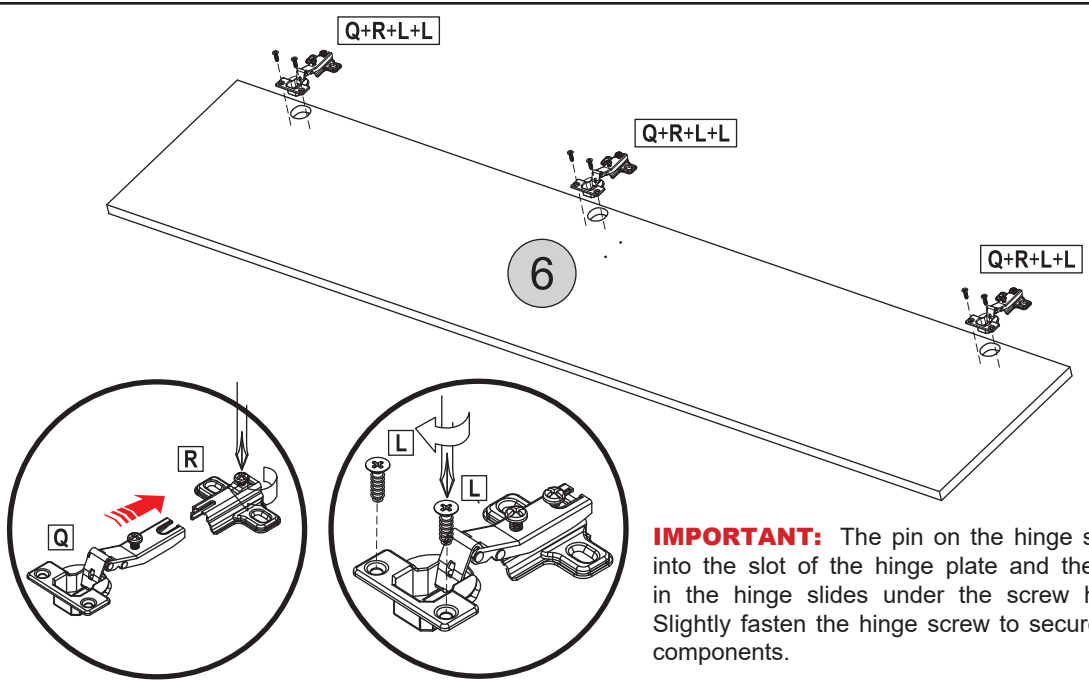
HARDWARE REQUIRED

L  M3.5x14mm x6

Q  x3

R  x3

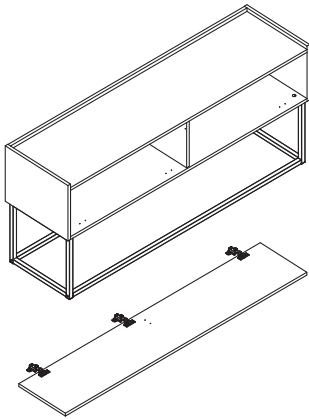
TOOLS REQUIRED



IMPORTANT: The pin on the hinge slides into the slot of the hinge plate and the slot in the hinge slides under the screw head. Slightly fasten the hinge screw to secure the components.

STEP 15

PARTS REQUIRED



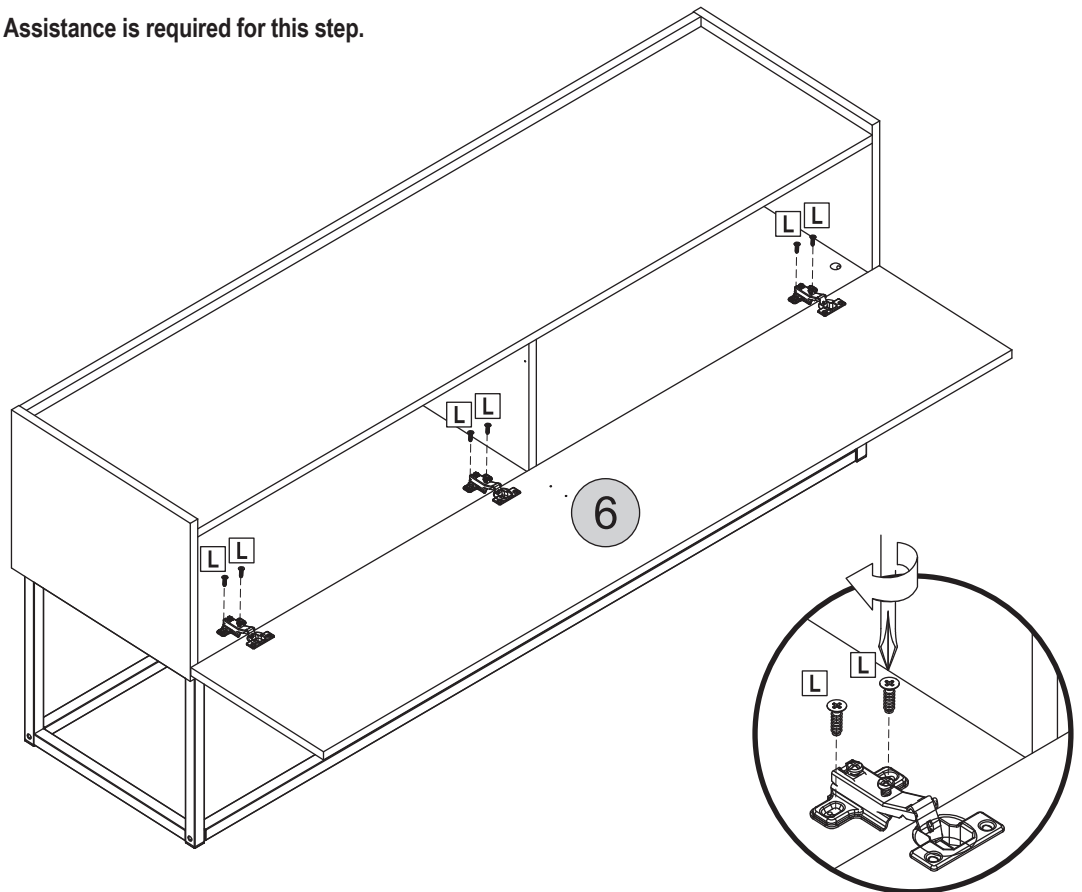
HARDWARE REQUIRED

L  M3.5x14mm x6

TOOLS REQUIRED



Assistance is required for this step.



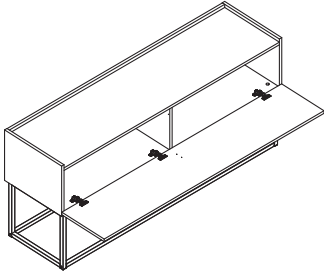
DOOR INSTALLATION

Please note, the unit must be level and plumb for the door to work properly. Under certain conditions, wall surfaces may not be plumb, which results in a slight gap, either at the top or bottom, or between the doors.

Carefully align the door and secure the hinge plates to the unit. Please note, you may also need to adjust the hinge screw(s) for the door to properly align [see Step 16].

STEP 16

PARTS REQUIRED



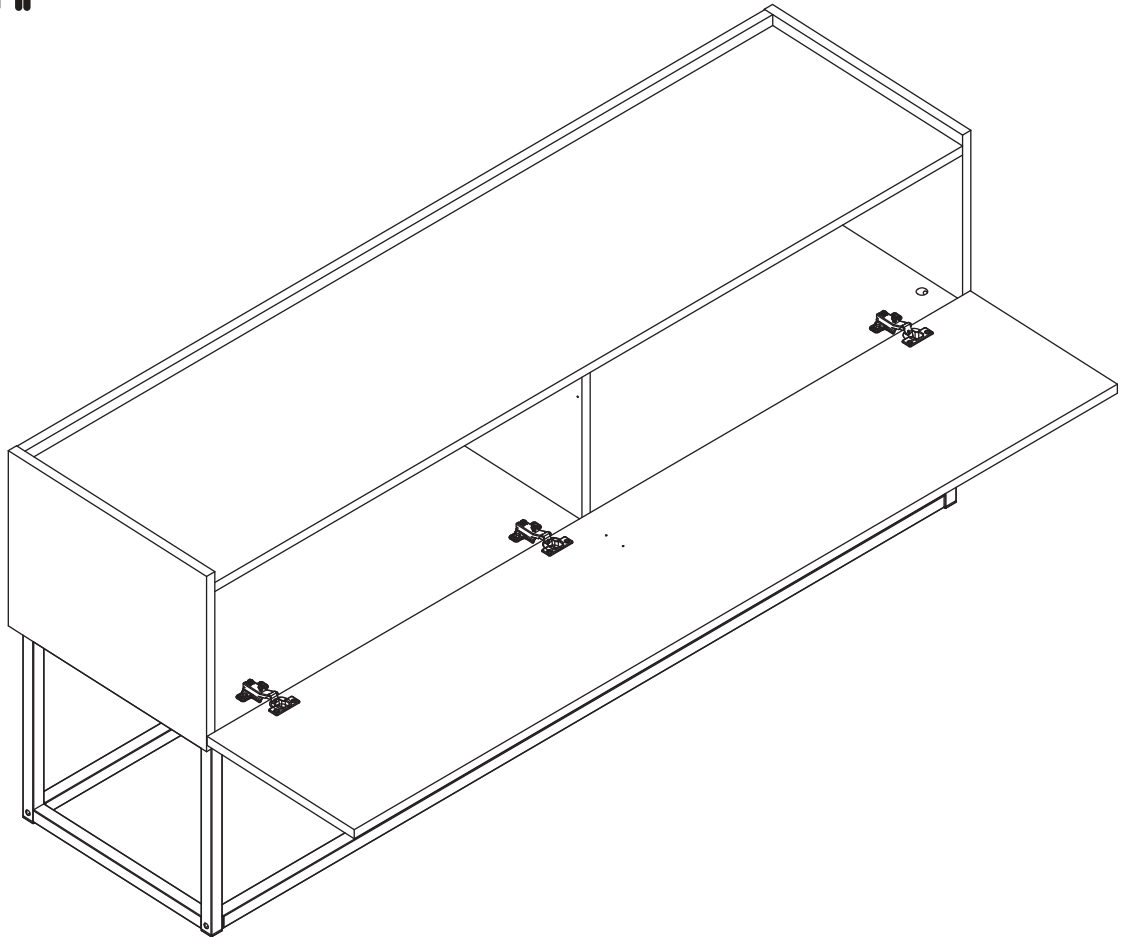
HARDWARE REQUIRED

F  x20

TOOLS REQUIRED

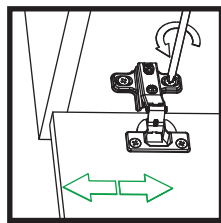


Assistance is recommended for this step.

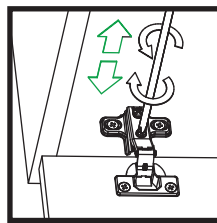


HINGE ADJUSTMENT

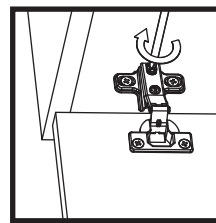
Please note, care must be taken during hinge adjustment to avoid damage. Only slight adjustment is required. Rotate the Door Adjustment screws 1/8 to 1/4 turns at a time, then check the door position. Rotate adjustment screws as necessary until doors are properly aligned.



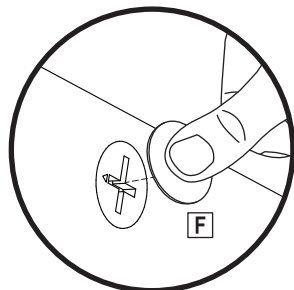
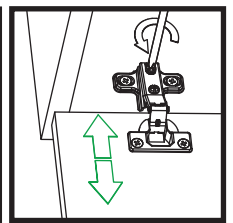
Internal Adjustment



Height Adjustment



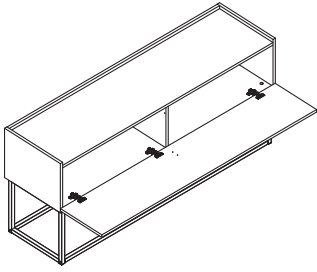
Depth Adjustment



After assembly is complete, use the included stickers to cover cam locks.

STEP 17

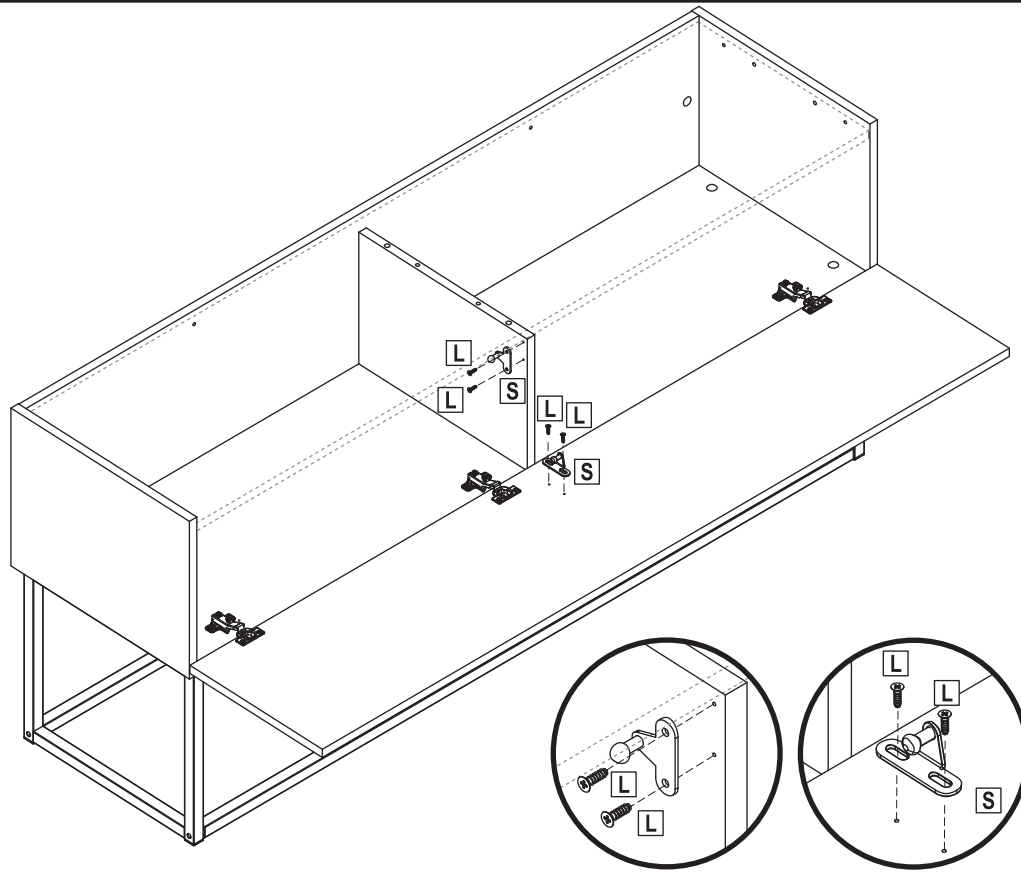
PARTS REQUIRED



HARDWARE REQUIRED

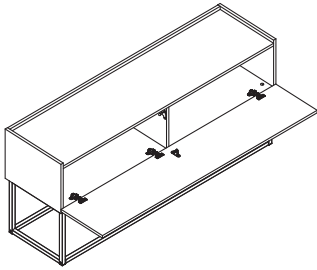
L		M3.5x14mm	x4
S			x1

TOOLS REQUIRED




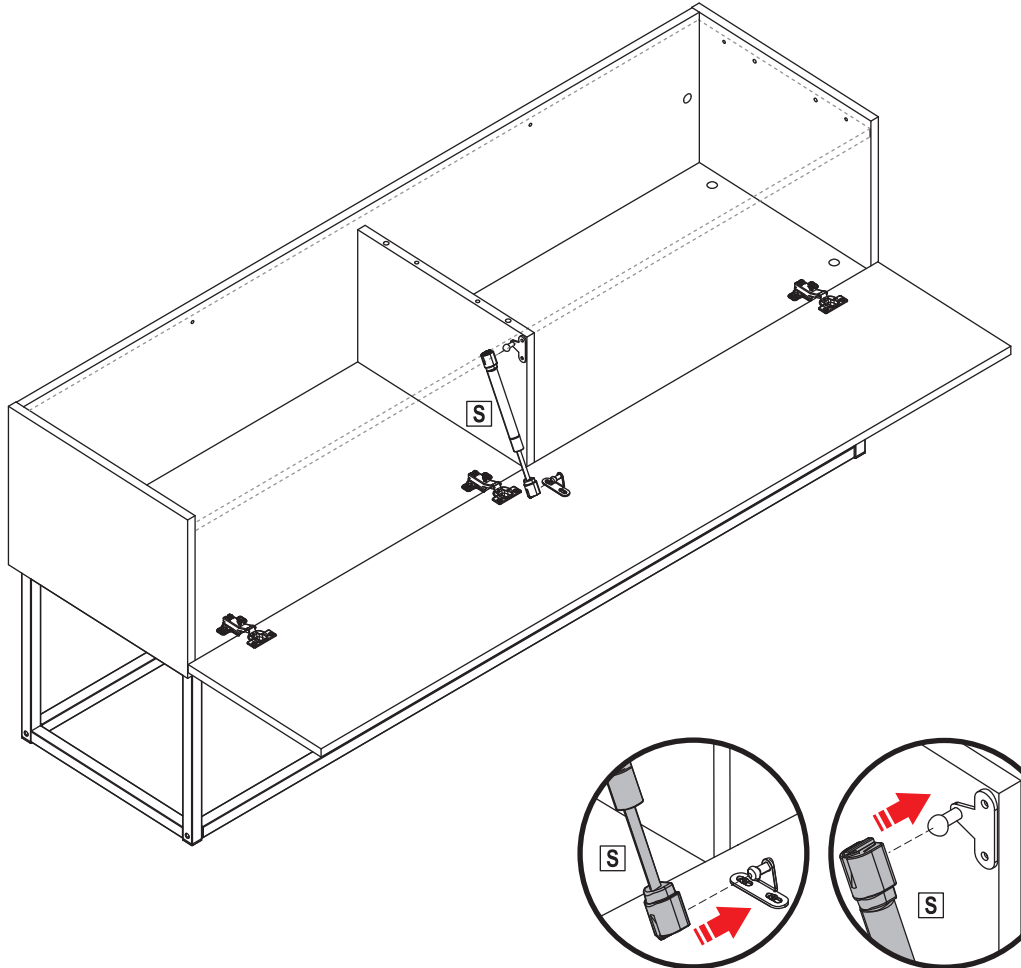
STEP 18

PARTS REQUIRED



HARDWARE REQUIRED

S			x1
---	-------------------------------------------------------------------------------------	--	----



SAFETY STATEMENTS & WARNINGS

- For residential use only. Not for commercial or industrial use.
- For indoor use only.
- Ensure all fittings are tight before use. Periodically check fittings to ensure they are tight.
- Only use this unit on a flat, level surface.
- Do not sit, stand or climb on the unit.
- Supervise children; never allow children to climb or sit on this unit as it may tip over and cause serious injury.
- Do not place liquids or hot items directly on the furniture.
- Never use chemical cleaning products or polishes as doing so may damage the finish.
- Do not exceed the weight capacity of the furniture.
- Do not overload the shelves, as doing so may cause them to sag.
- Never use the door as a shelf.
- Do not place weight on the door while it is open.
- Do not place the unit in direct sunlight.
- Avoid placing the unit near heating or cooling vents as forced air is very drying and can damage the unit.
- Do not write on furniture without a padded barrier to protect the surface.

Any modification to the product or failure to follow recommended care will void the product warranty.

If you experience issues with assembly or the product was damaged during shipping, please contact our customer service team directly through one of the methods mentioned at the top of page 1. Please have the item number and order information ready to expedite response time.

NOTICE:

Manufacturer and seller expressly disclaim any and all liability from personal injury, property damage or loss, whether direct or indirect, or incidental, resulting from the incorrect attachment, improper use, inadequate maintenance, or neglect of this product.