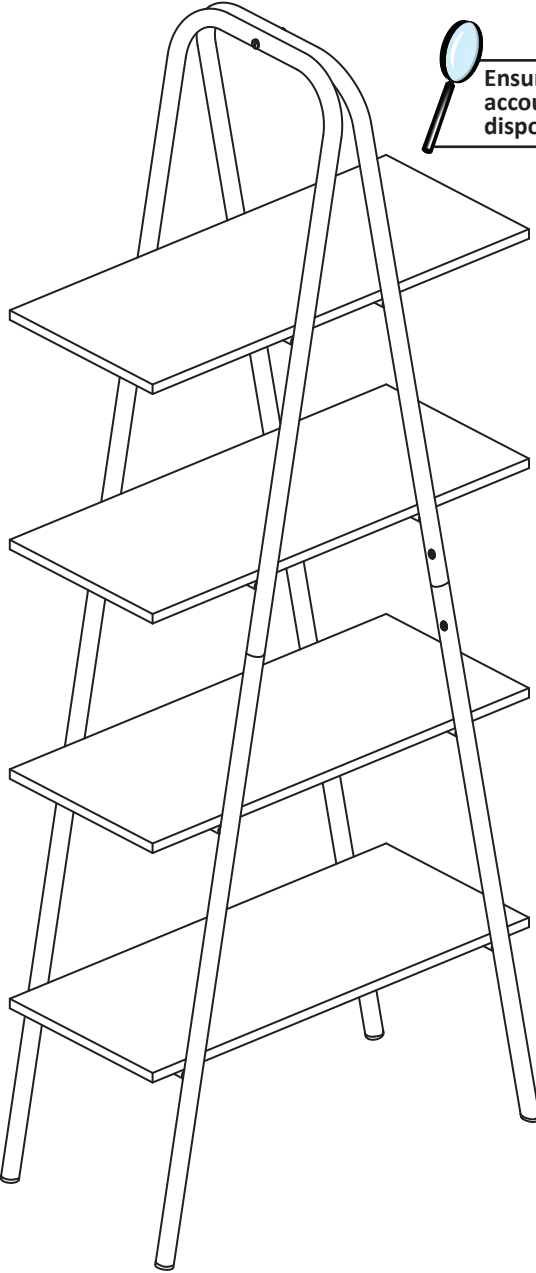



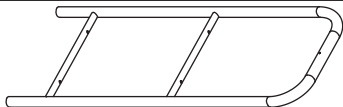

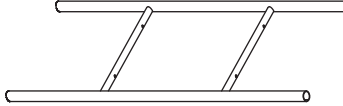
Thank you for choosing Sunnydaze Decor. We stand behind our brand and the quality of the items we sell. Replacement parts or products will be sent at our discretion within the 1-year warranty period. Proof of purchase, with the date of purchase as well as photos of the merchandise defect, must be provided. Photos are used to determine the cause of defects and for future quality control. Register your warranty at <https://tiny.cc/SunnydazeWarranty>. If you have any questions, comments or concerns, feel free to contact us by phone at 833-982-1977, by email: customerservice@sunnydazedecor.com, or via our contact us page at <https://tiny.cc/SunnydazeContact>


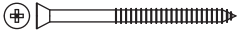

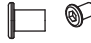

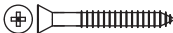






LADDER BOOKSHELF CRO-126

Carefully review assembly and care instructions before using this product. Save this document for future reference.
Assemble components on a soft, clean surface to avoid scratching or damaging the finish.


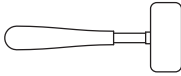



 Ensure all parts are accounted for before disposing of packaging.

No.	PARTS	QTY.
1	 Upper Side Panel	2
2	 Shelf	4
3	 Lower Side Panel	2

No.	HARDWARE	QTY.
A	 Protective Foot	4
B	 M4x50mm Flat Screw	2
C	 40mm Grub Screw	1
D	 Connector Cap Nut	2
E	 M4x14mm Wood Screw	2
F	 M4x30mm Flat Screw	16
G	 Wall Anchor	2
H	 Washer	4
I	 Anchor Strap	2
J	 Hex Key	1
K	 M4x12mm Bolt	8
L	 Side Panel Bracket	4

TOOLS REQUIRED (not included)

	Phillips Screwdriver
	Rubber Mallet
	Power Drill, 6mm Drill Bit

WARNING

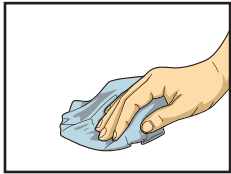
CHOKING HAZARD — This item contains small parts that can be swallowed. Keep children and pets away during assembly.

INTRODUCTION

Read the manual carefully to ensure you fully understand all use, care, assembly, and safety information.



Read this manual carefully and follow the assembly instructions in the order listed. Pay close attention to assembly drawings.



Regularly clean with a clean microfiber cloth to prevent dust accumulation.



Do not paint the unit.
Do not use abrasive materials or cleaners to clean the furniture; only use a slightly moistened cloth.



Indoor use only.
Do not expose the furniture to heat or humidity.



When cleaning nearby the furniture, do not allow contact with water or cleaners as it may deteriorate the furniture.

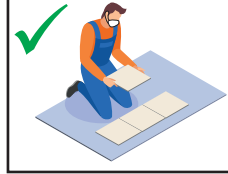


Do not allow metal components to come in contact with water or cleaners as it may cause rust and staining.



Assemble on a soft, flat, clean, and dry surface.

Use a soft, protective barrier when assembling the furniture.



TIP: Use the box carton as a protective layer to separate and protect the parts from scratches and other damage during assembly.



Do not push or drag furniture as doing so may damage the unit.
Only move furniture when it is empty.

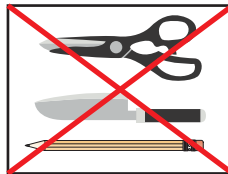


Always ask for help when moving furniture.



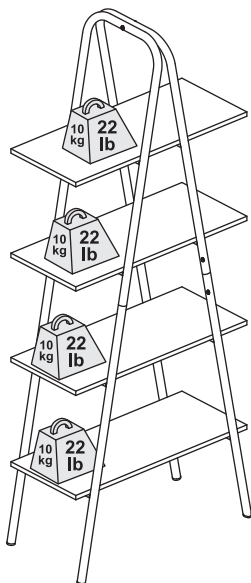
Avoid Accidents - Do not climb, sit or stand on the furniture.

Do not allow children to play on or inside the furniture.



Keep sharp objects away as they may scratch or damage the unit.

Do not use the furniture as a writing surface without a padded barrier.



WEIGHT CAPACITY

Please pay attention to the maximum weight supported by each shelf.

Always ensure weight is evenly distributed.

To ensure the quality of the product, take care not to exceed the weight capacities.

For maximum stability, anchor this unit to a wall using the included hardware.

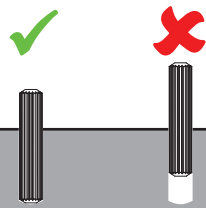
NOTICE:

Manufacturer and seller expressly disclaim any and all liability from personal injury, property damage or loss, whether direct or indirect, or incidental, resulting from the incorrect attachment, improper use, inadequate maintenance, or neglect of this product.

⚠ IMPORTANT INSTALLATION INFORMATION ⚠

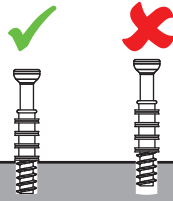
For the stability of the unit, it is important that furniture connectors are installed correctly. See drawings and tips below for proper installation.

Wood Dowel



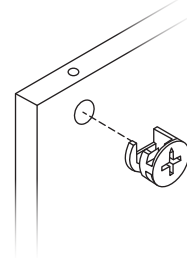
Install wood dowels by gently tapping them into the designated hole using a rubber mallet.

Cam Screw



Use a screwdriver to tighten the cam screw until the shoulder is flush with the panel. Do not over-tighten or under-tighten.

Cam Lock



Align the cam lock opening (arrow) with the pre-drilled hole on the side of the panel. Use a screwdriver to adjust alignment as needed.

ASSEMBLY

STEP 1

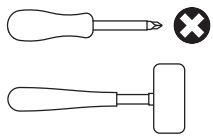
PARTS REQUIRED

1	x2	3	x2
---	----	---	----

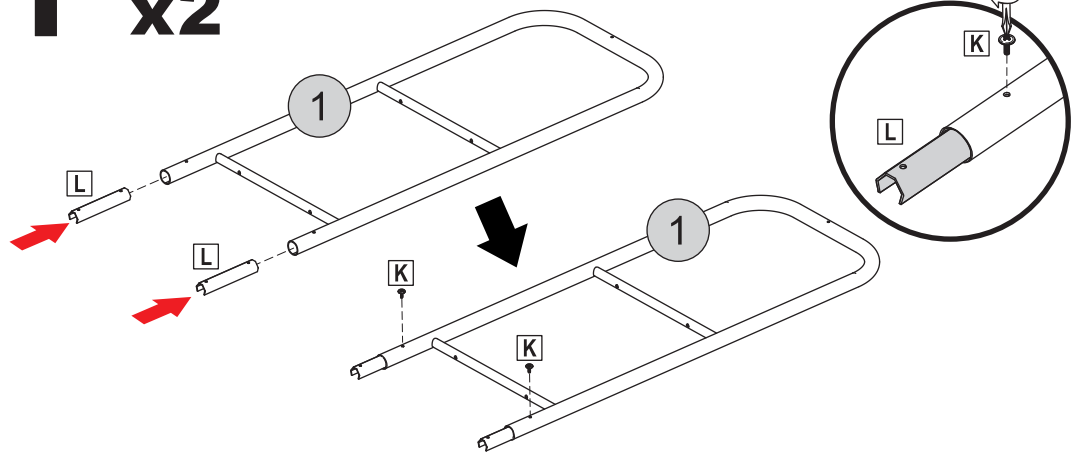
HARDWARE REQUIRED

A		x4
K	M4x12mm	x8
L		x4

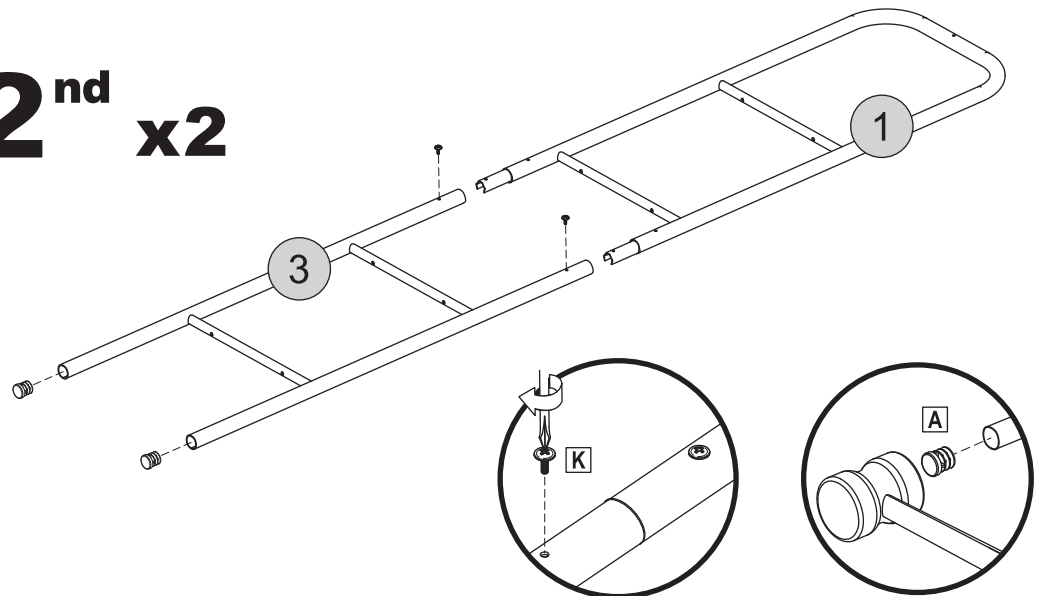
TOOLS REQUIRED



1st x2

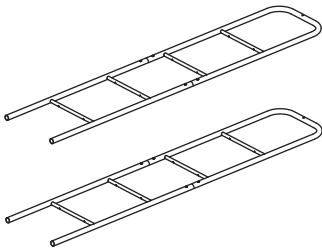


2nd x2

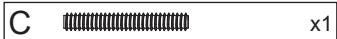


STEP 2

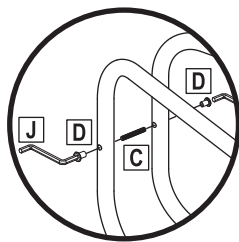
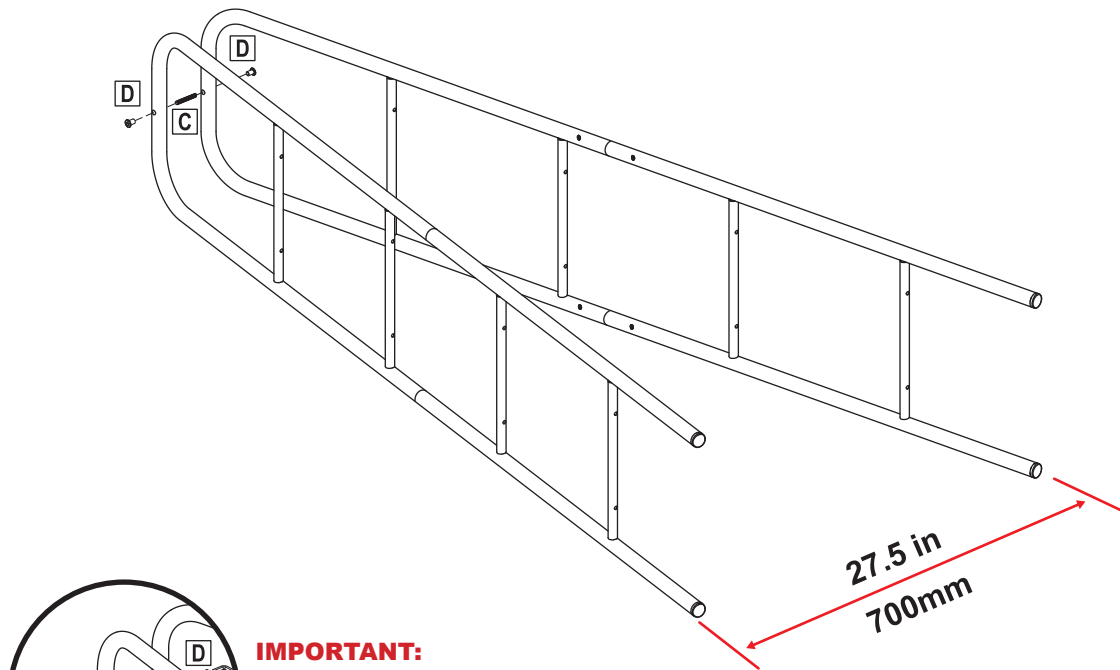
PARTS REQUIRED



HARDWARE REQUIRED



TOOLS REQUIRED



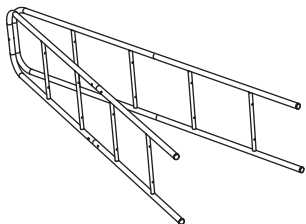
IMPORTANT:

Ensure the connector cap nuts are evenly fastened onto the ends of the grub screw.

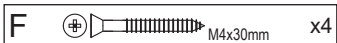
Do not over-tighten hardware, as space is needed for shelf installation.

STEP 3

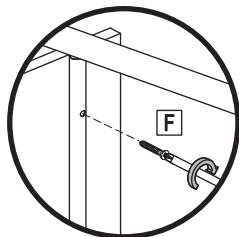
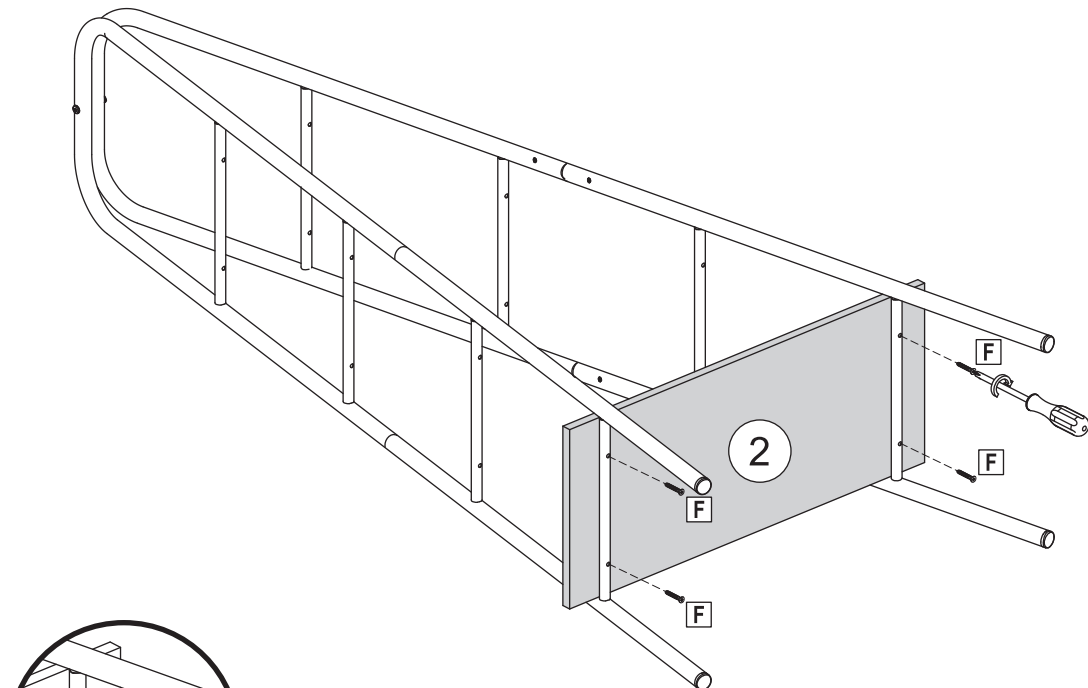
PARTS REQUIRED



HARDWARE REQUIRED



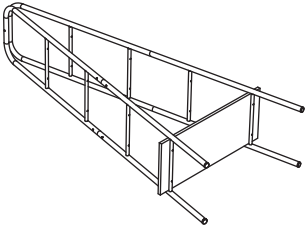
TOOLS REQUIRED



STEP 4

PARTS REQUIRED

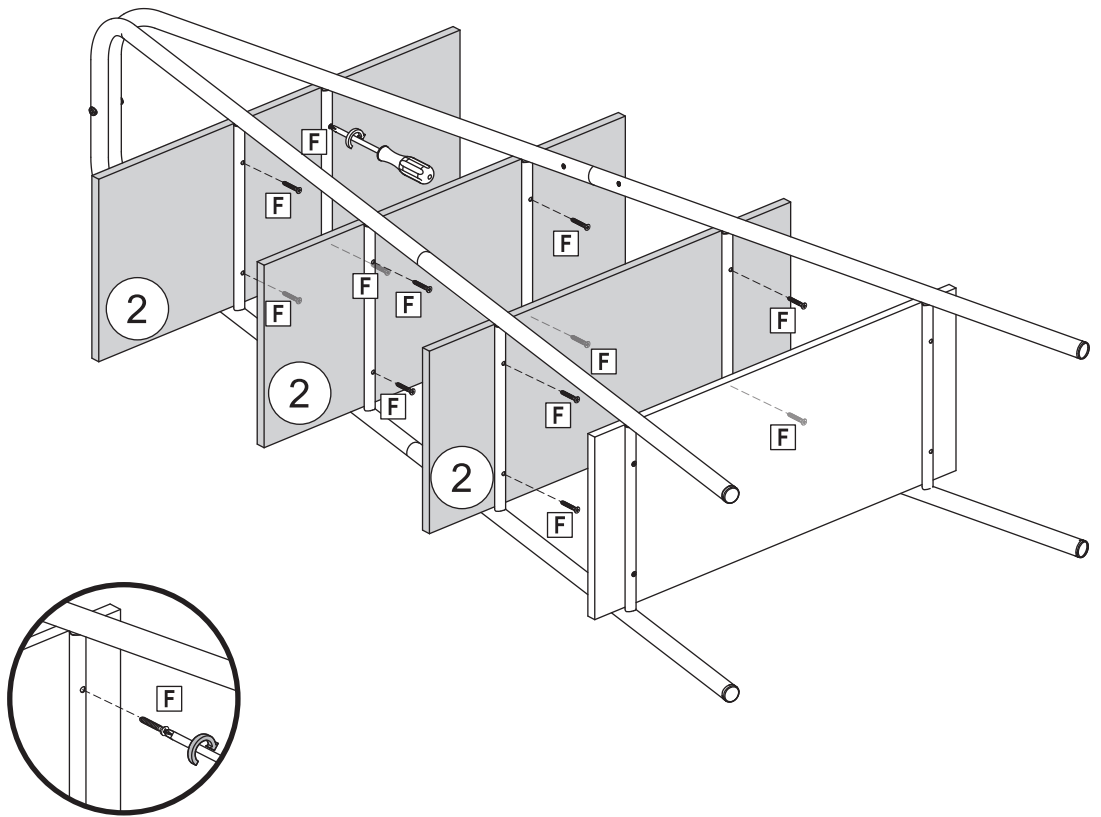
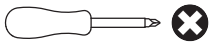
2 x3



HARDWARE REQUIRED

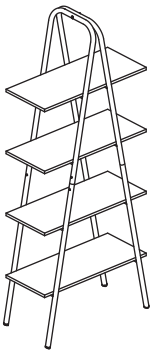
F  M4x30mm x12

TOOLS REQUIRED



STEP 5

PARTS REQUIRED



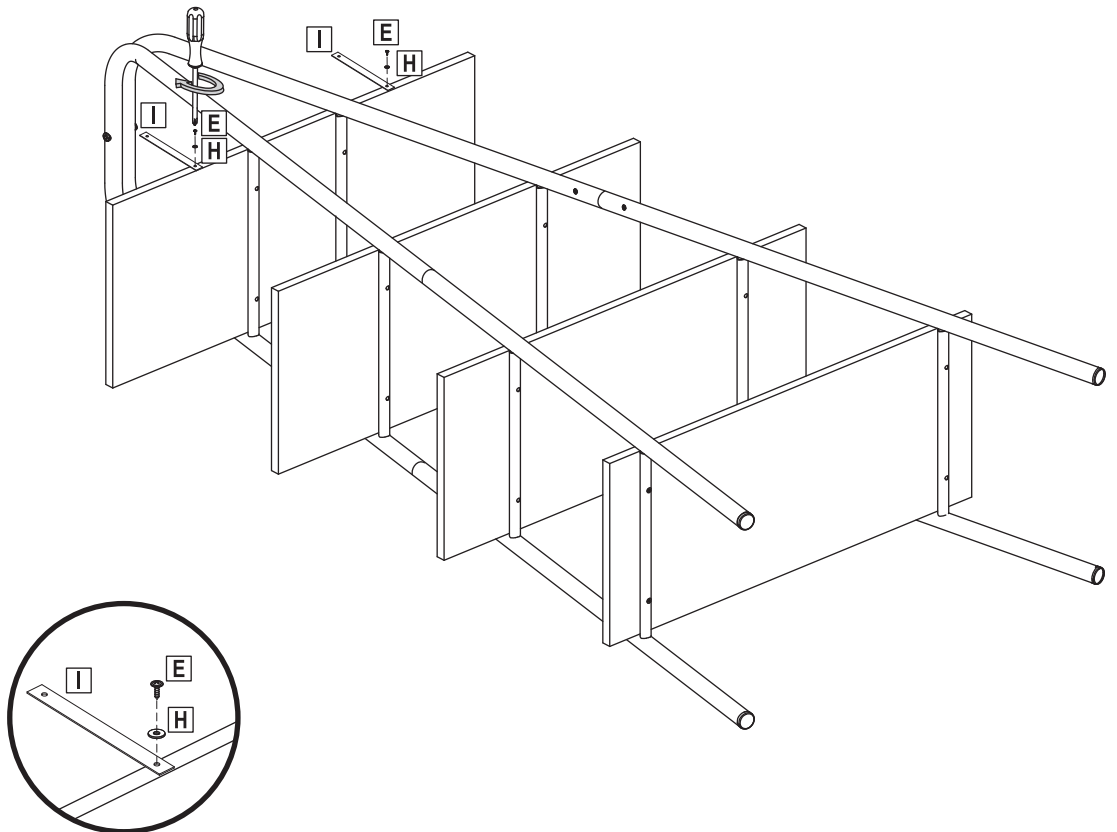
HARDWARE REQUIRED

E  M4x14mm x2

H  x2

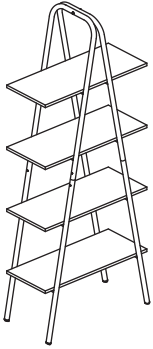
I  x2

TOOLS REQUIRED






STEP 6

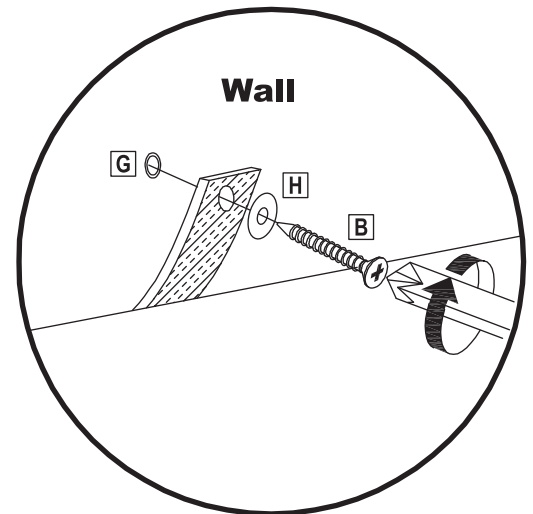
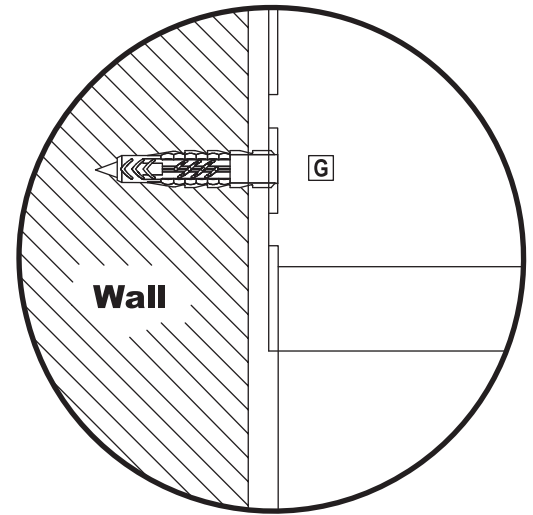
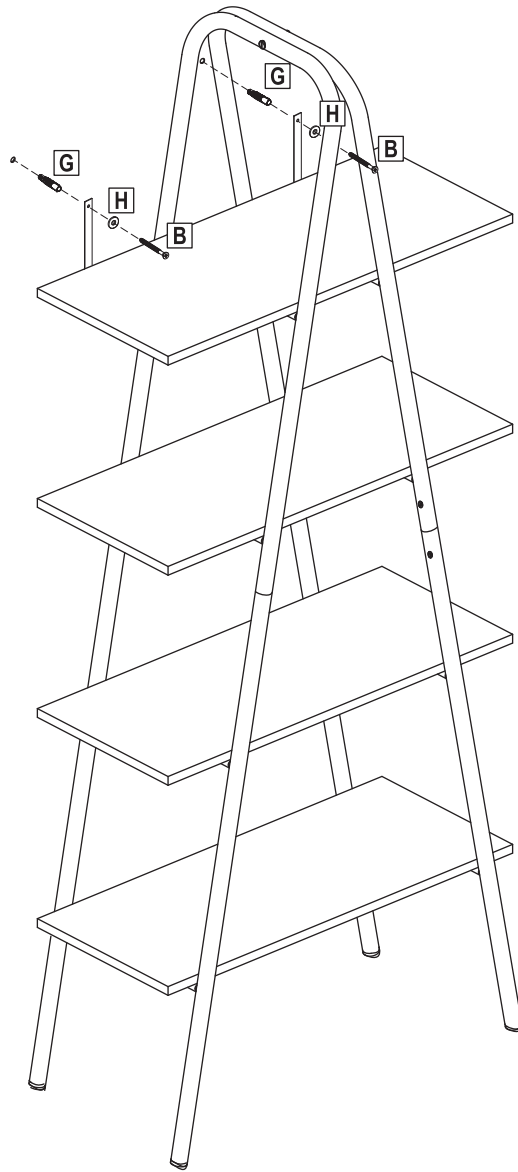
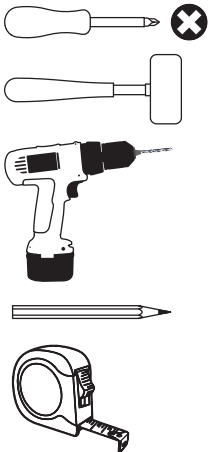
PARTS REQUIRED



HARDWARE REQUIRED

B	 M4x50mm	x2
G		x2
H		x2

TOOLS REQUIRED



WARNING: Check for pipes and electrical wiring before drilling.

IMPORTANT: Walls constructed from brick, stone, or concrete will require special fittings (not included). When in doubt, consult a qualified professional.

Carefully measure the location for the pilot holes before drilling and installing the unit.

- Place the shelf against the wall, hold the wall mounting straps against the wall and mark the position for drilling the pilot holes.
- Using a power drill with a 6mm bit, drill a pilot hole to the depth of the wall anchor. For walls with softer material, a 5mm bit is recommended.
- Insert each wall anchor into the hole until the opening is flush with the wall. Ensure the wall anchors are well fitted and are tight in the pilot hole.
- Secure the strap to the wall using the 50mm screw and washer.

SAFETY STATEMENTS & WARNINGS

- For residential use only. Not for commercial or industrial use.
- For indoor use only.
- Ensure all fittings are tight before use. Periodically check fittings to ensure they are tight.
- Only use this unit on a flat, level surface.
- Do not sit, stand or climb on the unit.
- Supervise children; never allow children to climb or sit on this unit as it may tip over and cause serious injury.
- Do not place liquids or hot items directly on the furniture.
- Never use chemical cleaning products or polishes as doing so may damage the finish.
- Do not exceed the weight capacity of the furniture.
- Do not overload the shelves, as doing so may cause them to sag.
- Do not place the unit in direct sunlight.
- Avoid placing the unit near heating or cooling vents as forced air is very drying and can damage the unit.
- Do not write on furniture without a padded barrier to protect the surface.

Any modification to the product or failure to follow recommended care will void the product warranty.

If you experience issues with assembly or the product was damaged during shipping, please contact our customer service team directly through one of the methods mentioned at the top of page 1. Please have the item number and order information ready to expedite response time.

NOTICE:

Manufacturer and seller expressly disclaim any and all liability from personal injury, property damage or loss, whether direct or indirect, or incidental, resulting from the incorrect attachment, improper use, inadequate maintenance, or neglect of this product.