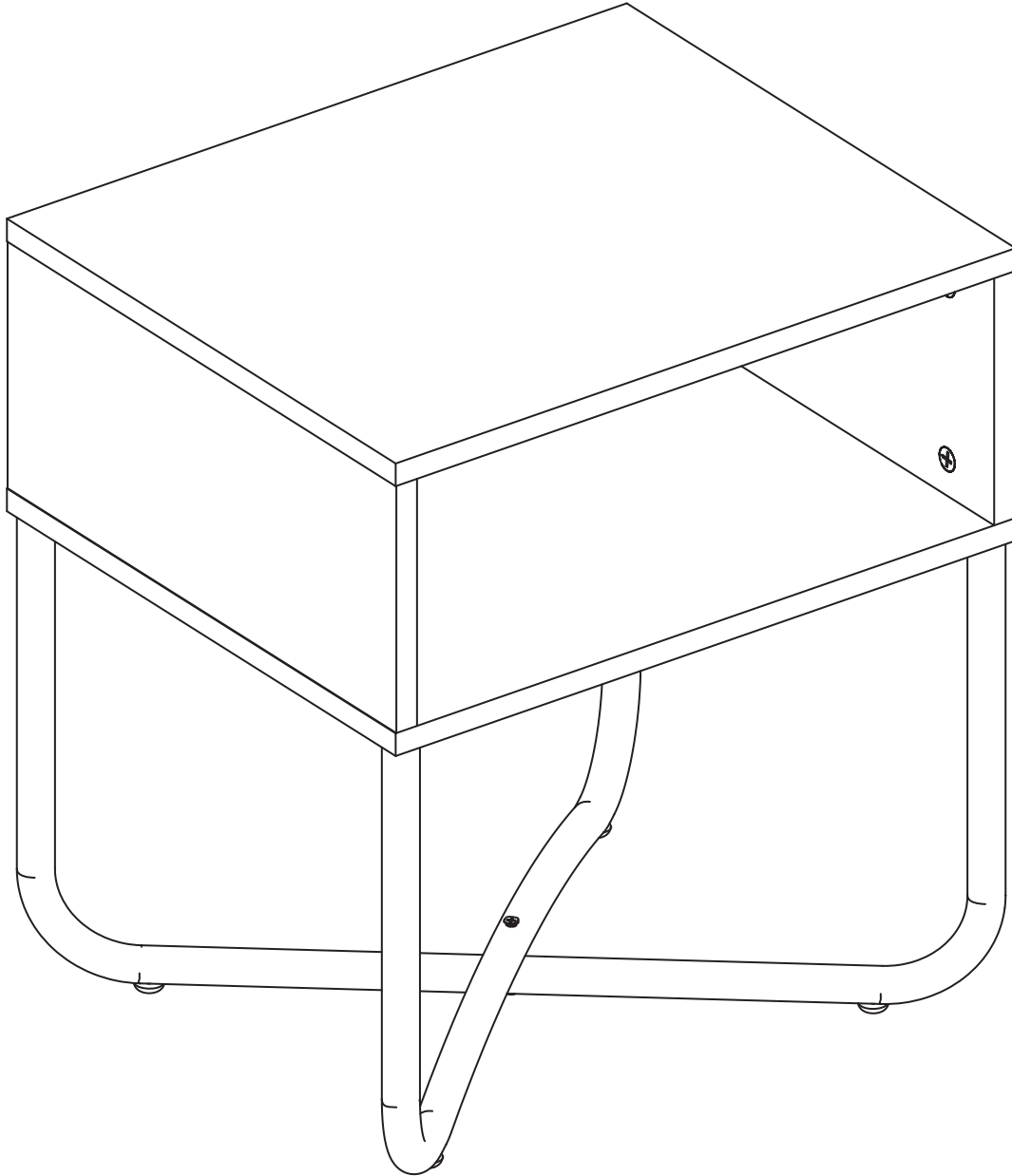


# SIDE TABLE WITH SHELF CRO-102

Carefully review assembly and care instructions before using this product. Save this document for future reference.  
**Assemble components on a soft, clean surface to avoid scratching or damaging the finish.**



## ! HELPFUL HINTS

Sunnydaze Decor advises reviewing this manual fully, and assembling the unit soon after purchase. Check that all parts are accounted for and familiarize yourself with the assembly before beginning.

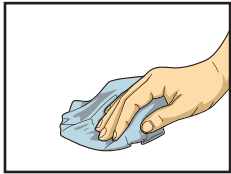
**SAVE THIS MANUAL FOR FUTURE REFERENCE.**

# INTRODUCTION

**Read the manual carefully to ensure you fully understand all use, care, assembly, and safety information.**



Read this manual carefully and follow the assembly instructions in the order listed. Pay close attention to assembly drawings.



Regularly clean with a clean microfiber cloth to prevent dust accumulation.



Do not paint the unit.  
Do not use abrasive materials or cleaners to clean the furniture; only use a slightly moistened cloth.



Indoor use only.  
Do not expose the furniture to heat or humidity.



When cleaning nearby the furniture, do not allow contact with water or cleaners as it may deteriorate the furniture.

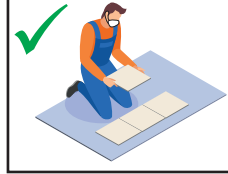


Do not allow metal components to come in contact with water or cleaners as it may cause rust and staining.



Assemble on a soft, flat, clean, and dry surface.

Use a soft, protective barrier when assembling the furniture.



**TIP:** Use the box carton as a protective layer to separate and protect the parts from scratches and other damage during assembly.



Do not push or drag furniture as doing so may damage the unit.  
Only move furniture when it is empty.

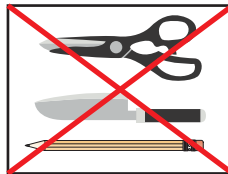


Always ask for help when moving furniture.

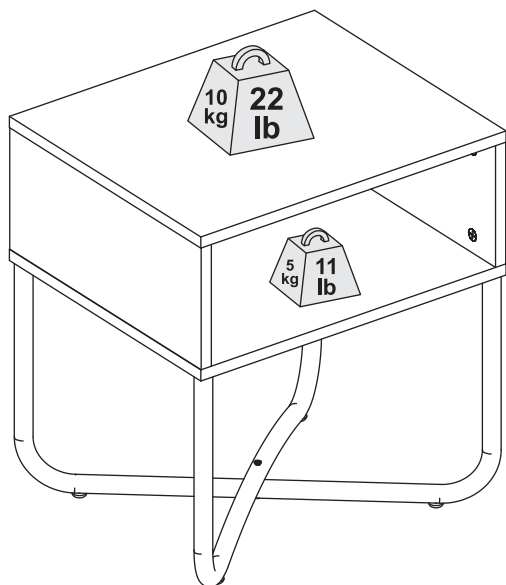


**Avoid Accidents** - Do not climb, sit or stand on the furniture.

Do not allow children to play on or inside the furniture.



Keep sharp objects away as they may scratch or damage the unit.  
Do not use the furniture as a writing surface without a padded barrier.



## WEIGHT CAPACITY

Please pay attention to the maximum weight supported by each compartment.

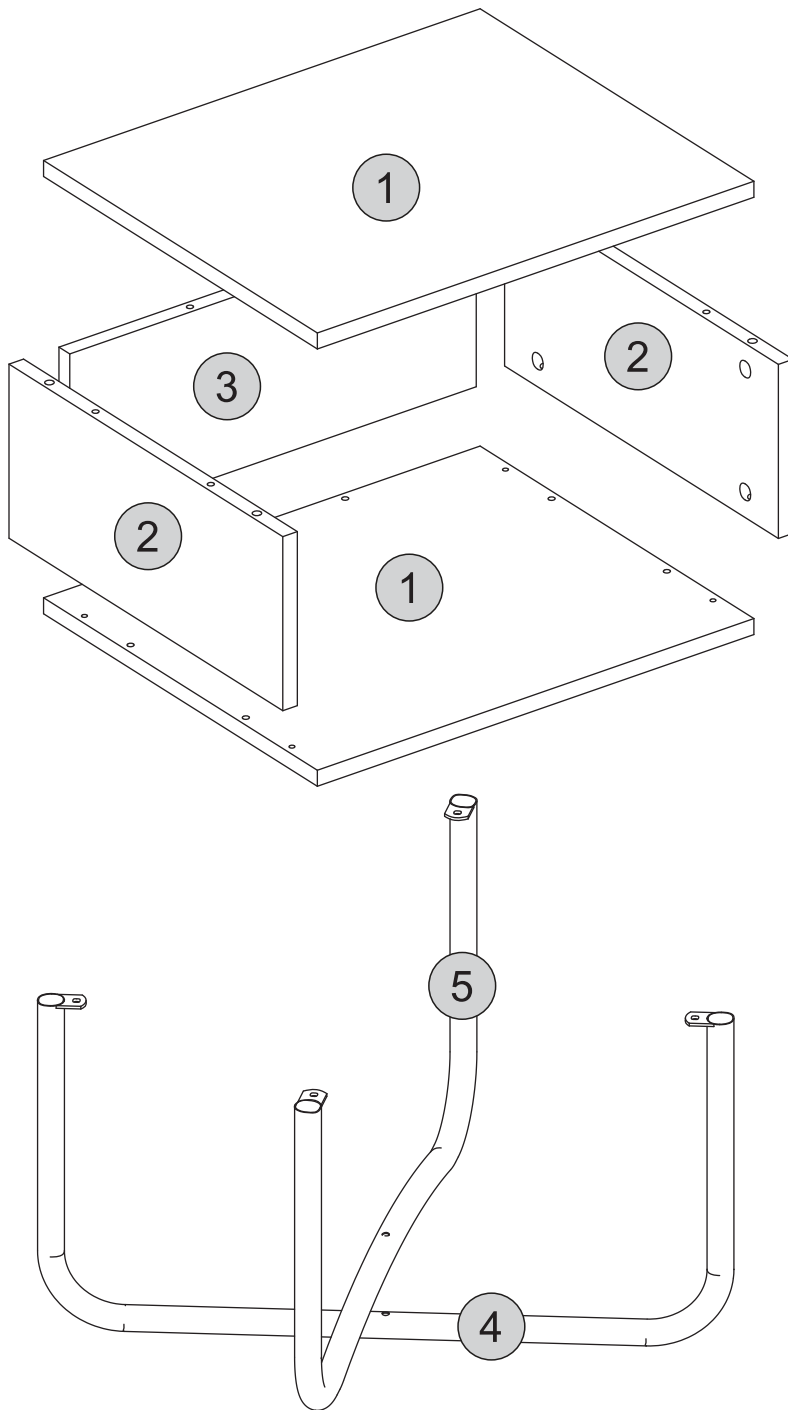
Always ensure weight is evenly distributed.

To ensure the quality of the product, take care not to exceed the weight capacities.

### **⚠ NOTICE:**

Manufacturer and seller expressly disclaim any and all liability from personal injury, property damage or loss, whether direct or indirect, or incidental, resulting from the incorrect attachment, improper use, inadequate maintenance, or neglect of this product.

# COMPONENTS



Inspect packaging to ensure all parts are accounted for before disposing of packing materials.

No.	PART NAME	QTY.
1	Top/Base Panel	2
2	Side Panel	2
3	Back Panel	1
4	Bottom Leg	1
5	Top Leg	1

No.	HARDWARE	QTY.
A	Protective Foot	4
B	M4x20mm Mating Screw	1
C	M4x27mm Chicago Bolt	1
D	M4x14mm Wood Screw	4
E	Cam Lock	8
F	Cam Screw	8
G	Wood Dowel	12
I	Sticker	8

## TOOLS REQUIRED (not included)

	Phillips Screwdriver
	Rubber Mallet

## WARNING

**CHOKING HAZARD** — This item contains small parts that can be swallowed. Keep children and pets away during assembly.

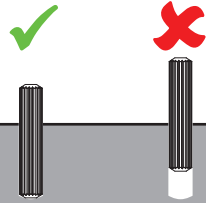
## NOTICE:

Manufacturer and seller expressly disclaim any and all liability from personal injury, property damage or loss, whether direct or indirect, or incidental, resulting from the incorrect attachment, improper use, inadequate maintenance, or neglect of this product.

# ⚠ IMPORTANT INSTALLATION INFORMATION ⚠

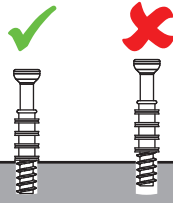
For the stability of the unit, it is important that furniture connectors are installed correctly. See drawings and tips below for proper installation.

## Wood Dowel



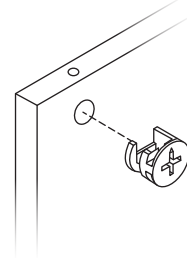
Install wood dowels by gently tapping them into the designated hole using a rubber mallet.

## Cam Screw



Use a screwdriver to tighten the cam screw until the shoulder is flush with the panel. Do not over-tighten or under-tighten.

## Cam Lock



Align the cam lock opening (arrow) with the pre-drilled hole on the side of the panel. Use a screwdriver to adjust alignment as needed.


# ASSEMBLY

## STEP 1

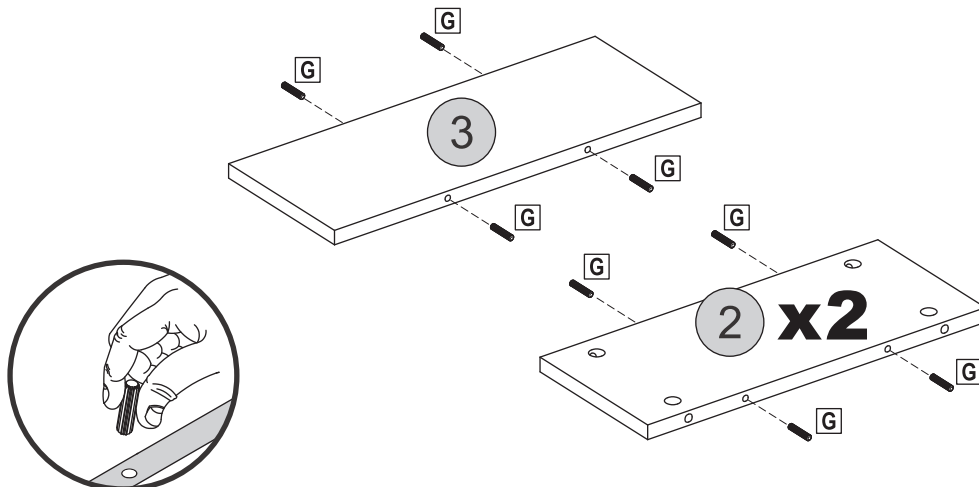
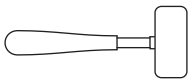
### PARTS REQUIRED

2 x2 3 x1

### HARDWARE REQUIRED

G  x12

### TOOLS REQUIRED




## STEP 2

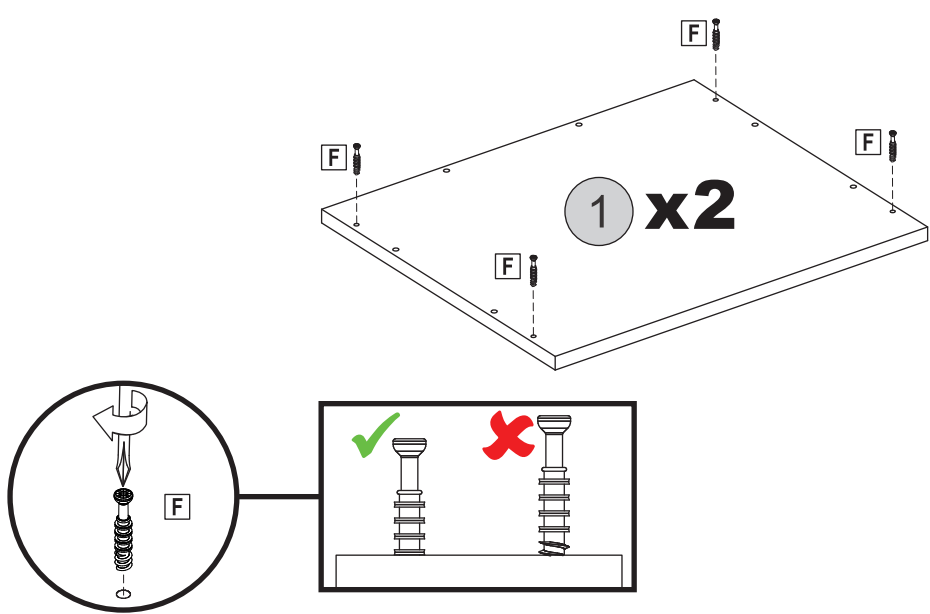
### PARTS REQUIRED

1 x2

### HARDWARE REQUIRED

F  x8

### TOOLS REQUIRED



### STEP 3

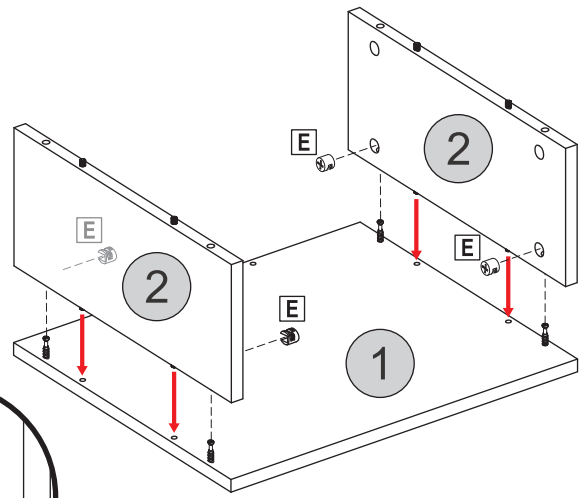
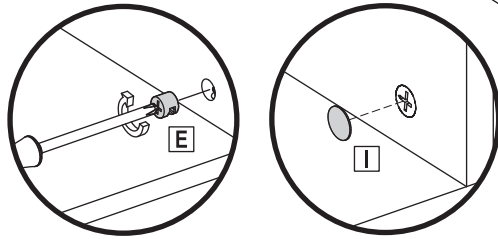
#### PARTS REQUIRED

1 x1 2 x2

#### HARDWARE REQUIRED

E		x4
I		x4

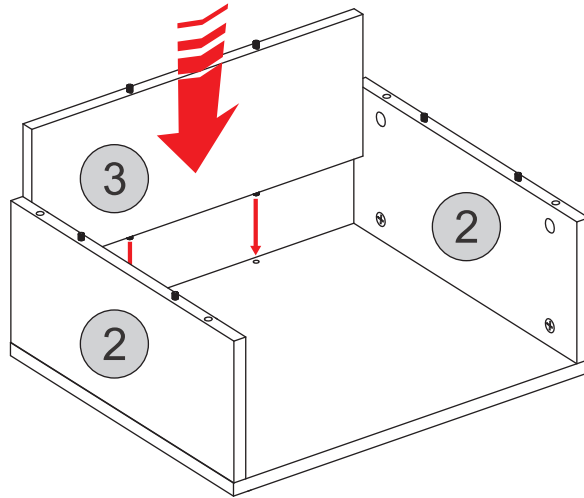
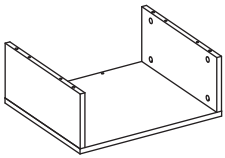
#### TOOLS REQUIRED



### STEP 4

#### PARTS REQUIRED

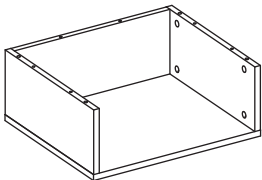
3 x1





### STEP 5

#### PARTS REQUIRED

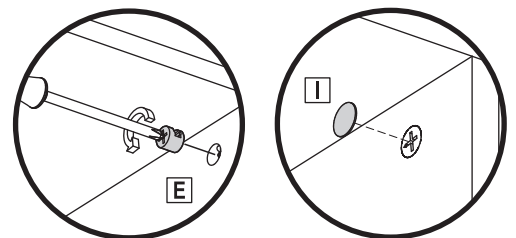
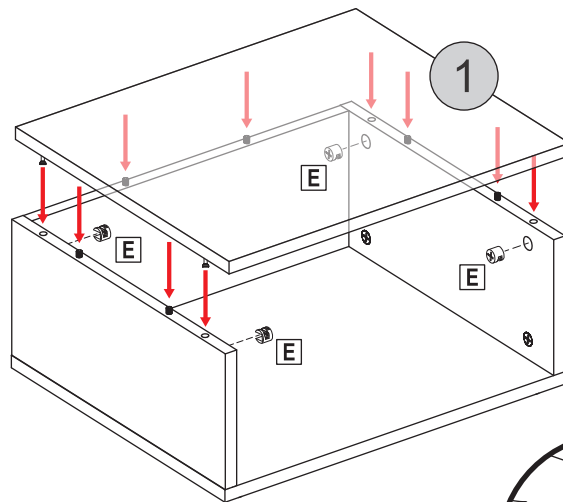
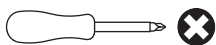
1 x1



#### HARDWARE REQUIRED

E		x4
I		x4

#### TOOLS REQUIRED



## STEP 6

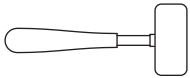
### PARTS REQUIRED

4 x1 5 x1

### HARDWARE REQUIRED

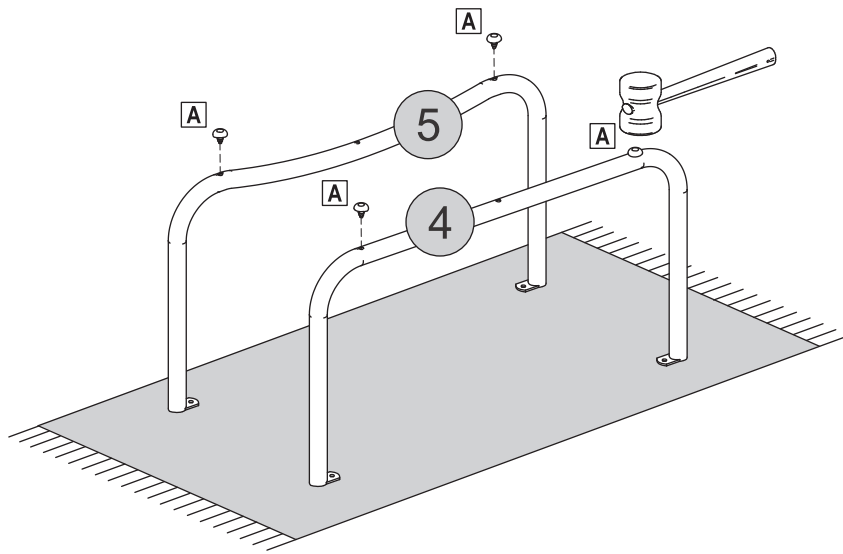
A  x4

### TOOLS REQUIRED



### IMPORTANT:

Assemble on a soft surface to prevent damaging the unit and/or the assembly surface.




## STEP 7

### PARTS REQUIRED

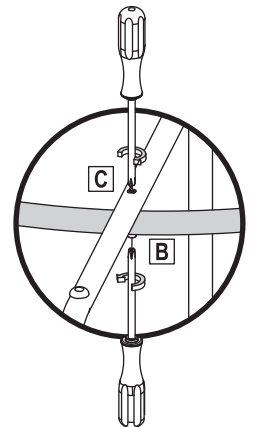
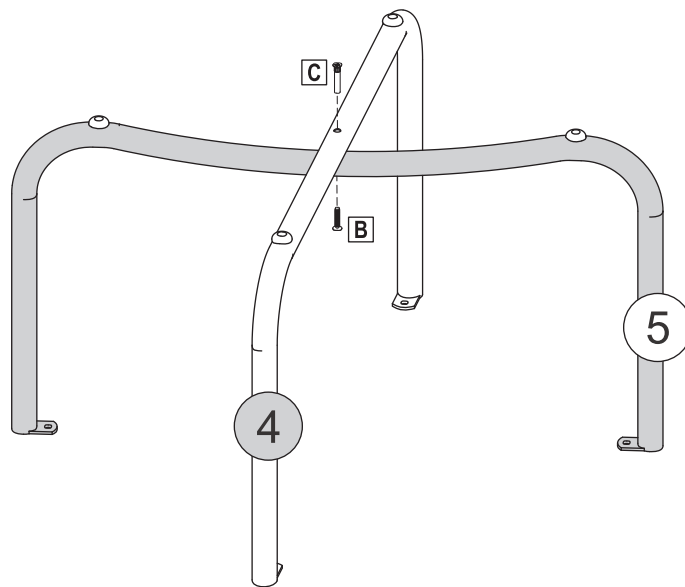
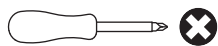
4 x1 5 x1

### HARDWARE REQUIRED

B  M4x20mm x1

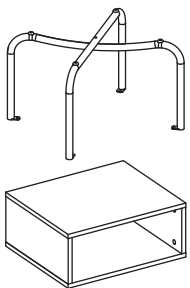
C  M4x27mm x1

### TOOLS REQUIRED




## STEP 8

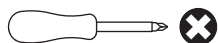
### PARTS REQUIRED



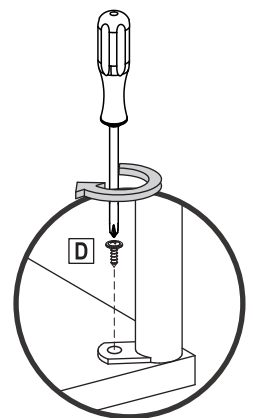
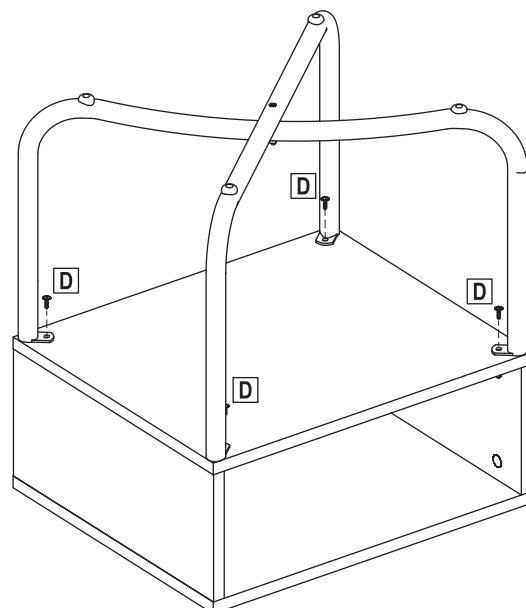
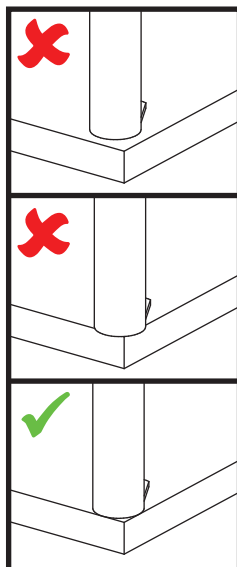
### HARDWARE REQUIRED

D  M4x14mm x4

### TOOLS REQUIRED



### Alignment



**IMPORTANT:** Ensure the legs are aligned with the bottom panel as indicated in the diagram above.

## SAFETY STATEMENTS & WARNINGS

- For residential use only. Not for commercial or industrial use.
- For indoor use only.
- Ensure all fittings are tight before use. Periodically check fittings to ensure they are tight.
- Only use this unit on a flat, level surface.
- Do not sit, stand or climb on the unit.
- Supervise children; never allow children to climb or sit on this unit as it may tip over and cause serious injury.
- Do not place liquids or hot items directly on the furniture.
- Never use chemical cleaning products or polishes as doing so may damage the finish.
- Do not exceed the weight capacity of the furniture.
- Do not overload the shelf as doing so may cause it to sag.
- Do not place the unit in direct sunlight.
- Avoid placing the unit near heating or cooling vents as forced air is very drying and can damage the unit.
- Do not write on furniture without a padded barrier to protect the surface.

**Any modification to the product or failure to follow recommended care will void the product warranty.**

*If you experience issues with assembly or the product was damaged during shipping, please contact our customer service team directly through one of the methods mentioned at the top of page 1. Please have the item number and order information ready to expedite response time.*

## NOTICE:

**Manufacturer and seller expressly disclaim any and all liability from personal injury, property damage or loss, whether direct or indirect, or incidental, resulting from the incorrect attachment, improper use, inadequate maintenance, or neglect of this product.**