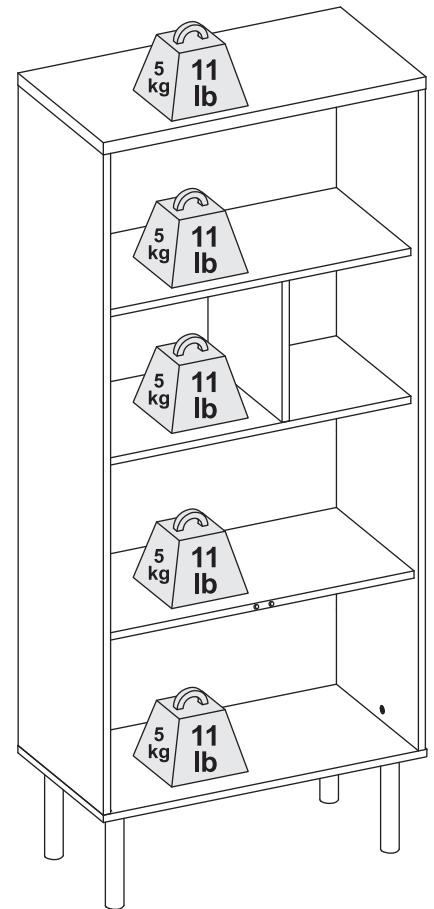
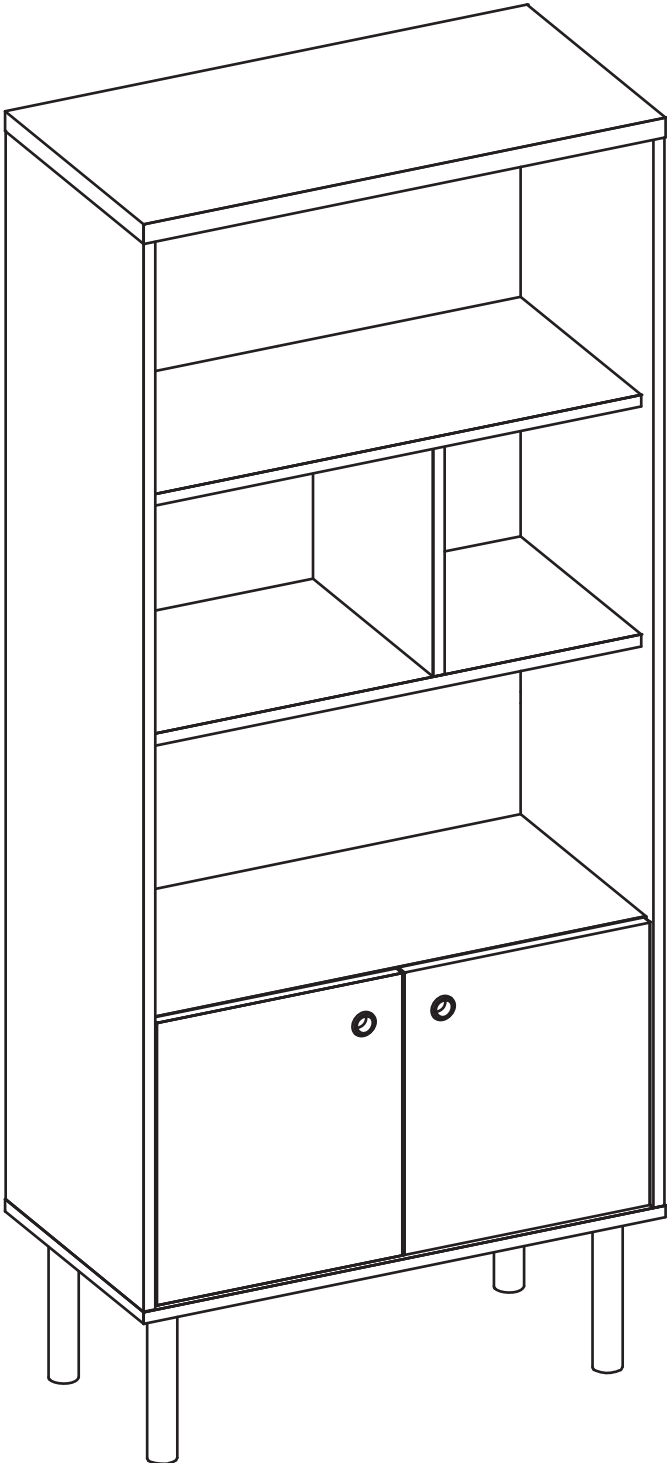


MID-CENTURY MODERN BOOKSHELF CABINET

Carefully review assembly and care instructions before using this product. Save this document for future reference.
Assemble components on a soft, clean surface to avoid scratching or damaging the finish.



! HELPFUL HINTS

Sunnydaze Decor advises reading this manual fully, and assembling the item soon after purchase.

Check that all parts are accounted for and familiarize yourself with the assembly before beginning.

SAVE THIS MANUAL FOR FUTURE REFERENCE.

INTRODUCTION

Read the manual carefully to ensure you fully understand all use, care, assembly, and safety information.



Read this manual carefully and follow the assembly instructions in the order listed. Pay close attention to assembly drawings.



Regularly clean with a clean microfiber cloth to prevent dust accumulation.



Do not paint the unit.
Do not use abrasive materials or cleaners to clean the furniture.



Indoor use only.
Do not expose the furniture to heat or humidity.



When cleaning nearby the furniture, do not allow contact with water or cleaners as it may deteriorate the furniture.



Do not allow metal components to come in contact with water or cleaners as it may cause rust and staining.



Assemble on a soft, flat, clean, and dry surface.

Use a soft, protective barrier when assembling the furniture.



TIP: Use the box carton as a protective layer to separate and protect the parts from scratches and other damage during assembly.



Do not push or drag furniture as doing so may damage the unit.

Only move furniture when it is empty.

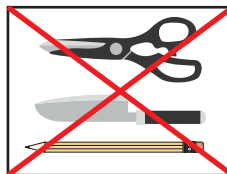
Always ask for help when moving furniture.



Avoid Accidents - Do not climb, sit or stand on the furniture.



Do not allow children to play on or inside the furniture.



Keep sharp objects away as they may scratch or damage the unit.

Do not use the furniture as a writing surface without a padded barrier.

NOTICE:

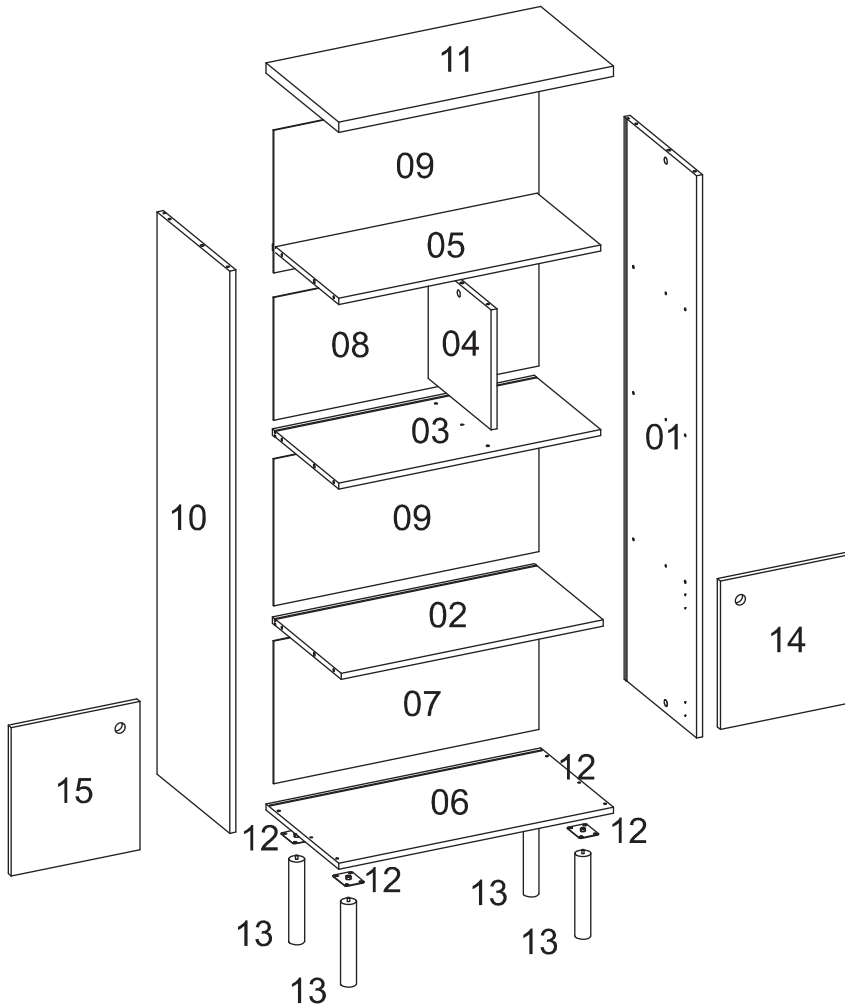
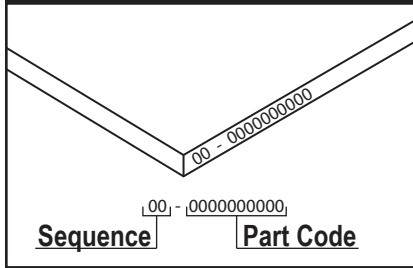
Manufacturer and seller expressly disclaim any and all liability from personal injury, property damage or loss, whether direct or indirect, or incidental, resulting from the incorrect attachment, improper use, inadequate maintenance, or neglect of this product.

COMPONENTS

BEFORE BEGINNING ASSEMBLY:

✓ Check all components match the parts list; the parts come with the code stamped on, as shown in the drawing to the left

✓ Separate hardware by type



SEQ.	PART CODE	PART NAME	QTY.
01	50971	Right Panel	1
02	50973	Cabinet Top	1
03	50974	Lower Shelf	1
04	50975	Backing Board	1
05	50981	Upper Shelf	1
06	50969	Cabinet Bottom	1
07	50980	Bottom Backing Board	1
08	50979	Medium Backing Board	1
09	50978	Backing Board	2
10	50972	Left Panel	1
11	50970	Top Shelf	1
12	MET0121	Leg Mounting Plate	4
13	PES0370	Leg	4
14	50977	Right Door	1
15	50976	Left Door	1

No.	HARDWARE	QTY.
A	Wood Dowel	24
B	Cam Screw	11
C	Cam Lock	11
D	Sticker	4
E	M3.5x12mm Flat Screw	16
F	M3.5x12mm Round Screw	32
G	Bumper	2
H	Plastic Wedge	16
I	Hinge Plate	4
J	Hinge	4
K	Grommet	2
L	M3.5x50mm Flat Screw	1
Z1	Bracket	1
Z2	M3.5x12mm Round Screw	2
Z3	Wall Anchor	1
Z4	M5x50mm Flat Screw	1

TOOLS REQUIRED (not included)

	Phillips Screwdriver
	Rubber Mallet
	Power Drill with 1/4" (7mm) Drill Bit



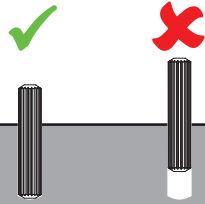
WARNING

CHOKING HAZARD — This item contains small parts that can be swallowed. Keep children and pets away during assembly.

⚠ IMPORTANT INSTALLATION INFORMATION ⚠

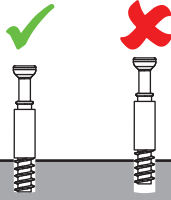
For the stability of the unit, it is important that furniture connectors are installed correctly. See drawings and tips below for proper installation.

Wood Dowel



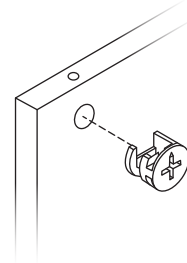
Install wood dowels by gently tapping them into the designated hole using a rubber mallet.

Cam Screw



Use a screwdriver to secure the threaded end of the cam screw into the designated hole, as shown.

Cam Lock



Align the cam lock opening (arrow) with the pre-drilled hole. Use a screwdriver to adjust alignment.

IMPORTANT: Take care not to over-tighten screws as doing so may crack the wood or strip the screw hole, causing a weak connection and reduced stability.

ASSEMBLY

STEP 1

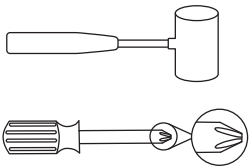
PARTS REQUIRED

01 x1 10 x1

HARDWARE REQUIRED

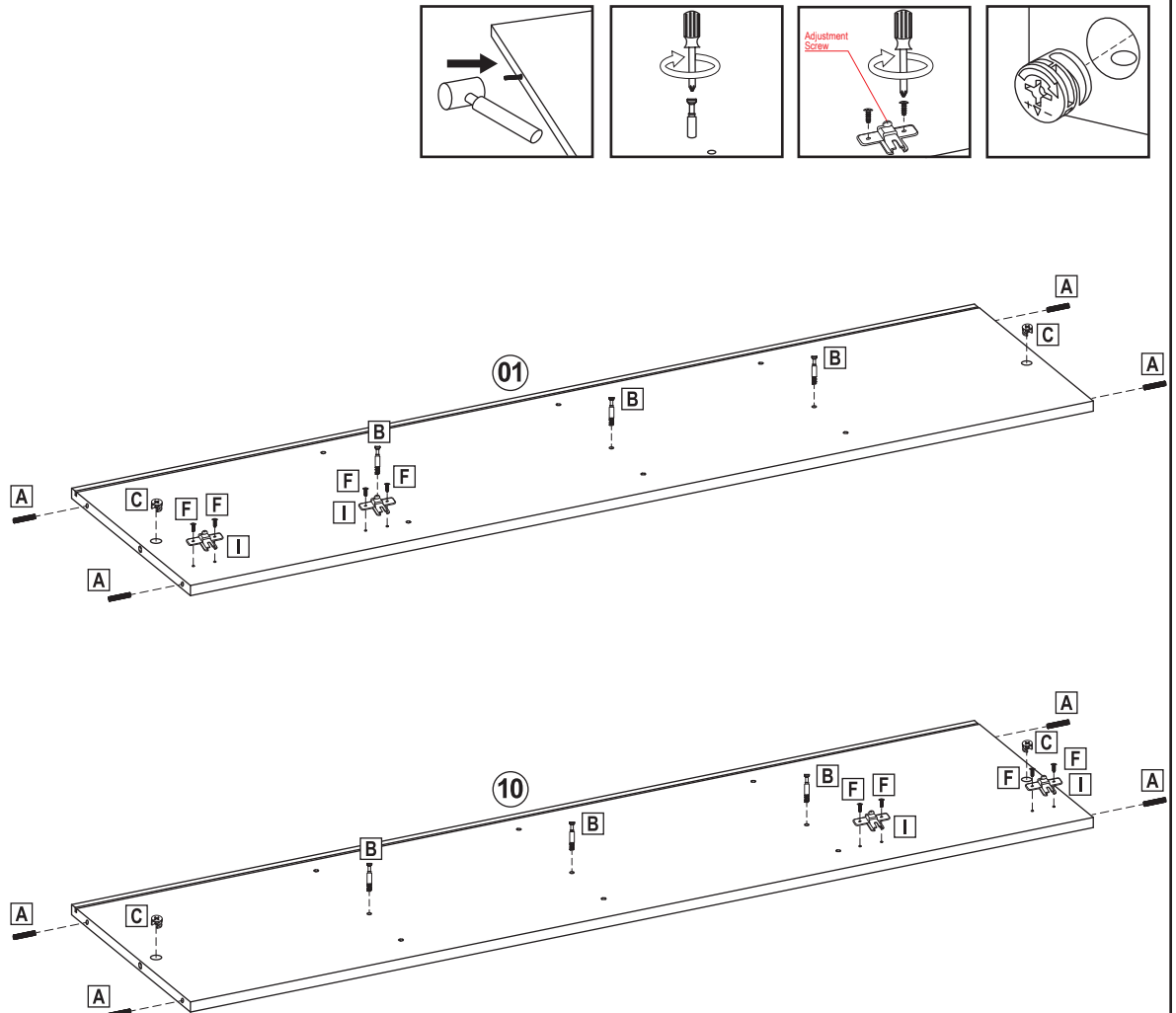
A		x8
B		x6
C		x4
F		M3.5x12mm x8
I		x4

TOOLS REQUIRED



IMPORTANT:

Ensure the hinge plate is installed with the adjustment screw mounted towards the rear of the cabinet.




STEP 2

PARTS REQUIRED

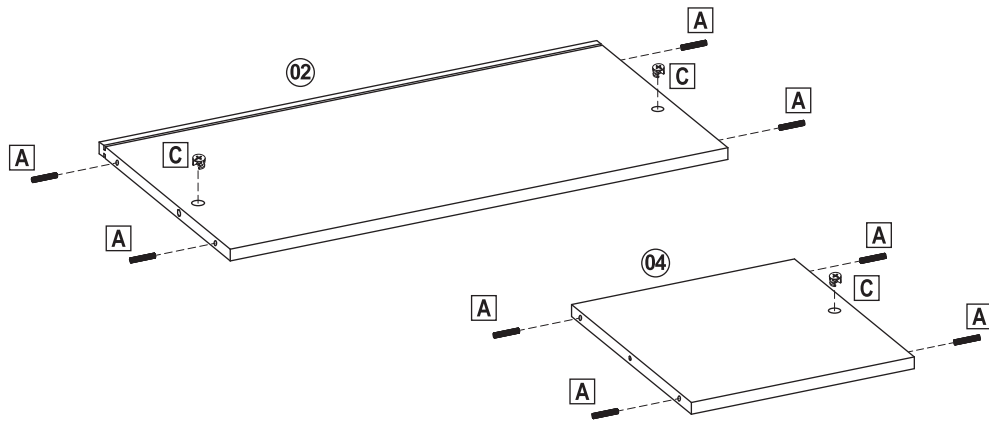
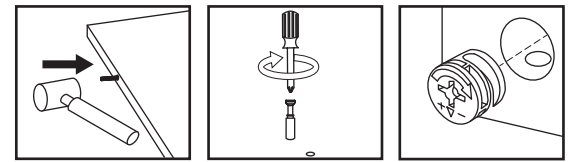
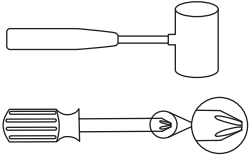
02 x1 04 x1

HARDWARE REQUIRED

A  x8

C  x3

TOOLS REQUIRED




STEP 3


PARTS REQUIRED

03 x1 05 x1

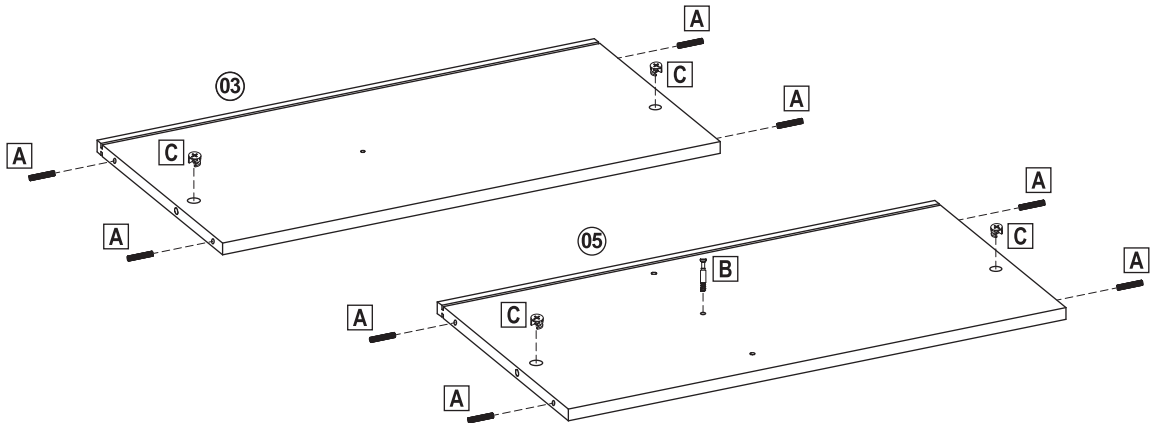
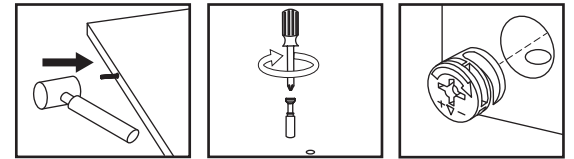
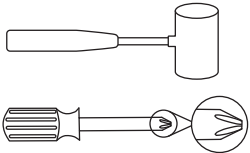
HARDWARE REQUIRED

A  x8

B  x1

C  x4

TOOLS REQUIRED




STEP 4

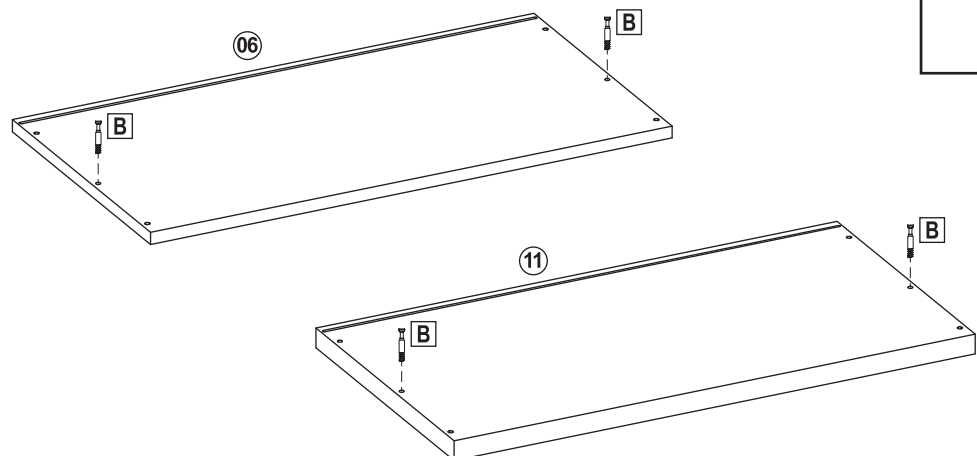
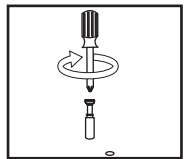
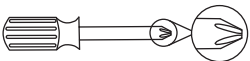
PARTS REQUIRED

06 x1 11 x1

HARDWARE REQUIRED

B  x4

TOOLS REQUIRED

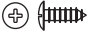




STEP 5

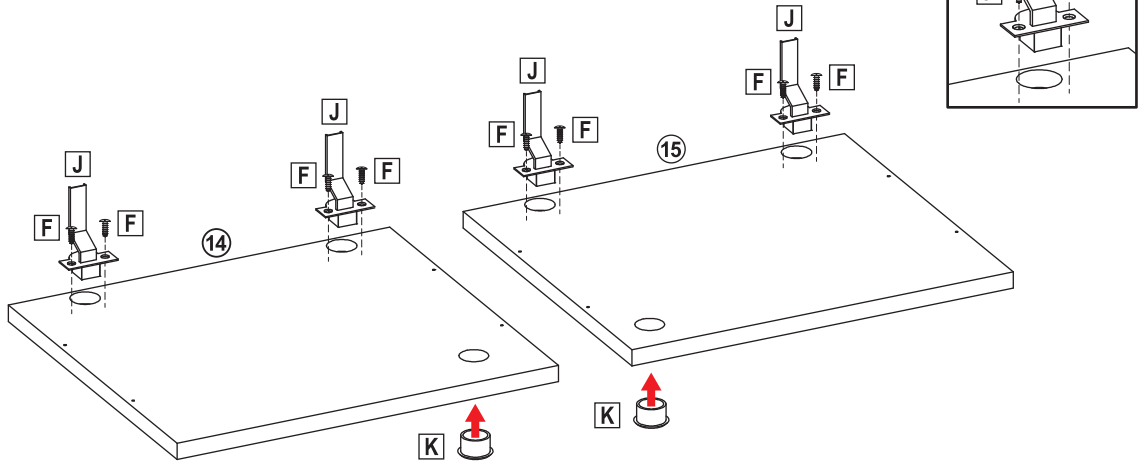
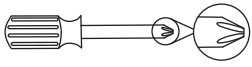
PARTS REQUIRED

14 x1 15 x1

HARDWARE REQUIRED

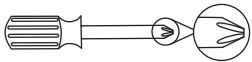
F		M3.5x12mm	x8
J			x4
K			x2

TOOLS REQUIRED

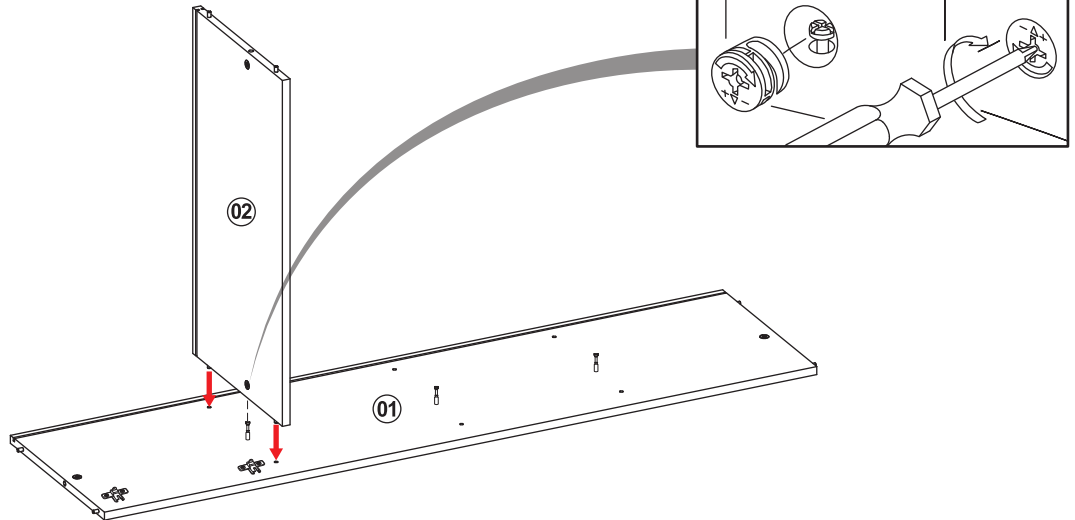


STEP 6

TOOLS REQUIRED

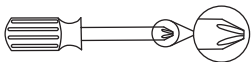


IMPORTANT: Ensure the grooves for the backing boards are installed on the same side.

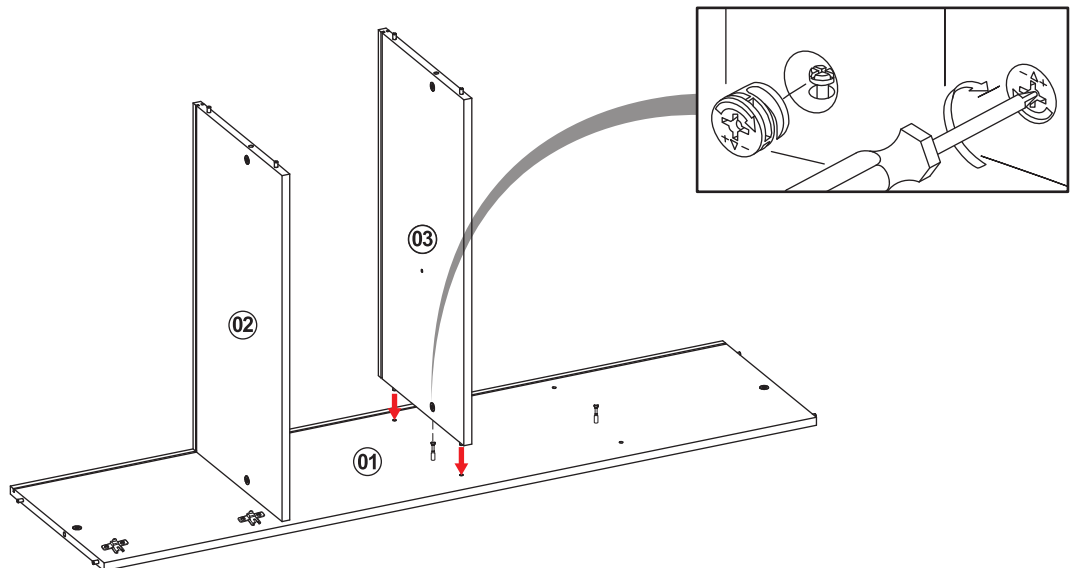


STEP 7

TOOLS REQUIRED



IMPORTANT: Ensure the grooves for the backing boards are installed on the same side.

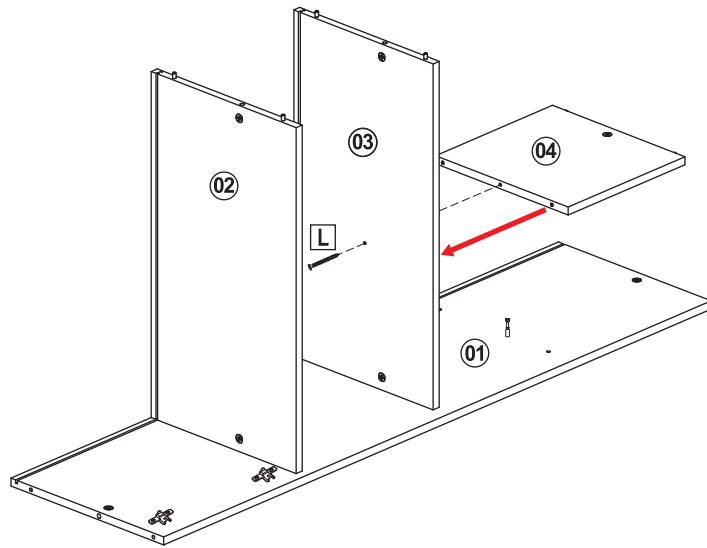
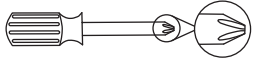


STEP 8

HARDWARE REQUIRED

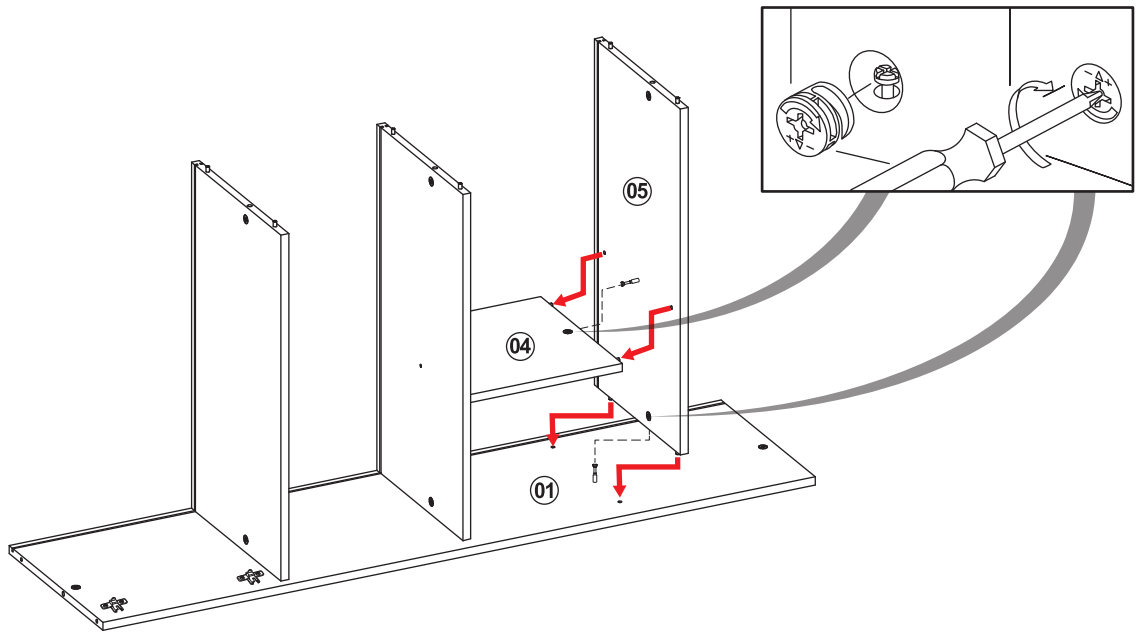
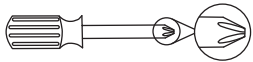


TOOLS REQUIRED



STEP 9

TOOLS REQUIRED

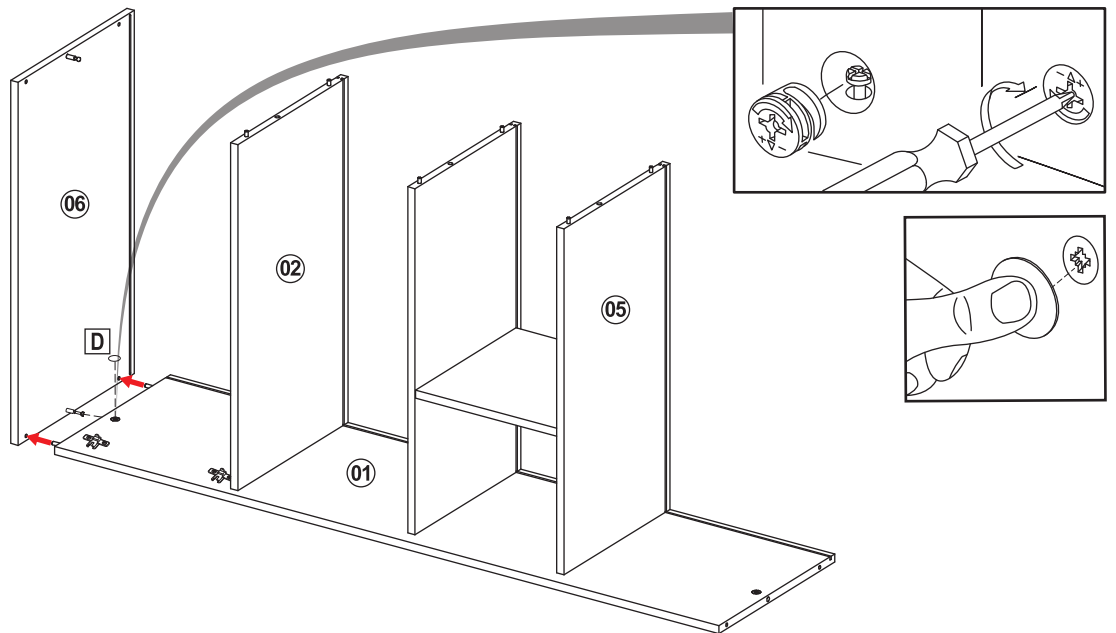
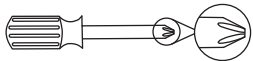


STEP 10

HARDWARE REQUIRED



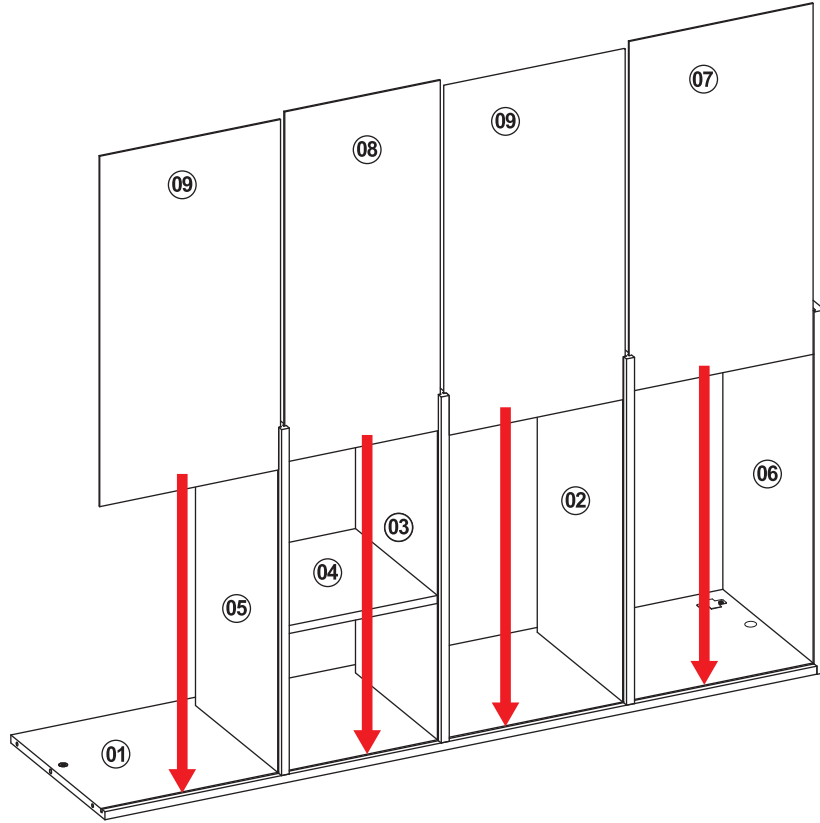
TOOLS REQUIRED



STEP 11

PARTS REQUIRED

07 x1 08 x1 09 x2

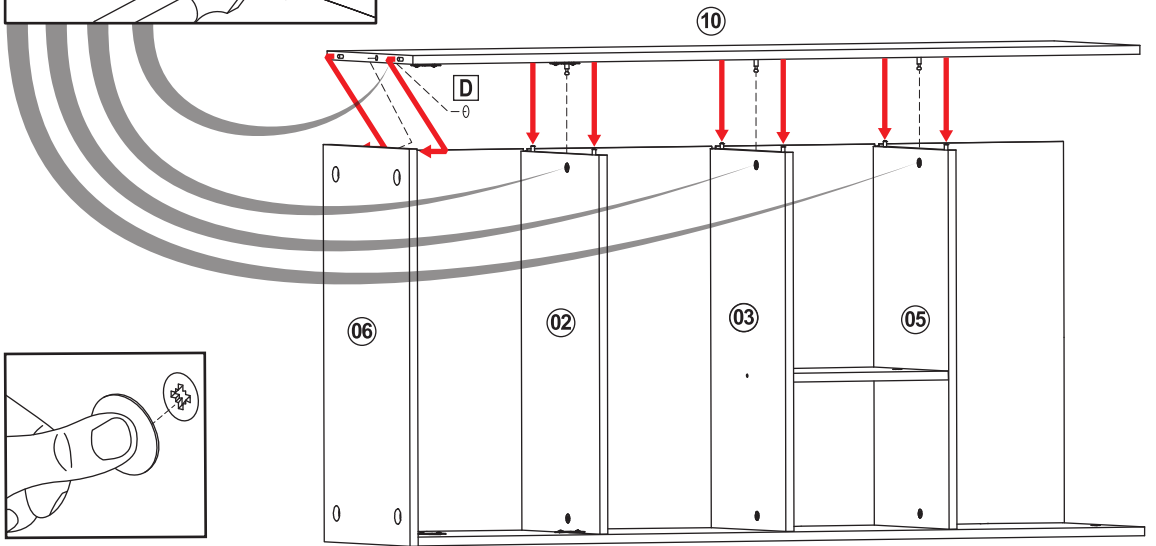
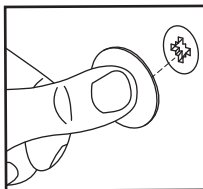
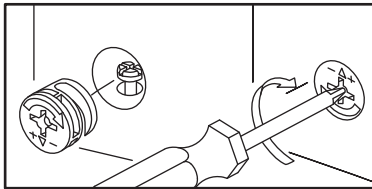
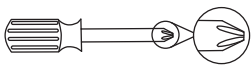


STEP 12

HARDWARE REQUIRED

D O x1

TOOLS REQUIRED

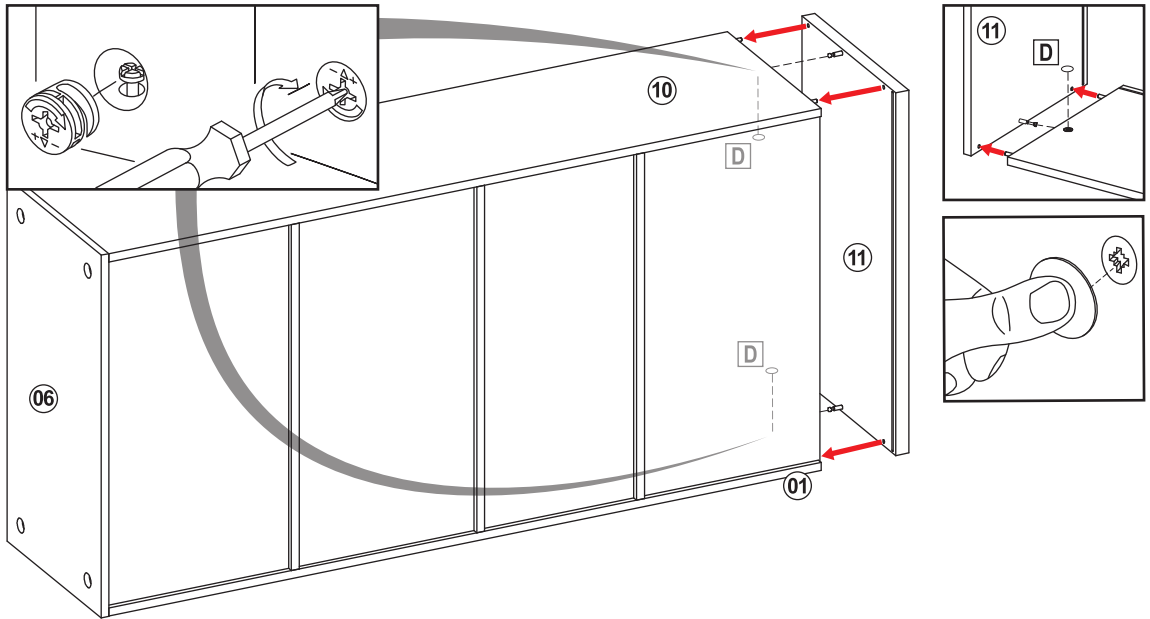
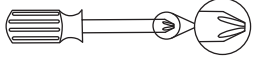


STEP 13

HARDWARE REQUIRED


D  x2

TOOLS REQUIRED



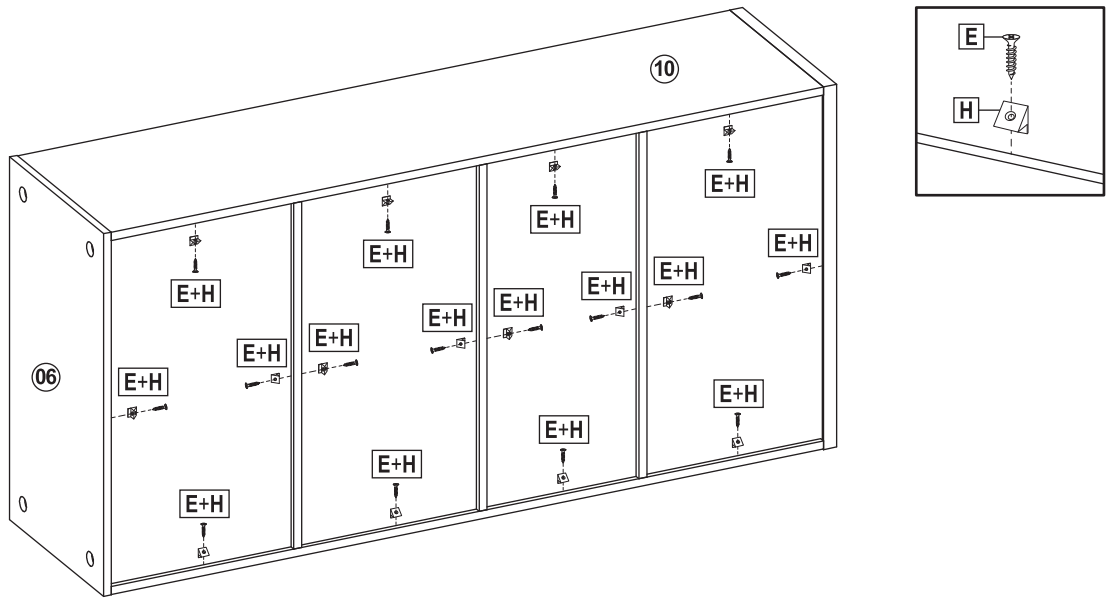
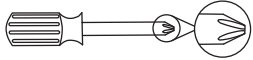
STEP 14

HARDWARE REQUIRED

E  M3.5x12mm x16

H  x16

TOOLS REQUIRED




STEP 4

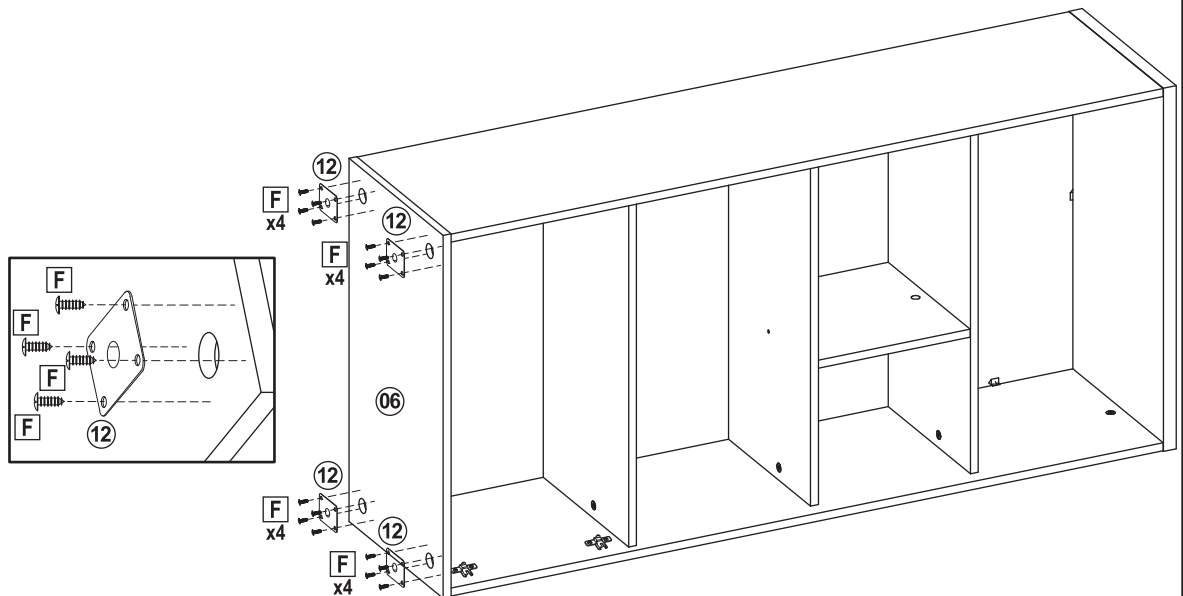
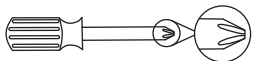
PARTS REQUIRED

12 x4

HARDWARE REQUIRED

F  M3.5x12mm x16

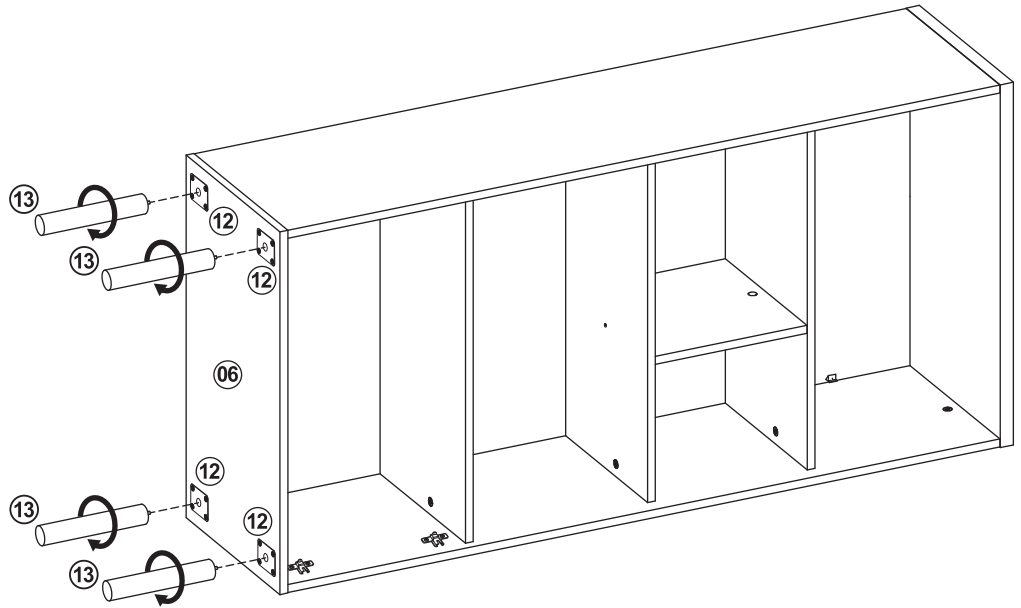
TOOLS REQUIRED



STEP 16

PARTS REQUIRED

13 x4

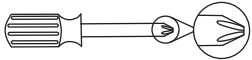


STEP 17

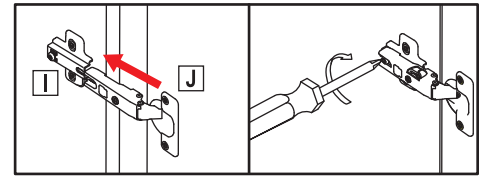
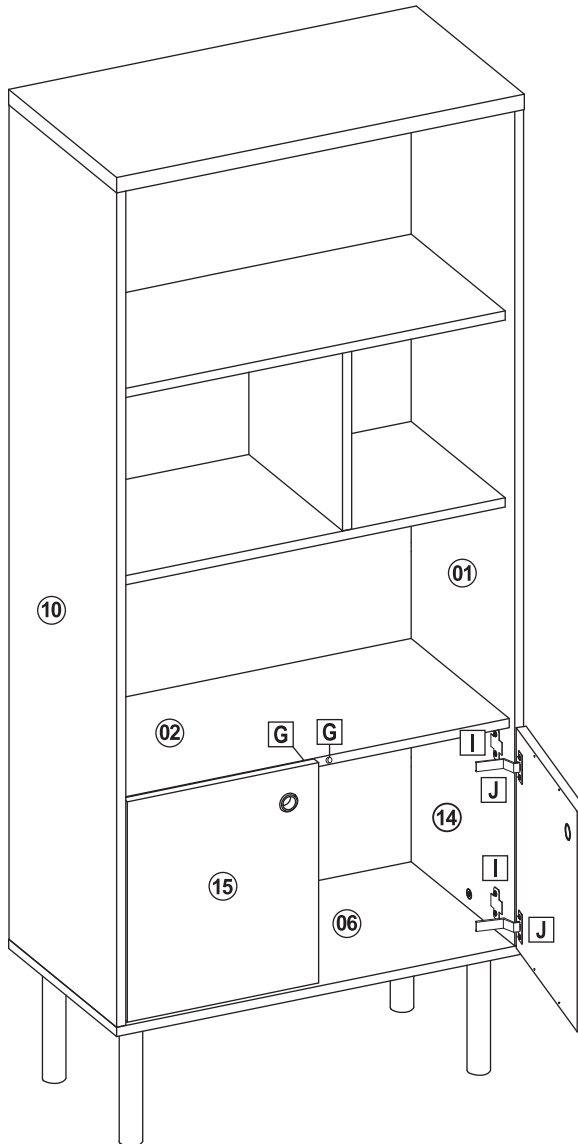
HARDWARE REQUIRED

G ○ x2

TOOLS REQUIRED



TIP: Install bumpers after door installation/adjustment.



HINGE ADJUSTMENT INSTRUCTIONS

Door Installation:

Please note, the cabinet box must be level and plumb for the door to work properly. Under certain conditions, wall surfaces may not be plumb, which results in a slight gap, either at the top or bottom, or between the doors.

Carefully hold the door and slide the hinge onto the hinge plate. Please note, the pin on the hinge slides into the slot of the hinge plate and the slot in the hinge slides under the screw head. Tighten the hinge screw to secure the door to cabinet.


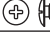


Door Adjustment Procedure:

Please note, care must be taken during hinge adjustment to avoid damage.

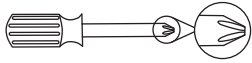
Only a slight adjustment is required. Rotate the Door Adjustment screws 1/8 to 1/4 turns at a time, then check the door position. Rotate adjustment screws as necessary until doors are properly aligned.

STEP 18

HARDWARE REQUIRED

Z1		x1
Z2		x2
Z3		x1
Z4	 M5x50mm	x1

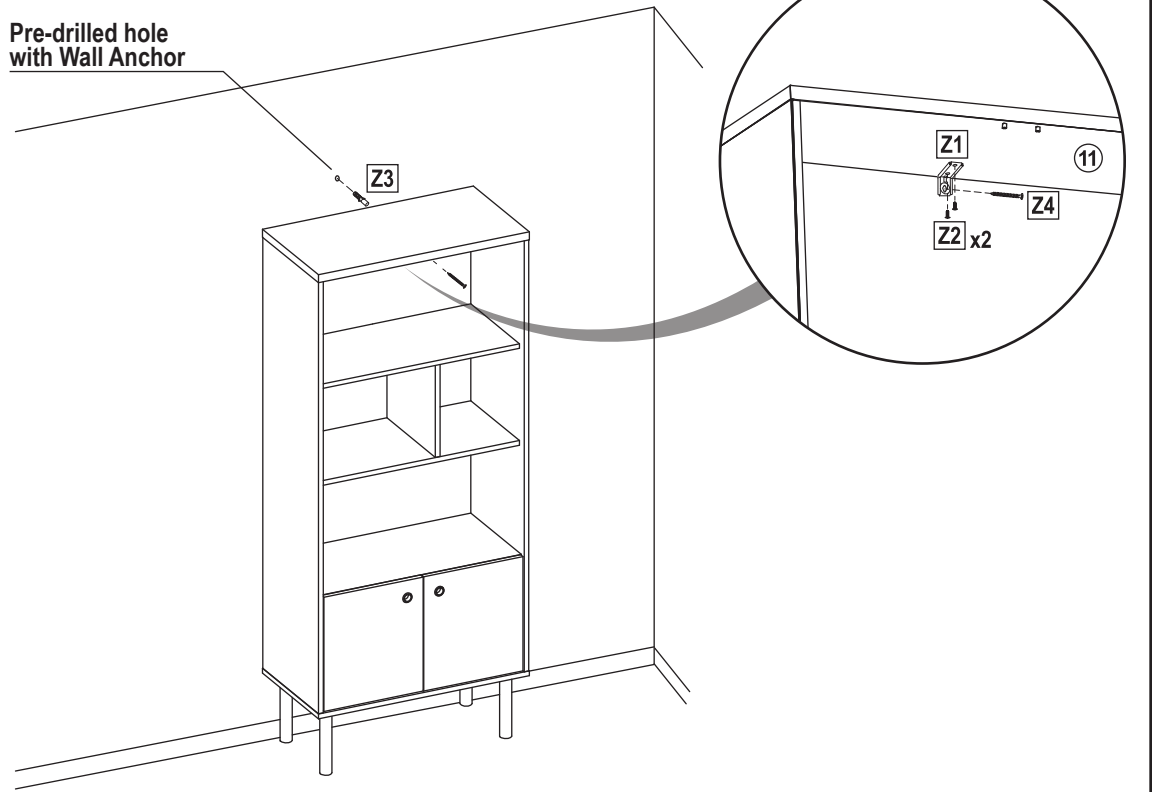
TOOLS REQUIRED



IMPORTANT:

This unit is meant for drywall/stud mounting. If walls are concrete, brick or plaster, consult a professional.

Pre-drilled hole with Wall Anchor



! SAFETY STATEMENTS & WARNINGS !

- Residential use only. Not for commercial or industrial use.
- For indoor use only.
- Ensure fittings are tight before use. Periodically check fitting to ensure they are tight.
- Only use this unit on a flat, level surface.
- Do not sit, stand or climb on the unit.
- Supervise children; never allow children to climb or sit on this unit as it may tip over and cause serious injury.
- Do not place liquids or hot items on the furniture.
- Never use chemical cleaning products or polishes as they may damage the finish.
- Do not overload the shelves as doing so may cause the shelves to sag.
- Do not place the unit in direct sunlight.
- Avoid placing unit near heating or cooling vents as forced air is very drying and can damage the unit.
- Do not write on furniture without a padded barrier to protect the surface.

Any modification to the product or failure to follow recommended care will void the product warranty.

If you experience issues with assembly or the product was damaged during shipping, please contact our customer service team directly through one of the methods mentioned at the top of page 1.

Please have the item number and order information ready to expedite response time.

! NOTICE:

Manufacturer and seller expressly disclaim any and all liability from personal injury, property damage or loss, whether direct or indirect, or incidental, resulting from the incorrect attachment, improper use, inadequate maintenance, or neglect of this product.