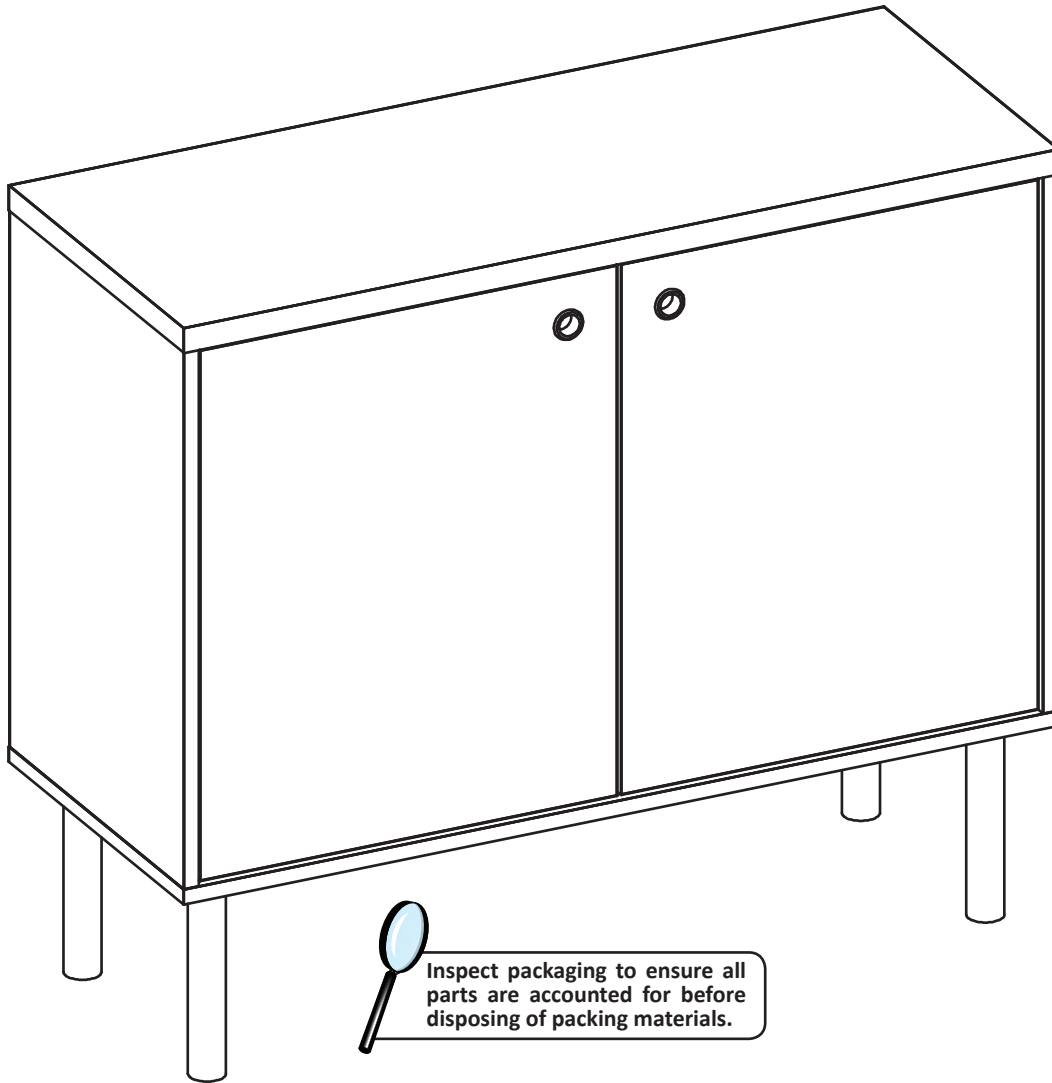


MID-CENTURY MODERN ACCENT CABINET

Carefully review assembly and care instructions before using this product. Save this document for future reference.
Assemble components on a soft, clean surface to avoid scratching or damaging the finish.



⚠ WARNING ⚠

CHOKING HAZARD — This item contains small parts that can be swallowed. Keep children and pets away during assembly.

ⓘ HELPFUL HINTS

Sunnydaze Decor advises reading this manual fully, and assembling the item soon after purchase. Check that all parts are accounted for and familiarize yourself with the assembly before beginning.

SAVE THIS MANUAL FOR FUTURE REFERENCE.

INTRODUCTION

Read the manual carefully to ensure you fully understand all use, care, assembly, and safety information.



Read this manual carefully and follow the assembly instructions in the order listed. Pay close attention to assembly drawings.



Regularly clean with a clean microfiber cloth to prevent dust accumulation.



Do not paint the unit.
Do not use abrasive materials or cleaners to clean the furniture.



Indoor use only.
Do not expose the furniture to heat or humidity.



When cleaning nearby the furniture, do not allow contact with water or cleaners as it may deteriorate the furniture.



Do not allow metal components to come in contact with water or cleaners as it may cause rust and staining.



Assemble on a soft, flat, clean, and dry surface.



Use a soft, protective barrier when assembling the furniture.

TIP: Use the box carton as a protective layer to separate and protect the parts from scratches and other damage during assembly.



Do not push or drag furniture as doing so may damage the unit.



Only move furniture when it is empty.
Always ask for help when moving furniture.



Avoid Accidents - Do not climb, sit or stand on the furniture.

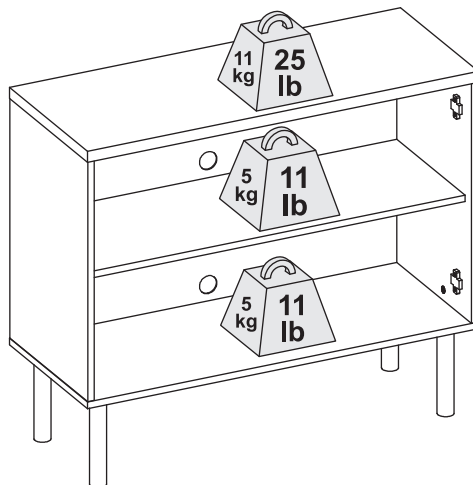
Do not allow children to play on or inside the furniture.



Keep sharp objects away as they may scratch or damage the unit.

Do not use the furniture as a writing surface without a padded barrier.

WEIGHT CAPACITY

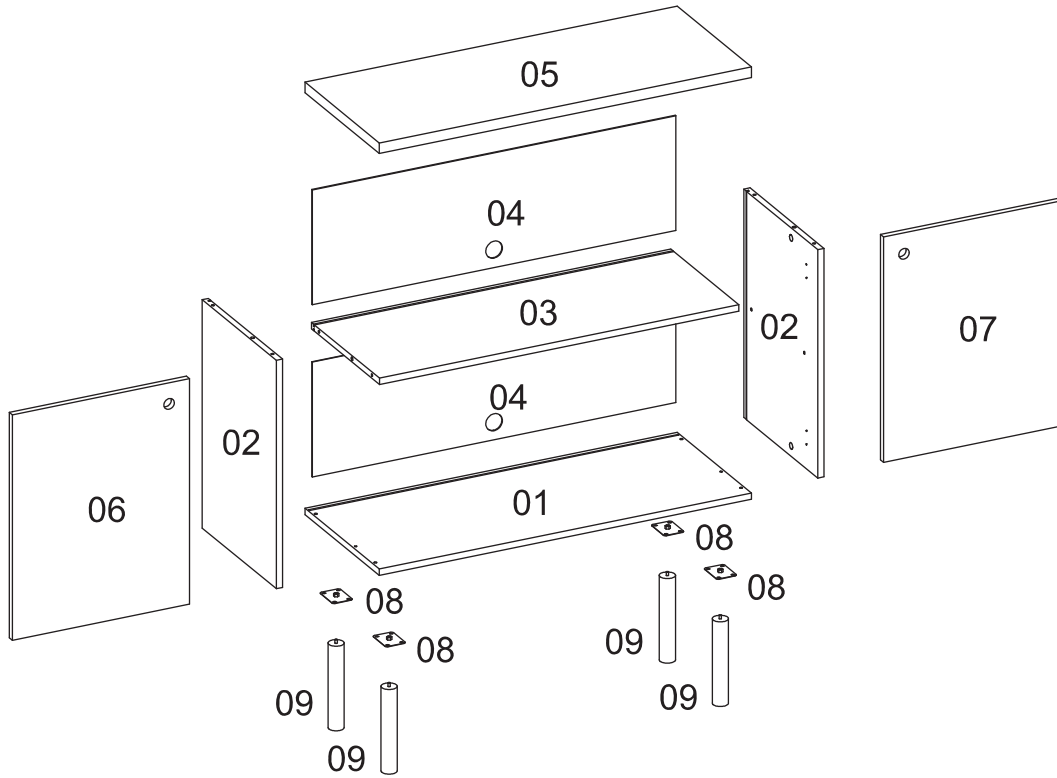
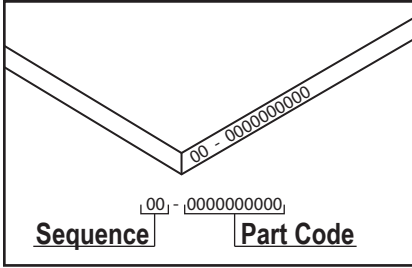


COMPONENTS

BEFORE BEGINNING ASSEMBLY:

✓ Check all components match the parts list; the parts come with the code stamped on, as shown in the drawing to the left

✓ Separate hardware by type



SEQ.	PART CODE	PART NAME	QTY.
01	50929	Bottom Shelf	1
02	50931	Side Panel (L/R)	2
03	50933	Middle Shelf	1
04	50936	Backing Board	2
05	50930	Top Shelf	1
06	50934	Left Door	1
07	50935	Right Door	1
08	MET0121	Leg Mounting Plate	4
09	PES0370	Leg	4

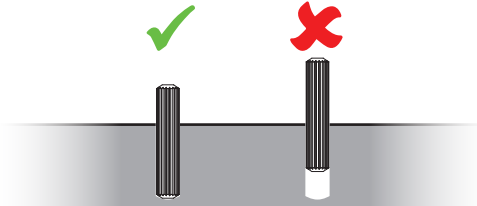
No.	HARDWARE	QTY.
A	Wood Dowel	12
B	Cam Screw	6
C	Cam Lock	6
D	Sticker	4
E	M3.5x12mm Flat Screw	8
F	M3.5x12mm Round Screw	32
G	Guide Pin	2
H	Plastic Wedge	8
I	Hinge Plate	4
J	Hinge	4
K	Grommet	2
Z1	Bracket	1
Z2	M3.5x12mm Round Screw	2
Z3	Wall Anchor	1
Z4	M5x50mm Flat Screw	1

TOOLS REQUIRED (not included)	
	Phillips Screwdriver
	Rubber Mallet
	Power Drill with 1/4" (7mm) Drill Bit

⚠ IMPORTANT INSTALLATION INFORMATION ⚠

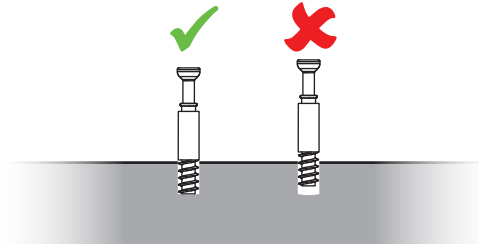
For the stability of the unit, it is important that furniture connectors are installed correctly. See drawings and tips below for proper installation.

Wood Dowel



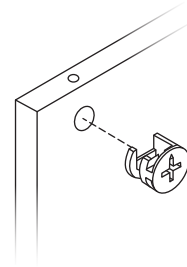
Install wood dowels by gently tapping them into the designated hole using a rubber mallet.

Cam Screw



Use a screwdriver to secure the threaded end of the cam screw into the designated hole, as shown.

Cam Lock



Align the cam lock opening (arrow) with the pre-drilled hole. Use a screwdriver to adjust alignment.

IMPORTANT: Take care not to over-tighten screws as doing so may crack the wood or strip the screw hole, causing a weak connection and reduced stability.

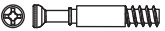
ASSEMBLY

STEP 1

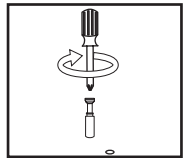
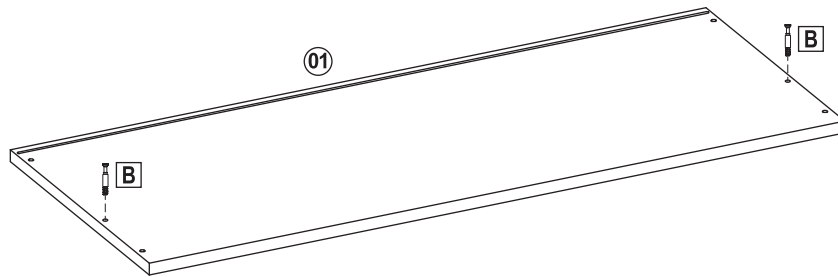
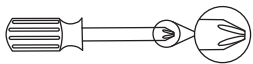
PARTS REQUIRED

01 x1

HARDWARE REQUIRED

B  x2

TOOLS REQUIRED




STEP 2

PARTS REQUIRED

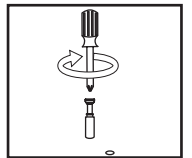
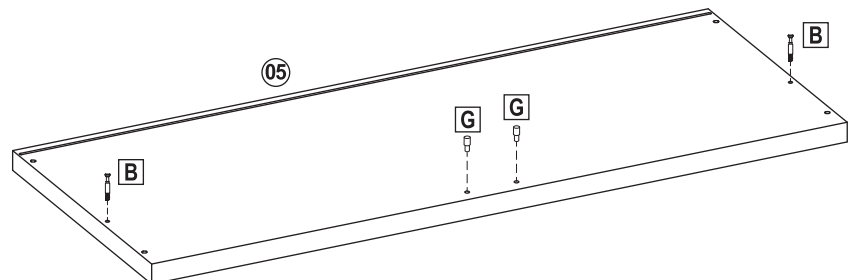
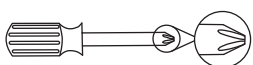
05 x1

HARDWARE REQUIRED

B  x2

G  x2

TOOLS REQUIRED



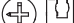
STEP 3

PARTS REQUIRED

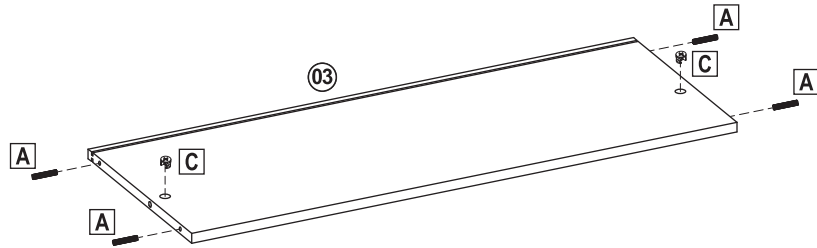
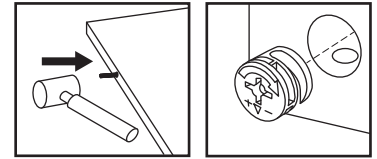
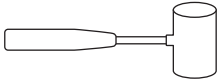
03 x1

HARDWARE REQUIRED

A  x4

C  x2

TOOLS REQUIRED




STEP 4

PARTS REQUIRED

02 x2


HARDWARE REQUIRED

A  x8

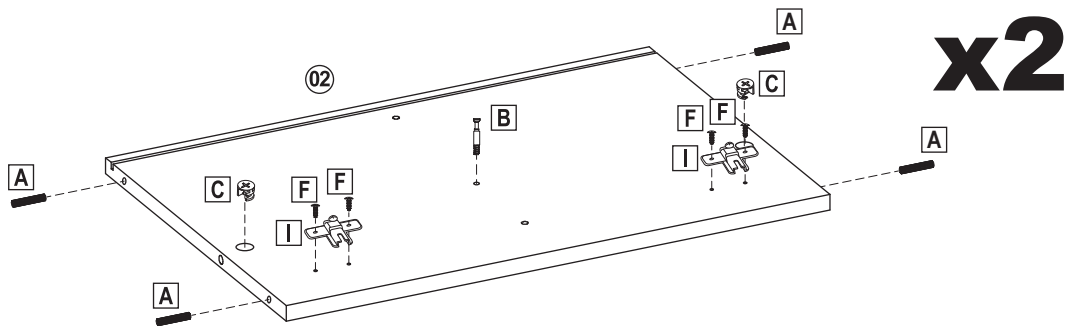
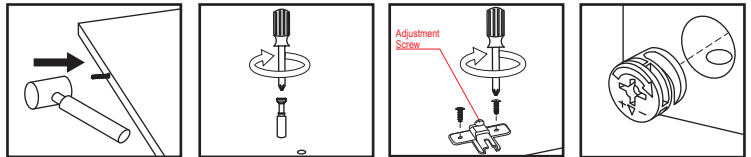
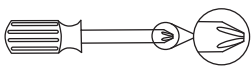
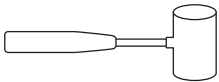
B  x2

C  x4

F  M3.5x12mm x8

I  x4

TOOLS REQUIRED




IMPORTANT: Ensure the hinge plates are installed with the adjustment screw mounted towards the rear of the cabinet.

STEP 5

PARTS REQUIRED

06 x1 07 x1

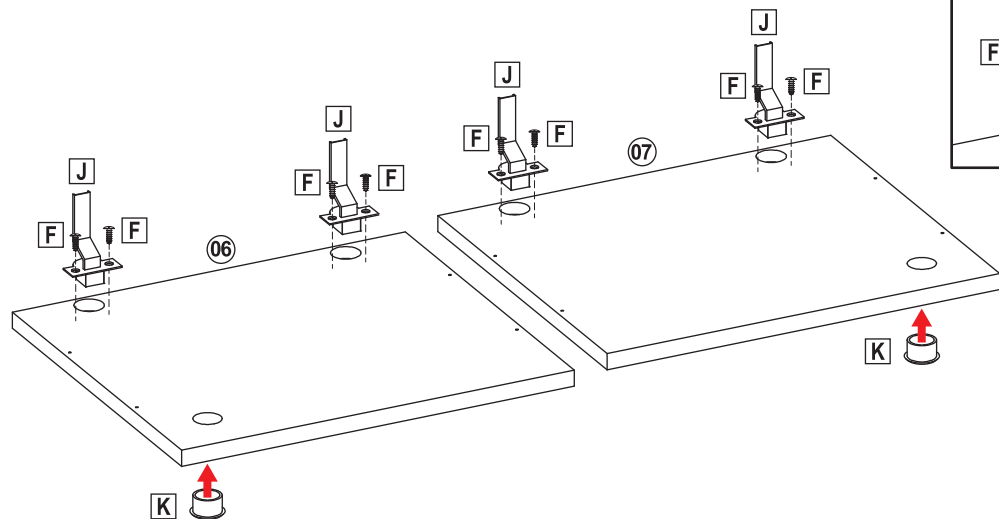
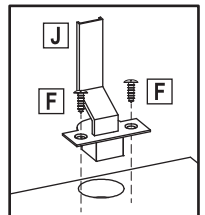
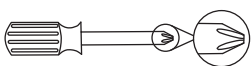
HARDWARE REQUIRED

F  M3.5x12mm x8

J  x4

K  x2

TOOLS REQUIRED

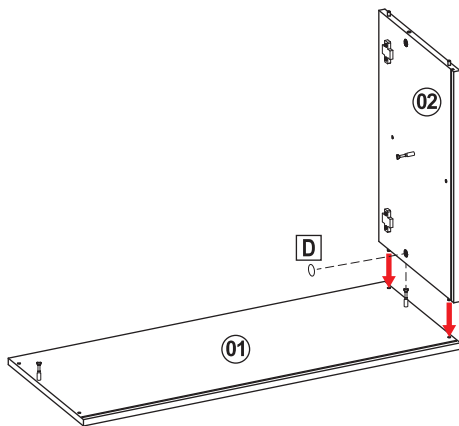
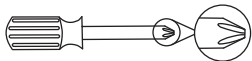


STEP 6

HARDWARE REQUIRED

D  x1

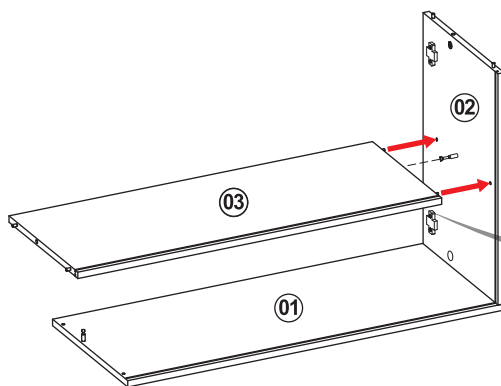
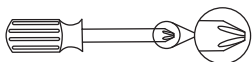
TOOLS REQUIRED



IMPORTANT: Ensure the grooves for the backing boards are installed on the same side.

STEP 7

TOOLS REQUIRED

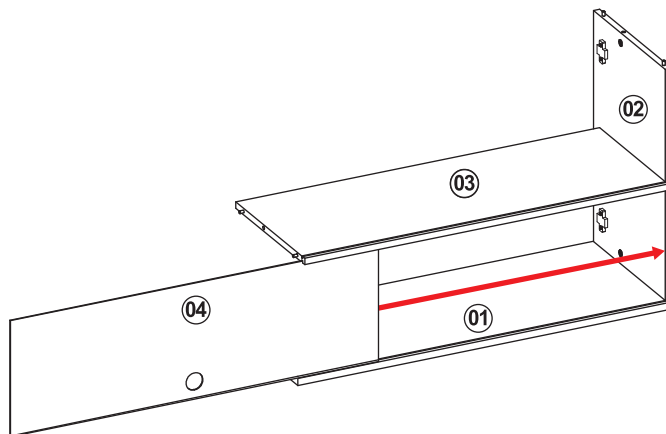


IMPORTANT: Ensure the grooves for the backing boards are installed on the same side.

STEP 8

PARTS REQUIRED

04  x1

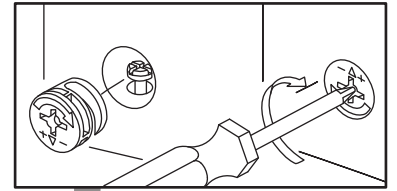
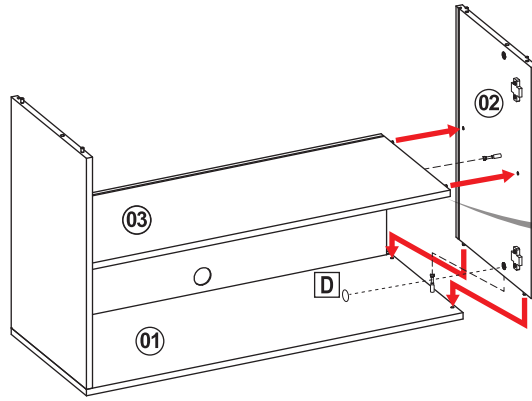
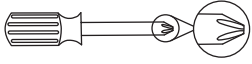


STEP 9

HARDWARE REQUIRED

D  x1

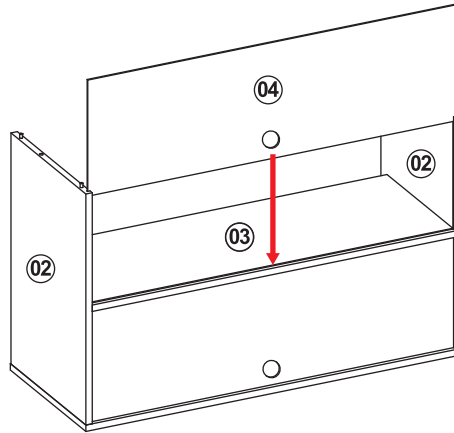
TOOLS REQUIRED



STEP 10

PARTS REQUIRED

04 x1

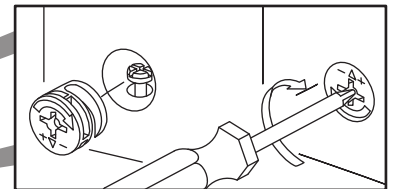
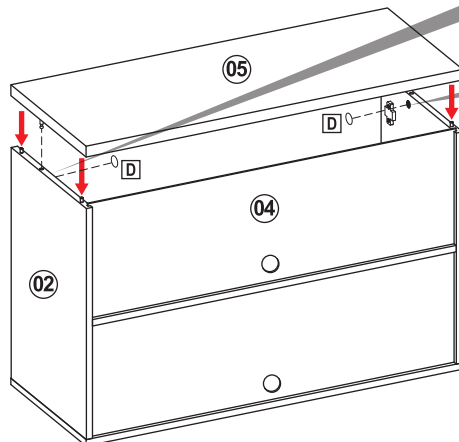
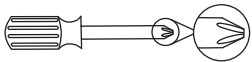


STEP 11

HARDWARE REQUIRED



D  x2

TOOLS REQUIRED

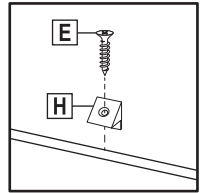
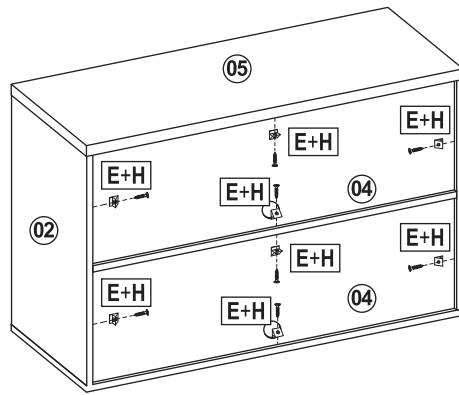
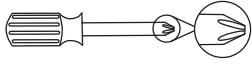


STEP 12

HARDWARE REQUIRED

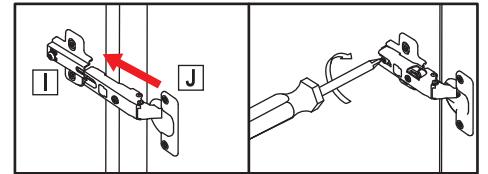
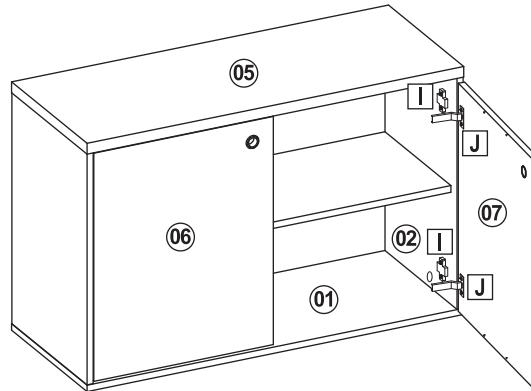
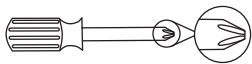
E		M3.5x12mm	x8
H			x8

TOOLS REQUIRED



STEP 13

TOOLS REQUIRED



HINGE ADJUSTMENT INSTRUCTIONS

Door Installation:

Please note, the cabinet box must be level and plumb for the door to work properly. Under certain conditions, wall surfaces may not be plumb, which results in a slight gap, either at the top or bottom, or between the doors.

Carefully hold the door and slide the hinge onto the hinge plate. Please note, the pin on the hinge slides into the slot of the hinge plate and the slot in the hinge slides under the screw head. Tighten the hinge screw to secure the door to cabinet.

Door Adjustment Procedure:

Please note, care must be taken during hinge adjustment to avoid damage.

Only a slight adjustment is required. Rotate the Door Adjustment screws 1/8 to 1/4 turns at a time, then check the door position. Rotate adjustment screws as necessary until doors are properly aligned.

STEP 14

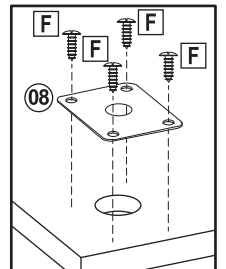
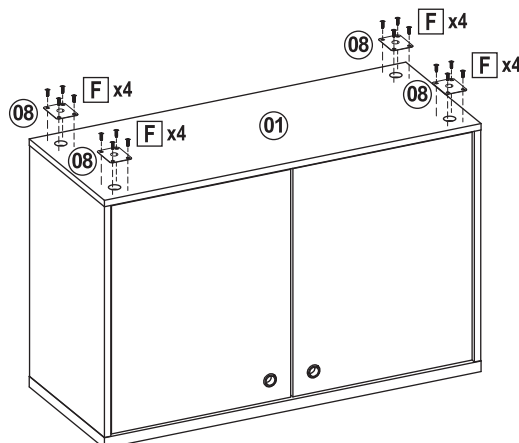
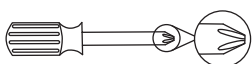
PARTS REQUIRED

08 x4

HARDWARE REQUIRED

F		M3.5x12mm	x16
---	---	-----------	-----

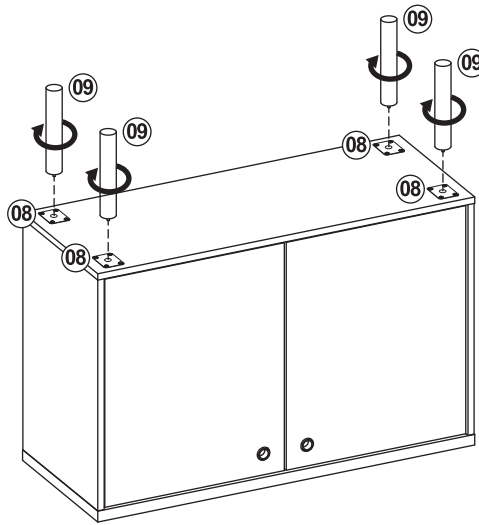
TOOLS REQUIRED



STEP 15

PARTS REQUIRED

09 x4

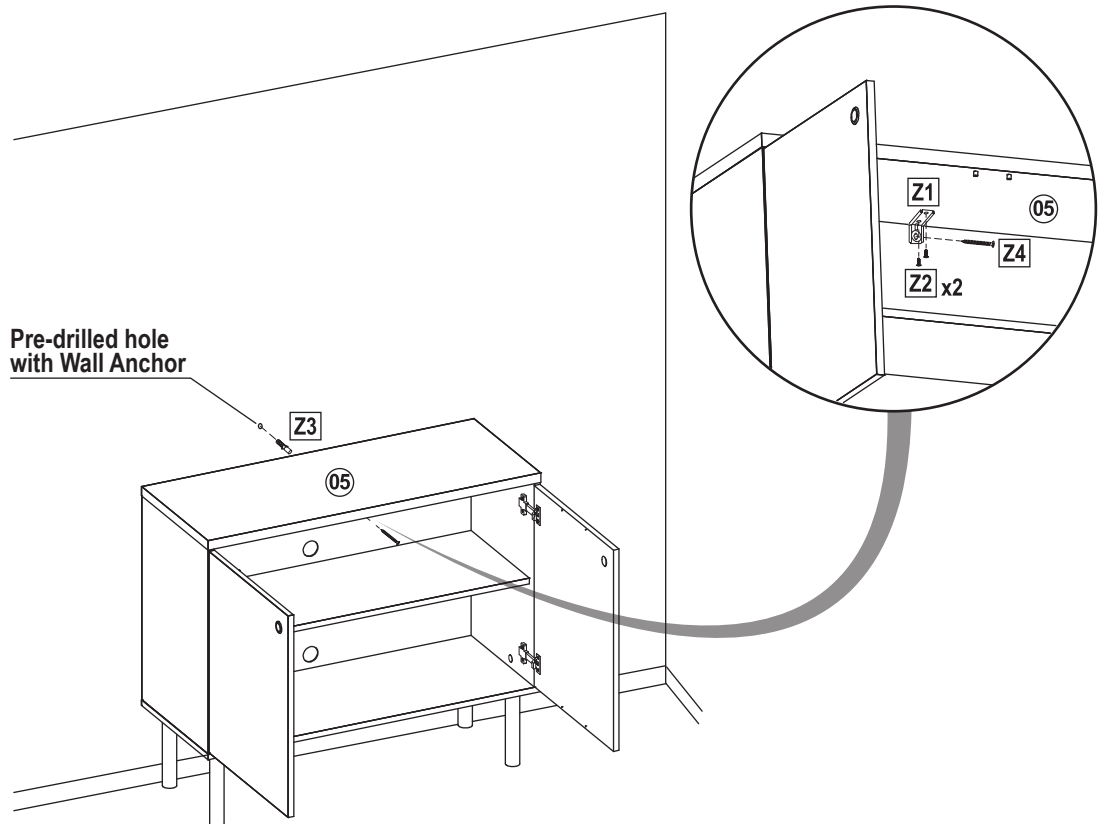
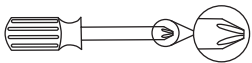


STEP 16

HARDWARE REQUIRED

Z1		x1
Z2		x2
Z3		x1
Z4		x1

TOOLS REQUIRED



Pre-drilled hole with Wall Anchor

IMPORTANT: This unit is meant for drywall/stud mounting. If walls are concrete, brick or plaster, consult a professional.

SAFETY STATEMENTS & WARNINGS

- Residential use only. Not for commercial or industrial use.
- For indoor use only.
- Ensure fittings are tight before use. Periodically check fitting to ensure they are tight.
- Only use this unit on a flat, level surface.
- Do not sit, stand or climb on the unit.
- Supervise children; never allow children to climb or sit on this unit as it may tip over and cause serious injury.
- Do not place liquids or hot items on the furniture.
- Never use chemical cleaning products or polishes as they may damage the finish.
- Do not overload the shelves as doing so may cause the shelves to sag.
- Do not place the unit in direct sunlight.
- Avoid placing unit near heating or cooling vents as forced air is very drying and can damage the unit.
- Do not write on furniture without a padded barrier to protect the surface.

Any modification to the product or failure to follow recommended care will void the product warranty.

If you experience issues with assembly or the product was damaged during shipping, please contact our customer service team directly through one of the methods mentioned at the top of page 1. Please have the item number and order information ready to expedite response time.

NOTICE:

Manufacturer and seller expressly disclaim any and all liability from personal injury, property damage or loss, whether direct or indirect, or incidental, resulting from the incorrect attachment, improper use, inadequate maintenance, or neglect of this product.