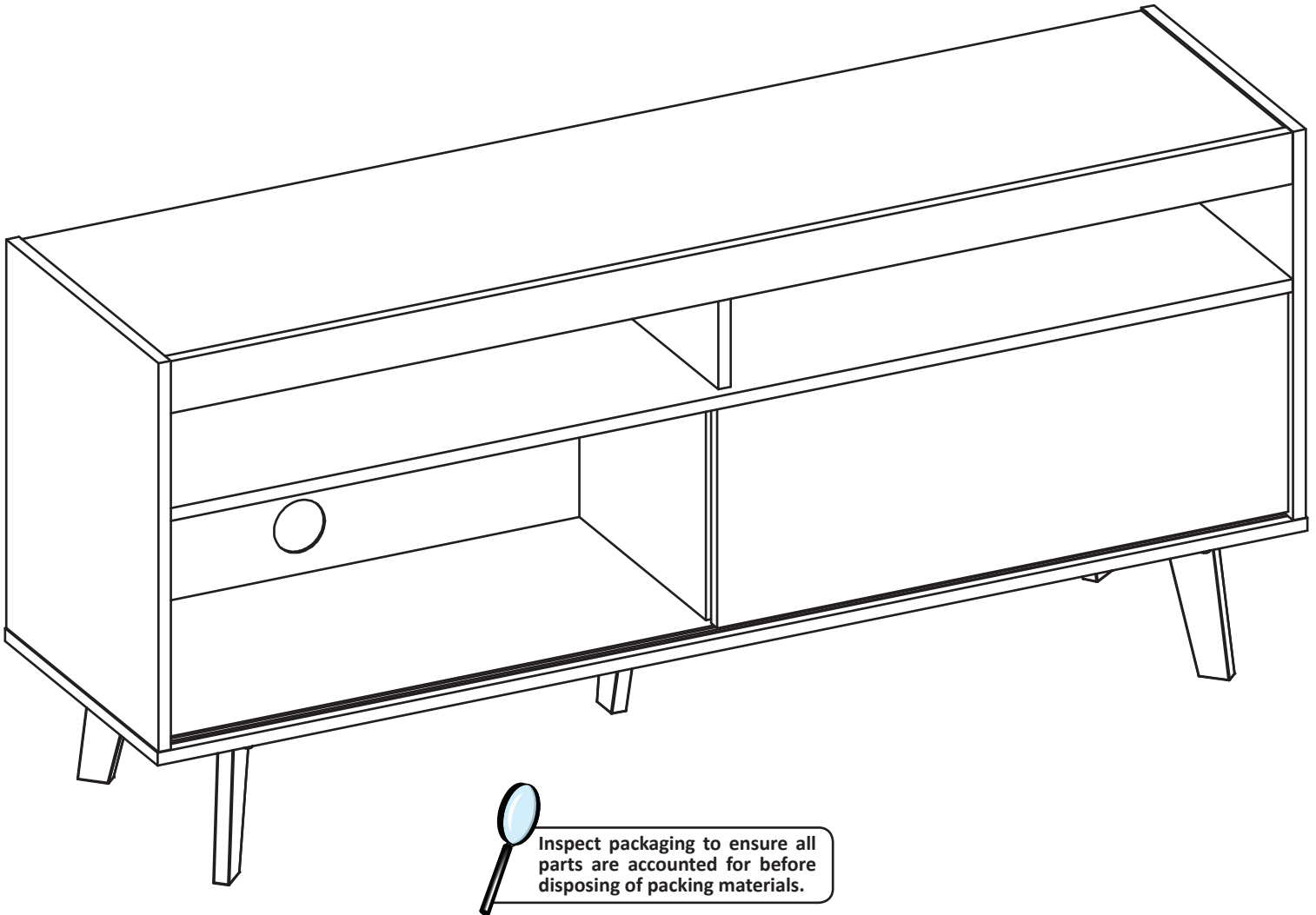


# MID-CENTURY MODERN TV STAND

Carefully review assembly and care instructions before using this product. Save this document for future reference.  
**Assemble components on a soft, clean surface to avoid scratching or damaging the finish.**



## ⚠ WARNING ⚠

**CHOKING HAZARD** — This item contains small parts that can be swallowed. Keep children and pets away during assembly.

## ⓘ HELPFUL HINTS

Sunnydaze Decor advises reading this manual fully, and assembling the item soon after purchase. Check that all parts are accounted for and familiarize yourself with the assembly before beginning.

**SAVE THIS MANUAL FOR FUTURE REFERENCE.**

# INTRODUCTION

**Read the manual carefully to ensure you fully understand all use, care, assembly, and safety information.**



Read this manual carefully and follow the assembly instructions in the order listed. Pay close attention to assembly drawings.



Regularly clean with a clean microfiber cloth to prevent dust accumulation.



Do not paint the unit.  
Do not use abrasive materials or cleaners to clean the furniture.



Indoor use only.  
Do not expose the furniture to heat or humidity.



When cleaning nearby the furniture, do not allow contact with water or cleaners as it may deteriorate the furniture.



Do not allow metal components to come in contact with water or cleaners as it may cause rust and staining.



Assemble on a soft, flat, clean, and dry surface.

Use a soft, protective barrier when assembling the furniture.



**TIP:** Use the box carton as a protective layer to separate and protect the parts from scratches and other damage during assembly.



Do not push or drag furniture as doing so may damage the unit.

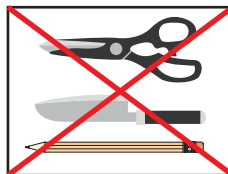
Only move furniture when it is empty.

Always ask for help when moving furniture.



**Avoid Accidents** - Do not climb, sit or stand on the furniture.

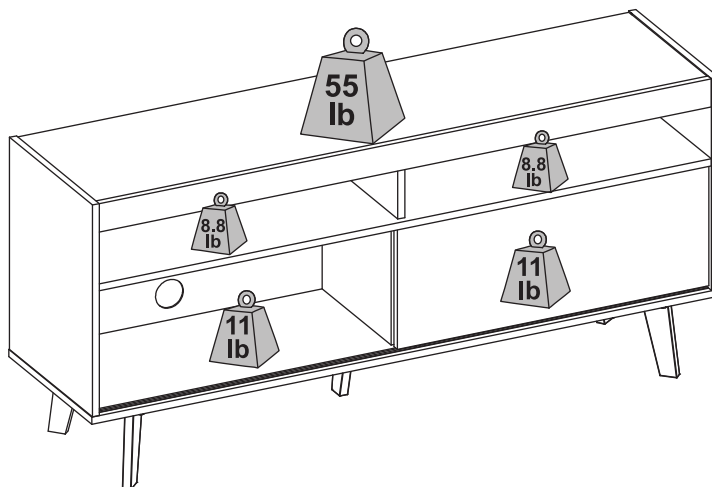
Do not allow children to play on or inside the furniture.



Keep sharp objects away as they may scratch or damage the unit.

Do not use the furniture as a writing surface without a padded barrier.

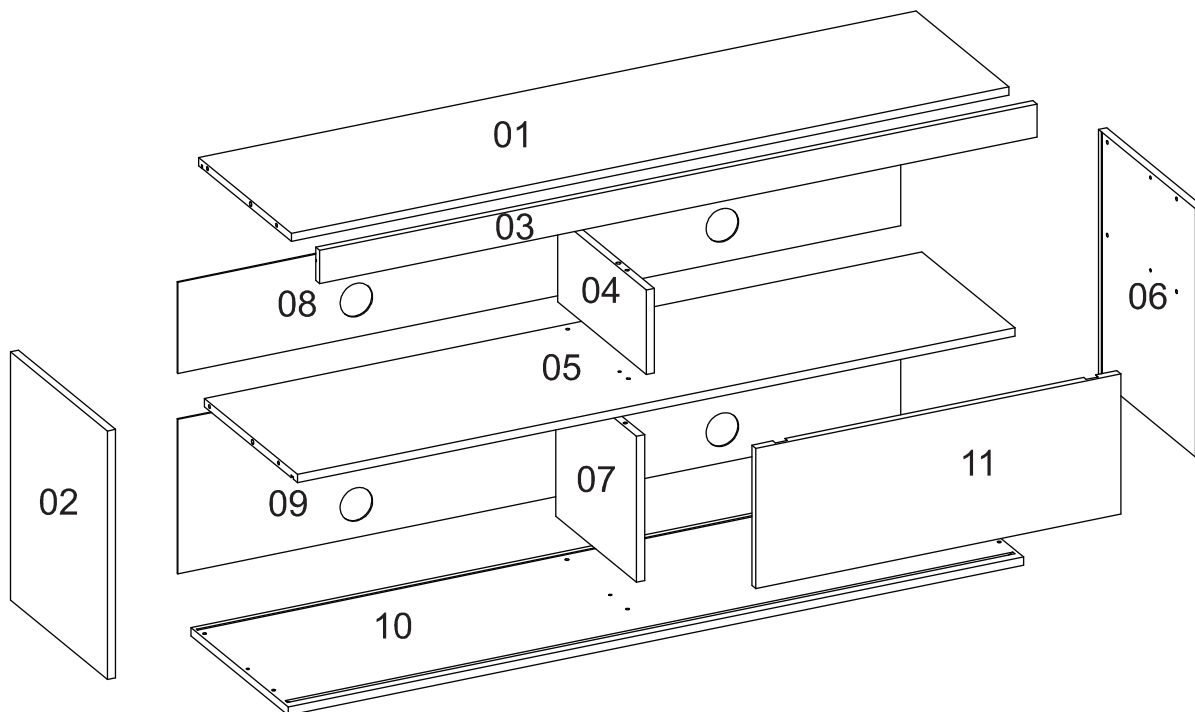
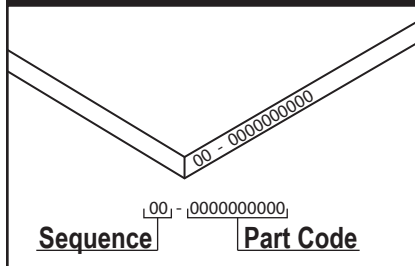
## WEIGHT CAPACITY



# COMPONENTS

## BEFORE BEGINNING ASSEMBLY:

- ✓ Check all components match the parts list; the parts come with the code stamped on, as shown in the drawing to the left
- ✓ Separate hardware by type



SEQ.	PART CODE	PART NAME	QTY.
01	6000200264	Top	1
02	6000500537	Left Panel	1
03	6000600103	Front Apron	1
04	6000400293	Upper Division Panel	1
05	6000800211	Shelf	1
06	6000500536	Right Panel	1
07	6000400294	Lower Division Panel	1
08	6001000331	Top Backing Board	1
09	6001000332	Bottom Backing Board	1
10	6000300245	Bottom	1
11	6000700080	Door	1

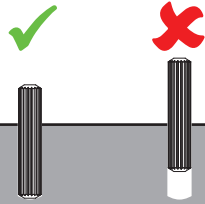
TOOLS REQUIRED (not included)	
	Phillips Screwdriver
	Rubber Mallet
	Hammer

NO.	HARDWARE	QTY.
A	Wood Dowel	20
B	M3.5x12mm Flat Screw	20
C	M3.5x16mm Round Screw	32
D	M4x50mm Flat Screw	4
E	Cam Screw	6
F	Cam Lock	6
G	Metal Bracket	2
H	Angled Support	6
I	Plastic Wedge	16
J	Nail	6
K	Back Panel Bracket	6
L	Sticker	1
M	Rail	2
N	Leg	5
O1	Upper Door Slider	2
O2	Lower Door Slider	2
O3	Sliding Door Kit Screw	8

# ⚠ IMPORTANT INSTALLATION INFORMATION ⚠

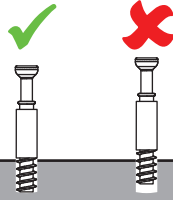
For the stability of the unit, it is important that furniture connectors are installed correctly. See drawings and tips below for proper installation.

## Wood Dowel



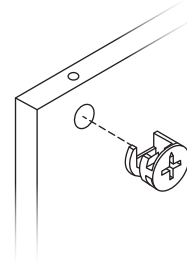
Install wood dowels by gently tapping them into the designated hole using a rubber mallet.

## Cam Screw



Use a screwdriver to secure the threaded end of the cam screw into the designated hole, as shown.

## Cam Lock



Align the cam lock opening (arrow) with the pre-drilled hole. Use a screwdriver to adjust alignment.

**IMPORTANT:** Take care not to over-tighten screws as doing so may crack the wood or strip the screw hole, causing a weak connection and reduced stability.

# ASSEMBLY

## STEP 1

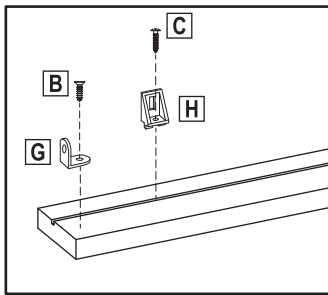
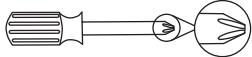
### PARTS REQUIRED

03 x1

### HARDWARE REQUIRED

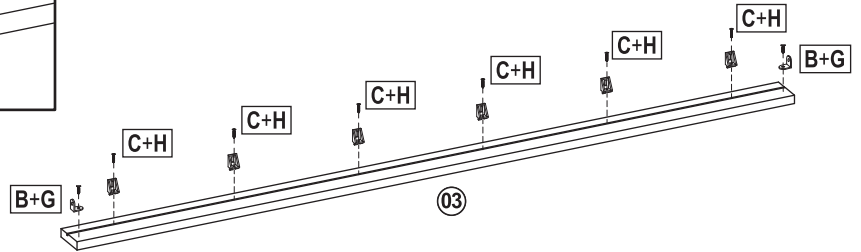
B		M3.5x12mm	x2
C		M3.5x16mm	x6
G			x2
H			x6

### TOOLS REQUIRED



### IMPORTANT:

Install Bracket (G) flush with the ends of Part 3. Ensure Angled Support (H) is installed exactly as shown.



## STEP 2

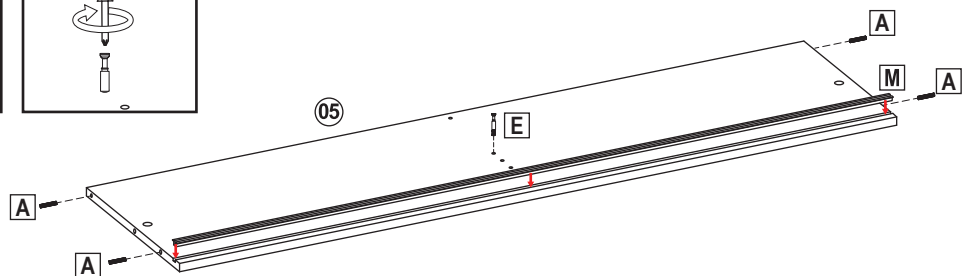
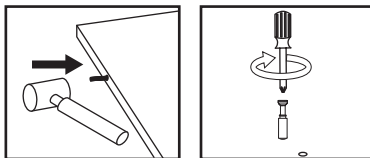
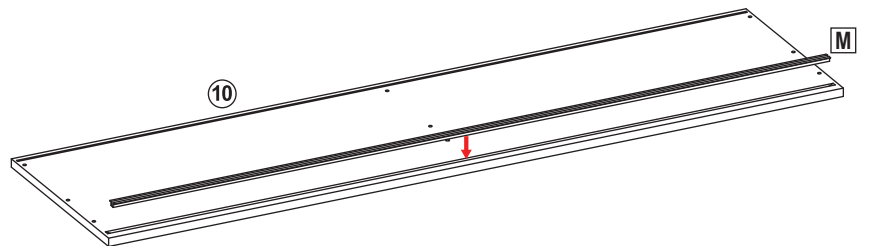
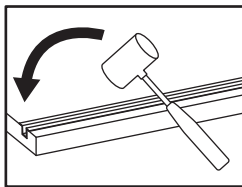
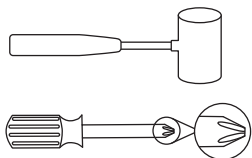
### PARTS REQUIRED

05 x1 10 x1

### HARDWARE REQUIRED

A			x4
E			x1
M			x2

### TOOLS REQUIRED





### STEP 3

#### PARTS REQUIRED

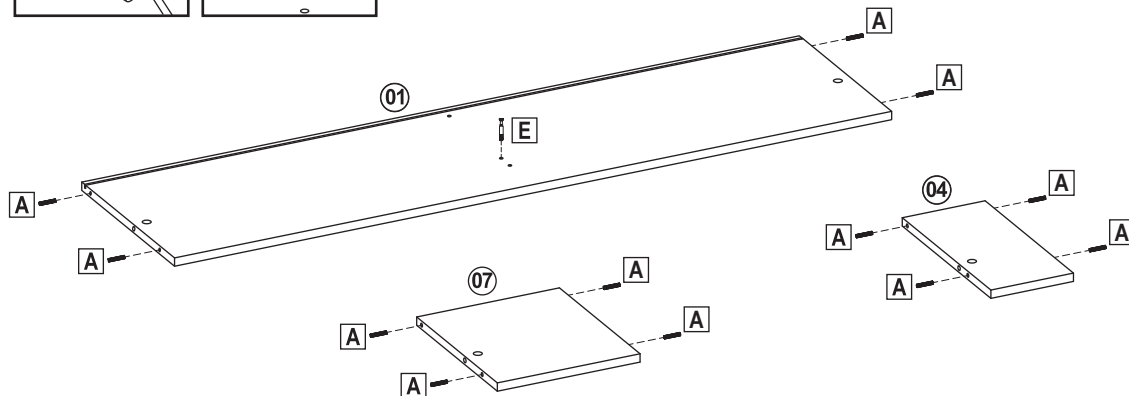
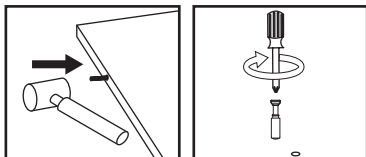
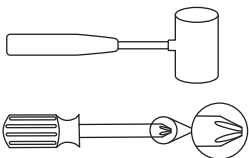
01 x1 04 x1 07 x1

#### HARDWARE REQUIRED

A  x12

E  x1

#### TOOLS REQUIRED




### STEP 4

#### PARTS REQUIRED

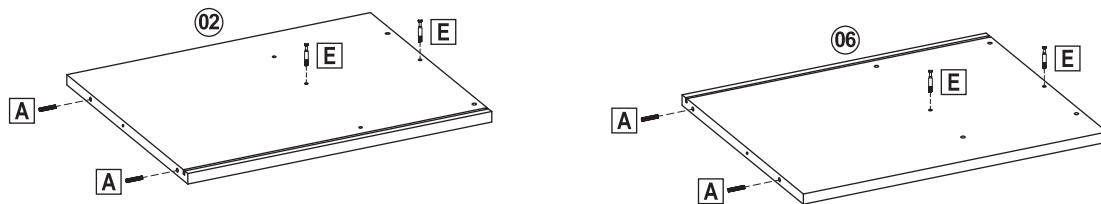
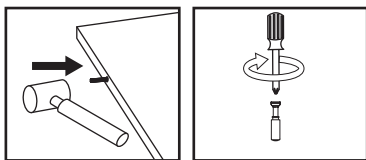
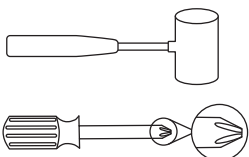
02 x1 06 x1

#### HARDWARE REQUIRED

A  x4

E  x4

#### TOOLS REQUIRED



### STEP 5

#### PARTS REQUIRED

11 x1

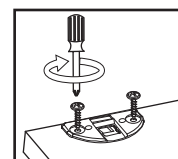
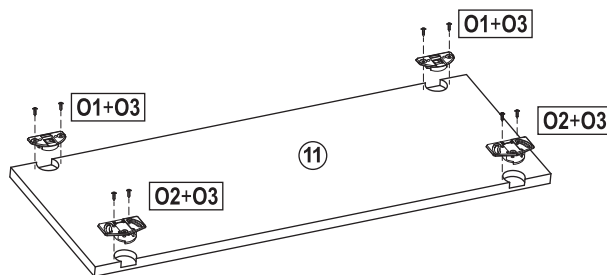
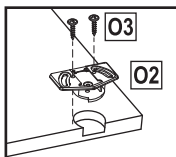
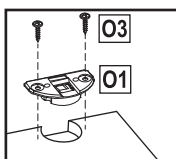
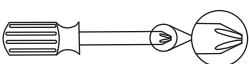
#### HARDWARE REQUIRED

O1  x2

O2  x2

O3  x8

#### TOOLS REQUIRED

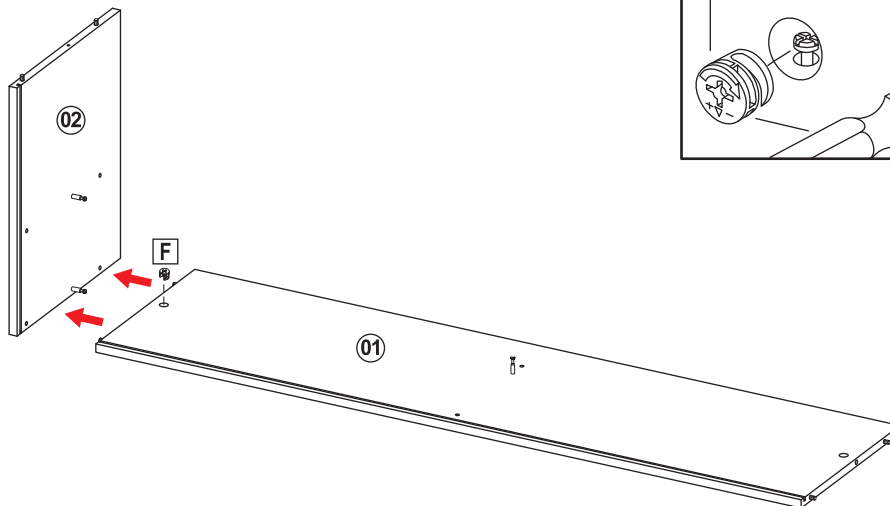
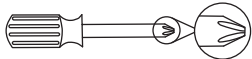


## STEP 6

### HARDWARE REQUIRED



F   x1

### TOOLS REQUIRED



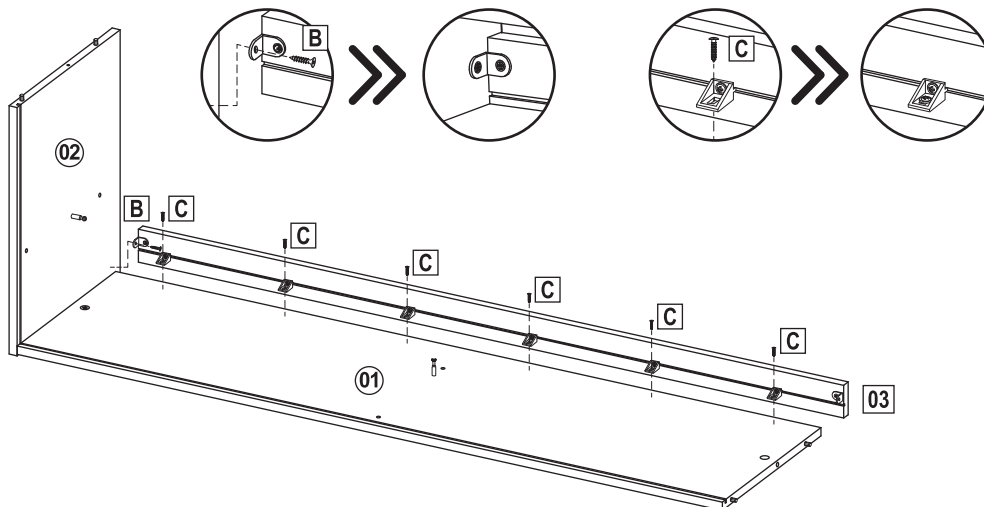
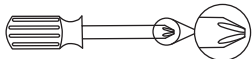
## STEP 7

### HARDWARE REQUIRED

B   M3.5x12mm x1

C   M3.5x16mm x6

### TOOLS REQUIRED

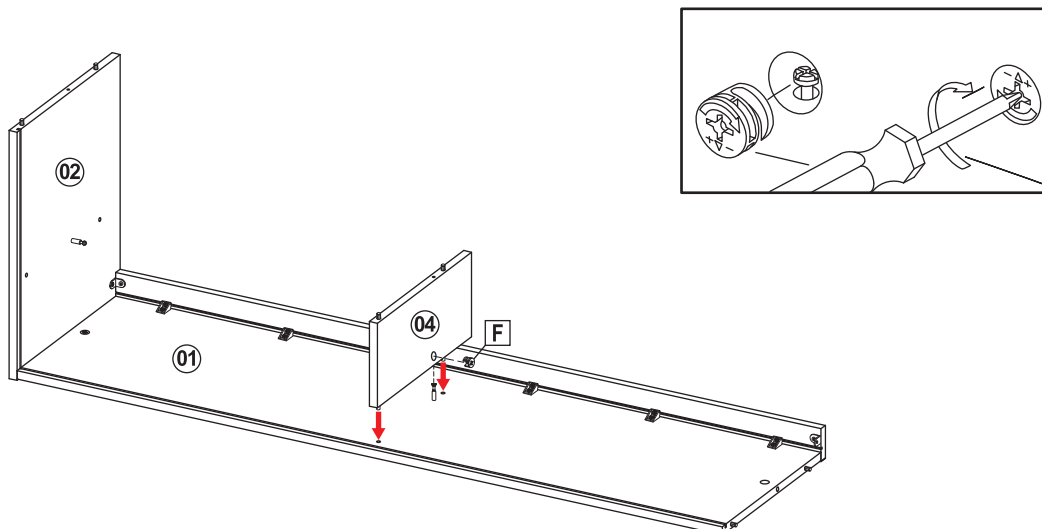
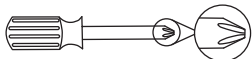


## STEP 8

### HARDWARE REQUIRED






F   x1

### TOOLS REQUIRED

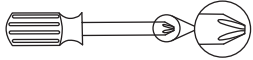


## STEP 9

### HARDWARE REQUIRED

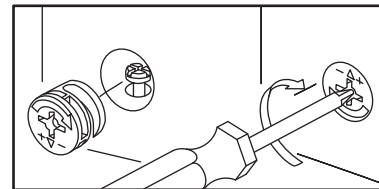
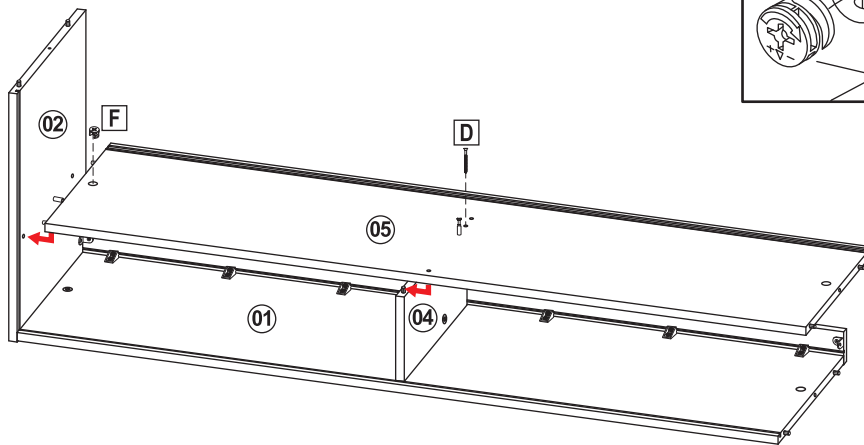
F		x1
D	   	x1

### TOOLS REQUIRED





### IMPORTANT:

Part 5 - ensure the groove for the door slides is installed on the front of the unit.

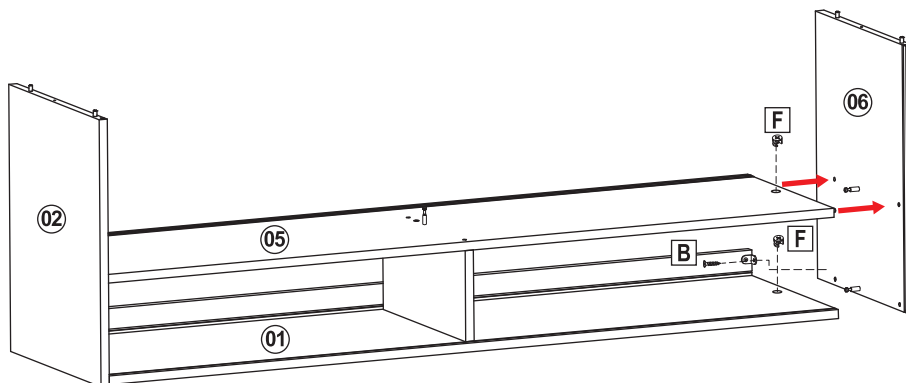
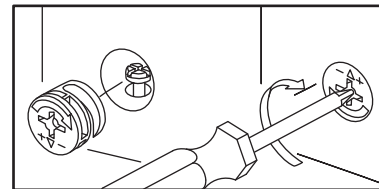
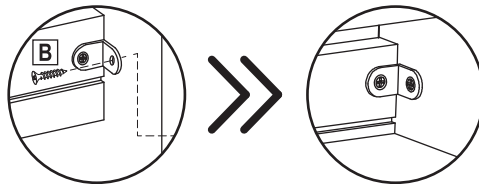
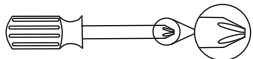


## STEP 10

### HARDWARE REQUIRED



B		M3.5x12mm	x1
F			x2

### TOOLS REQUIRED

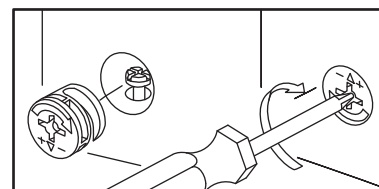
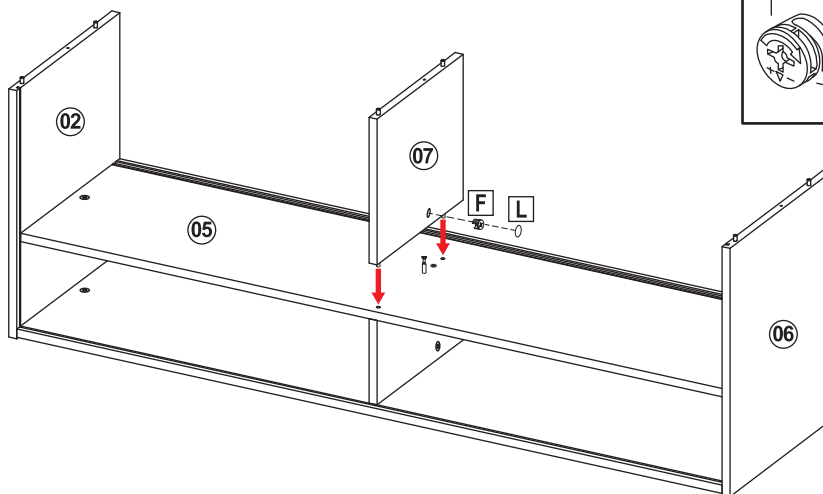
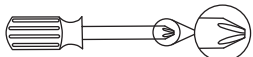


## STEP 11

### HARDWARE REQUIRED

F		x1
L		x1

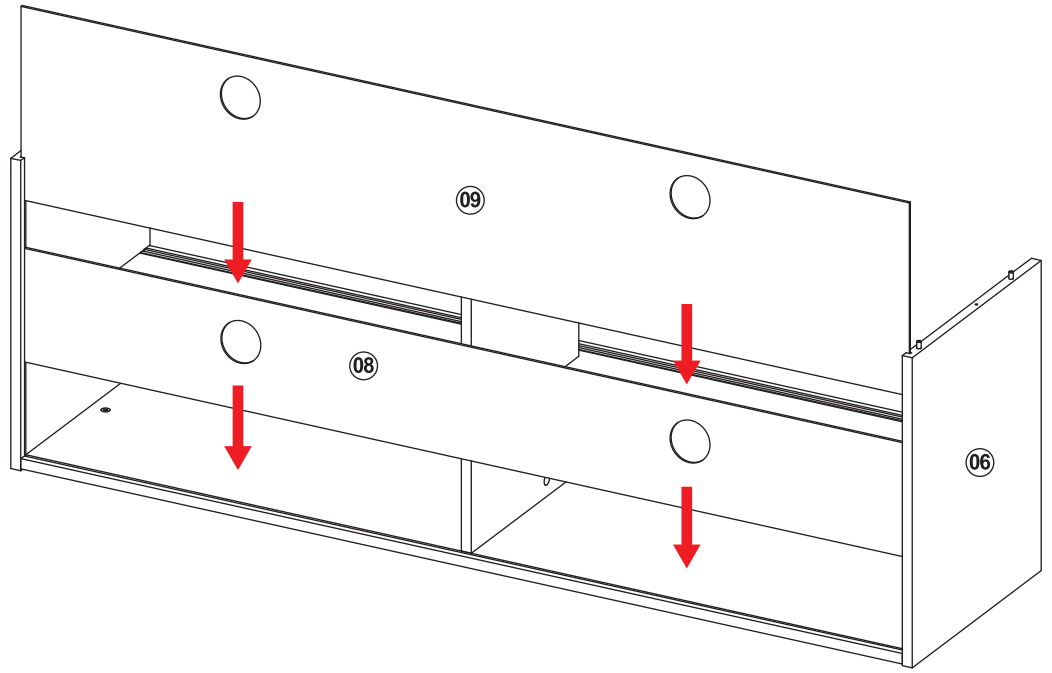
### TOOLS REQUIRED



# STEP 12


## PARTS REQUIRED

08 x1 09 x1

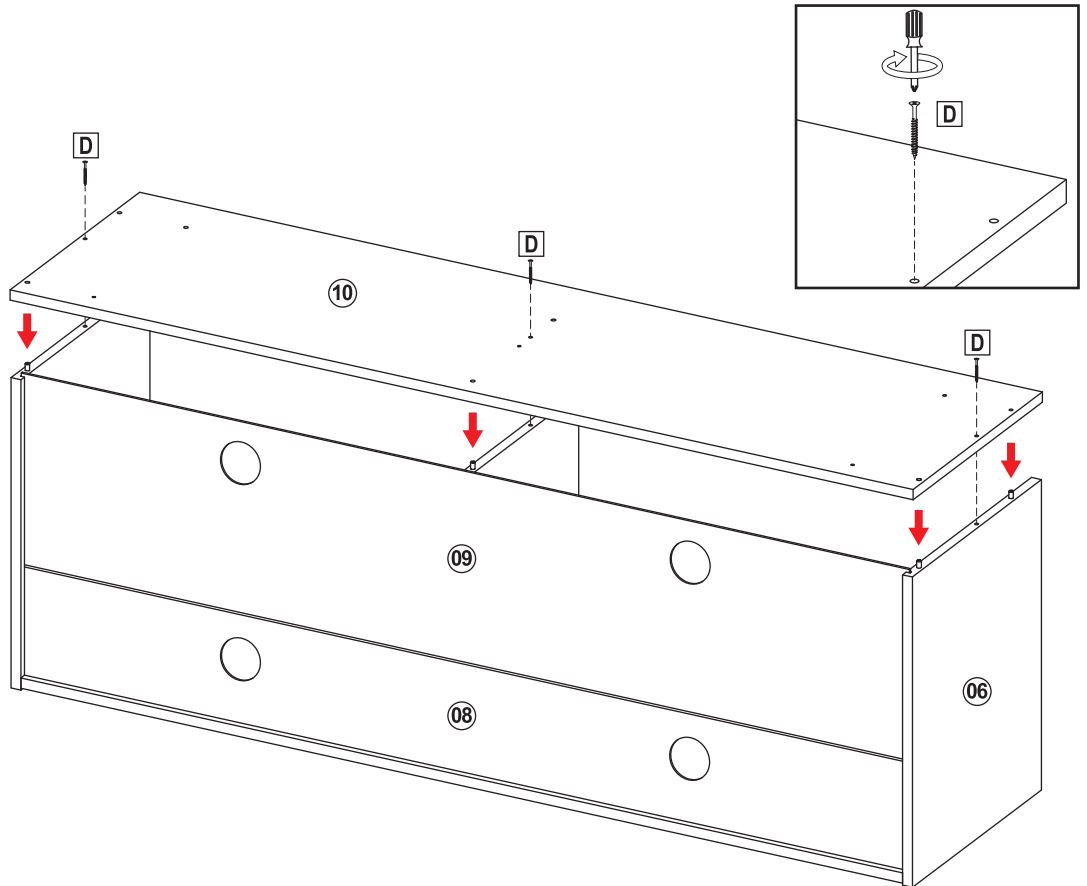
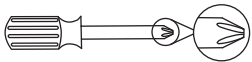


# STEP 13

## HARDWARE REQUIRED

D  M4x50mm x3







## TOOLS REQUIRED



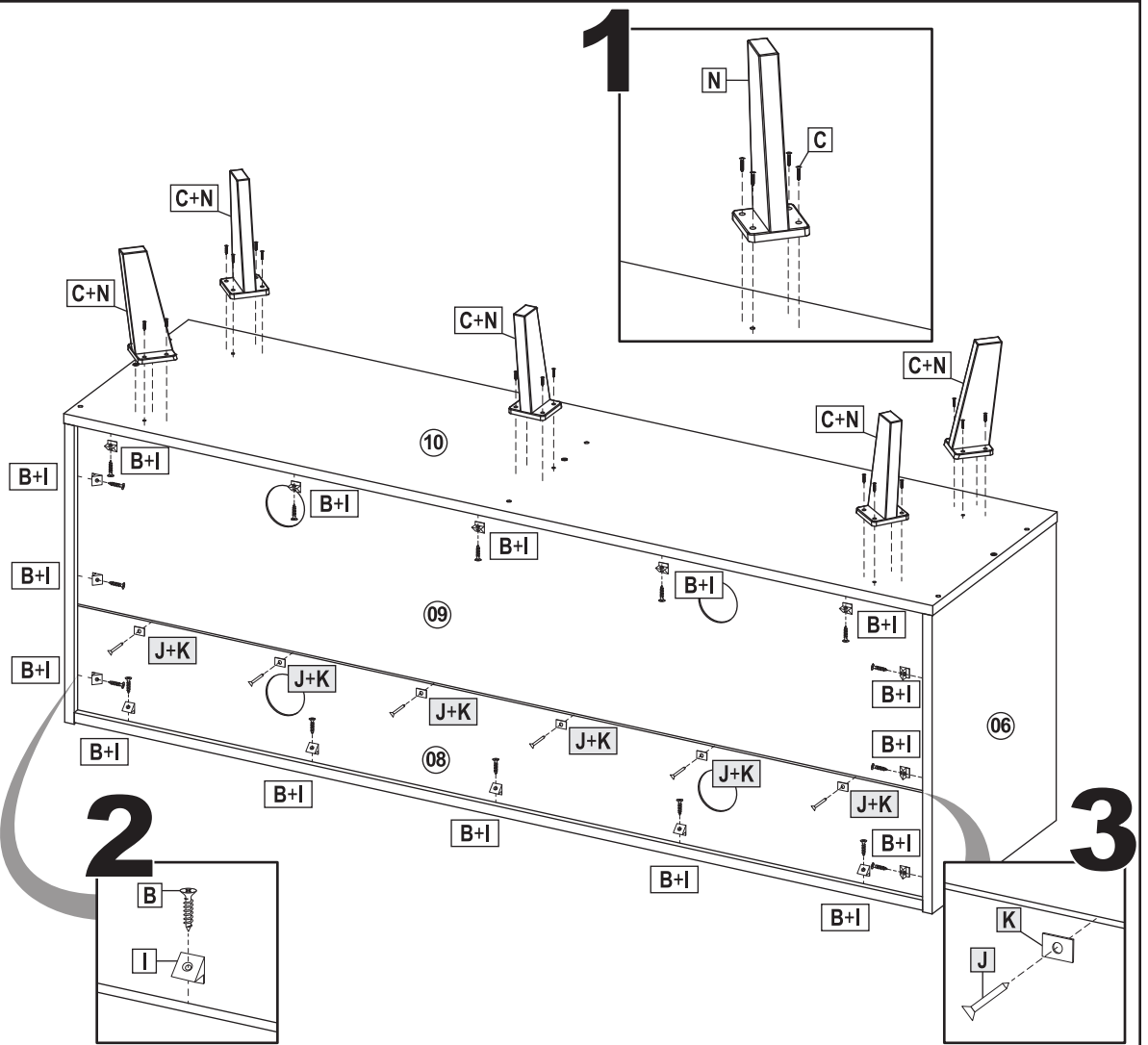
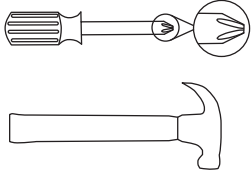


# STEP 14

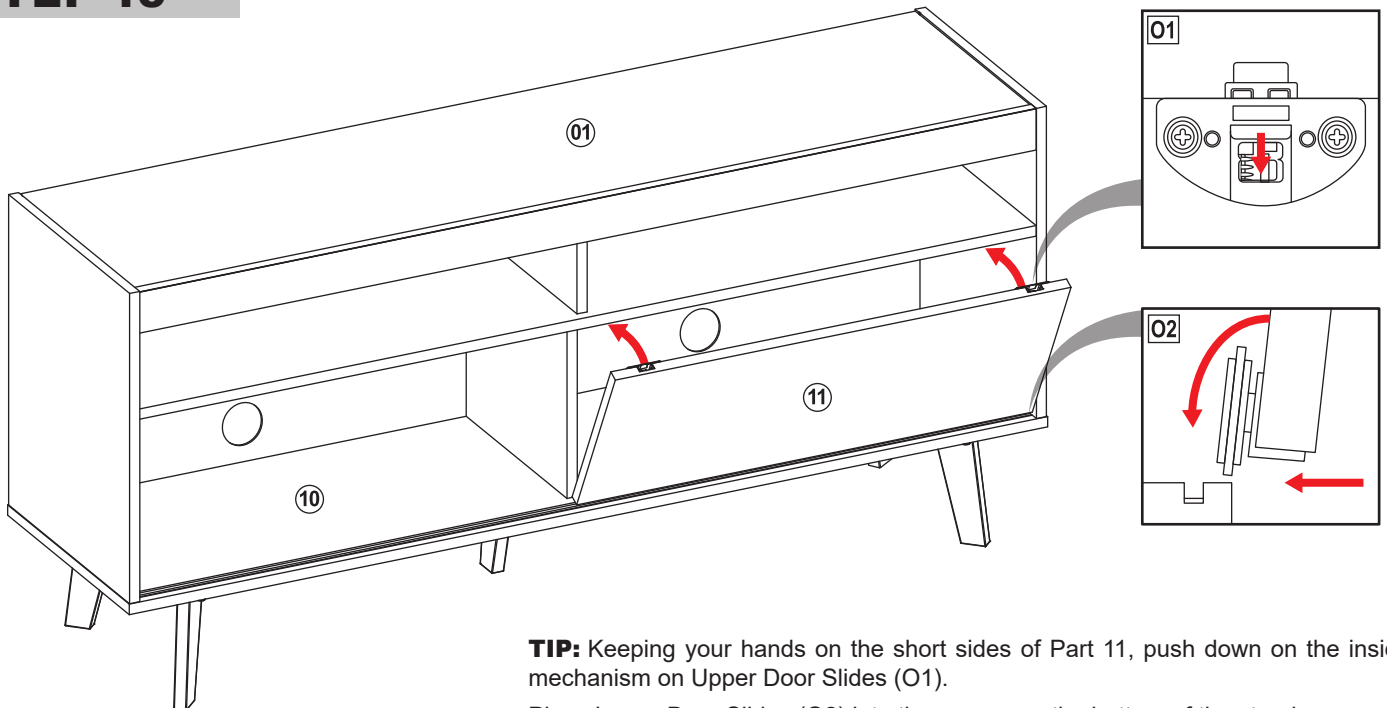
## HARDWARE REQUIRED

B		M3.5x12mm	x16
C		M3.5x16mm	x20
I			x16
J			x6
K			x6
N			x5

## TOOLS REQUIRED



# STEP 15



**TIP:** Keeping your hands on the short sides of Part 11, push down on the inside mechanism on Upper Door Slides (O1).

Place Lower Door Slides (O2) into the groove on the bottom of the stand.

Align the upper door slides with the shelf and release the upper slide mechanisms.

## SAFETY STATEMENTS & WARNINGS

- Residential use only. Not for commercial or industrial use.
- For indoor use only.
- Ensure fittings are tight before use. Periodically check fitting to ensure they are tight.
- Only use this unit on a flat, level surface.
- Do not sit, stand or climb on the unit.
- Supervise children; never allow children to climb or sit on this unit as it may tip over and cause serious injury.
- Do not place liquids or hot items on the furniture.
- Never use chemical cleaning products or polishes as they may damage the finish.
- Do not overload the shelves as doing so may cause the shelves to sag.
- Do not place the unit in direct sunlight.
- Avoid placing unit near heating or cooling vents as forced air is very drying and can damage the unit.
- Do not write on furniture without a padded barrier to protect the surface.

**Any modification to the product or failure to follow recommended care will void the product warranty.**

*If you experience issues with assembly or the product was damaged during shipping, please contact our customer service team directly through one of the methods mentioned at the top of page 1. Please have the item number and order information ready to expedite response time.*

## NOTICE:

**Manufacturer and seller expressly disclaim any and all liability from personal injury, property damage or loss, whether direct or indirect, or incidental, resulting from the incorrect attachment, improper use, inadequate maintenance, or neglect of this product.**