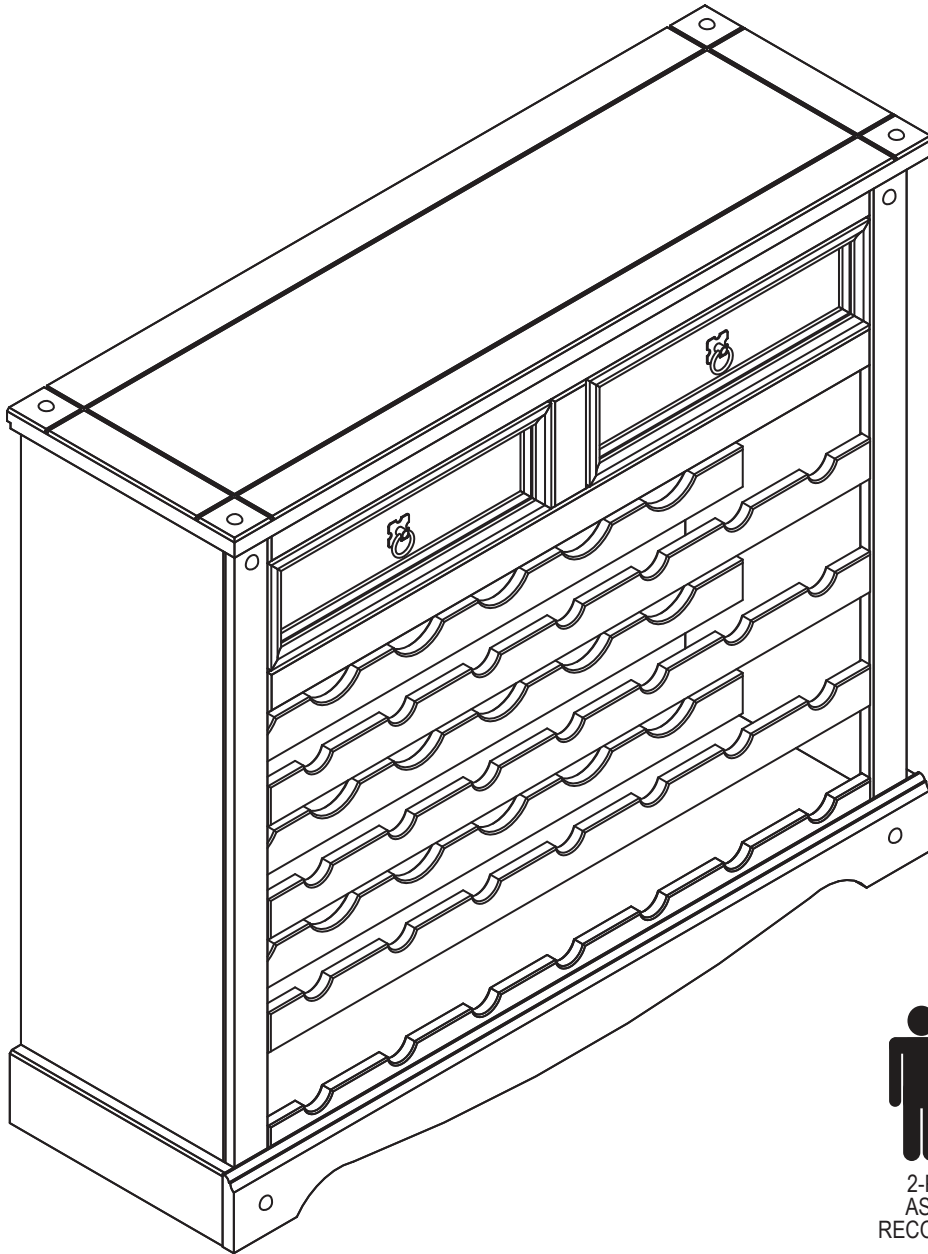




Thank you for choosing Sunnydaze Decor. We stand behind our brand and the quality of the items we sell. Replacement parts or products will be sent at our discretion within the 1-year warranty period. Proof of purchase, with the date of purchase as well as photos of the merchandise defect, must be provided. Photos are used to determine the cause of defects and for future quality control. Register your warranty at <https://tiny.cc/SunnydazeWarranty>. If you have any questions, comments or concerns, feel free to contact us by phone at 833-982-1977, by email: customerservice@sunnydazedecor.com, or via our contact us page at <https://tiny.cc/SunnydazeContact>

WINE CABINET WITH DRAWERS

AGR-379

Carefully review assembly and care instructions before using this product. Save this document for future reference.
Assemble components on a soft, clean surface to avoid scratching or damaging the finish.



 Inspect packaging to ensure all parts are accounted for before disposing of packing materials.
 Save the packing slip.

SCAN THIS CODE WITH YOUR SMARTPHONE TO VIEW OUR ASSEMBLY VIDEO




 2-PERSON ASSEMBLY RECOMMENDED

HELPFUL HINTS

Sunnydaze Decor advises reviewing this manual fully, and assembling the unit soon after purchase. Check that all parts are accounted for and familiarize yourself with the assembly before beginning.

SAVE THIS MANUAL FOR FUTURE REFERENCE.

INTRODUCTION

Read the manual carefully to ensure you fully understand all use, care, assembly, and safety information.



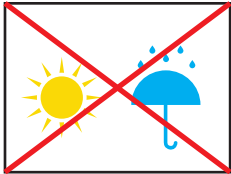
Read this manual carefully and follow the assembly instructions in the order listed. Pay close attention to assembly drawings.



Regularly clean with a clean microfiber cloth to prevent dust accumulation.



Do not paint the unit.
Do not use abrasive materials or cleaners to clean the furniture.



Indoor use only.
Do not expose the furniture to heat or humidity.



When cleaning nearby the furniture, do not allow contact with water or cleaners as it may deteriorate the furniture.



Do not allow metal components to come in contact with water or cleaners as it may cause rust and staining.



Assemble on a soft, flat, clean, and dry surface.



Use a soft, protective barrier when assembling the furniture.

TIP: Use the box carton as a protective layer to separate and protect the parts from scratches and other damage during assembly.



Do not push or drag furniture as doing so may damage the unit.

Only move furniture when it is empty.

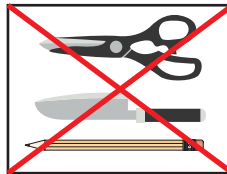


Always ask for help when moving furniture.



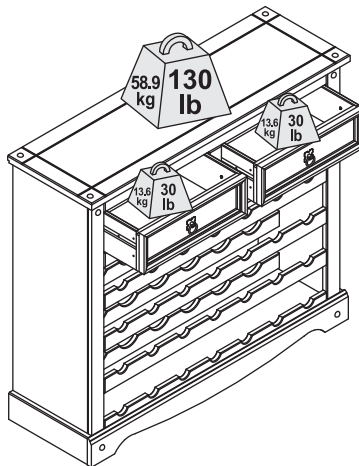
Avoid Accidents - Do not climb, sit or stand on the furniture.

Do not allow children to play on or inside the furniture.



Keep sharp objects away as they may scratch or damage the unit.

Do not use the furniture as a writing surface without a padded barrier.



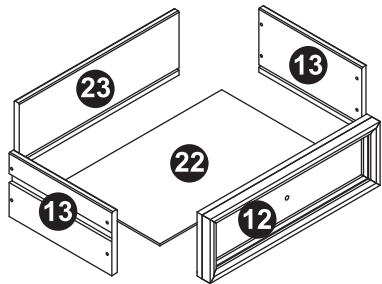
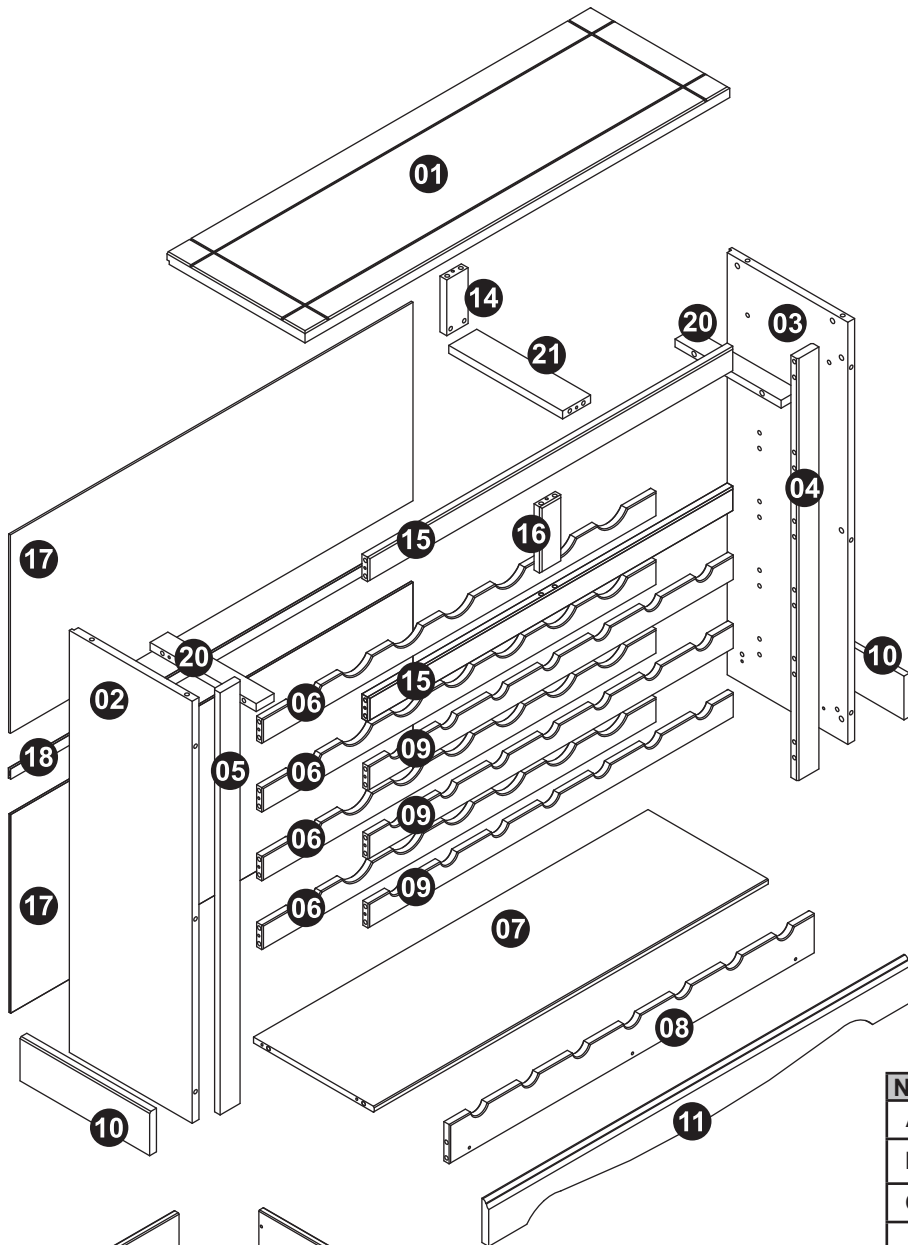
! NOTICE:

Manufacturer and seller expressly disclaim any and all liability from personal injury, property damage or loss, whether direct or indirect, or incidental, resulting from the incorrect attachment, improper use, inadequate maintenance, or neglect of this product.

COMPONENTS



Inspect packaging to ensure all parts are accounted for before disposing of packing materials.
 Save the packing slip.



x2

TOOLS REQUIRED (not included)	
	Phillips Screwdriver
	Regular Screwdriver
	Rubber Mallet
	Hammer
	Power Drill, 6mm Drill Bit, 2mm Drill Bit <i>(only use for installing wall anchor kit)</i>

SEQ.	PART NAME	QTY.
01	Top	1
02	Left Side Panel	1
03	Right Side Panel	1
04	Right Stile	1
05	Left Stile	1
06	Back Bottle Rail	4
07	Bottom	1
08	Front Base Bottle Rail	1
09	Front Bottle Rail	3
10	Side Trim Board (L/R)	2
11	Front Trim Board	1
12	Drawer Face	2
13	Drawer Side (L/R)	4
14	Drawer Rail Support	1
15	Horizontal Face Frame	2
16	Vertical Face Frame	1
17	Backing Board	2
18	Divider	1
20	Outside Drawer Rail (L/R)	2
21	Center Drawer Rail	1
22	Drawer Bottom	2
23	Drawer Back	2

NO.	HARDWARE	QTY.
A	Wood Dowel	68
B	M4.5x28mm Pan Screw	36
C	M3.5x30mm Flat Screw	16
D	Handle Set	2
E	M3.5x25mm Pan Screw	14
F	M4x14mm Flat Screw	12
G	Tack	8
H	Connector	10
J	Drawer Slide	4
K	M4x8mm Bolt	4
Y	Wall Anchor Kit	1
Z	8x8mm Nail	26

! WARNING !
CHOKING HAZARD — This item contains small parts that can be swallowed. Keep children and pets away during assembly.

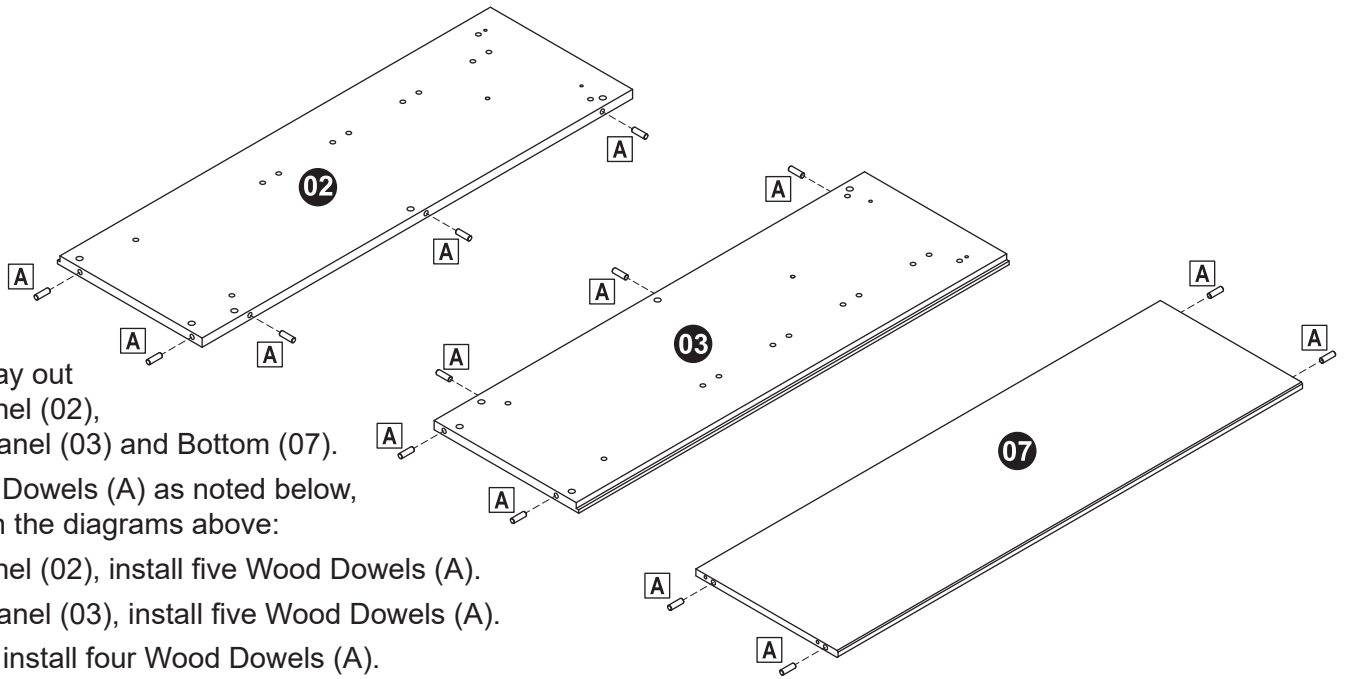
ASSEMBLY

Carefully review all steps and fully understand assembly before beginning.

IMPORTANT: Take care not to over-tighten screws as doing so may crack the wood or strip the screw hole, causing a weak connection and reduced stability.

STEP 1

02: 1
03: 1
07: 1
A: 14



Locate and lay out
Left Side Panel (02),
Right Side Panel (03) and Bottom (07).

Install Wood Dowels (A) as noted below,
and shown in the diagrams above:

Left Side Panel (02), install five Wood Dowels (A).

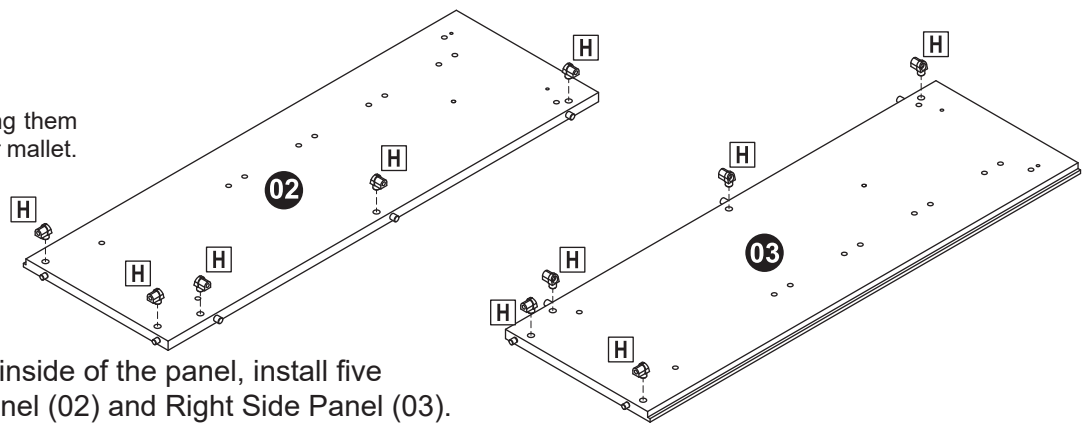
Right Side Panel (03), install five Wood Dowels (A).

Bottom (07), install four Wood Dowels (A).

STEP 2

H: 10

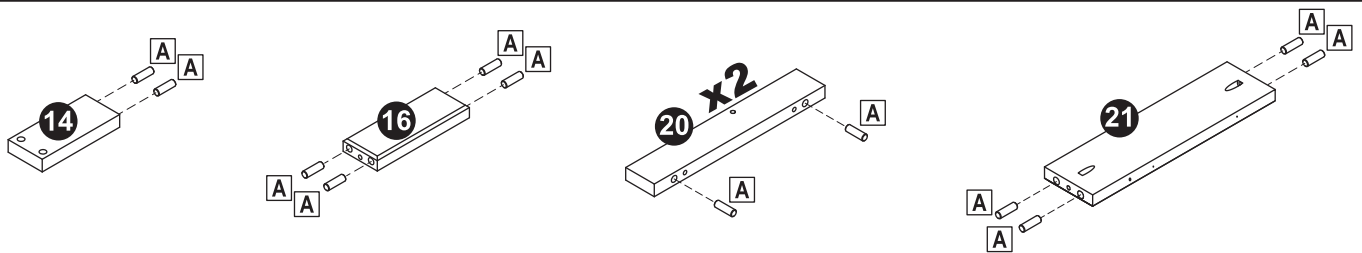
TIP: Install connectors by gently tapping them
into the designated holes using a rubber mallet.



With the angled edge facing the inside of the panel, install five
Connectors (H) into Left Side Panel (02) and Right Side Panel (03).

STEP 3

14: 1
16: 1
20: 2
21: 1
A: 14



Locate and lay out Drawer Rail Support (14), Vertical Face Frame (16), two Outside Drawer Rails (20) and Center
Drawer Rail (21).

Install Wood Dowels (A) as noted below, and shown in the diagrams above:

Drawer Rail Support (14), install two Wood Dowels (A).

Vertical Face Frame (16), install four Wood Dowels (A).

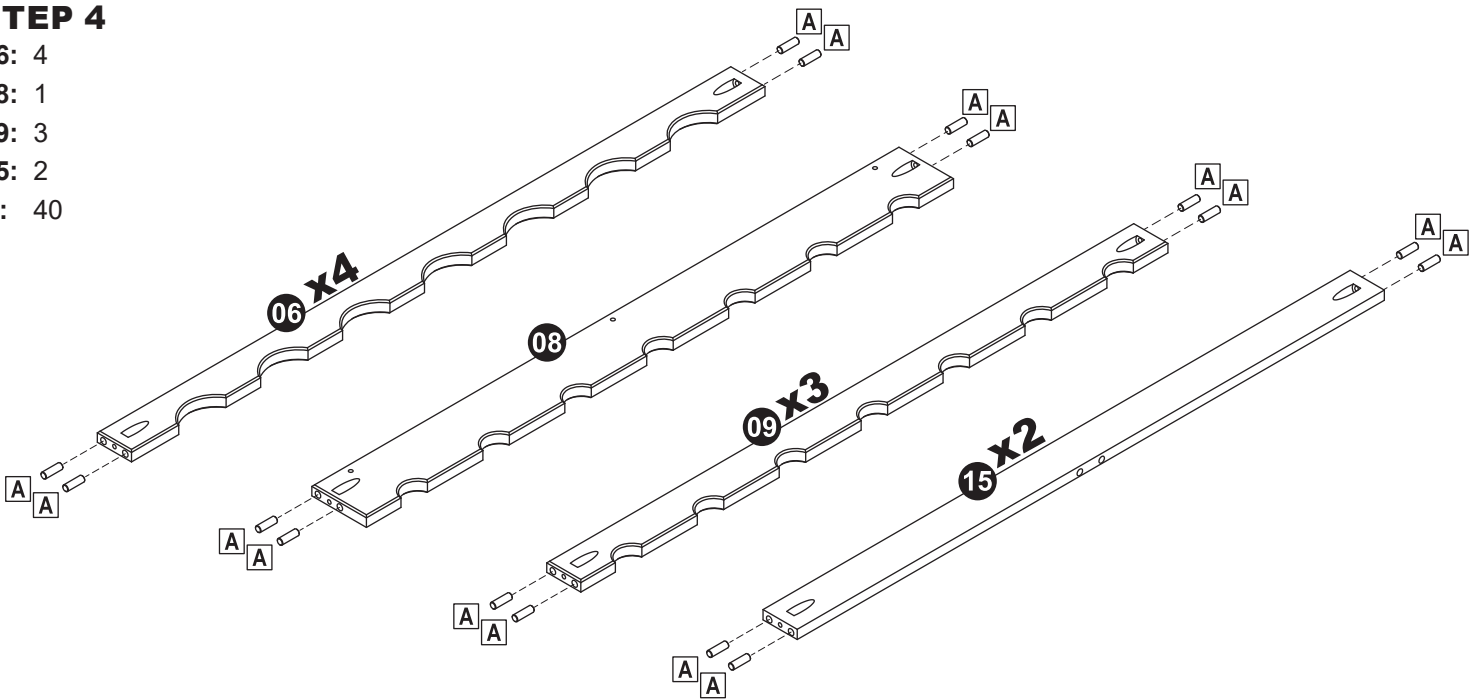
Outside Drawer Rail (20), install two Wood Dowels (A). Repeat with the remaining rail.

Center Drawer Rail (21), install four Wood Dowels (A).

Set components aside, label if necessary.

STEP 4

06: 4
08: 1
09: 3
15: 2
A: 40

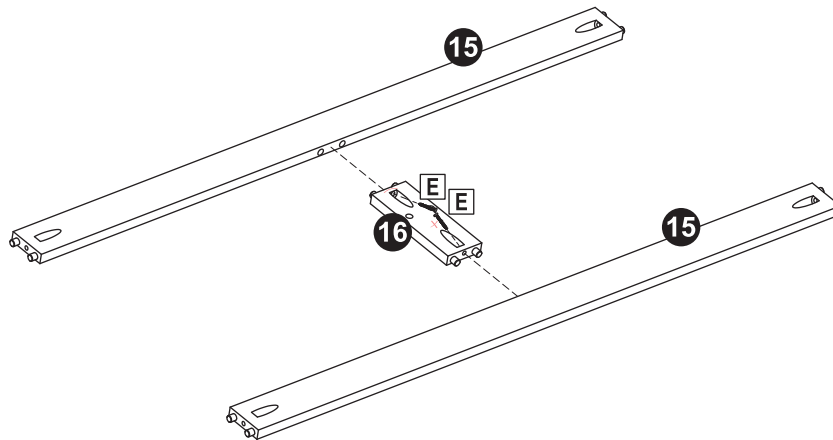


Install four Wood Dowels (A) into four Back Bottle Rails (06), Front Base Bottle Rail (08), three Front Bottle Rails (09), and two Horizontal Face Frames (15), as shown.

Set components aside, label if necessary.

STEP 5

E: 2



With the angled mounting holes facing upward, align two Horizontal Face Frames (15) and Vertical Face Frame (16). Secure using two M3.5x25mm Pan Screws (E).

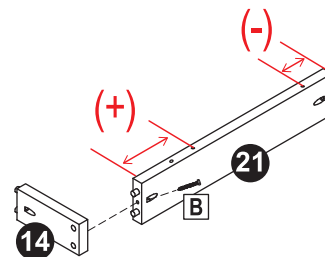
NOTE: Vertical Face Frame (16) is marked with a + and - symbol to indicate there is a lesser and greater distance between the dowel mounting holes and the edges; this will be important during Step 7.

STEP 6

B: 1

IMPORTANT:

Ensure these components are installed exactly as shown. These pieces must be installed in the correct direction for drawer slide installation to be performed as intended.

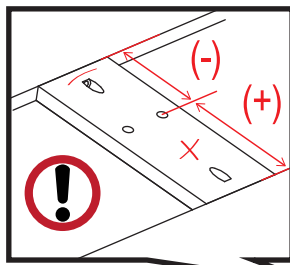


Identify the two indents on Center Drawer Rail (21), the indent with the longer distance between the indent and the edge of the rail must be installed toward Drawer Rail Support (14).

Ensuring the angled mounting holes face outward as shown in the diagram, align Center Drawer Rail (21) with Drawer Rail Support (14). Secure using one M4.5x28mm Pan Screw (B).

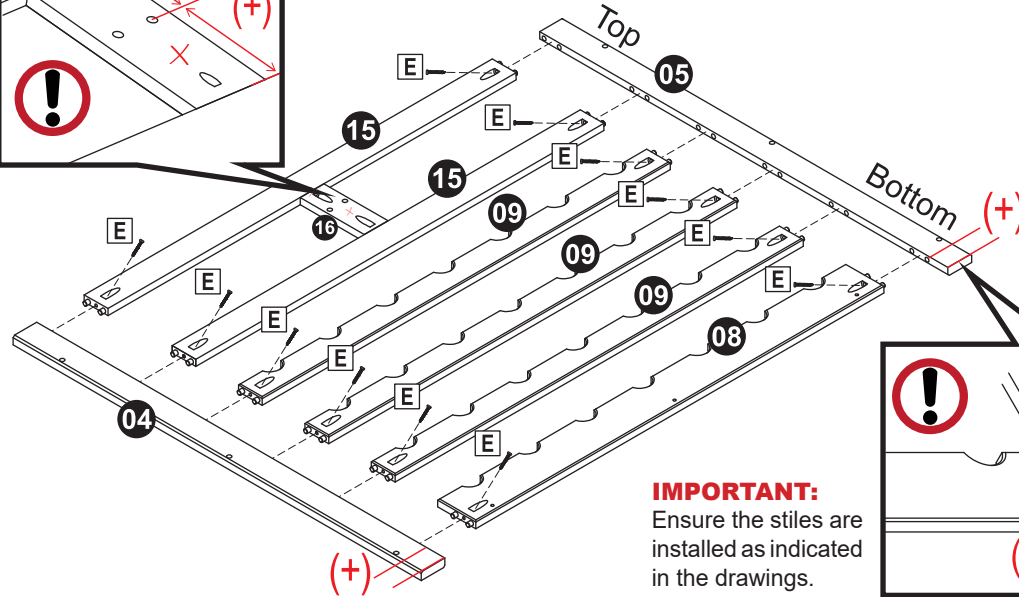
STEP 7

04: 1
05: 1
E: 12



IMPORTANT:

Ensure components are installed in the correct direction, as shown in the diagram.



IMPORTANT:

Ensure the stiles are installed as indicated in the drawings.

With the angled mounting holes facing upward, lay out the assembled face frame (15,16,15), three Front Bottle Rails (09), Front Base Bottle Rail (08), Right Stile (04), and Left Stile (05), as shown above.

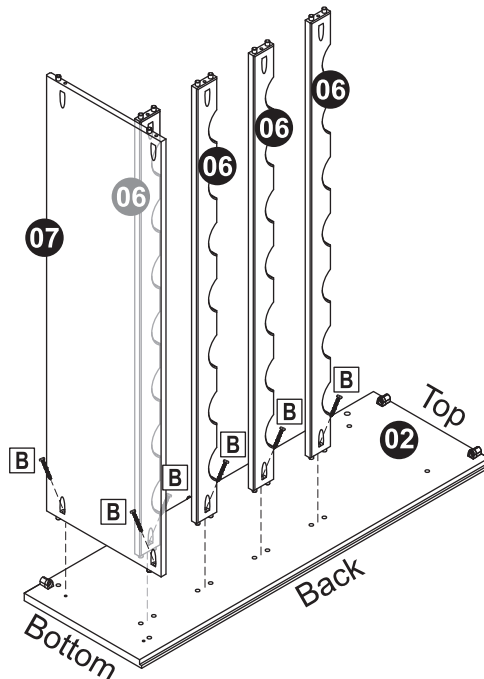
NOTE: Vertical Face Frame (16) is marked with a + and - symbol to indicate there is a lesser and greater distance between the dowel mounting holes and the edges, the minus (-) side must be on top.

NOTE: The bottom of the stiles have a gap between the dowel mounting holes and the edge.

After components are aligned as shown above, use twelve M3.5x25mm Pan Screws (E) to secure the stiles. Set assembled front frame aside.

STEP 8

B: 6

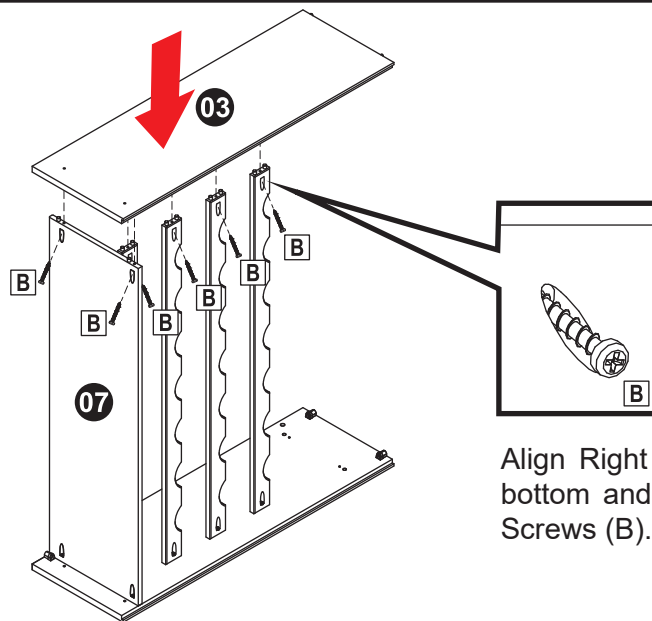


Ensuring the angled mounting holes face the back and the wine bottle grooves face the top, align four Back Bottle Rails (06) with Left Side Panel (02) and secure using four M4.5x28mm Pan Screws (B).

With the angled mounting holes facing the bottom, align Bottom (07) with the side panel and secure using two M4.5x28mm Pan Screws (B).

STEP 9

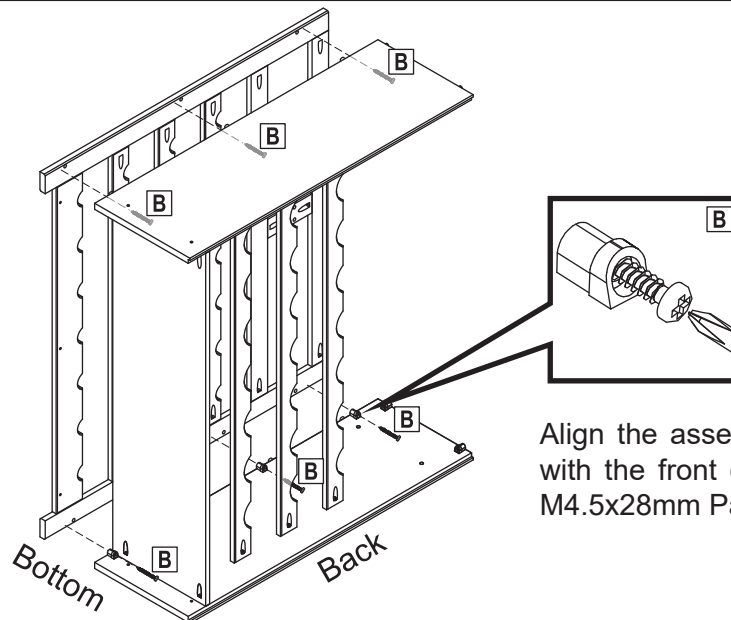
B: 6



Align Right Side Panel (03) with the rails and bottom and secure using six M4.5x28mm Pan Screws (B).

STEP 10

B: 6

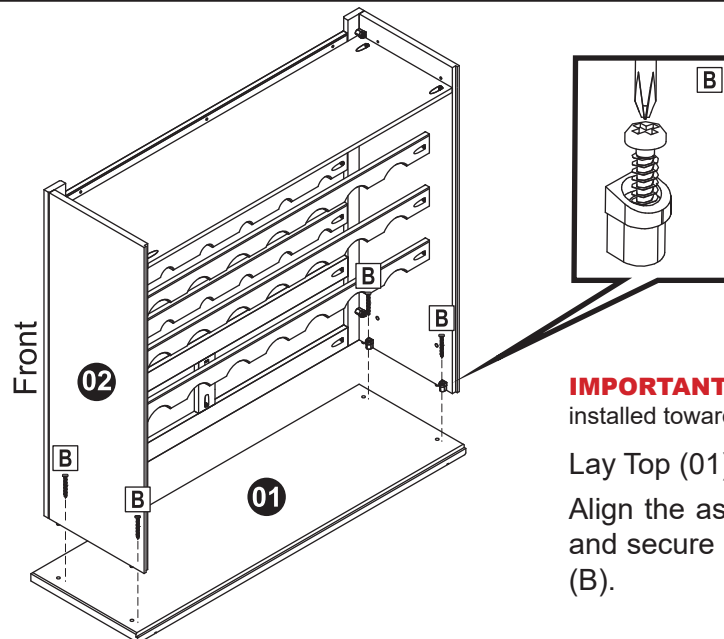


Align the assembled front frame (from Step 7) with the front of the unit and secure using six M4.5x28mm Pan Screws (B).

STEP 11

01: 1

B: 4



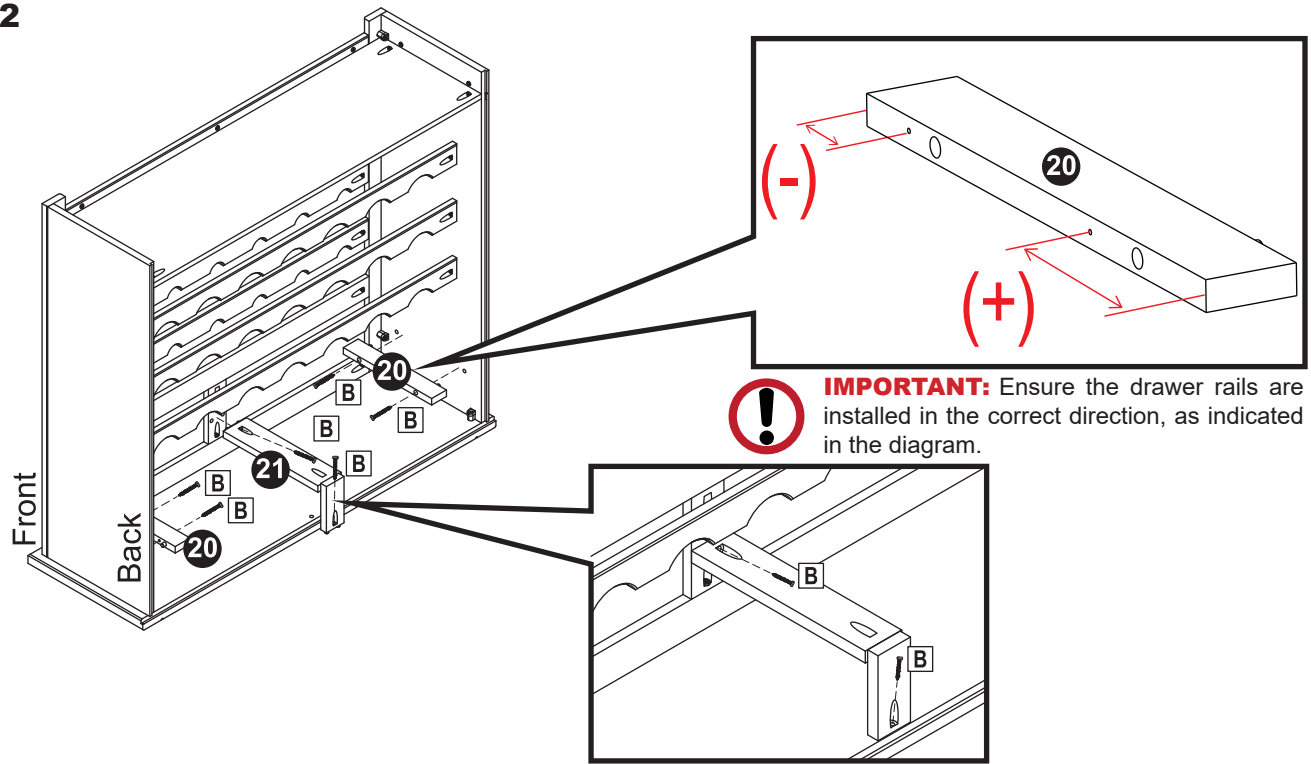
IMPORTANT: Ensure the finished edge of the top is installed toward the front of the cabinet.

Lay Top (01) on a flat, clean surface.

Align the assembled components with Top (01) and secure using four M4.5x28mm Pan Screws (B).

STEP 12

B: 6



Identify the two indents on Outside Drawer Rails (20), the indent with the shortest distance between the indent and the edge of the rail must be installed toward the front of the cabinet.

Secure one Drawer Rail (20) to each side of the cabinet using two M4.5x28mm Pan Screws (B) for each rail.

Align the center drawer rail with the vertical face frame and the top, and secure using two M4.5x28mm Pan Screws (B).

STEP 13

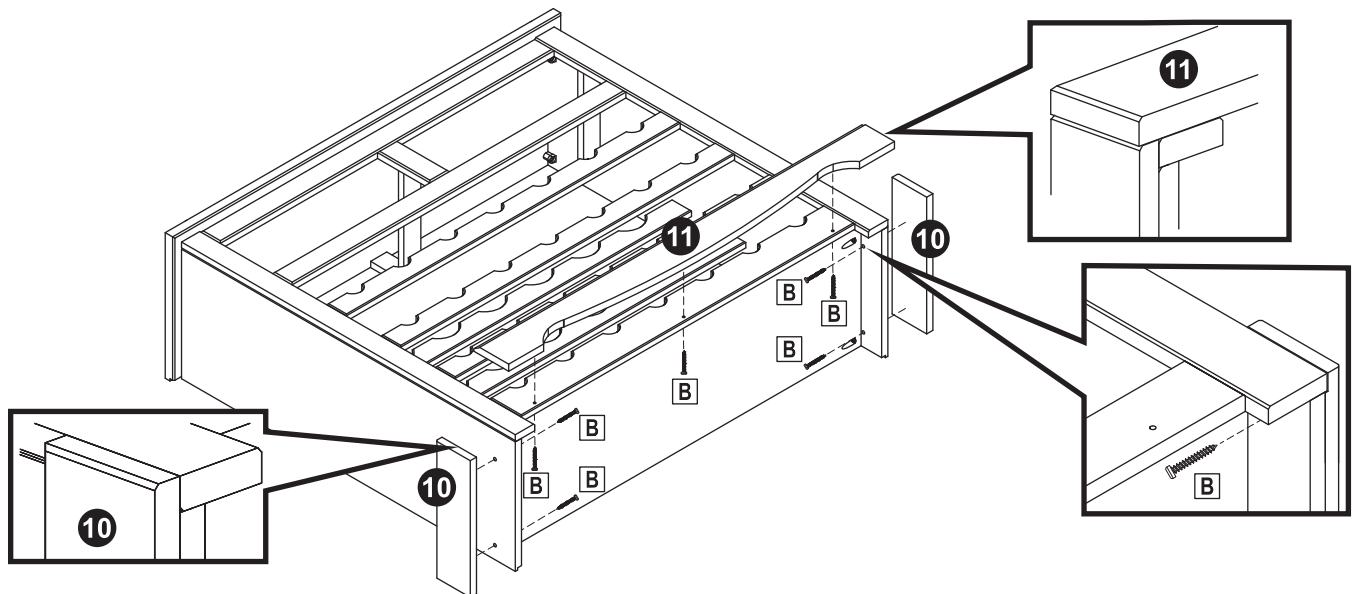
10: 2

11: 1

B: 7



Assistance is recommended for this step.



NOTE: Have an assistant firmly hold the trim boards in place to ensure they remain flush with the unit while hardware is secured.

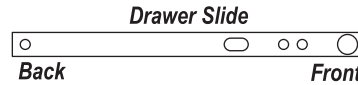
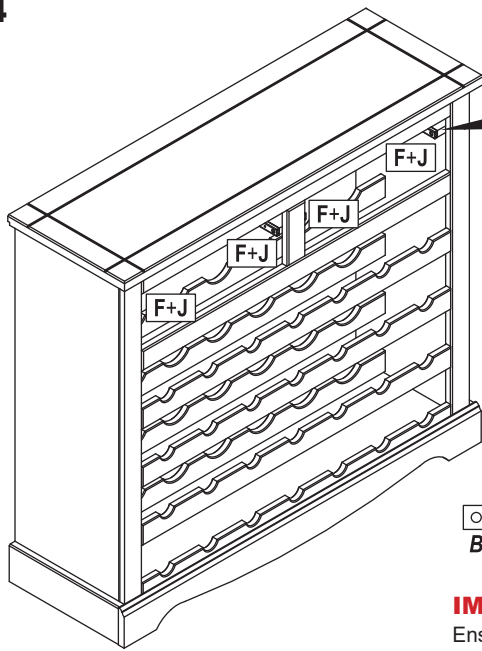
Align two Side Trim Boards (10) with the bottom of the unit, as shown. From the inside of the side panels, secure each trim board using two M4.5x28mm Pan Screws (B).

Align Front Trim Board (11) with the bottom, front of the unit. Secure the trim board to the bottom frame using three M4.5x28mm Pan Screws (B).

STEP 14

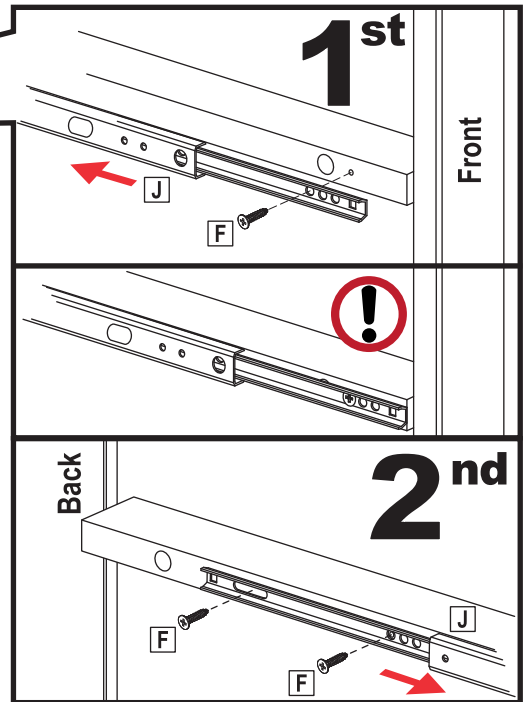
F: 12

J: 4



IMPORTANT:

Ensure the drawer slide remains centered on the drawer rail; if the slides are not centered, the drawer will be crooked.



Push the front of Drawer Slide (J) backward. Align the 3rd round hole on the front of the drawer slide with the front indent on the drawer rail and secure using one M4x14mm Flat Screw (F).

Slide the top piece of the drawer slide forward, the backside indent will align with the 1st small round hole on the back of the slide. Ensuring the slide is centered on the drawer rail, secure the 1st small round hole, then secure the oblong hole using two M4x14mm Flat Screws (F), as shown.

Repeat this process to secure the remaining three drawer slides.

STEP 15

12: 2

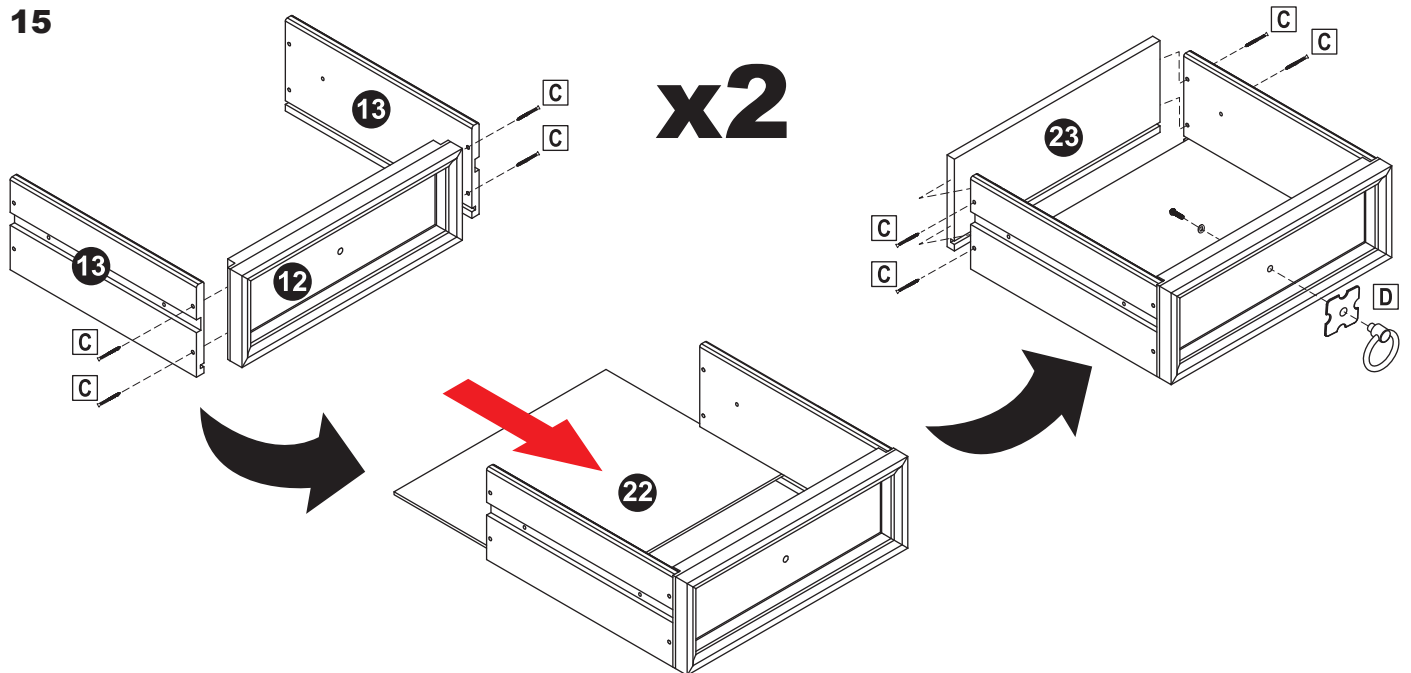
13: 4

22: 2

23: 2

C: 16

D: 2



Ensuring the inside grooves align, secure two Drawer Sides (13) to Drawer Face (12) using four M3.5x30mm Flat Screws (C).

Slide Drawer Bottom (22) into the grooves.

Align and secure Drawer Back (23) to the drawer sides using four M3.5x30mm Flat Screws (C).

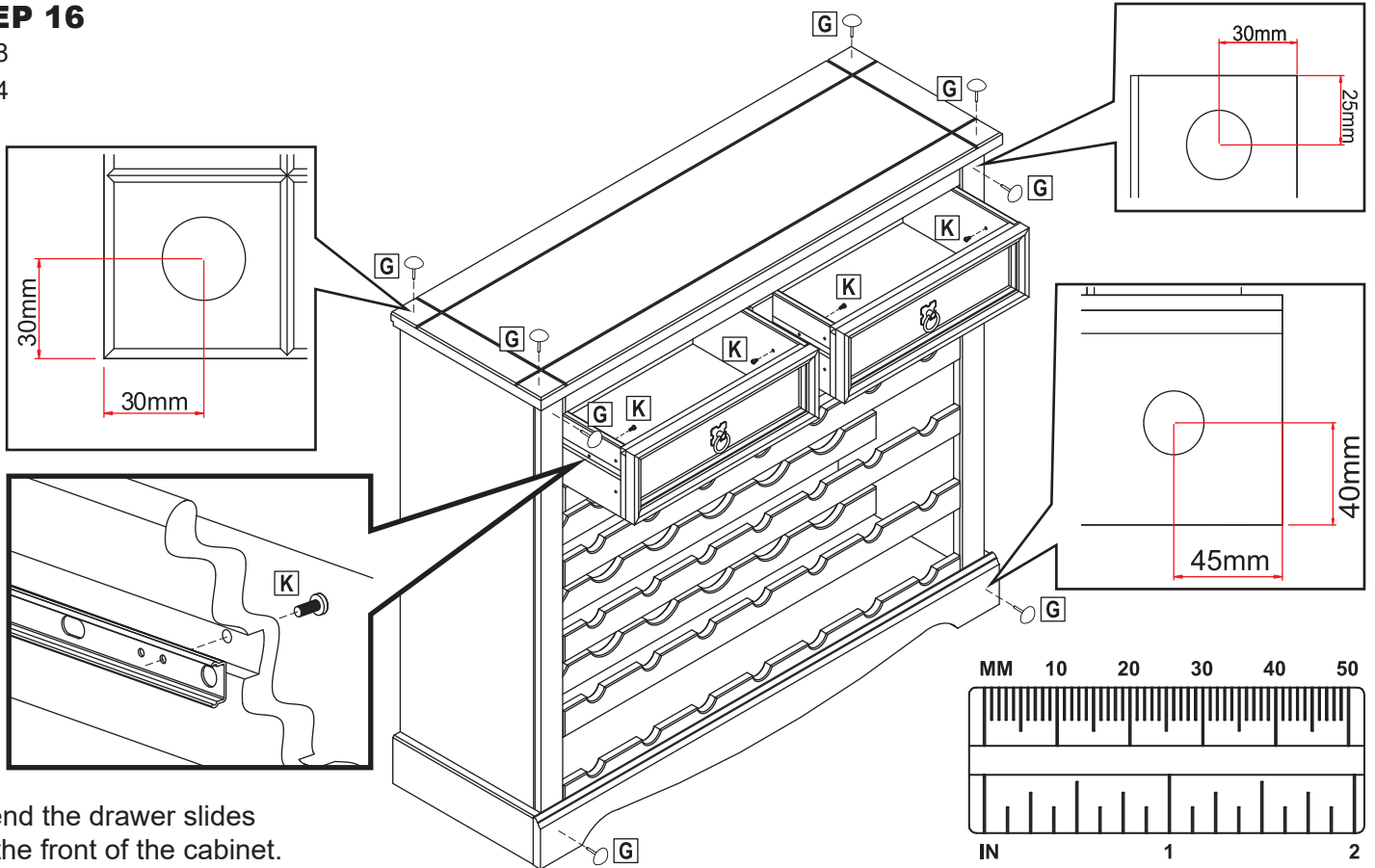
Ensuring the handle and handle plate remain straight, install one Handle Set (D) onto the drawer face, as shown.

Repeat this step to assemble the remaining drawer.

STEP 16

G: 8

K: 4



Extend the drawer slides out the front of the cabinet.

Align the first small hole on the drawer slides with the pre-drilled hole on the front of the drawer sides.

From the inside of the drawer, secure the drawer to the slides using M4x8mm Bolts (K), as shown.

NOTE: The drawer sides have a second pre-drilled hole toward the back of the drawer, this hole is a result of the manufacturing process and is not intended for securing the drawer to the slide.

For even spacing, carefully measure and install eight Tacks (G) as indicated above.

●●●● **HELPFUL MEASURING HACK** ●●●●

To help ensure tacks are evenly spaced, we developed a hack to make this step easier. Grab a blank white piece of paper or tracing paper, a writing utensil, a ruler and scissors.

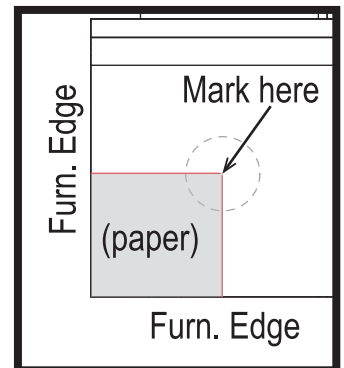
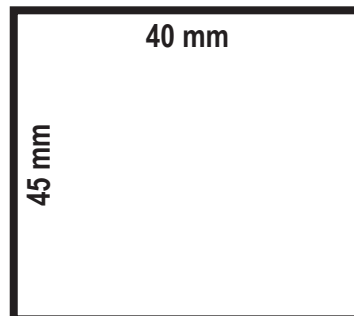
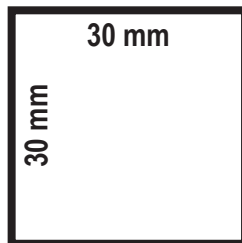
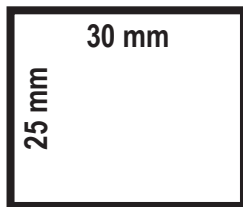
The blocks below are sized to the dimensions noted in the above diagrams.

Place the blank piece of paper over the blocks below. Use a writing utensil to mark the corner of each block. Use a ruler to connect the dots of each block. Write the size inside the block and cut them out.

Align the cutout with the designated corner (shown above).

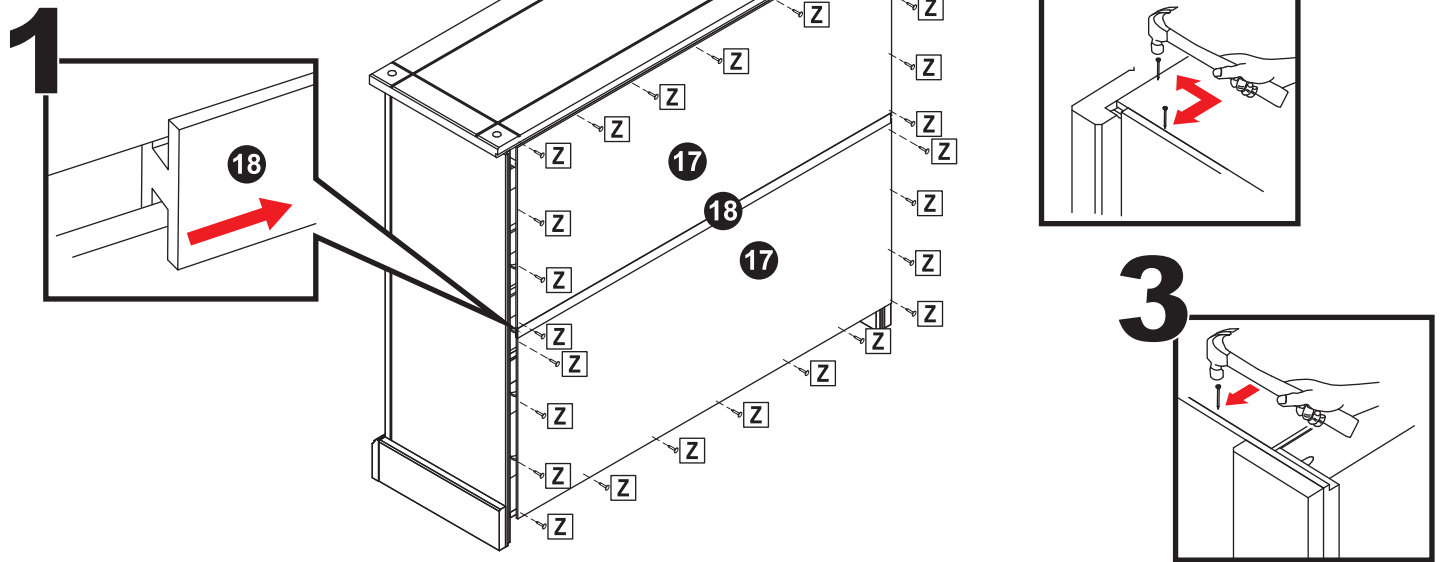
Use the sharp end of one of the tacks to make a small indent at inside corner of cutout.

After tack placement has been marked, install tacks using a rubber mallet.



STEP 17

17: 2
18: 1
Z: 26



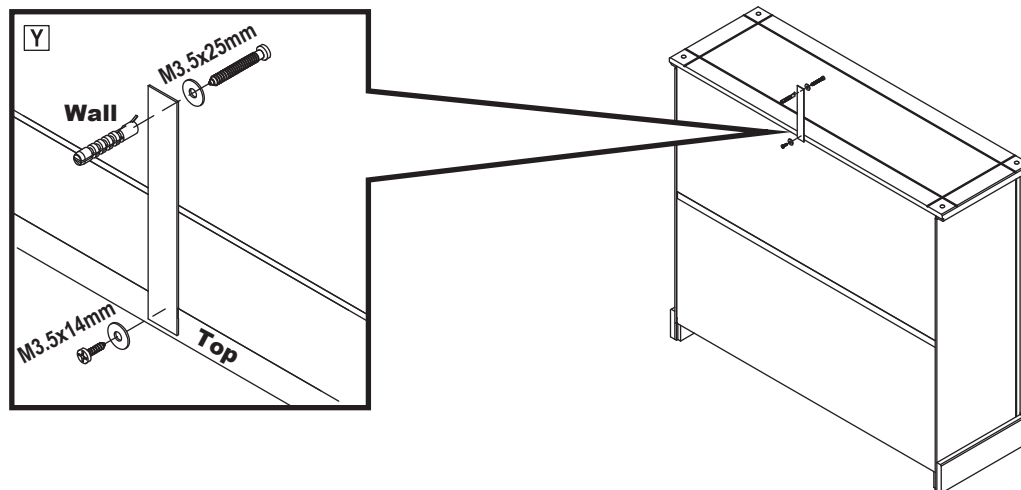
Gently lay the unit face-down on a soft, clean surface.

Place two Backing Boards (17) on the back of the unit and slide Divider (18) between them.

Ensure the backing boards are snug within the lips of the top and side panels. Then, secure the backing board using twenty-six 8x8mm Nails (Z).

STEP 18

Y: 1



WARNING: Check for pipes and electrical wiring before drilling.

IMPORTANT: If walls are not solid like brick, stone or concrete, you will require special fittings (not included). When in doubt, consult a professional.

Carefully measure the location of pilot hole before drilling and installing the unit.

- Place wall mounting strap against the wall and mark the position for drilling the hole.
- Using a power drill with a 6mm bit, drill a hole to 30mm depth. If the wall is softer, using a 5mm bit is recommended.
- Insert the wall anchor into the hole until the opening is flush with the wall.
- Secure the strap to the wall using the 25mm screw and washer.
- Use a 2mm drill bit to drill a small pilot hole on the back of the furniture top. Secure the other end of the strap to the furniture using the 14mm screw and washer.

SAFETY STATEMENTS & WARNINGS

- Residential use only. Not for commercial or industrial use.
- For indoor use only.
- Ensure fittings are tight before use. Periodically check fitting to ensure they are tight.
- Only use this unit on a flat, level surface.
- Do not sit, stand or climb on the unit.
- Supervise children; never allow children to climb or sit on this unit as it may tip over and cause serious injury.
- Do not place liquids or hot items directly on the furniture.
- Never use chemical cleaning products or polishes as they may damage the finish.
- Do not exceed the weight capacity of the furniture.
- Do not overload the drawers as doing so may cause damage.
- Do not place the unit in direct sunlight.
- Avoid placing unit near heating or cooling vents as forced air is very drying and can damage the unit.
- Do not write on furniture without a padded barrier to protect the surface.

Any modification to the product or failure to follow recommended care will void the product warranty.

If you experience issues with assembly or the product was damaged during shipping, please contact our customer service team directly through one of the methods mentioned at the top of page 1. Please have the item number and order information ready to expedite response time.

NOTICE:

Manufacturer and seller expressly disclaim any and all liability from personal injury, property damage or loss, whether direct or indirect, or incidental, resulting from the incorrect attachment, improper use, inadequate maintenance, or neglect of this product.