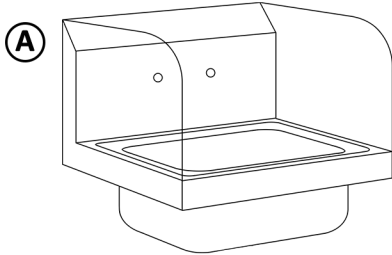


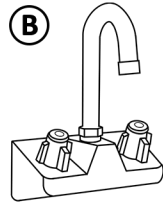
# Wall-Mount Hand Sink

## Includes:

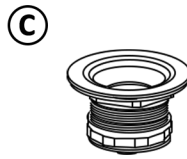
1 HAND SINK



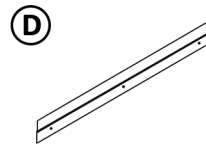
1 FAUCET



1 DRAIN BASKET AND STRAINER

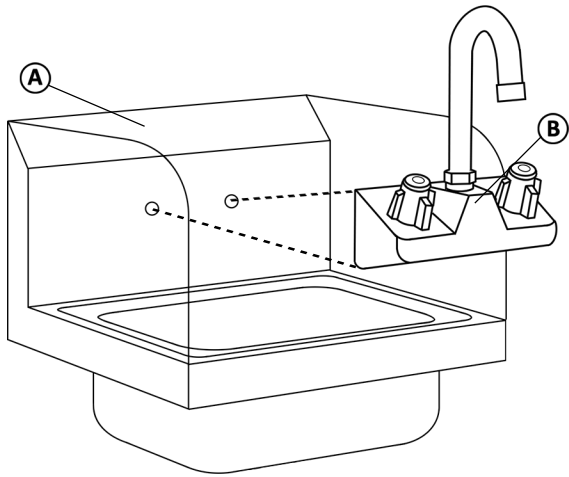


1 WALL MOUNT CLIP

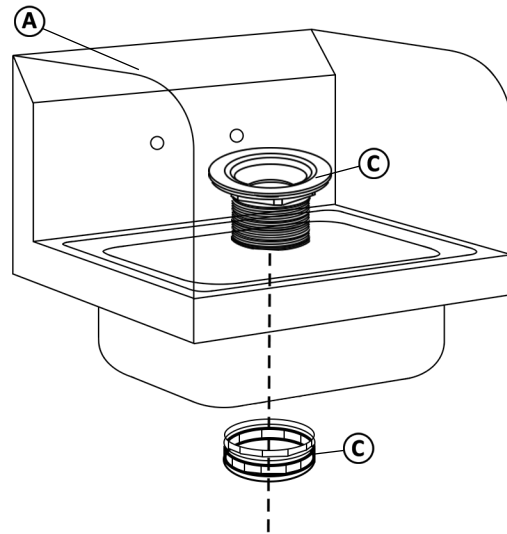


## Installation Instructions:

1) Install FAUCET (B) on HAND SINK (A)



2) Install Drain with plumbers putty on top and the rubber washer & locknut below. Make sure top of drain is below surface to allow proper drainage.



3) Hang HAND SINK (A) on WALL BRACKET (D)

