



AmgoodSupply

Thank you for purchasing our product!

Issues with your order? Give us a chance to make things right.
Do not return this item back to the store. Contact our friendly customer service department with any problems, comments or concerns.
Replacements for missing or damaged parts are shipped within 1 business day.

Email: **Support@AmGoodSupply.com**

Please check out our other products

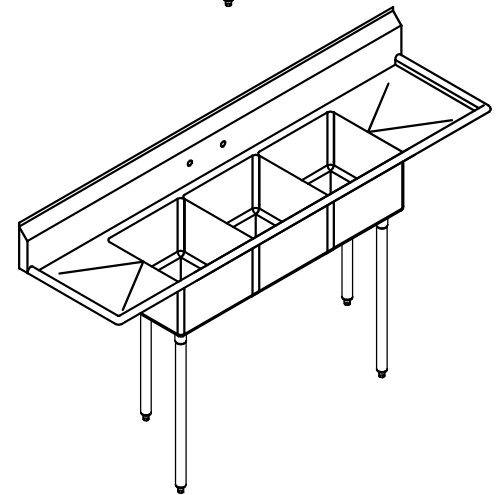
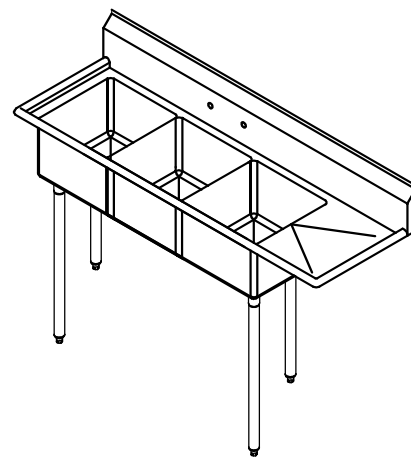
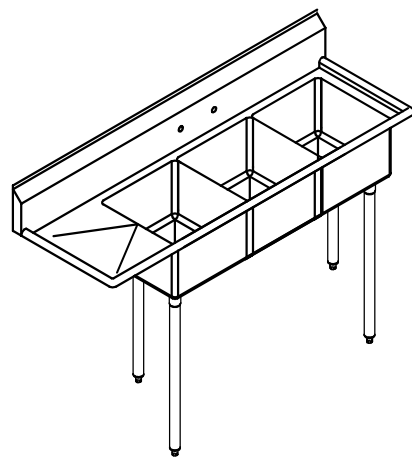
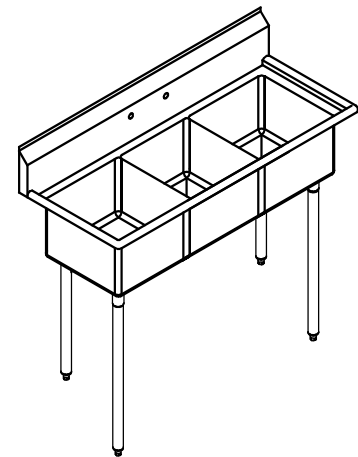
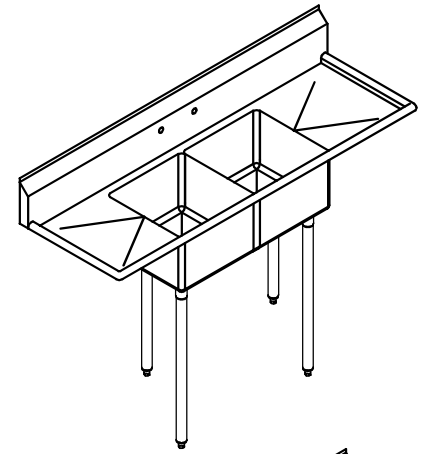
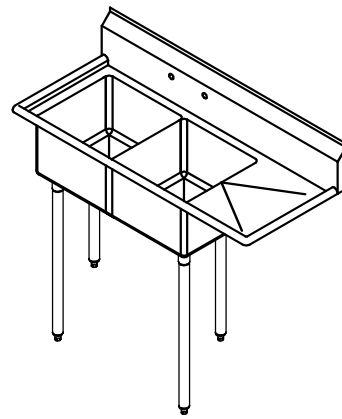
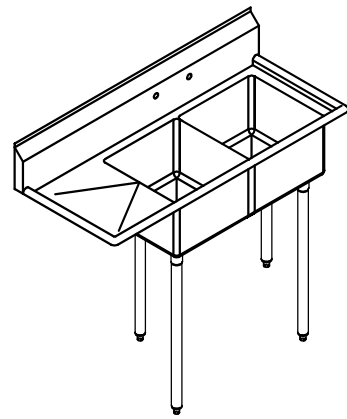
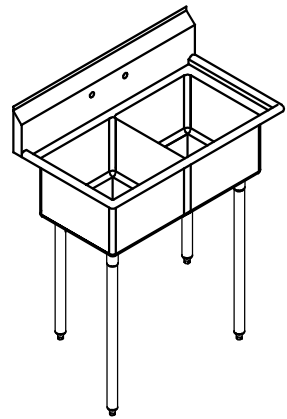
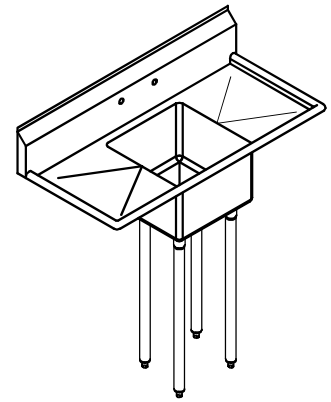
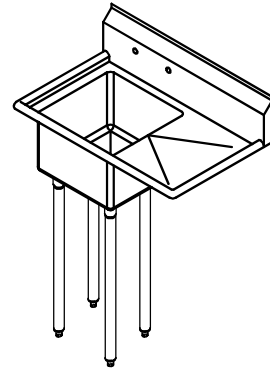
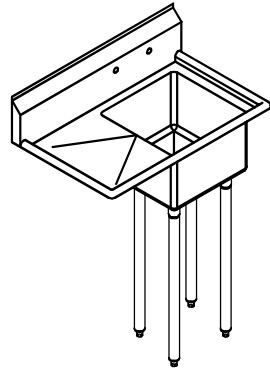
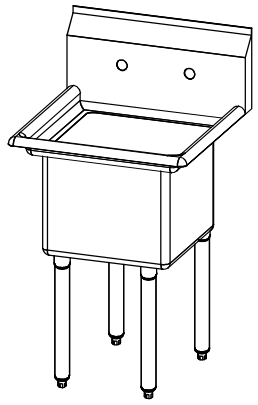
Stainless Steel Work Tables
Equipment Stands
Stainless Steel Shelves
Commercial & Utility Sinks
Bakery Racks
Hood Filters
Storage Shelving
Utility Carts
Dunnage Rack
Commercial Floor Strainers
Grease Traps





AmGood Supply is a leading manufacturer and distributor of stainless steel and metal products for commercial and residential applications.

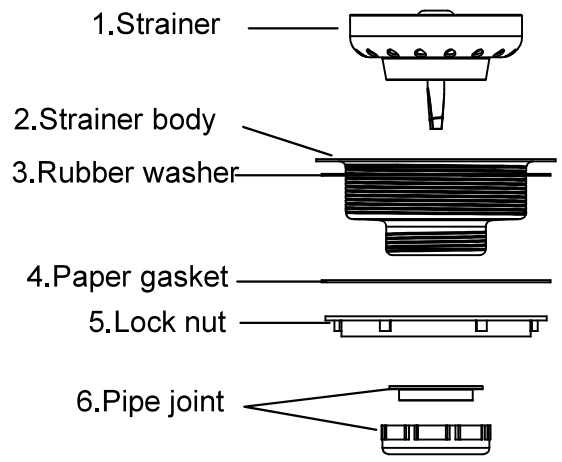
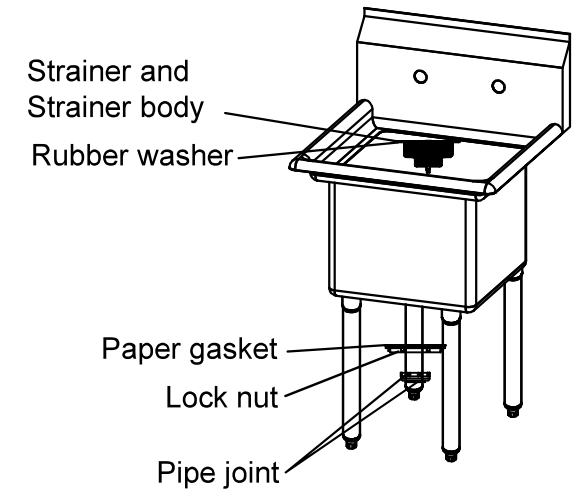
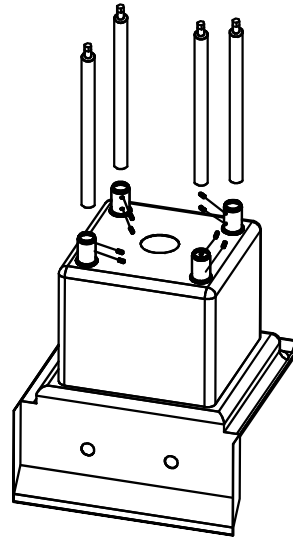
Our customers include homeowners, restaurants, retail and manufacturing businesses, non-profits, as well as state, local, and federal government agencies.

WWW.AMGOODSUPPLY.COM

Compartment Sink Assembly Instruction



Accessories			
NO.	Pattern	Part Name	Quantity
①		Leg	4
②		Drain Basket	Same as tub quantities
②		M8*1*10 Screw	9
②		S4 Screw wrench	1



Turn Compartment sink upside down onto the floor, place the carton top underneath for padding to avoid scratching, Insert four legs into the leg sockets, then partially fasten the allen screws

Stand up the compartment sink

Put the rubber washer under the strainer body, insert them inside of the sink drain hole

Under the sink bowl, connect the paper gasket and lock nut to the strainer body in turn and tighten

After you purchased the drain pipe, connect it with strainer body under the sink bowl by using pipe joint