

HEATFAST®

CONVECTION CONSTRUCTION HEATER

MODEL: HF80C/HF200C



WARNING: If the information in this manual is not followed exactly, a fire or explosion may result causing property damage, personal injury or loss of life.

- Do not store or use gasoline or other flammable vapors and liquids in vicinity of this or any other appliance.
- An LP cylinder not connected for use shall not be stored in the vicinity of this or any other appliance.

WHAT TO DO IF YOU SMELL GAS:

- Do not try to light appliance.
- Extinguish any open flame.
- Shut off gas to appliance.

Service must be performed by a qualified service agency.

READ INSTRUCTIONS CAREFULLY: Read and follow all instructions. Place instructions in a safe place for future reference. Do not allow anyone who has not read these instructions to assemble, light, adjust or operate the heater.

This is an unvented gas-fired portable heater. It uses air (oxygen) from the area in which it is used. Adequate combustion and ventilation air must be provided.

**UNITED STATES
STOVE CO.**

EST[®] 1869

United States Stove Company
227 Industrial Park Road, South Pittsburg, TN
PH: (800) 750-2723
www.usstove.com

854015B-2502M

GENERAL SAFETY INFORMATION



WARNING:

YOUR SAFETY IS IMPORTANT TO YOU AND TO OTHERS, SO PLEASE READ THESE INSTRUCTIONS BEFORE YOU OPERATE THIS HEATER.



GENERAL HAZARD WARNING:

FAILURE TO COMPLY WITH THE PRECAUTIONS AND INSTRUCTIONS PROVIDED WITH THIS HEATER, CAN RESULT IN DEATH, SERIOUS BODILY INJURY AND PROPERTY LOSS OR DAMAGE FROM HAZARDS OF FIRE, EXPLOSION, BURN, ASPHYXIATION, CARBON MONOXIDE POISONING, AND/OR ELECTRICAL SHOCK.

ONLY PERSONS WHO CAN UNDERSTAND AND FOLLOW THE INSTRUCTIONS SHOULD USE OR SERVICE THIS HEATER. IF YOU NEED ASSISTANCE OR HEATER INFORMATION SUCH AS AN INSTRUCTIONS MANUAL, LABELS, ETC. CONTACT THE MANUFACTURER.



WARNING:

NOT FOR HOME OR RECREATIONAL VEHICLE USE.



WARNING:

FIRE, BURN, INHALATION, AND EXPLOSION HAZARD. KEEP SOLID COMBUSTIBLES, SUCH AS BUILDING MATERIALS, PAPER OR CARDBOARD, A SAFE DISTANCE AWAY FROM THE HEATER AS RECOMMENDED BY THE INSTRUCTIONS NEVER USE THE HEATER IN SPACES WHICH DO OR MAY CONTAIN VOLATILE OR AIRBORNE COMBUSTIBLES, OR PRODUCTS SUCH AS GASOLINE, SOLVENTS, PAINT THINNER, DUST PARTICLES OR UNKNOWN CHEMICALS.



WARNING:

THE STATE OF CALIFORNIA REQUIRES THE FOLLOWING WARNING

COMBUSTION BY-PRODUCTS PRODUCED WHEN USING THIS PRODUCT CONTAIN CARBON MONOXIDE, A CHEMICAL KNOWN TO THE STATE OF CALIFORNIA TO CAUSE CANCER AND BIRTH DEFECTS (OR OTHER REPRODUCTIVE HARM). THIS PRODUCT CONTAINS CHEMICALS KNOWN TO THE STATE OF CALIFORNIA TO CAUSE CANCER AND BIRTH DEFECTS OR OTHER REPRODUCTIVE HARM.



**WARNING: Never leave the heater unattended while operating.
Disconnect the heater from its power source when not in use.**

FEATURES AND SPECIFICATIONS

MAX SUPPLY PRESSURE:	HF80C	HF200C
To Regulator MIN (MAX=Bottle Pressure)	5PSI (34.5 kPa)	15PSI (103 kPa)
Regulator Out	11" W.C. (2.74 kPa)	10PSI (68.9 kPa)
Ignition	Piezo	Piezo
Min Ambient Temp.	0° F (17.8) ° C	0° F (17.8) ° C
BTU Rating Low-High	30,000-80,000 BTU/HR (8.8-23.4 kW)	75,000-200,000 BTU/HR (22-58.6 kW)
Fuel Consumption	1.4-3.7 LBS/HR (.74-1.8 kg/HR)	3.5-9.3 LBS/HR (1.44-4.32 kg/HR)
Hose Length	15' (456 cm)	15' (456 cm)
VENTILATION:		
Minimum openings required	2ft ² Opening near floor	2ft ² Opening near floor
	2ft ² Opening near ceiling	2ft ² Opening near ceiling

 **WARNING: FAILURE TO FOLLOW THESE VENTILATION REQUIREMENTS MAY RESULT IN SOOTING DAMAGE.**

RETAIN THIS MANUAL FOR FUTURE REFERENCE

GENERAL INFORMATION

OPERATING PRECAUTIONS

This is a propane, direct-fired, convection heater. It's intended use is primarily temporary heating of buildings under construction, alteration or repair. Propane is heavier than air. If propane leaks from a connection or fitting, it sinks to the floor, collecting there with the surrounding air, forming a potentially explosive mixture. Obviously, propane leaks should be avoided, so set up the propane supply with utmost care. Leak check new connections or reconnection with a soap and water solution and follow all connection instructions herein. Also, ask your propane dealer for advice on the propane application and supply installation and ask him to check it if there are any questions. This heater was designed and certified for use as a construction heater in accordance with ANSI Standard ANSI Z83.7-2017 CSA 2.14-2017. Check with your local fire safety authority if you have any questions about your applications. Other standards govern the use of fuel gases and heat producing products in specific applications.

Your local authority can advise you about these. Direct-Fired means that all of the combustion products enter the heated space. Even though this heater operates very close to 100 percent combustion efficiency, it still produces small amounts of carbon monoxide. Carbon monoxide (called CO) is toxic. We can tolerate small amounts but not a lot. CO can build up in a heated space and failure to provide adequate ventilation could result in death. The symptoms of inadequate ventilation are:

- headache
- dizziness
- burning eyes and nose
- nausea
- dry mouth or sore throat

So, be sure to follow advice about ventilation in these operating instructions. When the heater is to be operated in the presence of other people the user is responsible for properly acquainting those present with the safety precautions and instructions, and of the hazards involved.



**WARNING: Never leave the heater unattended while operating.
Disconnect the heater from its power source when not in use.**

GENERAL INFORMATION

SAFETY PRECAUTIONS

1. Check the heater thoroughly for damage. DO NOT operate a damaged heater.
2. DO NOT modify the heater or operate a heater which has been modified from its original condition.
3. DO NOT light or operate heater unless the shells are fully extended and locked into position.
4. Use only propane gas.
5. Use only VAPOR WITHDRAWAL propane supply. If there is any question about vapor withdrawal, ask your propane dealer.
6. Mount the propane cylinders vertically (shutoff valve up). Secure them from falling or being knocked over and protect them from damage.
7. Locate propane containers at least (USA) 7 ft. (2.13m) from the heater and do not direct exhaust toward containers.
8. IMPORTANT Use only the hose and regulator assembly provided with the heater. Match the color stripe on the hang tag attached to the hose assembly with the color on the label located near the propane inlet fitting on the heater. Inspect hose assembly before each use of the heater. If there is excessive abrasion or wear, or hose is cut, replace with hose assembly listed on parts list before using heater.
9. For indoor use only. Area must be well ventilated. (Also see "Operating Precautions").
10. If at any time gas odor is detected, IMMEDIATELY DISCONTINUE operation until the source of gas has been located and corrected.
11. Install the heater such that it is not directly exposed to water spray, rain and/or dripping water.
12. Maintain minimum clearance from normal combustibile material (like paper).
13. Due to the high surface and exhaust temperatures, adults and children must observe clearances to avoid burns or clothing ignition.
14. Operate only on a stable, level surface.
15. Do not use with duct work. Do not restrict inlet or exit.
16. Do not move, handle or service while hot or burning.
17. Use only in accordance with local codes or, in the absence of local codes, with the Standard for the Storage and Handling of Liquefied Petroleum Gases ANSI/ NFPA 58 and CSA B149.1, Natural Gas and Propane Installation Code.

MINIMUM CLEARANCE	
From normal combustibile material	
Clearance	
From sides	4 ft
From top	6 ft
Locate 10' from canvas or plastic tarpaulins or similar coverings and secure them to prevent flapping or movement due to wind action.	



**WARNING: Never leave the heater unattended while operating.
Disconnect the heater from its power source when not in use.**

GENERAL INFORMATION

ODOR FADE WARNING



WARNING ASPHYXIATION HAZARD

- DO NOT USE THIS HEATER FOR HEATING HUMAN LIVING QUARTERS.
- DO NOT USE IN UNVENTILATED AREAS.
- THE FLOW OF COMBUSTION AND VENTILATION AIR MUST NOT BE OBSTRUCTED.
- PROPER VENTILATION AIR MUST BE PROVIDED TO SUPPORT THE COMBUSTION AIR REQUIREMENTS OF THE HEATER BEING USED.
- REFER TO THE SPECIFICATION SECTION OF THE HEATER'S MANUAL, HEATER DATA PLATE, OR CONTACT THE FACTORY TO DETERMINE COMBUSTION AIR VENTILATION REQUIREMENTS OF THE HEATER.
- LACK OF PROPER VENTILATION AIR WILL LEAD TO IMPROPER COMBUSTION.
- IMPROPER COMBUSTION CAN LEAD TO CARBON MONOXIDE POISONING LEADING TO SERIOUS INJURY OR DEATH. SYMPTOM OF CARBON MONOXIDE POISONING CAN INCLUDE HEADACHES DIZZINESS AND DIFFICULTY IN BREATHING.



WARNING AIR QUALITY HAZARD

- USE OF DIRECT-FIRED HEATERS IN THE CONSTRUCTION ENVIRONMENT CAN RESULT IN EXPOSURE TO LEVELS OF CO, CO₂, AND NO₂ CONSIDERED TO BE HAZARDOUS TO HEALTH AND POTENTIALLY LIFE THREATENING.
- KNOW THE SIGNS OF CO AND CO₂ POISONING
 - HEADACHES, STINGING EYES
 - DIZZINESS, DISORIENTATION
 - DIFFICULTY BREATHING, FEELS OF BEING SUFFOCATED
- PROPER VENTILATION AIR EXCHANGE (OSHA 29 CFR 1926.57) TO SUPPORT COMBUSTION AND MAINTAIN ACCEPTABLE AIR QUALITY SHALL BE PROVIDED IN ACCORDANCE WITH OSHA 29 CFR PART 1926.154, ANSI A10.10 SAFETY REQUIREMENTS FOR TEMPORARY AND PORTABLE SPACE HEATING DEVICES AND EQUIPMENT USED IN THE CONSTRUCTION INDUSTRY OR THE NATURAL GAS AND PROPANE INSTALLATION CODES CSA B149.1
- PERIODICALLY MONITOR LEVELS OF CO, CO₂ AND NO₂ EXISTING AT THE CONSTRUCTION SITE - AT THE MINIMUM AT THE START OF THE SHIFT AND AFTER 4 HOURS.
- PROVIDE VENTILATION AIR EXCHANGE, EITHER NATURAL OR MECHANICAL, AS REQUIRED TO MAINTAIN ACCEPTABLE INDOOR AIR QUALITY



**WARNING: Never leave the heater unattended while operating.
Disconnect the heater from its power source when not in use.**

GENERAL INFORMATION

	USA 8-Hr Time weighted average (OSHA 29 CFR 1926.55 App A)	Canada 8-hr time weighted average WorkSafe BC OHS Guidelines Part 5.1 and Ontario Workplaces Reg 833
CO	50 ppm	25 ppm
CO ₂	5000 ppm	5000 ppm
NO ₂		3 ppm (Reg 833)
	USA - Ceiling Limit (Short Term Exposure Limit = 15 minutes)	Canada STEL (15 minutes Reg 833/1 hour WSBC) WorkSafe BC OHS Guidelines Part 5.1 and Ontario Workplaces Reg 833
CO		100 ppm
CO ₂		15000 ppm (WSBC) 30000 ppm (Reg 833)
NO ₂	5 ppm	1.0 ppm (WorkSafeBC) 5.0 ppm (Reg 833)

- Ensure that the flow of combustion and ventilation air exchange cannot become obstructed.
- As the building 'tightens up' during the construction phases ventilation may need to be increased.

FUEL GAS ODOR

LP gas and natural gas have man-made odorants added specifically for detection of fuel gas leaks. If a gas leak occurs you should be able to smell the fuel gas. Since Propane (LP) is heavier than air you should smell for the gas odor low to the floor. ANY GAS ODOR IS YOUR SIGNAL TO GO INTO IMMEDIATE ACTION!

- Do not take any action that could ignite the fuel gas. Do not operate any electrical switches. Do not pull any power supply or extension cords. Do not light matches or any other source of flame. Do not use your telephone.
- Get everyone out of the building and away from the area immediately.
- Close all propane (LP) gas tank or cylinder fuel supply valves, or the main fuel supply valve located at the meter if you use natural gas.
- Propane (LP) gas is heavier than air and may settle in low areas. When you have reason to suspect a propane leak, keep out of all low areas.
- Use your neighbor's phone and call your fuel gas supplier and your fire department. Do not re-enter the building or area.
- Stay out of the building and away from the area until declared safe by the firefighters and your fuel gas supplier.
- FINALLY, let the fuel gas service person and the firefighters check for escaped gas. Have them air out the building and area before you return. Properly trained service people must repair any leaks, check for further leakages, and then relight the appliance for you.

ODOR FADING - NO ODOR DETECTED

- Some people cannot smell well. Some people cannot smell the odor of the man-made chemical added to propane (LP) or natural gas. You must determine if you can smell the odorant in these fuel gases.
- Learn to recognize the odor of propane (LP) gas and natural gas. Local propane (LP) gas dealers will be more than happy to give you a scratch and sniff pamphlet. Use it to become familiar with the fuel gas odor.
- Smoking can decrease your ability to smell. Being around an odor for a period of time can affect your sensitivity to that particular odor. Odors present in animal confinement buildings can mask fuel gas odor.
- The odorant in propane (LP) gas and natural gas is colorless and the intensity of its odor can fade under some circumstances.
- If there is an underground leak, the movement of gas through the soil can filter the odorant.
- Propane (LP) gas odor may differ in intensity at different levels. Since Propane (LP) gas is heavier than air, there may be more odor at lower levels.



**WARNING: Never leave the heater unattended while operating.
Disconnect the heater from its power source when not in use.**

GENERAL INFORMATION

- Always be sensitive to the slightest gas odor. If you continue to detect any gas odor, no matter how small, treat it as a serious leak. Immediately go into action as discussed previously.

ATTENTION - CRITICAL POINTS TO REMEMBER!

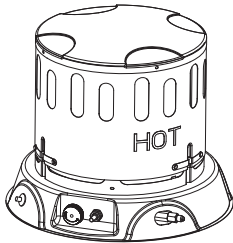
- Propane (LP) gas has a distinctive odor. Learn to recognize these odors. (Reference Fuel Gas Odor and Odor Fading sections above.)
- Even If you are not properly trained in the service and repair of the heater, ALWAYS be consciously aware of the odors of propane (LP) gas and natural gas.
- If you have not been properly trained in repair and service of propane (LP) gas then do not attempt to light heater, perform service or repairs, or make any adjustments to the heater on the propane (LP) gas fuel system.
- A periodic sniff test around the heater or at the heater's joints; i.e. hose, connections, etc., is a good safety practice under any conditions. If you smell even a small amount of gas, CONTACT YOUR FUEL GAS SUPPLIER IMMEDIATELY. DO NOT WAIT!

ASSEMBLY

CAUTION: NEVER IGNITE AND / OR RUN THIS HEATER UNLESS THE SHELLS ARE FULLY EXTENDED AND LOCKED INTO POSITION.

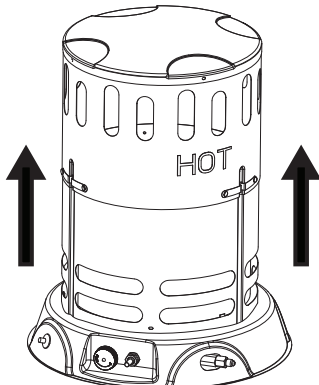
STEP 1

Remove heater from packaging. To protect your hands, put on gloves before lifting the outer shell. Never grasp bare metal without gloves.



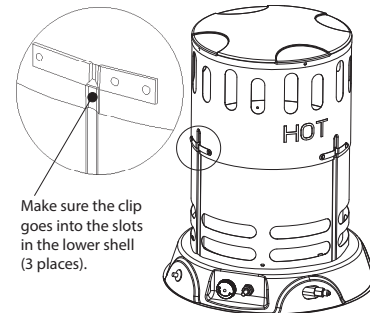
STEP 2

Lift outer shell straight up. Care must be taken to protect hands during lift.



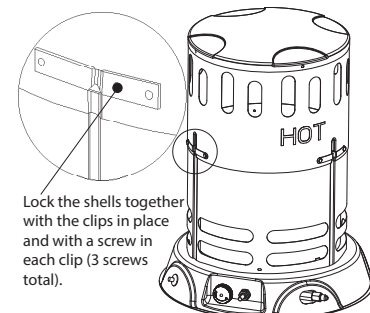
STEP 3

Lift outer shell until all three clips engage slots located in the lower shell. When this happens, the screw holes will line up.



STEP 4

Lock the clip into place with 3 screws as shown. The heater must not be operated unless the outer shell is properly extended and fully locked into place.



**WARNING: Never leave the heater unattended while operating.
Disconnect the heater from its power source when not in use.**

OPERATING INSTRUCTIONS

PREPARING FOR OPERATION

1. Extend the shell fully and lock into place as shown in the enclosed instructions sheet before lighting or operating the heater.
2. Check the heater for possible shipping damage. If any is found, immediately notify the factory.
3. Follow all of the safety and operating precautions.
4. Connect the POL fitting of hose and regulator assembly to the propane cylinder by rotating the POL nut counterclockwise into the propane cylinder's valve outlet and securely tighten with a wrench.
5. Connect the hose to the heater.
6. Securely tighten all gas connections.
7. Open the cylinder's gas valve and check all gas connections with a soap and water solution. **DO NOT USE A FLAME.**

STARTING THE HF80C

1. **WARNING: BEFORE LIGHTING PILOT**, turn main burner valve (turn knob fully clockwise) to low/light position.
2. Fully open the valve on the propane cylinder and wait 15 seconds before Step 3.
3. Push knob in and hold for 5 seconds, allowing gas to emit from burner orifice.
4. Rotate the knob counterclockwise until the piezo igniter clicks. Continue to rotate and activate the igniter until the burner lights.
5. Once the burner lights hold the knob in, on the low position for 30 seconds. Then release. The burner should stay lit. If it does not repeat steps 4 & 5 until the burner stays lit.
6. Turn main burner valve to regulate heat output.

STARTING THE HF200C

1. **WARNING: BEFORE LIGHTING PILOT**, turn main burner valve (turn knob fully clockwise) to low/light position.
2. Fully open the valve on the propane cylinder and wait 15 seconds before Step 3.
3. Depress red button on safety pilot valve (to the right of the variable valve knob) admitting gas to the pilot. Then push and release the ignition button (red button to the right of the variable valve knob) until the pilot lights.
4. When the pilot lights, continue to hold the button depressed for 30 seconds, then release to light main burner.
5. If pilot goes out, wait 5 minutes and repeat the lighting procedure.
6. Turn main burner valve to regulate heat output.

STOP (ALL UNITS)

1. Securely close valve on the propane cylinder.
2. Continue to operate heater until all fuel in the hose has burned.
3. Turn main burner valve to lo/light position.

RESTART AFTER SAFETY SHUTDOWN

1. Securely close valve at propane cylinder.
2. Wait 5 minutes.
3. Restart following "Start" procedure for your model.



**WARNING: Never leave the heater unattended while operating.
Disconnect the heater from its power source when not in use.**

MAINTENANCE & STORAGE

1. The heater should be inspected before each use, and at least annually by a qualified person.
2. Before each use, check the soft “O” ring seat at the bullnose of the POL fitting. If the “O” ring is cut, scuffed, or otherwise damaged, replace it.
3. Turn off the gas at the LP-gas supply cylinder(s) when the heater is not in use.
4. When the heater is to be stored indoors, the connection between the LP-gas supply cylinder(s) and the heater must be disconnected and the cylinder(s) removed from the heater and stored out of doors and in accordance with Chapter 5 of the standard for Storage and Handling of Liquefied Petroleum Gases ANSI/NFPA 58 and CSA B149.1, Natural Gas and Propane Installation Code.

SERVICING

A hazardous condition may result if a heater is used that has been modified or is not functioning properly. When the heater is working properly:

- The flame is contained within the heater.
- The flame is essentially yellow with some blue at the base of the flame adjacent to the burner.
- There is no strong disagreeable odor, eye burning or other physical discomfort.
- There is no smoke or soot internal or external to the heater.
- There are no unplanned or unexplained shut downs of the heater.

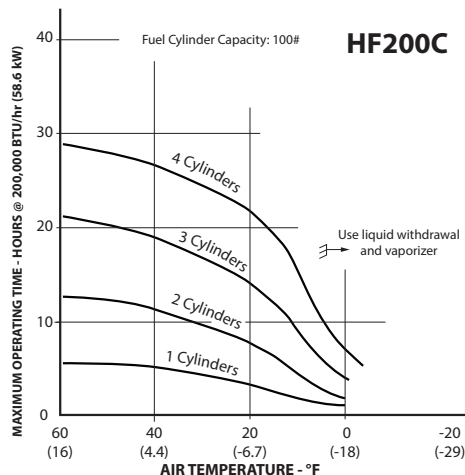
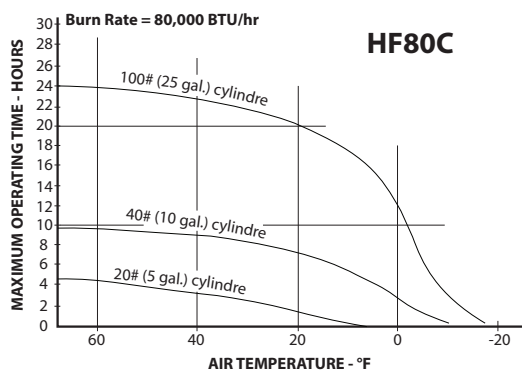
The parts lists and exploded view show the heater as it was constructed. Do not use a heater which is different from that shown. In this regard, use only the hose, regulator and cylinder connection fitting (called a POL fitting) supplied with the heater. **IMPORTANT** Match the color stripe on the hang tag attached to the hose assembly with the color on the label located near the propane inlet fitting on the heater. Do not use alternates. For this heater, the regulator must be set as shown in “specifications”. If there is any uncertainty about the regulator setting, have it checked. A heater which is not working right must be repaired, but only by a trained, experienced service person. In-warranty products will be repaired with no charge for either parts or labor. Please include a brief statement indicating date, place of purchase, the nature of the problem and proof of purchase. Out-of-warranty products will be repaired with a charge for parts and labor.

SIZE AND CAPACITY OF PROPANE CYLINDERS REQUIRED

The following charts show the approximate size of the cylinder required for these heaters. To use the chart:

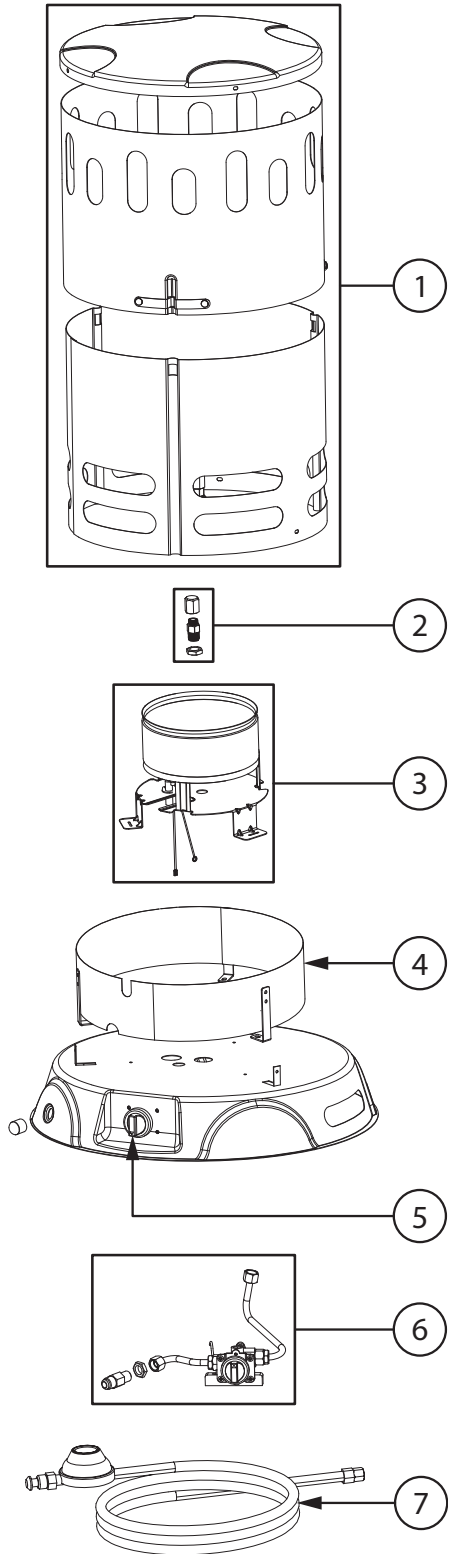
1. Select the lowest air temperature expected (at the bottom of the chart).
2. Move straight up to time of operation desired (left side of chart).
3. Read the cylinder size required.

All heaters should have: Full cylinders good air circulation no frost on cylinders



**WARNING: Never leave the heater unattended while operating.
Disconnect the heater from its power source when not in use.**

HF80C PARTS LIST



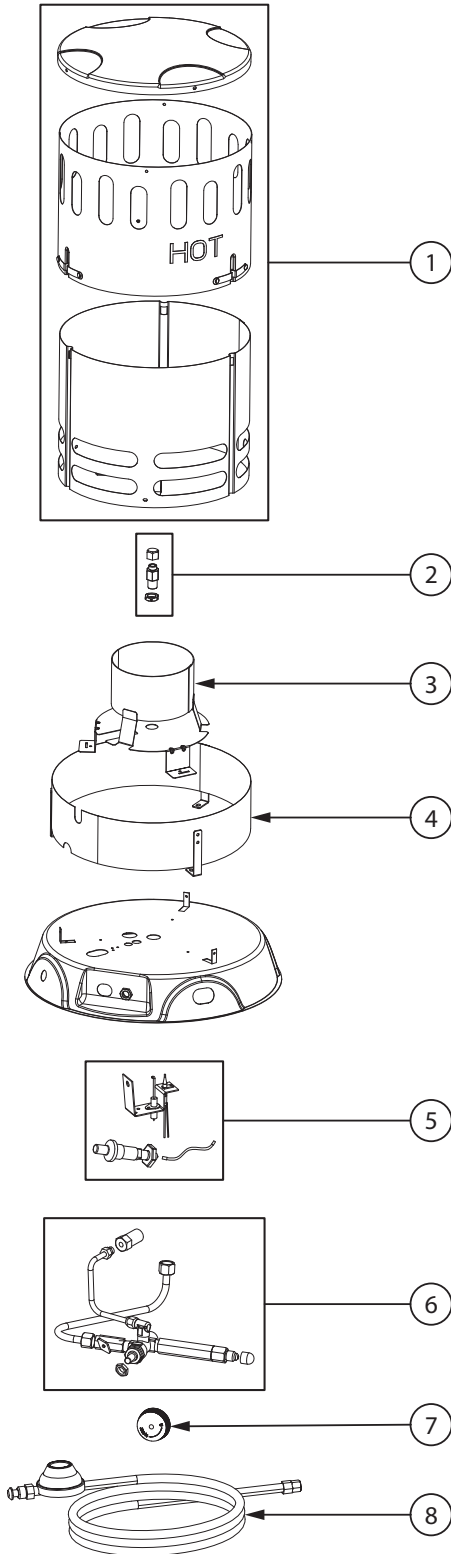
Key	Part #	Description	Qty
1	893993	Combustion Chamber Assembly	1
2	81378	Burner Orifice Assembly	1
3	893994	Burner Cone Assembly	1
4	893998	Combustion Chamber Ring	1
5	893991	Control Knob	1
6	81380	Valve and Gas Assembly	1
7	81376	Hose & Regulator Assembly 10'	1

IN ORDER TO MAINTAIN WARRANTY, COMPONENTS MUST BE REPLACED USING ORIGINAL MANUFACTURERS PARTS PURCHASED THROUGH YOUR DEALER OR DIRECTLY FROM THE APPLIANCE MANUFACTURER. USE OF THIRD PARTY COMPONENTS WILL VOID THE WARRANTY.



**WARNING: Never leave the heater unattended while operating.
Disconnect the heater from its power source when not in use.**

HF200C PARTS LIST



Key	Part #	Description	Qty
1	893996	Combustion Chamber Assembly	1
2	81379	Burner Orifice Assembly	1
3	893997	Burner Cone	1
4	893998	Combustion Chamber Ring	1
5	81382	Ignitor/Piezo Assembly	1
6	81381	Valve and Gas Assembly	1
7	893992	Control Knob	1
8	81377	Hose & Regulator Assembly 10'	1

IN ORDER TO MAINTAIN WARRANTY, COMPONENTS MUST BE REPLACED USING ORIGINAL MANUFACTURERS PARTS PURCHASED THROUGH YOUR DEALER OR DIRECTLY FROM THE APPLIANCE MANUFACTURER. USE OF THIRD PARTY COMPONENTS WILL VOID THE WARRANTY.



**WARNING: Never leave the heater unattended while operating.
Disconnect the heater from its power source when not in use.**

SERVICE RECORD

It is recommended that this unit is serviced regularly and that the appropriate Service Interval Record is completed.

Service Provider:

Before completing the appropriate Service Record below, please ensure you have carried out the service as described in the manufacturer's instructions. Always use the manufacturer's specified spare part when replacement is necessary.

Service 01	Date: _____
Engineer Name: _____	
License No.: _____	
Company: _____	
Telephone No.: _____	
Unit Inspected: <input type="checkbox"/> Check Integrity Of Orifice And Gas Ports <input type="checkbox"/> Check Gas Lines For Wear Or Leaks	
Items Replaced: _____	

Service 02	Date: _____
Engineer Name: _____	
License No.: _____	
Company: _____	
Telephone No.: _____	
Unit Inspected: <input type="checkbox"/> Check Integrity Of Orifice And Gas Ports <input type="checkbox"/> Check Gas Lines For Wear Or Leaks	
Items Replaced: _____	

Service 03	Date: _____
Engineer Name: _____	
License No.: _____	
Company: _____	
Telephone No.: _____	
Unit Inspected: <input type="checkbox"/> Check Integrity Of Orifice And Gas Ports <input type="checkbox"/> Check Gas Lines For Wear Or Leaks	
Items Replaced: _____	

Service 04	Date: _____
Engineer Name: _____	
License No.: _____	
Company: _____	
Telephone No.: _____	
Unit Inspected: <input type="checkbox"/> Check Integrity Of Orifice And Gas Ports <input type="checkbox"/> Check Gas Lines For Wear Or Leaks	
Items Replaced: _____	

Service 05	Date: _____
Engineer Name: _____	
License No.: _____	
Company: _____	
Telephone No.: _____	
Unit Inspected: <input type="checkbox"/> Check Integrity Of Orifice And Gas Ports <input type="checkbox"/> Check Gas Lines For Wear Or Leaks	
Items Replaced: _____	

Service 06	Date: _____
Engineer Name: _____	
License No.: _____	
Company: _____	
Telephone No.: _____	
Unit Inspected: <input type="checkbox"/> Check Integrity Of Orifice And Gas Ports <input type="checkbox"/> Check Gas Lines For Wear Or Leaks	
Items Replaced: _____	



**WARNING: Never leave the heater unattended while operating.
Disconnect the heater from its power source when not in use.**

LIMITED WARRANTY

United States Stove Company warrants this product, to the original retail purchaser only, to be free from defects in material and workmanship for a period of one (1) year from the date of the initial purchase as evidenced on an invoice, canceled check, sales receipt, etc. In the event of a defect, this Limited Warranty shall be limited to the repair or replacement of parts, which prove defective under normal use and service within the limited warranty period, and which United States Stove Company deems at its reasonable discretion. THE LIMITED WARRANTY SET FORTH HEREIN IS THE SOLE WARRANTY PROVIDED TO PURCHASER AND IS IN LIEU OF ALL OTHER WARRANTIES AND REPRESENTATIONS, EXPRESS OR IMPLIED. UNITED STATES STOVE COMPANY MAKES NO REPRESENTATIONS OR WARRANTIES WHATSOEVER, EXPRESS OR IMPLIED, WITH RESPECT TO THE PRODUCT, OTHER THAN (i) THE LIMITED WARRANTY ABOVE, AND (ii) ANY IMPLIED WARRANTIES IMPOSED BY APPLICABLE LAW WHICH CANNOT BE WAIVED OR DISCLAIMED UNDER APPLICABLE LAW. ALL OTHER WARRANTIES OF ANY KIND, INCLUDING WITHOUT LIMITATION IMPLIED WARRANTIES OF MERCHANTABILITY AND FITNESS FOR A PARTICULAR PURPOSE, ARE HEREBY DISCLAIMED AND EXCLUDED TO THE FULLEST EXTENT NOT PROHIBITED BY APPLICABLE LAW. This Limited Warranty gives the purchaser specific legal rights; a purchaser may have other rights depending upon where he or she resides. Some states do not allow the exclusion or limitation of special, incidental or consequential damages, or state law may affect the duration of limitations, so the above exclusion and limitations may not be applicable.

OTHER LIMITATIONS: United States Stove Company disclaims all other warranties for products that are purchased from sellers other than authorized retailers or distributors. This product must be properly installed, maintained and operated in accordance with the instructions provided herein. Furthermore, United States Stove Company requires reasonable proof of the date

of purchase from an authorized retailer or distributor. This Limited Warranty does not cover any operational failures or difficulties due to normal use and wear and tear, accident, abuse, misuse, alteration, misapplication, improper installation or improper maintenance or service by you or any third party. Failure to perform normal and routine maintenance on the product, shipping damage, damage related to animals, and damage due to weather are not covered under this Limited Warranty. In addition, this Limited Warranty does not cover damage to the finish on the product, such as scratches, dents, discoloration, rust or other weather damage. This warranty does not apply to products purchased for rental use. United States Stove Company assumes no responsibility for any defects caused by third parties. United States Stove Company does not authorize any person or company to assume for it any other obligation or liability in connection with the sale, installation, use, removal, return, or replacement of its products, and no such representations are binding on United States Stove Company.

CLAIM PROCEDURE: All transportation costs for the return of the damaged product or parts will be the responsibility of the purchaser. Upon receipt of the product, United States Stove Company will examine it and determine if the product contains a defect. United States Stove Company will repair or replace and return the item, freight pre-paid. If United States Stove Company finds the item to be in normal operating condition, or not defective, the item will be returned freight collect. Purchaser shall specify the model number(s) and serial number(s) of any product(s) when making any claims with United States Stove Company. Please use the following to identify your product:

Model #: _____

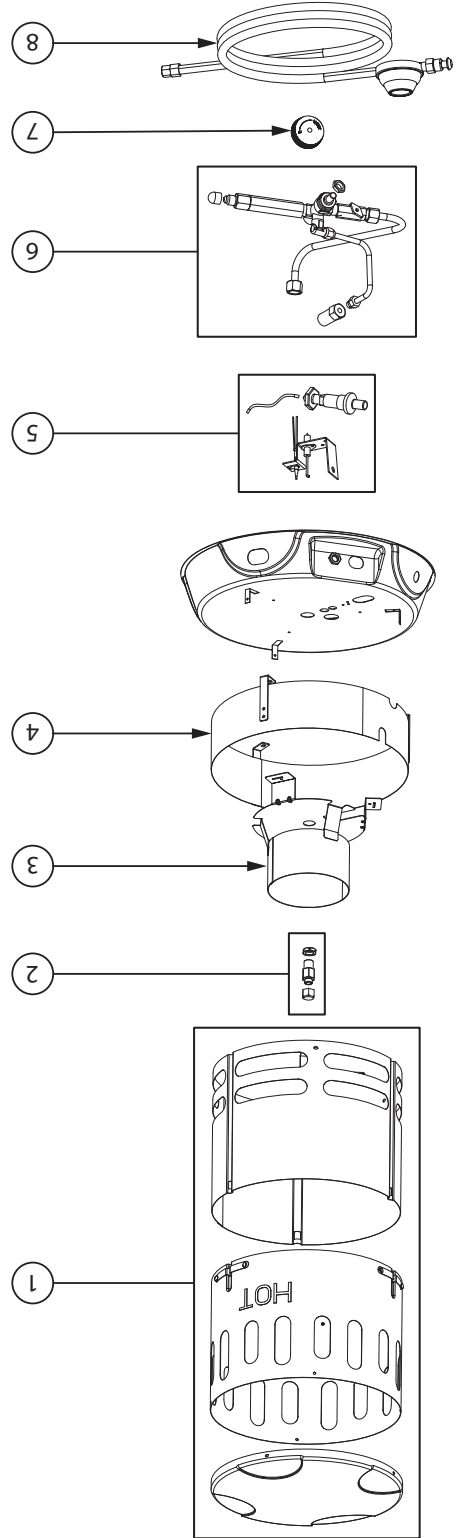
Serial #: _____



**WARNING: Never leave the heater unattended while operating.
Disconnect the heater from its power source when not in use.**

HF200C LISTE DES PIÈCES

Clté	No. De	Description	Qté.
1	893996	Assemblage de la chambre de combustion	1
2	81379	Assemblage de l'orifice du brûleur	1
3	893997	Cône de brûleur	1
4	893998	Anneau de chambre de combustion	1
5	81382	Ensemble allumeur/piézo	1
6	81381	Ensemble vanne et gaz	1
7	893992	Bouton de contrôle	1
8	81377	Assemblage tuyau et régulateur 10 pi	1



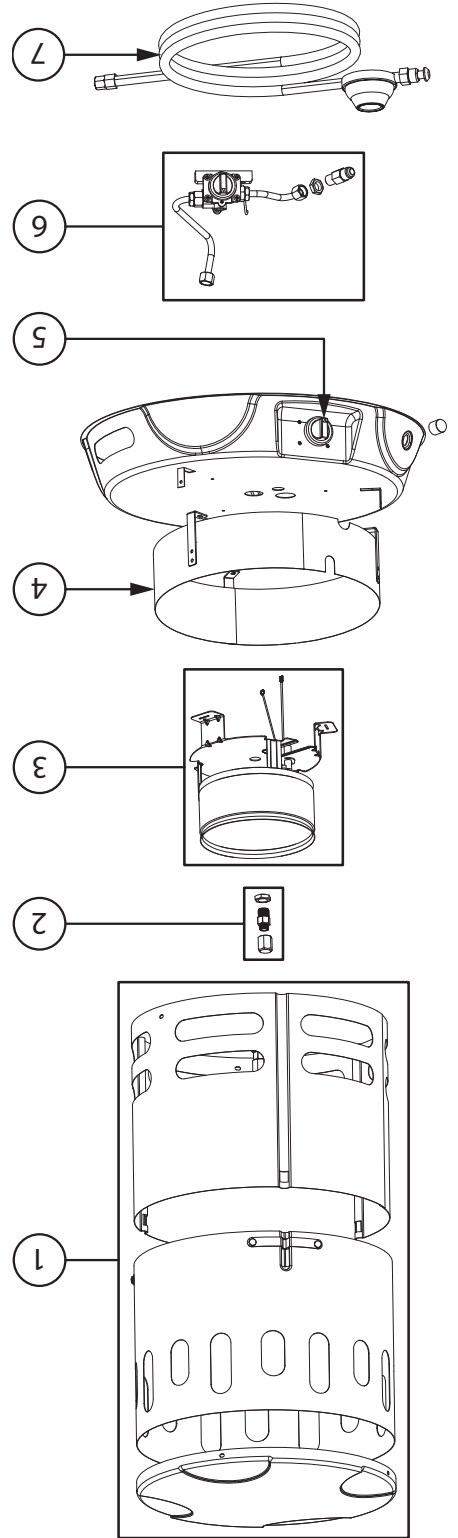
AFIN DE CONSERVER LA GARANTIE, LES COMPOSANTS DOIVENT ÊTRE REMPLACÉS À L'AIDE DES PIÈCES D'ORIGINE DU FABRICANT ACHETÉES AUPRÈS DE VOTRE REVENDUEUR OU DIRECTEMENT AUPRÈS DU FABRICANT DE L'APPAREIL. L'UTILISATION DE COMPOSANTS TIERS ANNULERA LA GARANTIE.

AVERTISSEMENT : Ne laissez jamais le radiateur sans surveillance lorsqu'il fonctionne. Débranchez le radiateur de sa source de combustible lorsque vous ne l'utilisez pas.



HF80C LISTE DES PIÈCES

Clté	No. De Pièce	Description	Qté.
1	893993	Assemblage de la chambre de combustion	1
2	81378	Assemblage de l'orifice du brûleur	1
3	893994	Ensemble de cône de brûleur	1
4	893998	Anneau de chambre de combustion	1
5	893991	Bouton de contrôle	1
6	81380	Ensemble vanne et gaz	1
7	81376	Assemblage tuyau et régulateur 10 pi	1



AFIN DE CONSERVER LA GARANTIE, LES COMPOSANTS DOIVENT ÊTRE REMPLACÉS À L'AIDE DES PIÈCES D'ORIGINE DU FABRICANT ACHETÉES AUPRÈS DE VOTRE REVENDUEUR OU DIRECTEMENT AUPRÈS DU FABRICANT DE L'APPAREIL. L'UTILISATION DE COMPOSANTS TIERS ANNULERA LA GARANTIE.



AVERTISSEMENT : Ne laissez jamais le radiateur sans surveillance lorsqu'il fonctionne. Débranchez le radiateur de sa source de combustible lorsque vous ne l'utilisez pas.

INFORMATIONS GÉNÉRALES

ENTRETIEN ET ENTREPOSAGE

1. L'appareil de chauffage doit être vérifié avant chaque utilisation et au moins une fois par année par un technicien qualifié.
2. Avant chaque utilisation, vérifiez le siège du joint torique au niveau du boulon du raccord POL. Si le joint torique est coupé, éraflé ou endommagé, remplacez-le.
3. Coupez l'alimentation en gaz propane liquéfié quand l'appareil n'est pas utilisé.
4. Quand l'appareil de chauffage est rangé à l'intérieur, la connexion entre la bouteille d'alimentation en gaz basse pression et l'appareil doit être débranchée et la bouteille doit être retirée de l'appareil et rangée à l'extérieur, tel que précisé au chapitre 5 de la norme relative au rangement et à la maintenance des produits de pétrole liquéfiés ANSI/NFPA 58 et CSA B149.1 du Code d'installation du gaz naturel et du gaz propane.

VÉRIFICATION

Un appareil de chauffage qui a été modifié ou qui ne fonctionne pas correctement risque d'être une cause de dangers.:

- La flamme reste dans l'appareil de chauffage.
- La flamme a une teinte bleue avec une pointe de couleur jaune.
- Il n'y a pas de forte odeur désagréable, pas de sensation de brûlure aux yeux, ni de malaise physique général.
- Il n'y a pas de fumée ni de suie à l'intérieur ou à l'extérieur de l'appareil de chauffage.
- Il ne se produit pas d'arrêts imprévus ou inexplicables de l'appareil.

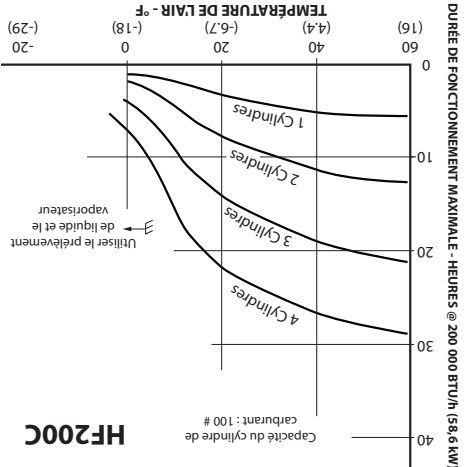
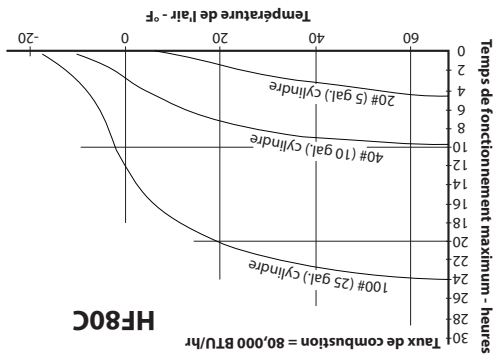
La liste des pièces et le schéma du câblage illustrent la construction détaillée de l'appareil de chauffage. N'utilisez pas un appareil de chauffage qui diffère de ce qui est illustré. N'utilisez à cet effet que le tuyau, le régulateur et le raccord de bonne qualité fournis avec l'appareil de chauffage. IMPORTANT! Faire correspondre la bande de couleur de l'étiquette fixée au tuyau à la couleur de l'étiquette située près du raccord d'entrée de gaz propane. N'utilisez aucun élément de substitution. Sur cet appareil de chauffage, le régulateur doit être réglé tel qu'indiqué à la rubrique « Spécifications ». Si vous avez un doute au sujet du réglage du régulateur, faites-le vérifier.

Si un appareil de chauffage ne fonctionne pas correctement, il doit être réparé, mais seulement par un technicien formé et expérimenté. Les produits couverts par la garantie seront réparés sans frais, pièces et main-d'œuvre comprises. Veuillez joindre une courte description de la nature du problème avec la date, le lieu et la preuve d'achat. Les produits non couverts par la garantie seront réparés aux frais (pièces et main-d'œuvre) du client.

Les tableaux qui suivent indiquent la taille approximative de la bonbonne de gaz requise pour ces appareils de chauffage. Pour utiliser le tableau :

1. Sélectionnez la température de l'air la plus basse prévue (au bas du tableau).
2. Allez ensuite directement au haut du tableau au temps d'utilisation désiré (côté gauche du tableau).
3. Notez la dimension de la bonbonne requise.

Tous les appareils de chauffage doivent être munis de bonnes plaines disposées d'une bonne circulation d'air ne présenter aucun signe de givre.



AVERTISSEMENT : Ne laissez jamais le radiateur sans surveillance lorsqu'il fonctionne. Débranchez le radiateur de sa source de combustible lorsque vous ne l'utilisez pas.



INSTRUCTIONS DE FONCTIONNEMENT

AVANT LE FONCTIONNEMENT

1. Ouvrez complètement la coque et verrouillez-la tel qu'indiqué sur le feuillet d'instructions fourni avant d'allumer et de faire fonctionner l'appareil.
2. Vérifiez soigneusement tout dommage qu'aurait pu subir l'appareil de chauffage pendant l'expédition. Si vous en découvrez, avertissez immédiatement le fabricant.
3. Respectez toutes les précautions de sécurité et de fonctionnement.
4. Branchez le raccord POL (filet à gauche) du tuyau et du régulateur en tournant l'écran POL en sens anti-horaire dans la sortie du robinet de la bonbonne de gaz propane, puis serrez-le avec une clé.
5. Raccordez le tuyau flexible à l'appareil.
6. Serrez fermement toutes les connexions de gaz.
7. Ouvrez le robinet de gaz de la bonbonne et vérifiez toutes les connexions au moyen d'un mélange d'eau et de savon. N'UTILISEZ PAS DE FLAMME.

DÉMARRAGE HF80C

1. AVERTISSEMENT: Avant d'allumer la veilleuse, tournez la vanne de brûleur principal (bouton tournant complètement à droite) en position basse / lumière.
2. Ouvrir complètement le robinet de la bouteille de propane et attendre 15 secondes avant l'étape 3.
3. Bouton pousser et maintenir pendant 5 secondes , permet- tant au gaz pour émettre de l'orifice du brûleur.
4. Tourner le bouton dans le sens antihoraire jusqu'à ce que les clics d'allumage piézo . Continuez à faire tourner et activer l'allumeur jusqu'à ce que le brûleur se allume .
5. Une fois que le brûleur se allume maintenez le bouton dans, sur la position basse pendant 30 secondes . Puis relâchez . Le brûleur doit rester allumé Si elle ne se répète pas les étapes 4 et 5 jusqu'à ce que le brûleur reste allumé
6. Tournez la vanne de brûleur principal de réglermenter la production de chaleur.

DÉMARRAGE HF200C

1. AVERTISSEMENT: Avant d'allumer la veilleuse , tournez la vanne de brûleur principal (bouton tournant complètement à droite) en position basse / lumière.
2. Ouvrir complètement le robinet de la bouteille de propane et attendre 15 secondes avant l'étape 3.
3. Appuyer sur le bouton rouge de la soupape de sécurité (vers la droite du bouton variable des soupapes) admission de gaz au pilote . Ensuite, poussez et relâchez le bouton d'allumage (bouton rouge à la droite du bouton variable des soupapes) jusqu'à ce que les voyants.
4. Lorsque les veilleuses , continuent à maintenir le bouton enfoncé pendant 30 secondes , puis relâchez pour brûleur principal lumière.
5. Si la veilleuse se éteint , attendre 5 minutes et répéter la procédure d'allumage.
6. Tournez la vanne de brûleur principal de réglermenter la production de chaleur

ARRÊT

1. Fermez le robinet sur la bonbonne de gaz propane.
2. Laissez l'appareil fonctionner jusqu'à ce que tout le gaz dans le tuyau ait brûlé.
3. Tourner la valve de brûleur principale à la position basse/ claire.

REDÉMARRAGE APRÈS UN ARRÊT D'URGENCE

1. Fermez complètement le robinet sur la bonbonne de gaz propane.
2. Attendez cinq minutes.
3. Recommencez la procédure « DÉMARRAGE ».



AVERTISSEMENT : Ne laissez jamais le radiateur sans surveillance lorsqu'il fonctionne. Débranchez le radiateur de sa source de combustible lorsque vous ne l'utilisez pas.

INFORMATIONS GÉNÉRALES

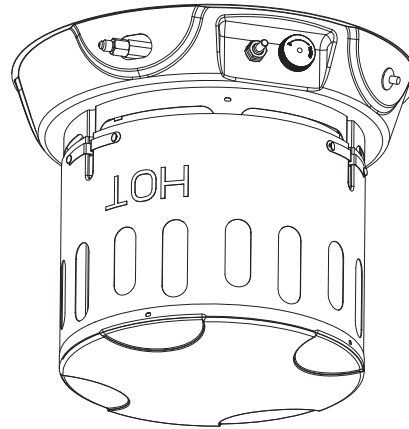
ATTENTION - POINTS ESSENTIELS À RETENIR!

- Le gaz propane (liquéfié) dégage une odeur particulière. Apprenez à reconnaître cette odeur. Consultez les rubriques Odeur du gaz combustible et Substance odorante, ci-dessus.
- Même si vous n'avez pas été formé pour effectuer l'entretien et la réparation de l'appareil, soyez TOUJOURS attentif aux odeurs que dégage le gaz propane (liquéfié) et le gaz naturel.
- Si vous n'êtes pas formé pour procéder à l'entretien et à la réparation des appareils au gaz propane (liquéfié), ne tentez pas d'allumer l'appareil, de le réparer ou de l'entretenir, ni d'apporter des réglages au système d'alimentation en gaz propane de l'appareil.
- Feu importe les conditions, une bonne pratique de sécurité consiste à sentir de temps à autre autour de l'appareil, des raccords, du tuyau et autres éléments. Si vous décelez la moindre odeur de gaz, COMMUNIQUEZ IMMÉDIATEMENT AVEC VOTRE FOURNISSEUR EN GAZ COMBUSTIBLE. N'ATTENDEZ PAS!

ATTENTION: N'ALLUMEZ PAS L'APPAREIL ET NE LE FAITES PAS FONCTIONNER À MOINS QUE LA COQUE SOIT COMPLÈTEMENT OUVERTE ET VERROUILLÉE EN POSITION.

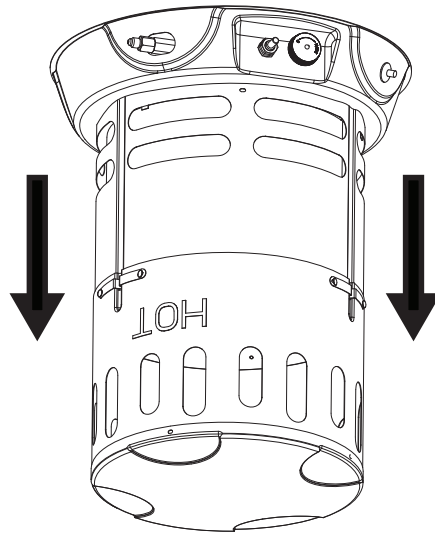
ÉTAPE 1

Appareil tel que reçu à la sortie de l'emballage. Avant de soulever la coque extérieure, protégez-vous les mains. Ne saisissez jamais le métal nu sans vous protéger les mains.



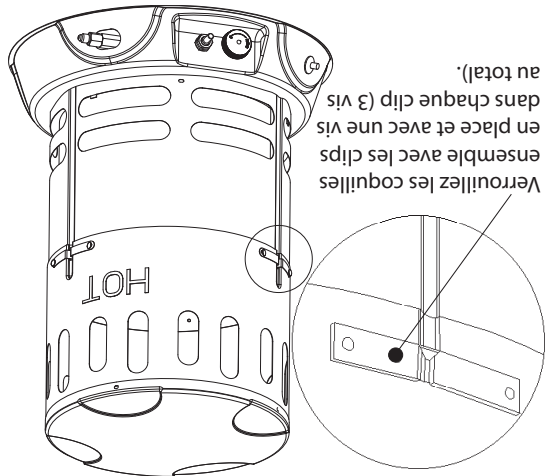
ÉTAPE 2

Soulevez directement la coque extérieure. Protégez-vous bien les mains avant de soulever la coque.



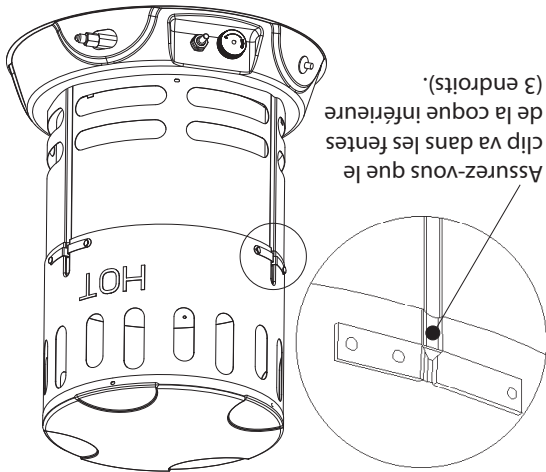
ÉTAPE 4

Verrouillez les clips au moyen des trois vis, tel qu'illustré. L'appareil ne doit pas fonctionner à moins que les coques extérieures soient complètement ouvertes et verrouillées en position.



ÉTAPE 3

Soulevez la coque extérieure jusqu'à ce que les trois clips s'insèrent dans les fentes de la coque inférieure. Ceci étant fait, les trous des vis devraient être alignés.



USA Moyenne pondérée dans le temps sur 8 heures (OSHA 29 CFR 1926.55 App A)	50 ppm	CO
Canada Moyenne pondérée sur 8 heures Travail sécurisé BC OHS Des lignes directrices Part 5.1 et Ontario Lieux de travail Reg 833	25 ppm	CO
	5000 ppm	CO ₂
	3 ppm (Reg 833)	NO ₂
États-Unis - Limite plafond (Limite d'exposition à court terme = 15 minutes)		
Canada STEL (15 minutes Reg 833/1 heure WSBC) Travail sécurisé afe BC OHS Des lignes directrices Part 5.1 et Ontario Lieux de travail Reg 833	100 ppm	CO
	15000 ppm (WSBC) 30000 ppm (Reg 833)	CO ₂
	1,0 ppm (WorkSafeBC) 5,0 ppm (Reg 833)	NO ₂

- Assurez-vous que le flux d'échange d'air de combustion et de ventilation ne peut pas être obstrué.
- Au fur et à mesure que le bâtiment « se resserre » pendant les phases de construction, il peut être nécessaire d'augmenter la ventilation.

ODEUR DU GAZ COMBUSTIBLE

Des additifs odorants ont été ajoutés au gaz propane liquéfié et au gaz naturel dans le but de faciliter la détection de fuites. Vous devriez remarquer une odeur de gaz combustible s'il y a une fuite. Comme le gaz propane (liquéfié) est plus lourd que l'air, l'odeur de gaz se détecte plus facilement près du sol. **TOUTE ODEUR DE GAZ EST UN SIGNAL QU'IL FAUT INTERVENIR IMMÉDIATEMENT !**

- Ne prenez aucune mesure qui provoquerait l'allumage des vapeurs de gaz. N'utilisez aucun interrupteur électrique. Ne tirez sur aucune source d'alimentation électrique ou rallonge électrique. N'allumez pas d'allumettes ni aucune source de flamme. N'utilisez pas votre téléphone. Faites évacuer immédiatement toute personne se trouvant dans l'immeuble.
- Fermez tous les robinets d'alimentation du réservoir de gaz propane (liquéfié) ou de la bonbonne, ainsi que le robinet d'alimentation principale situé sur le compteur, si vous utilisez du gaz naturel.
- Le gaz propane (liquéfié) est plus lourd que l'air et peut s'accumuler dans les endroits près du sol. Si vous croyez qu'il y a une fuite de gaz propane, éloignez-vous des endroits plus bas.
- Utilisez le téléphone d'un voisin et communiquez avec votre fournisseur en gaz combustible et votre service d'incendies. Ne retournez pas dans l'immeuble ou dans le secteur.
- N'entrez pas dans l'immeuble et restez-en à l'écart jusqu'à ce que le personnel du service des incendies ou le fournisseur en gaz combustible ait confirmé que l'endroit ne comporte aucun risque.
- EN DERNIER LIEU, laissez le personnel du service des incendies ou d'approvisionnement en gaz combustible vérifier si du gaz s'échappe. Assurez-vous qu'ils aient aéré l'immeuble avant d'y retourner. Le personnel d'entretien expérimenté doit colmater toute fuite, vérifier la présence d'autres fuites, puis se charger d'allumer l'appareil pour vous.

SUBSTANCE ODORANTE - AUCUNE ODEUR DÉCELÉE

- Certaines personnes ne détectent pas bien les odeurs. Il est donc possible que certaines personnes ne puissent sentir la substance odorante ajoutée au gaz propane (liquéfié) ou au gaz naturel. Vous devez savoir si vous arrivez à déceler l'odeur de cette substance dans le gaz combustible.
- Apprenez à reconnaître l'odeur du gaz propane et celle du gaz naturel. Pour ce faire, les détaillants de gaz propane (liquéfié) locaux seront heureux de vous fournir un feuillet comprenant une pastille à humer. Servez-vous de cette pastille pour vous aider à reconnaître l'odeur de gaz combustible.
- Le tabagisme peut nuire à votre faculté olfactive. Votre faculté à déceler une odeur quelconque peut s'estomper si vous demeurez un certain temps dans un endroit où cette odeur est présente. La présence d'animaux dans des endroits clos peut aussi masquer l'odeur du gaz combustible.
- La substance odorante contenue dans le gaz propane (liquéfié) et le gaz naturel est incolore et, selon certaines circonstances, son odeur pourrait s'estomper.
- En cas de fuite souterraine, le déplacement du gaz dans le sol peut filtrer l'odeur.
- L'intensité de l'odeur du gaz propane (liquéfié) peut varier à différents niveaux. Étant donné que le gaz propane (liquéfié) est plus lourd que l'air, l'odeur peut être plus prononcée à des niveaux inférieurs.
- Portez toujours attention à la moindre odeur de gaz. Si une odeur de gaz persiste, même si elle est minime, agissez comme s'il s'agissait d'une fuite importante. Intervenez immédiatement tel que décrit précédemment.



INFORMATIONS GÉNÉRALES

AVERTISSEMENT RISQUE D'ASPHYXIE

- CET APPAREIL NE DOIT PAS ÊTRE UTILISÉ POUR LE CHAUFFAGE DE LOCAUX OÙ DEMEURENT DES GENS.
- NE L'UTILISEZ PAS DANS DES ENDROITS NON AÉRÉS.
- LE DÉBIT DE CHALEUR ET D'AIR DE VENTILATION NE DOIT PAS ÊTRE OBSTRUÉ.
- LE PROCESSUS DE COMBUSTION DE CET APPAREIL EXIGE UN APPORT ADÉQUAT EN AIR DE VENTILATION.
- CONSULTEZ LA RUBRIQUE PORTANT SUR LES SPÉCIFICATIONS TECHNIQUES DANS LE MANUEL DE L'APPAREIL OU SUR LA PLAQUE DE DONNÉES DE L'APPAREIL, OU COMMUNIQUÉES AVEC LE FABRICANT POUR OBTENIR LES RENSEIGNEMENTS RELATIFS AUX EXIGENCES EN APPORT D'AIR DE VENTILATION POUR LA COMBUSTION.
- LE PROCESSUS DE COMBUSTION NE PEUT S'EFFECTUER CORRECTEMENT SI L'APPORT EN AIR DE VENTILATION EST INSUFFISANT.
- UNE COMBUSTION INADÉQUATE PRODUIT DES ÉMANATIONS NOCIVES DE MONOXYDE DE CARBONE POUVANT ENTRAÎNER DES TROUBLES DE SANTÉ GRAVES, VOIRE MORTELS. LES SYMPTÔMES D'EMPOISONNEMENT AU MONOXYDE DE CARBONE SONT LES MAUX DE TÊTE, LES ÉTOURDISSEMENTS ET LA DIFFICULTÉ RESPIRATOIRE.

AVERTISSEMENT DANGER POUR LA QUALITÉ DE L'AIR

- L'UTILISATION D'APPAREILS DE CHAUFFAGE À CHAUFFAGE DIRECT DANS L'ENVIRONNEMENT DE CONSTRUCTION PEUT ENTRAÎNER UNE EXPOSITION À DES NIVEAUX DE CO, CO₂ ET NO₂ CONSIDÉRÉS COMME DANGEREUX POUR LA SANTÉ ET POTENTIELLEMENT MORTELS.
- CONNAÎTRE LES SIGNES D'EMPOISONNEMENT AU CO ET AU CO₂
- MAUX DE TÊTE, YEUX QUI PIQUENT
- VERTIGES, DÉSORIENTATION
- DIFFICULTÉ À RESPIRER, SENSATION D'ÉTOUFFEMENT
- UN ÉCHANGÉ D'AIR DE VENTILATION APPROPRIÉ (OSHA 29 CFR 1926.57) POUR SOUTENIR LA COMBUSTION ET MAINTENIR UNE QUALITÉ DE L'AIR ACCEPTABLE DOIT ÊTRE FOURNI CONFORMÉMENT À OSHA 29 CFR PART 1926.154, ANSI A10.10 EXIGENCES DE SÉCURITÉ APPLICABLES AUX APPAREILS ET ÉQUIPEMENTS TEMPORAIRES ET PORTATIFS DE CHAUFFAGE DES LOCAUX UTILISÉS DANS L'INDUSTRIE DE LA CONSTRUCTION OU LES CODES D'INSTALLATION DU GAZ NATUREL ET DU PROpane CSA B149.1
- SURVEILLER PÉRIODIQUEMENT LES NIVEAUX DE CO, CO₂ ET NO₂ EXISTANT SUR LE CHANTIER DE CONSTRUCTION - AU MINIMUM AU DÉBUT DU QUART DE TRAVAIL ET APRÈS 4 HEURES.
- FOURNIR UN ÉCHANGÉ D'AIR DE VENTILATION, NATUREL OU MÉCANIQUE, SELON LES BESOINS POUR MAINTENIR UNE QUALITÉ D'AIR INTÉRIEUR ACCEPTABLE

AVERTISSEMENT : Ne laissez jamais le radiateur sans surveillance lorsqu'il fonctionne.
Débranchez le radiateur de sa source de combustible lorsque vous ne l'utilisez pas.



INFORMATIONS GÉNÉRALES

PRÉCAUTIONS LIÉES À LA SÉCURITÉ

1. Vérifiez attentivement si l'appareil de chauffage a subi des dommages. NE FAITES PAS fonctionner un appareil endommagé.
2. NE MODIFIEZ PAS l'appareil de chauffage et ne le faites pas fonctionner s'il n'est plus dans son état d'origine.
3. N'ALLUMEZ PAS l'appareil et ne le faites pas fonctionner à moins que la coque soit complètement ouverte et verrouillée en position. Consultez la feuille d'assemblage pour obtenir les instructions.
4. Utilisez uniquement du gaz propane.
5. Utilisez uniquement une alimentation au propane à ÉLIMINATION DES ÉMANATIONS. Si vous avez des questions à propos de l'élimination des émanations, consultez votre détaillant de gaz propane.
6. Installez les bonbonnes de propane verticalement (robinet de fermeture vers le haut). Fixez-les comme il convient de sorte qu'ils ne puissent se décrocher accidentellement et protégez-les contre les dommages.
7. Placer les contenants de propane à au moins (2,13 m) (7 pi) du chauffe-eau et ne pas diriger l'évacuation vers les contenants.
8. IMPORTANT Utilisez uniquement le tuyau et le régulateur fourni avec l'appareil. Faites correspondre la bande de couleur de l'étiquette fixée au tuyau à la couleur de l'étiquette située près du raccord d'entrée de gaz propane sur l'appareil. Inspectez le tuyau avant chaque utilisation de l'appareil de chauffage. En cas d'abrasion, d'usure excessive ou de coupure, remplacez le tuyau par l'ensemble de tuyaux recommandé avant d'utiliser l'appareil de chauffage.
9. Pour utilisation intérieure seulement. La ventilation doit être adéquate (voir également « Précautions liées au fonctionnement »).
10. Si une odeur de gaz est détectée, ARRÊTEZ IMMÉDIATEMENT l'appareil de chauffage jusqu'à ce que la source d'émission du gaz ait été localisée et colmatée. Veuillez lire le feuillet « Substance odorante et gaz propane » ci-joint pour obtenir plus de précisions relatives à la détection des fuites de gaz propane.
11. Installez l'appareil de chauffage de façon à ce qu'il ne soit pas exposé à l'eau.
12. Conservez un écart minimal entre l'appareil et tout matériel combustible (tel que du papier).
13. En raison des températures élevées de la surface et de l'échappement, les adultes et les enfants doivent respecter les distances de sécurité pour éviter des brûlures et l'inflammation des vêtements.
14. Utilisez uniquement sur des surfaces stables et de niveau.
15. N'utilisez pas l'appareil avec des conduits d'air. N'obstruez pas l'entrée et la sortie d'air.
16. Ne déplacez pas l'appareil, ne le touchez pas et n'essayez pas d'en faire l'entretien alors qu'il est chaud.
17. Utilisez l'appareil en observant les codes de sécurité en vigueur localement ou réérez-vous aux normes relatives à l'entreposage et à la maintenance des produits de pétrole liquéfiés ANSI/NFPA 58 et CSA B149.1 du Code d'installation du gaz naturel et du gaz propane.

ÉCART MINIMUM	
Entre l'appareil et tout matériel combustible	
Écart	
Des côtés	1,22 m (4 pi)
Du dessus	1,82 m (6 pi)
Placez l'appareil à 3 m (10 pi) des baches et des revêtements similaires, et fixez-les afin d'empêcher tout battement ou mouvement causé par le vent.	

AVERTISSEMENT : Ne laissez jamais le radiateur sans surveillance lorsqu'il fonctionne. Débranchez le radiateur de sa source de combustible lorsque vous ne l'utilisez pas.



CARACTÉRISTIQUES ET SPÉCIFICATIONS

MODÈLE MAX PRESSION:	HF80C	HF200C
POUR RÉGULATEUR: MIN (MAX=Botlle Pressure)	5PSI (34,5 kPa)	15PSI (103 kPa)
LA SORTIE DU RÉGULATEUR	11po W.C. (2,74 kPa)	10PSI (68,9 kPa)
Allumage	Piezo	Piezo
Température Ambiante Minimum	0° F (17,8) ° C	0° F (17,8) ° C
BTU Taux Faible-Élevé	30,000-80,000 BTU/HR (8,8-23,4 kW)	75,000-200,000 BTU/HR (22-58,6 kW)
La Consommation De Carburant	1,4-3,7 LBS/HR (.74-1,8 kg/HR)	3,5-9,3 LBS/HR (1,44-4,32 kg/HR)
Longueur Du Tuyau	15pi (456 cm)	15pi (456 cm)
VENTILATION:		
Ouvertures minimales requises	2pi ² Ouverture près du plafond	2pi ² Ouverture près du plafond
	2pi ² Ouverture près du plancher	2pi ² Ouverture près du plancher

MAINTENEZ CE MANUEL POUR LA FUTURE RÉFÉRENCE

INFORMATIONS GÉNÉRALES

PRÉCAUTIONS LIÉES AU FONCTIONNEMENT

Cet appareil de chauffage à convection et à feu direct fonctionne au gaz propane. Il est destiné principalement à chauffer temporairement des édifices en construction, en rénovation ou en réparation. Le gaz propane est plus lourd que l'air. Si du gaz propane fuit d'une connexion ou d'un raccord, il se dirige vers le plancher, se mélange avec l'air ambiant et forme un mélange potentiellement explosif. Évidemment, les fuites de gaz propane devraient être évitées; il est donc important de raccorder l'alimentation en propane avec le plus grand soin. Veuillez lire le feuillet « Substance odorante et gaz propane » ci-joint pour obtenir plus de précisions relatives à la détection des fuites de gaz propane. Vérifiez la présence de fuite aux nouvelles connexions et raccords en utilisant un mélange d'eau et de savon et suivez les instructions mentionnées. Obtenez également les conseils de votre détaillant quant à votre installation au propane et posez-lui toute question que vous auriez à cet égard. Cet appareil a été conçu et homologué pour être utilisé comme appareil de chauffage pour chantier de construction, conformément à la norme ANSI Z83.7-2017 CSA 2.14-2017. Soumettez à l'organisme local responsable de la sécurité et des incendies toute question relative à votre type d'installation. Selon le type d'application, d'autres normes peuvent s'appliquer et régir l'utilisation des produits de combustion, de gaz combustible et des appareils de chauffage. L'organisme local qui en est responsable saura vous conseiller à cet égard. Le fonctionnement à feu direct de cet appareil signifie que tous les produits de combustion se retrouvent dans l'air ambiant. Même si l'efficacité de combustion de l'appareil de chauffage est presque complète, il produit quand même de petites quantités de monoxyde de carbone. Le monoxyde de carbone (appelé CO) est toxique. Notre organisme ne peut en supporter que de faibles quantités. Il est possible que le CO s'accumule dans le local à chauffer. Une ventilation inadéquate pourrait ainsi causer la mort. Les symptômes ressentis en cas de ventilation inadéquate sont les suivants:

- mal de tête
- étourdissement
- sensation de brûlure au nez et aux yeux
- nausée
- mal de gorge ou bouche sèche

Assurez-vous donc de respecter les conseils au sujet de la ventilation mentionnés dans ces instructions. Lorsque l'appareil de chauffage doit fonctionner en présence d'autres personnes, l'utilisateur est responsable d'informer ces dernières des instructions et précautions liées à la sécurité et de les avertir des dangers inhérents.

AVERTISSEMENT : Ne laissez jamais le radiateur sans surveillance lorsqu'il fonctionne. Débranchez le radiateur de sa source de combustible lorsque vous ne l'utilisez pas.



INFORMATION DE SÉCURITÉ

 AVERTISSEMENT:

VOTRE SÉCURITÉ PERSONNELLE ÉTANT IMPORTANTE POUR TOUS, VEUILLEZ LIRE LES INSTRUCTIONS AVANT D'UTILISER CET APPAREIL DE CHAUFFAGE.

 AVERTISSEMENT GÉNÉRAL DE DANGER:

- LE NON-RESPECT DES MESURES DE PRÉVENTION ET INSTRUCTIONS FOURNIES AVEC CET APPAREIL DE CHAUFFAGE RISQUE DE CAUSER LA MORT, DES BLESSURES GRAVES ET DES DOMMAGES OU DES PERTES MATÉRIELLES RÉSULTANT D'INCENDIE, D'EXPLOSION, DE BRÛLURE, D'ASPHYXIE, D'INTOXICATION AU MONOXYDE DE CARBONE OU D'ÉLECTROCUTION.
- SEULES LES PERSONNES APTES À COMPRENDRE ET À RESPECTER LES INSTRUCTIONS DEVAIENT UTILISER OU EFFECTUER L'ENTRETIEN DE CET APPAREIL DE CHAUFFAGE.
- SI VOUS AVEZ BESOIN D'AIDE OU D'INFORMATION AU SUJET DE L'APPAREIL DE CHAUFFAGE (MANUEL D'INSTRUCTIONS, ÉTIQUETTES, ETC.), VEUILLEZ COMMUNIQUER AVEC LE FABRICANT.

 AVERTISSEMENT:

NON CONÇU POUR UNE UTILISATION DANS LA MAISON OU UN VÉHICULE RÉCRÉATIF.

 AVERTISSEMENT:

DANGER D'INCENDIE, D'EXPLOSION ET D'INHALATION CONSERVEZ LES MATÉRIAUX COMBUSTIBLES TELS QUE LES MATÉRIAUX DE CONSTRUCTION, LE PAPIER ET LE CARTON À UNE DISTANCE SÉCURITAIRE DE L'APPAREIL DE CHAUFFAGE COMME LE RECOMMANDENT LES INSTRUCTIONS. N'UTILISEZ JAMAIS L'APPAREIL DE CHAUFFAGE DANS UN LOCAL QUI CONTIENT OU RISQUE DE CONTENIR DES PARTICULES COMBUSTIBLES EN SUSPENSION DANS L'AIR OU DES PRODUITS TELS QUE DE L'ESSENCE, DES SOLVANTS, DU DILUANT À PEINTURE, DES PARTICULES DE POUSSIÈRE OU DES PRODUITS CHIMIQUES INCONNUS.

 AVERTISSEMENT

L'ÉTAT DE LA CALIFORNIE IMPOSE L'AVERTISSEMENT SUIVANT

L'UTILISATION DE CET APPAREIL CRÉE DES SOUS-PRODUITS DE COMBUSTION CONTENANT DU MONOXYDE DE CARBONE, UN PRODUIT CHIMIQUE RECONNU PAR L'ÉTAT DE LA CALIFORNIE COMME CAUSE DE CANCER ET D'ANOMALIES CONGÉNITALES (OU AUTRES RISQUES POUR LA REPRODUCTION), CET APPAREIL CONTIENT DES PRODUITS CHIMIQUES RECONNUS PAR L'ÉTAT DE CALIFORNIE COMME POUVANT CAUSER LE CANCER ET DES MALFORMATIONS CONGÉNITALES OU AUTRES DOMMAGES AU SYSTÈME REPRODUCTEUR.

AVERTISSEMENT : Ne laissez jamais le radiateur sans surveillance lorsqu'il fonctionne. Débranchez le radiateur de sa source de combustible lorsque vous ne l'utilisez pas.



**APPAREIL DE CHAUFFAGE
À CONVECTION POUR
CHANTIER
DE CONSTRUCTION**

HEATFAST®

MODÈLE: HF80C/HF200C



AVERTISSEMENT: Le non-respect des instructions, telles qu'indiquées dans le présent guide, risque d'entraîner une explosion ou un incendie entraînant des dommages matériels ou des blessures graves, voire mortelles.

- N'entreposez ni n'utilisez d'essence ou autres liquides ou vapeurs inflammables à proximité de ce type d'appareil.
- Aucune bonbonne de propane liquéfié non raccordée pour utilisation ne doit se trouver à proximité de cet appareil, ni d'aucun autre appareil.

EN PRÉSENCE D'UNE ODEUR DE GAZ:

- Ne tentez pas d'allumer l'appareil de chauffage.
- Éteignez toute flamme nue.
- Fermez l'alimentation en gaz à l'appareil.

L'entretien doit être effectué par un fournisseur de services d'entretien qualifié.

VEUILLEZ LIRE ATTENTIVEMENT LES INSTRUCTIONS: Veuillez lire et suivre toutes les directives. Conservez ces instructions dans un endroit sécuritaire pour vous y référer ultérieurement. Ne permettez pas à quiconque n'ayant pas lu les présentes instructions d'assembler, d'allumer, de régler ou de faire fonctionner cet outil.

Cet appareil de chauffage portatif alimenté au gaz n'est pas ventilé. Il utilise l'oxygène de l'air ambiant. Une circulation d'air adéquate doit être assurée pour la combustion et la ventilation.

**UNITED STATES
STOVE CO**
ESTD 1889

United States Stove Company
227 Industrial Park Road, South Pittsburg, TN
PH: (800) 750-2723
www.usstove.com