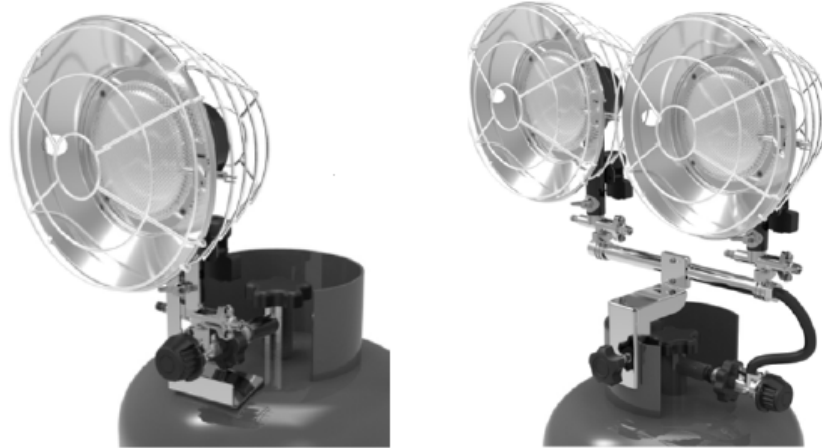


HEATFAST®

GAS-FIRED INFRA-RED TANK TOP HEATER

MODEL: HF15TT / HF30TT



CYLINDER NOT INCLUDED

WARNING: If the information in this manual is not followed exactly, a fire or explosion may result causing property damage, personal injury or loss of life.

- Do not store or use gasoline or other flammable vapors and liquids in vicinity of this or any other appliance.
- An LP cylinder not connected for use shall not be stored in the vicinity of this or any other appliance.

WHAT TO DO IF YOU SMELL GAS:

- Do not try to light appliance.
- Extinguish any open flame.
- Shut off gas to appliance.

Service must be performed by a qualified service agency.

READ INSTRUCTIONS CAREFULLY: Read and follow all instructions. Place instructions in a safe place for future reference. Do not allow anyone who has not read these instructions to assemble, light, adjust or operate the heater.

This is an unvented gas-fired portable heater. It uses air (oxygen) from the area in which it is used. Adequate combustion and ventilation air must be provided.

⚠ CALIFORNIA PROPOSITION 65 WARNING:

This product can expose you to chemicals including carbon monoxide, which is known to the State of California to cause cancer, birth defects, and/or other reproductive harm. For more information, go to www.P65warnings.ca.gov

**UNITED STATES
STOVE CO.**
EST[®] 1869

United States Stove Company
227 Industrial Park Road, South Pittsburg, TN
PH: (800) 750-2723
www.usstove.com

854017B-2406M

GENERAL SAFETY INFORMATION



WARNING:

YOUR SAFETY IS IMPORTANT TO YOU AND TO OTHERS, SO PLEASE READ THESE INSTRUCTIONS BEFORE YOU OPERATE THIS HEATER.



GENERAL HAZARD WARNING:

FAILURE TO COMPLY WITH THE PRECAUTIONS AND INSTRUCTIONS PROVIDED WITH THIS HEATER, CAN RESULT IN DEATH, SERIOUS BODILY INJURY AND PROPERTY LOSS OR DAMAGE FROM HAZARDS OF FIRE, EXPLOSION, BURN, ASPHYXIATION, CARBON MONOXIDE POISONING, AND/OR ELECTRICAL SHOCK.

ONLY PERSONS WHO CAN UNDERSTAND AND FOLLOW THE INSTRUCTIONS SHOULD USE OR SERVICE THIS HEATER. IF YOU NEED ASSISTANCE OR HEATER INFORMATION SUCH AS AN INSTRUCTIONS MANUAL, LABELS, ETC. CONTACT THE MANUFACTURER.



WARNING:

NOT FOR HOME OR RECREATIONAL VEHICLE USE.



WARNING:

FIRE, BURN, INHALATION, AND EXPLOSION HAZARD. KEEP SOLID COMBUSTIBLES, SUCH AS BUILDING MATERIALS, PAPER OR CARDBOARD, A SAFE DISTANCE AWAY FROM THE HEATER AS RECOMMENDED BY THE INSTRUCTIONS NEVER USE THE HEATER IN SPACES WHICH DO OR MAY CONTAIN VOLATILE OR AIRBORNE COMBUSTIBLES, OR PRODUCTS SUCH AS GASOLINE, SOLVENTS, PAINT THINNER, DUST PARTICLES OR UNKNOWN CHEMICALS.



WARNING:

THE STATE OF CALIFORNIA REQUIRES THE FOLLOWING WARNING

COMBUSTION BY-PRODUCTS PRODUCED WHEN USING THIS PRODUCT CONTAIN CARBON MONOXIDE, A CHEMICAL KNOWN TO THE STATE OF CALIFORNIA TO CAUSE CANCER AND BIRTH DEFECTS (OR OTHER REPRODUCTIVE HARM). THIS PRODUCT CONTAINS CHEMICALS KNOWN TO THE STATE OF CALIFORNIA TO CAUSE CANCER AND BIRTH DEFECTS OR OTHER REPRODUCTIVE HARM.

The heater is designed and approved for us as, a construction heater and in accordance with ANSI Z83.7-2017 CSA 2.14-201. Check with your local fire safety authority if you have any questions about applications.

Other standards govern the use of fuel gases and heat-producing products and specific applications. Your local authority can advise you about these standards.



**WARNING: Never leave the heater unattended while operating.
Disconnect the heater from its power source when not in use.**

GENERAL SAFETY INFORMATION

USA 8-Hr Time weighted average (OSHA 29 CFR 1926.55 App A)

CO	50 ppm
CO ₂	5000 pm
NO ₂	

USA - Ceiling Limit (Short Term Exposure Limit = 15 minutes)

CO	
CO ₂	
NO ₂	5 ppm

Canada 8-hr time weighted average WorkSafe BC OHS Guidelines Part 5.1 and Ontario Work-places Reg 833

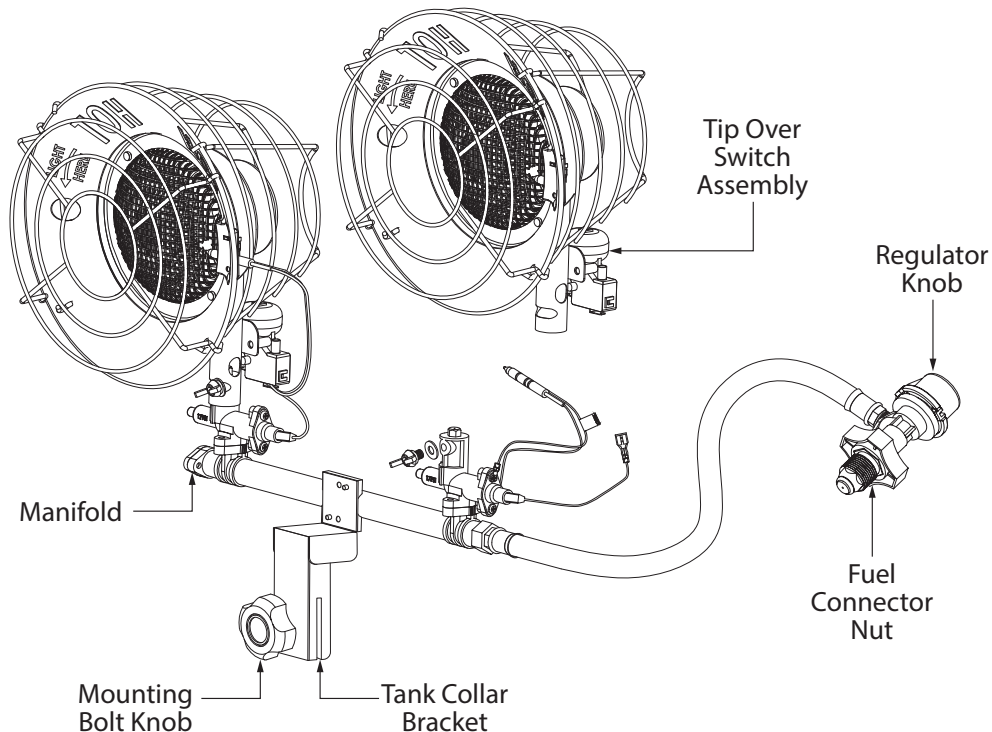
CO	50 ppm
CO ₂	5000 pm
NO ₂	3 ppm (Reg 833)

Canada STEL (15 minutes Reg 833/1 hour WSBC) WorkSafe BC OHS Guidelines Part 5.1 and Ontario Workplaces Reg 833

CO	100 ppm
CO ₂	15,000 pm (WSCB) 30,000 ppm (Reg 833)
NO ₂	1.0 ppm (WorkSafeBC) 5.0 ppm (Reg 833)

Note: Installation of this appliance at altitudes above 2000 ft (610 m) shall be in accordance with local codes, or in the absence of local codes, the National Fuel Gas Code, ANSI Z223.1/NFPA 54, or National Standard of Canada, Natural Gas and Propane Installation Code, CSA B149.1.

PORTABLE HEATER FEATURES



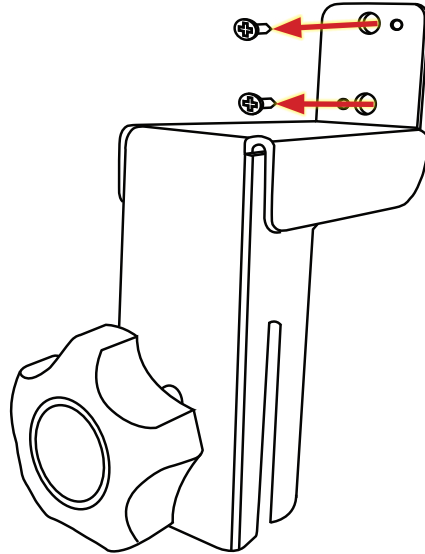
**WARNING: Never leave the heater unattended while operating.
Disconnect the heater from its power source when not in use.**

ASSEMBLY AND HOOK-UP INFORMATION

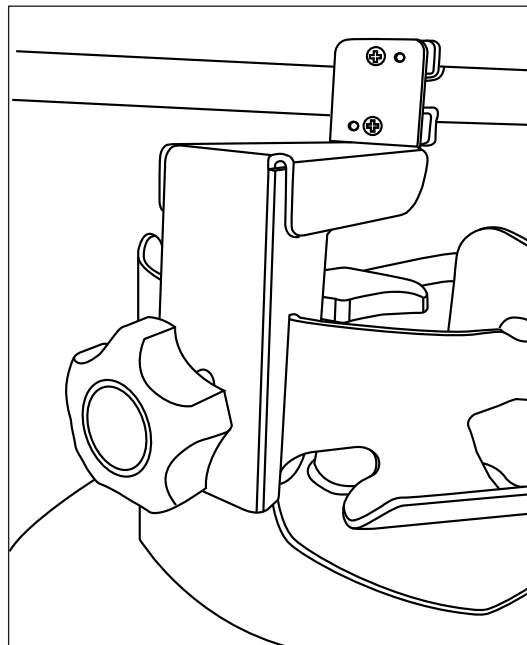
- Propane cylinders (tanks) are not included with these heaters.
- Remove the heater from the carton.
- Use only vapor withdrawal LP gas cylinders constructed for use with propane only (HD-5) and marked in accordance with the specifications for LP gas cylinders of the U.S. Department of Transportation (DOT SPEC. 39).
- This heater must be used only with a vapor withdrawal LP gas bulk tank equipped with a standard POL valve – Do Not use this heater on bulk tanks greater than 20 pounds LPG capacity (50 pounds water capacity).

DUAL BURNER MODEL

1. Use a phillips head screw-driver to remove the two screws located in the collar bracket. Set aside for later use.



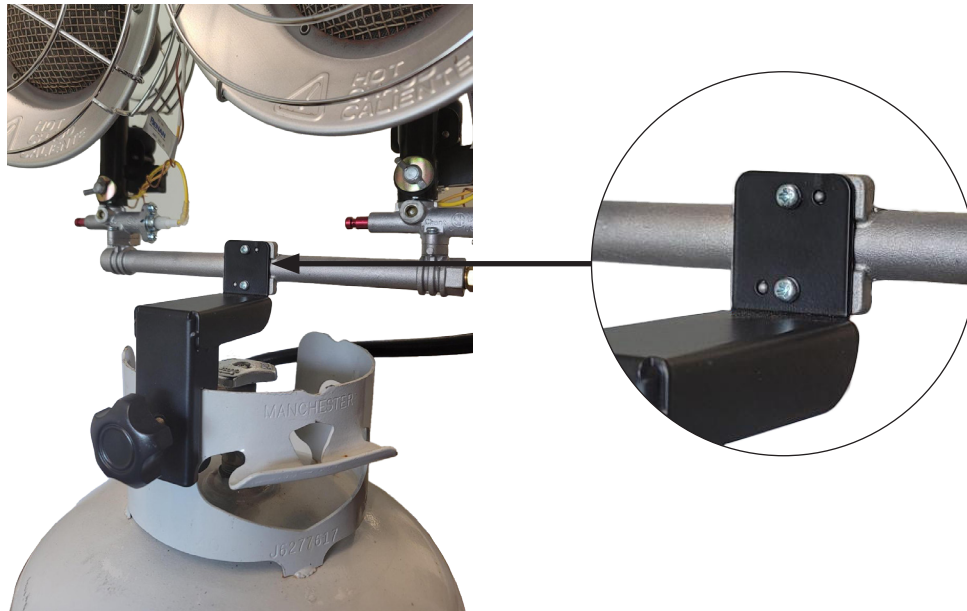
2. Place the collar bracket onto the tank with the tank collar bracket over the tank collar. Mounting bolt knob should be positioned to the outside of the tank collar. Firmly secure the collar bracket to the tank by hand-tightening the mounting bolt knob. Do not overtighten.



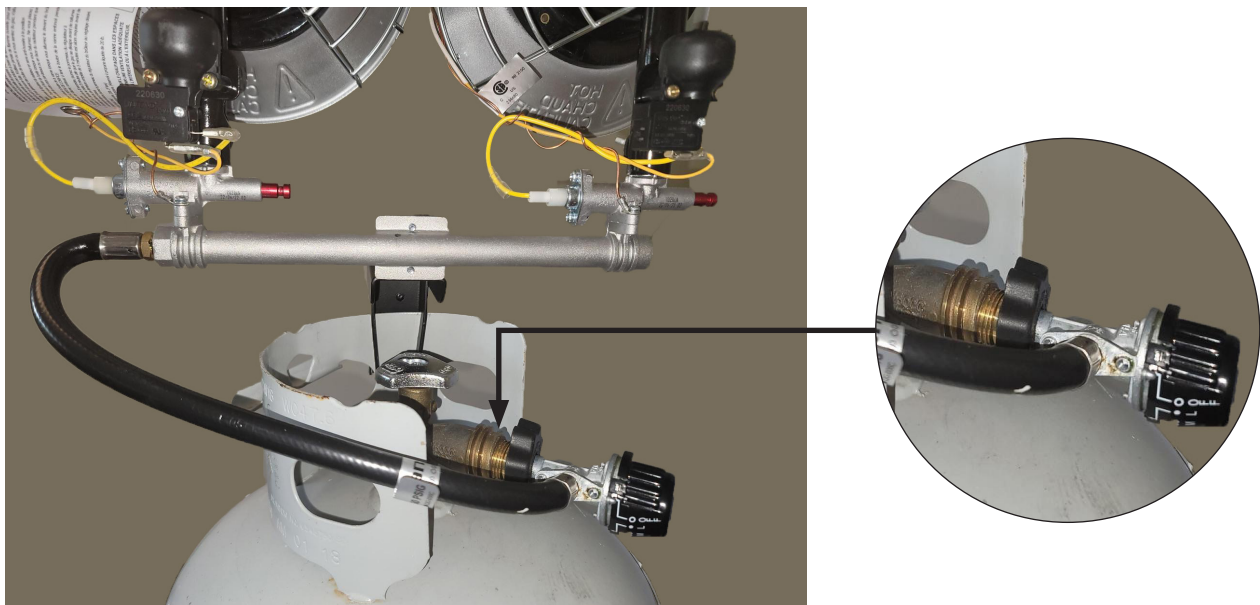
**WARNING: Never leave the heater unattended while operating.
Disconnect the heater from its power source when not in use.**

ASSEMBLY AND HOOK-UP INFORMATION

- Align the bolt holes in the tank collar bracket with the bolt holes located in the center plate of the manifold. Using the previously removed screws, secure the center plate manifold to the collar bracket. NOTE: The heater MUST be facing away from the tank once it has been attached to the collar bracket. Make sure that tip switch bracket is between the tank collar bracket and the manifold center plate.



- Make sure heater regulator is in the "OFF" position. Insert regulator's connector into tank's valve and turn left (counter clockwise) with hand as much as possible. Do not overtighten.

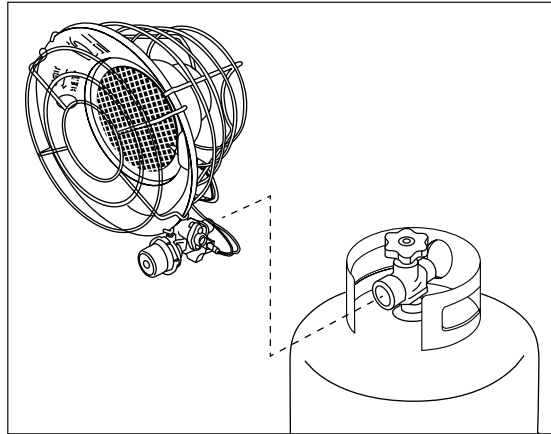


**WARNING: Never leave the heater unattended while operating.
Disconnect the heater from its power source when not in use.**

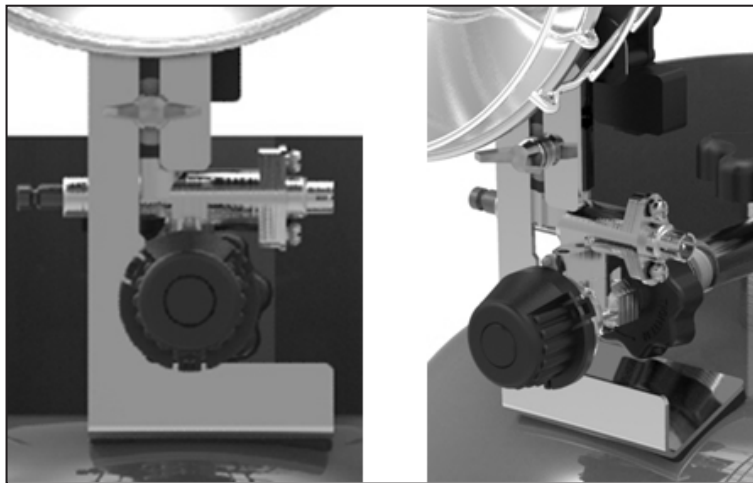
ASSEMBLY AND HOOK-UP INFORMATION

SINGLE BURNER MODEL

1. Be sure the heater is facing away from tank. Insert the regulator connector into the tank valve outlet fitting and turn left (counter clock-wise) until fully tightened. Do not overtighten.



2. Loosen the wingnut located on the venturi tube. Place the heater support around venturi and rest the bottom of the heater support on the propane cylinder. Tighten the previously loosened wingnut to secure the heater support onto venturi tube.



3. Operate only on a stable, level surface.
4. Open propane tank valve slowly.
5. Check all fittings for leaks. Apply a 50/50 mixture of liquid soap and water to all joints. Bubbles forming indicate a leaking connection. Correct all leaks before proceeding.

⚠ WARNING: NEVER TOUCH HEATER WHILE IN OPERATION TO AVOID INJURY. MOVE HEATER BY GRASPING THE PROPANE CYLINDER CAREFULLY.

6. The heater should be inspected before each use and at least annually by a qualified service person.
7. The hose assembly shall be visually inspected prior to use of heater. If it is evident there is excessive abrasion or wear, or the hose is cut, it must be replaced prior to the heater being put into operation. Replacement hose assembly shall be hose assembly as listed in the parts list.
8. Minimum inlet gas pressure is 20 psi.
9. Maximum inlet gas pressure is 120 psi (equivalent to an ambient temperature of 75°F (24°C)).



**WARNING: Never leave the heater unattended while operating.
Disconnect the heater from its power source when not in use.**

IMPORTANT INFORMATION

ODOR FADE WARNING



WARNING ASPHYXIATION HAZARD

- DO NOT USE THIS HEATER FOR HEATING HUMAN LIVING QUARTERS.
- DO NOT USE IN UNVENTILATED AREAS.
- THE FLOW OF COMBUSTION AND VENTILATION AIR MUST NOT BE OBSTRUCTED.
- PROPER VENTILATION AIR MUST BE PROVIDED TO SUPPORT THE COMBUSTION AIR REQUIREMENTS OF THE HEATER BEING USED.
- REFER TO THE SPECIFICATION SECTION OF THE HEATER'S MANUAL, HEATER DATA PLATE, OR CONTACT THE FACTORY TO DETERMINE COMBUSTION AIR VENTILATION REQUIREMENTS OF THE HEATER.
- LACK OF PROPER VENTILATION AIR WILL LEAD TO IMPROPER COMBUSTION.
- IMPROPER COMBUSTION CAN LEAD TO CARBON MONOXIDE POISONING LEADING TO SERIOUS INJURY OR DEATH. SYMPTOM OF CARBON MONOXIDE POISONING CAN INCLUDE HEADACHES DIZZINESS AND DIFFICULTY IN BREATHING.

FUEL GAS ODOR

LP gas and natural gas have man-made odorants added specifically for detection of fuel gas leaks. If a gas leak occurs you should be able to smell the fuel gas. Since Propane (LP) is heavier than air you should smell for the gas odor low to the floor. ANY GAS ODOR IS YOUR SIGNAL TO GO INTO IMMEDIATE ACTION!

- Do not take any action that could ignite the fuel gas. Do not operate any electrical switches. Do not pull any power supply or extension cords. Do not light matches or any other source of flame. Do not use your telephone.
- Get everyone out of the building and away from the area immediately.
- Close all propane (LP) gas tank or cylinder fuel supply valves, or the main fuel supply valve located at the meter if you use natural gas.
- Propane (LP) gas is heavier than air and may settle in low areas. When you have reason to suspect a propane leak, keep out of all low areas.
- Use your neighbor's phone and call your fuel gas supplier and your fire department. Do not re-enter the building or area.
- Stay out of the building and away from the area until declared safe by the firefighters and your fuel gas supplier.
- FINALLY, let the fuel gas service person and the firefighters check for escaped gas. Have them air out the building and area before you return. Properly trained service people must repair any leaks, check for further leakages, and then relight the appliance for you.

ODOR FADING - NO ODOR DETECTED

- Some people cannot smell well. Some people cannot smell the odor of the man-made chemical added to propane (LP) or natural gas. You must determine if you can smell the odorant in these fuel gases.
- Learn to recognize the odor of propane (LP) gas and natural gas. Local propane (LP) gas dealers will be more than happy to give you a scratch and sniff pamphlet. Use it to become familiar with the fuel gas odor.
- Smoking can decrease your ability to smell. Being around an odor for a period of time can affect your sensitivity to that particular odor. Odors present in animal confinement buildings can mask fuel gas odor.
- The odorant in propane (LP) gas and natural gas is colorless and the intensity of its odor can fade under some circumstances.
- If there is an underground leak, the movement of gas through the soil can filter the odorant.
- Propane (LP) gas odor may differ in intensity at different levels. Since Propane (LP) gas is heavier than air, there may be more odor at lower levels.



**WARNING: Never leave the heater unattended while operating.
Disconnect the heater from its power source when not in use.**

IMPORTANT INFORMATION

- Always be sensitive to the slightest gas odor. If you continue to detect any gas odor, no matter how small, treat it as a serious leak. Immediately go into action as discussed previously.

ATTENTION - CRITICAL POINTS TO REMEMBER

- Propane (LP) gas has a distinctive odor. Learn to recognize these odors. (Reference Fuel Gas Odor and Odor Fading sections to the left and above).
- Even if you are not property trained in the service and repair of the heater, ALWAYS be consciously aware of the odors of propane (LP) gas and natural gas.
- If you have not been properly trained in repair and service of propane (LP) gas then do not attempt to light heater, perform service or repairs, or make any adjustments to the heater on the propane (LP) gas fuel system.
- A periodic sniff test around the heater or at the heater's joints; i.e. hose, connections, etc., is a good safety practice under any conditions. If you smell even a small amount of gas, CONTACT YOUR FUEL GAS SUPPLIER IMMEDIATELY. DO NOT WAIT!

GENERAL INFORMATION

- A. These units are high pressure propane appliances and are designed to be connected to a bulk propane tank.
- B. These heaters are equipped with an automatic Safety Shutoff Valve. The gas flow will automatically stop if the heater fails to operate for any reason.
- C. Maximum safety and convenience have been built into the Hi-Med-Lo-Off Control Valve/Regulator. The following table lists the approximate BTU's consumed and the operating hours you can reasonably expect from bulk propane cylinders.
- D. These heaters are for temporary heating of buildings under construction, alterations, or repair.

Model	HF15TT		HF30TT	
	Valve Position	BTU Input	Hours w/20lb. Tank	BTU Input
Hi	15,000	28	30,000	14
Med	12,000	36	24,000	18
Lo	10,000	43	10,000	43

FOR SAFE OPERATION

- A. READ INSTRUCTIONS CAREFULLY: Read and adhere to these instructions. Do not allow anyone who has not read the instructions to assemble, light, adjust or operate the heater.

WARNING: KEEP THE HEATER OUT OF THE REACH OF CHILDREN

- B. Use only in accordance with local codes or, in the absence of local codes, with the standard for the Storage and handling of Liquefied Petroleum Gases ANSI/NFPA 58 and CSA B 149.1, Natural Gas and Propane Installation Code.
- C. PROPANE IS VERY FLAMMABLE: In the event of a leak, propane will accumulate and the possibility of a fire is present. Propane gas is scented and its strong odor is readily detectable. Never strike a match or bring any flame or create an electric spark in an enclosure when you smell propane gas. Ventilate the area thoroughly, move the heater outside, find and correct the source of the leak before attempting to light any appliance. If you are unsure of these instructions evacuate immediately and call for help.
- D. GAS LEAKAGE: If the leak cannot be corrected do not tamper with the heater, follow the shut down instructions and return the heater to the dealer or address given on last page.

WARNING: DO NOT USE THIS HEATER ON BULK TANKS OF GREATER CAPACITY THAN 20 POUNDS LPG (50 POUNDS WATER CAPACITY).



**WARNING: Never leave the heater unattended while operating.
Disconnect the heater from its power source when not in use.**

IMPORTANT INFORMATION

- E. **LEAK DETECTION:** Before each use of the heater check all fittings and connections with a soap solution to be sure there are no leaks. NEVER USE ANY FLAME FOR LEAK TEST.
- F. **CONNECTING HEATER TO PROPANE CYLINDER:** Always connect the heater to the bulk cylinder in the outdoors or in a well ventilated area. NEVER connect this heater to a cylinder near an open flame.
- G. **USE OF HEATER:** Always operate the heater with the propane cylinder in an upright position on a level noncombustible surface. NEVER place the cylinder on its side when operating the heater.
- H. **ATTEND HEATER:** Do not leave heater unattended while it is in operation.
- I. **ALWAYS LIGHT HEATER WITH MATCH OR "SPARKLITE" IGNITER:** NEVER attempt to light the heater with a spark lighter.
- J. **DO NOT TAMPER:** Should the heater not perform properly, such as little or no heat when operating in the "Hi" position, or for any other reason, DO NOT ATTEMPT TO REPAIR OR TAMPER with the heater. Any tampering could make the use of the heater unsafe and dangerous. Return the heater to the dealer or the address given on last page for repair or replacement.
- K. **FOR STORAGE:** The heater Hi-Med-Lo-Off regulating valve should always be turned to "off" when the heater is not in use. Allow at least 15 minutes for cooling before handling and storing. Detach propane cylinder from heater before storing. DO NOT store propane cylinders indoors or near open flame or heat.
- L. **DO NOT TRANSPORT OR MOVE APPLIANCE WHILE IN OPERATION. FOLLOW SHUTDOWN AND STORAGE INSTRUCTIONS TO TRANSPORT OR MOVE THIS APPLIANCE.**

VENTILATION

- A. **WARNING:** This heater is an unvented appliance and MUST be used ONLY in a well ventilated area. NEVER attempt to operate the heater inside any vehicle, camper or enclosure.
- B. **FOR NON-RESIDENTIAL INDOOR AND OUTDOOR USE.** Any combustion process requires and consumes oxygen, and will produce carbon monoxide. THIS HEATER MUST BE USED WITH ADEQUATE VENTILATION. Do not use inside a house, camper, tent or any type of unvented or a tightly enclosed area.
- C. **WARNING:** Provide ample ventilation. This heater consumes air (oxygen). Do not use this heater in unventilated structures to avoid endangering your life. Provide additional ventilation for any additional fuel-burning appliances and additional occupants.
- D. Flow of combustion and ventilation air must not be obstructed.

MINIMUM CLEARANCE FROM COMBUSTIBLE MATERIALS

- A. When operating, the heater surfaces are extremely hot. Keep sleeping bags, clothing, and all combustible materials clear of the heater by at least the distances shown.

BTU/HR. Rating		Normal Operating Procedure	Clearances to Combustibles				
Model	Gas Propane		From C.L. OF HTR. TO FLOOR	FRONT	SIDES	REAR	CEILING
HF15TT	15,000	Vertical	24"	30"	30"	30"	30"
HF30TT	30,000	Vertical	24"	30"	30"	30"	36"

- B. **WARNING:** To avoid injury or property damage never allow clothing, tents or other combustible materials within 30" of the face of the heater. This heater must be located at least 24" above the floor level when in use. Never operate the heater when sleeping.
- C. **WARNING:** Never direct the heat output of this heater toward any propane tank within 20 feet.



**WARNING: Never leave the heater unattended while operating.
Disconnect the heater from its power source when not in use.**

OPERATION

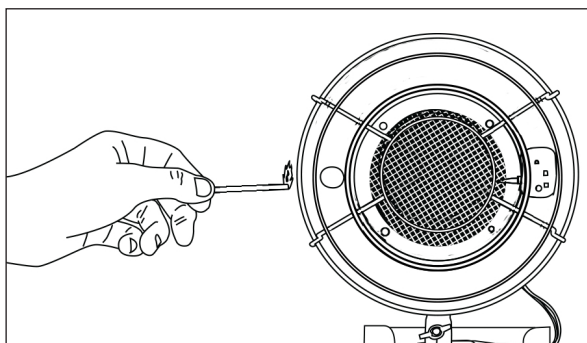
LIGHTING INSTRUCTIONS

Before attempting to light the heater, check all fittings and connections with a soap solution. NEVER USE A MATCH TO CHECK FOR LEAKS. Should a gas leak occur, do not attempt to repair or use heater. Return the heater to your dealer or the address given on back page.

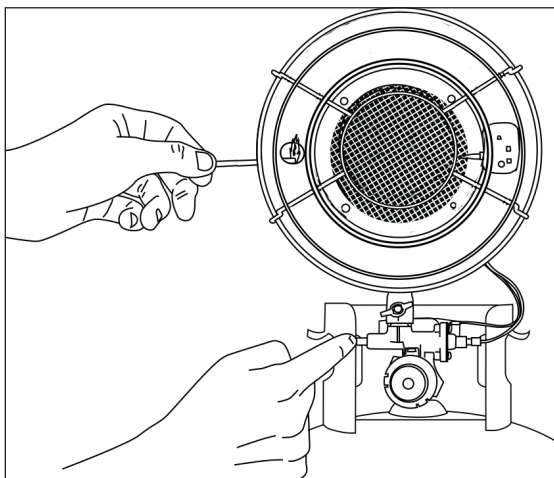
Fuel – This heater must be used only with a vapor withdrawal LP gas bulk cylinder. THE BULK TANK MUST BE EQUIPPED WITH A STANDARD POL VALVE.

⚠ WARNING: USE HD.5 PROPANE GAS ONLY. DO NOT USE ANY OTHER TYPE FUEL. SEE YOUR PROPANE DEALER IF YOU HAVE ANY QUESTIONS REGARDING FUEL.

1. Turn the heater's "Hi-Med-Lo-Off" regulator knob to "Hi" (counterclockwise). Stand to the side of the unit while lighting. Do not stand or have any part of the body over or in front of the heater while lighting.
2. Place a lit match inside the hole located on the left-hand side of the rear reflector.



3. Depress and hold the valve button located on the safety shutoff valve. After the heater is lit, continue to hold the valve button in for 30 seconds, then release the button slowly. CAUTION: DO NOT PUSH IN VALVE BUTTON BEFORE INSERTING THE LIT MATCH. NEVER STAND IN FRONT OF THE HEATER WHILE LIGHTING.



4. If burner does not light within 30 seconds, turn the heater's regulator knob to "Off" (clockwise) and allow at least five minutes for gas to dissipate before attempting to relight.
5. NOTE: Should the orifice become clogged as indicated by low volume of gas when operating on "Hi" with a full cylinder, or should the heater fail to operate properly for any reason, return the heater to the dealer or the address given in this manual for repair or replacement. DO NOT ATTEMPT TO REPAIR OR TAMPER WITH HEATER.
6. Adjust heat output by turning knob to desired position.

DO NOT USE THIS HEATER FOR COOKING.



**WARNING: Never leave the heater unattended while operating.
Disconnect the heater from its power source when not in use.**

OPERATION

SHUTDOWN AND STORAGE INSTRUCTIONS

- A. The bulk propane tank “ON-OFF” valve should ALWAYS be completely turned “OFF” when the heater is not in use.
- B. When shutting off the heater, turn the regulator knob on the heater to “OFF” (clockwise).
- C. CAUTION: After turning unit off, heater will remain extremely hot. Allow at least 15 minutes for cooling before handling and storing. Detach heater from bulk tank before handling and storage. REMEMBER – POL fitting is a left-hand thread.
- D. HEATER STORAGE: Indoor storage of the heater is permissible only if the cylinder is disconnected and removed from the heater. Cylinders must be stored outdoors out of the reach of children and must not be stored in a building, garage or any other enclosed area. Store cylinders only in accordance with the Standard for the Storage and Handling of Liquefied Petroleum Gases ANSI/NFPA 58 and CSA B149.1, Natural Gas and Petroleum Installation Code.
- E. See the “Parts List” section of this manual.

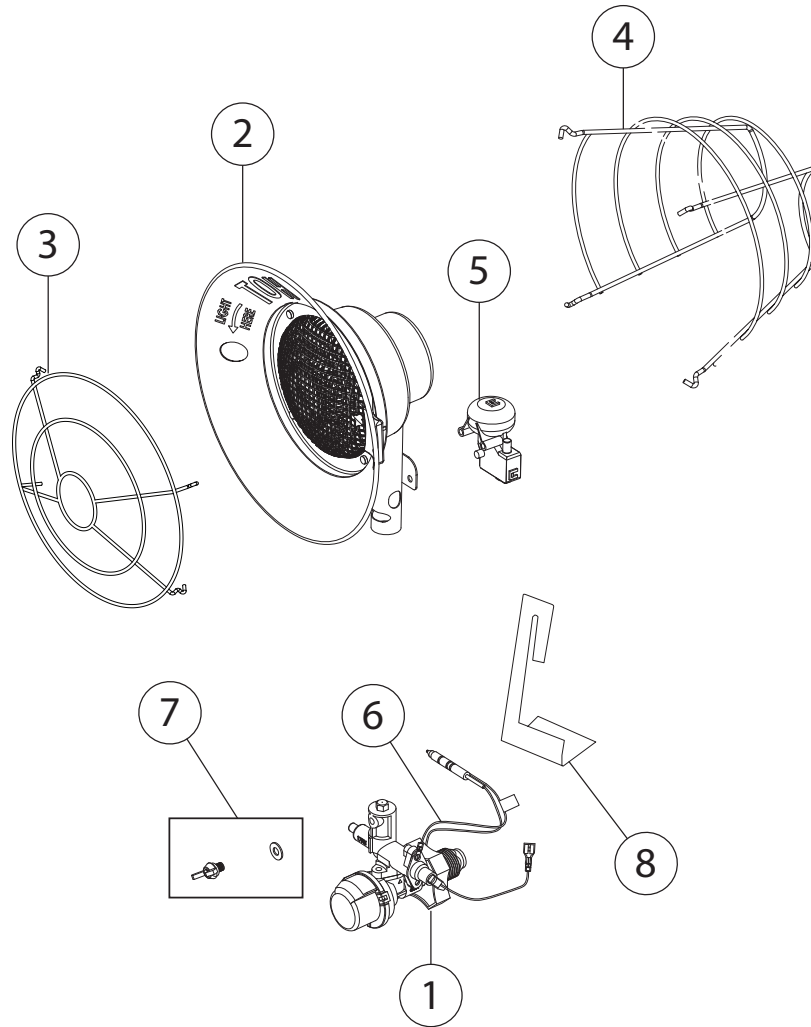
MAINTENANCE

- A. Remove thermocouple retaining bracket screw from back of burner assembly. Remove bracket.
- B. Note position of thermocouple in retaining tabs on the back of the Burner assembly. Remove the thermocouple.
- C. Remove wing bolt and fiber washer that attached the safety shut-off to the burner Assembly.
- D. Slide the safety shut-off from burner assembly.
- E. Remove burner orifice from the safety shut-off.
- F. Clean burner orifice with compressed air (80 psi max).
- G. Direct compressed are through the burner venturi tube toward the burner plenum so that dust collected on the grid screen will be blown outward. Keep face away from the grid screen.
- H. Reassemble heater in reverse order of disassembly.



**WARNING: Never leave the heater unattended while operating.
Disconnect the heater from its power source when not in use.**

HF15TT PARTS LIST



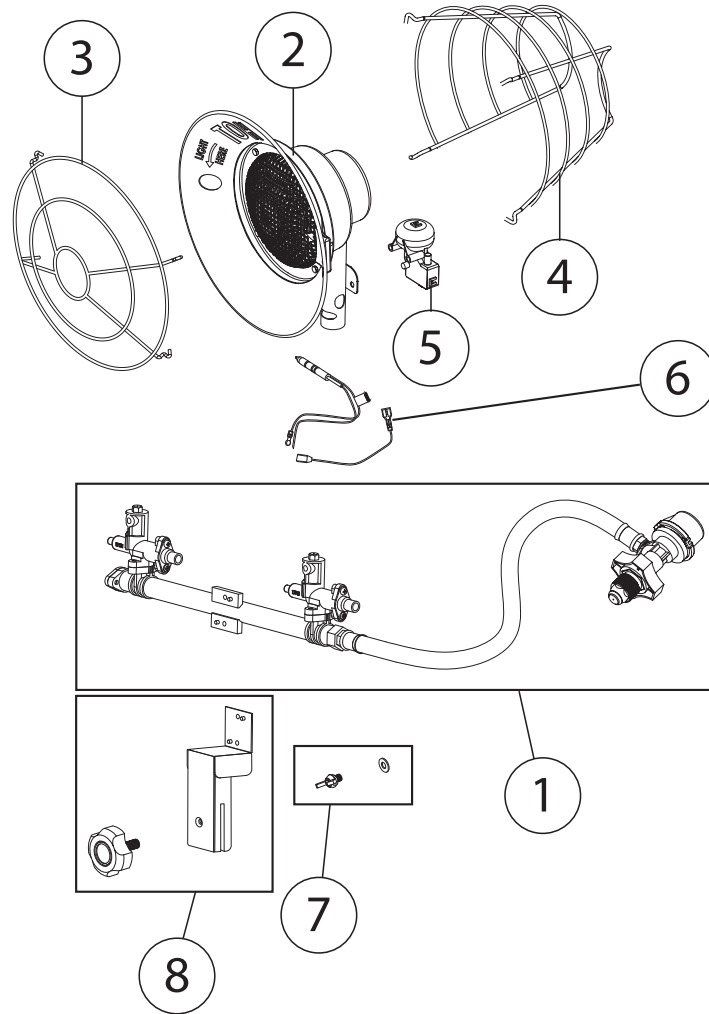
Key	Part #	Description	Qty
1	81383	Control Valve Assembly	1
2	894002	Burner Head Assy	1
3	894003	Front Guard Assy	1
4	894004	Rear Guard Assy	1
5	80918	Tip Switch	1
6	80919	Thermocouple/Tip Switch Wire Assy.	1
7	831041	Wing Bolt w Fiber Washer	1
8	894005	Support Leg	1

IN ORDER TO MAINTAIN WARRANTY, COMPONENTS MUST BE REPLACED USING ORIGINAL MANUFACTURERS PARTS PURCHASED THROUGH YOUR DEALER OR DIRECTLY FROM THE APPLIANCE MANUFACTURER. USE OF THIRD PARTY COMPONENTS WILL VOID THE WARRANTY.



WARNING: Never leave the heater unattended while operating. Disconnect the heater from its power source when not in use.

HF30TT PARTS LIST



Key	Part #	Description	Qty
1	81384	Control Valve Assembly	1
2	894002	Burner Head Assy	2
3	894003	Front Guard Assy	2
4	894004	Rear Guard Assy	2
5	80918	Tip Switch	2
6	80919	Thermocouple/Tip Switch Wire Assy.	2
7	831041	Wing Bolt w Fiber Washer	2
8	894006	Tank Collar Bracket	1

IN ORDER TO MAINTAIN WARRANTY, COMPONENTS MUST BE REPLACED USING ORIGINAL MANUFACTURERS PARTS PURCHASED THROUGH YOUR DEALER OR DIRECTLY FROM THE APPLIANCE MANUFACTURER. USE OF THIRD PARTY COMPONENTS WILL VOID THE WARRANTY.



WARNING: Never leave the heater unattended while operating. Disconnect the heater from its power source when not in use.

SERVICE RECORD

It is recommended that this unit is serviced regularly and that the appropriate Service Interval Record is completed.

Service Provider:

Before completing the appropriate Service Record below, please ensure you have carried out the service as described in the manufacturer's instructions. Always use the manufacturer's specified spare part when replacement is necessary.

Service 01	Date: _____
Engineer Name: _____	
License No.: _____	
Company: _____	
Telephone No.: _____	
Unit Inspected: <input type="checkbox"/> Check Integrity Of Orifice And Gas Ports <input type="checkbox"/> Check Gas Lines For Wear Or Leaks	
Items Replaced: _____	

Service 02	Date: _____
Engineer Name: _____	
License No.: _____	
Company: _____	
Telephone No.: _____	
Unit Inspected: <input type="checkbox"/> Check Integrity Of Orifice And Gas Ports <input type="checkbox"/> Check Gas Lines For Wear Or Leaks	
Items Replaced: _____	

Service 03	Date: _____
Engineer Name: _____	
License No.: _____	
Company: _____	
Telephone No.: _____	
Unit Inspected: <input type="checkbox"/> Check Integrity Of Orifice And Gas Ports <input type="checkbox"/> Check Gas Lines For Wear Or Leaks	
Items Replaced: _____	

Service 04	Date: _____
Engineer Name: _____	
License No.: _____	
Company: _____	
Telephone No.: _____	
Unit Inspected: <input type="checkbox"/> Check Integrity Of Orifice And Gas Ports <input type="checkbox"/> Check Gas Lines For Wear Or Leaks	
Items Replaced: _____	

Service 05	Date: _____
Engineer Name: _____	
License No.: _____	
Company: _____	
Telephone No.: _____	
Unit Inspected: <input type="checkbox"/> Check Integrity Of Orifice And Gas Ports <input type="checkbox"/> Check Gas Lines For Wear Or Leaks	
Items Replaced: _____	

Service 06	Date: _____
Engineer Name: _____	
License No.: _____	
Company: _____	
Telephone No.: _____	
Unit Inspected: <input type="checkbox"/> Check Integrity Of Orifice And Gas Ports <input type="checkbox"/> Check Gas Lines For Wear Or Leaks	
Items Replaced: _____	



**WARNING: Never leave the heater unattended while operating.
Disconnect the heater from its power source when not in use.**

LIMITED WARRANTY

United States Stove Company warrants this product, to the original retail purchaser only, to be free from defects in material and workmanship for a period of one (1) year from the date of the initial purchase as evidenced on an invoice, canceled check, sales receipt, etc. In the event of a defect, this Limited Warranty shall be limited to the repair or replacement of parts, which prove defective under normal use and service within the limited warranty period, and which United States Stove Company deems at its reasonable discretion. THE LIMITED WARRANTY SET FORTH HEREIN IS THE SOLE WARRANTY PROVIDED TO PURCHASER AND IS IN LIEU OF ALL OTHER WARRANTIES AND REPRESENTATIONS, EXPRESS OR IMPLIED. UNITED STATES STOVE COMPANY MAKES NO REPRESENTATIONS OR WARRANTIES WHATSOEVER, EXPRESS OR IMPLIED, WITH RESPECT TO THE PRODUCT, OTHER THAN (i) THE LIMITED WARRANTY ABOVE, AND (ii) ANY IMPLIED WARRANTIES IMPOSED BY APPLICABLE LAW WHICH CANNOT BE WAIVED OR DISCLAIMED UNDER APPLICABLE LAW. ALL OTHER WARRANTIES OF ANY KIND, INCLUDING WITHOUT LIMITATION IMPLIED WARRANTIES OF MERCHANTABILITY AND FITNESS FOR A PARTICULAR PURPOSE, ARE HEREBY DISCLAIMED AND EXCLUDED TO THE FULLEST EXTENT NOT PROHIBITED BY APPLICABLE LAW. This Limited Warranty gives the purchaser specific legal rights; a purchaser may have other rights depending upon where he or she resides. Some states do not allow the exclusion or limitation of special, incidental or consequential damages, or state law may affect the duration of limitations, so the above exclusion and limitations may not be applicable.

OTHER LIMITATIONS: United States Stove Company disclaims all other warranties for products that are purchased from sellers other than authorized retailers or distributors. This product must be properly installed, maintained and operated in accordance with the instructions provided herein. Furthermore, United States Stove Company requires reasonable proof of the date

of purchase from an authorized retailer or distributor. This Limited Warranty does not cover any operational failures or difficulties due to normal use and wear and tear, accident, abuse, misuse, alteration, misapplication, improper installation or improper maintenance or service by you or any third party. Failure to perform normal and routine maintenance on the product, shipping damage, damage related to animals, and damage due to weather are not covered under this Limited Warranty. In addition, this Limited Warranty does not cover damage to the finish on the product, such as scratches, dents, discoloration, rust or other weather damage. This warranty does not apply to products purchased for rental use. United States Stove Company assumes no responsibility for any defects caused by third parties. United States Stove Company does not authorize any person or company to assume for it any other obligation or liability in connection with the sale, installation, use, removal, return, or replacement of its products, and no such representations are binding on United States Stove Company.

CLAIM PROCEDURE: All transportation costs for the return of the damaged product or parts will be the responsibility of the purchaser. Upon receipt of the product, United States Stove Company will examine it and determine if the product contains a defect. United States Stove Company will repair or replace and return the item, freight pre-paid. If United States Stove Company finds the item to be in normal operating condition, or not defective, the item will be returned freight collect. Purchaser shall specify the model number(s) and serial number(s) of any product(s) when making any claims with United States Stove Company. Please use the following to identify your product:

Model #: _____

Serial #: _____



**WARNING: Never leave the heater unattended while operating.
Disconnect the heater from its power source when not in use.**

NOTES



**WARNING: Never leave the heater unattended while operating.
Disconnect the heater from its power source when not in use.**

NOTES



**WARNING: Never leave the heater unattended while operating.
Disconnect the heater from its power source when not in use.**

GARANTIE LIMITEE

L'entreprise United States Stove Company garantit ce produit, seulement à l'acheteur commercial original, d'être sans défaut matériel ou manutentionnaire pour une période d'un (1) an, à partir de la date d'achat initiale, tel que convenu sur la facture, sur le chèque annulé sur le reçu de l'achat, etc. En cas de défaut, cette garantie limitée est limitée à la réparation ou au remplacement des pièces qui se prouvent défectueuses selon l'usage normal et le service normal, convenu à l'intérieur de la garantie limitée, et qui est jugé convenable à la discrétion de l'United States Stove Company. LA GARANTIE LIMITEE DENOTEE CI-JOINT EST LA SEULE GARANTIE FOURNIE A L'ACHETEUR ET EST EN LIEU DE TOUT AUTRE GARANTIE OU REPRESENTATION, EXPRESSE OU IMPLICITE. L'UNITED STATES STOVE COMPANY NE FAIT AUCUNE REPRESENTATION OU GARANTIE QUE CE SOIT, QUELLE SOIT IMPLICITE OU EXPRESSE, EN RESPECT AU PRODUIT, AUTRE QUE (i) LA GARANTIE LIMITEE MENTIONNEE CI-DESSUS, ET ((ii)) TOUTE GARANTIE IMPLICITE IMPOSEE PAR LA LOI APPLICATION QUI NE PEUT ETRE ANNULEE OU DECLINEES SELON LA LOI APPLICABLE. TOUTE AUTRE GARANTIE, DE TOUT GENRE, INCLUANT MAIS SANS S'Y LIMITER AUX GARANTIES IMPLICITES DE QUALITE MARCHANDE OU D'APTITUDE POUR UN BUT PARTICULIER, SONT DONC DECLINEES ET EXCLUSES AU PLUS HAUT POINT SELON LA LOI APPLICABLE. Cette garantie limitée donne à l'acheteur des droits légaux spécifiques; un acheteur pourrait avoir des droits différents selon son lieu de résidence. Certains états ne permettent pas l'exclusion ou la limitation de dommages spécifiques, accessoires ou consécutifs, ou des lois d'état qui peuvent affecter la durée des limitations; l'exclusion et les limitations précédentes pourraient ne pas s'appliquer.

AUTRES LIMITATIONS: L'United States Stove Company décline toutes autres garanties pour les produits qui sont achetés auprès d'autres vendeurs que ceux autorisés. Ce produit doit être proprement installé, entretenu et doit fonctionner selon les instructions ci-jointes. De plus, l'United States Stove Company requiert une preuve raisonnable de la date d'achat effectuée auprès du fournisseur ou du distributeur autorisé. Cette garantie limitée ne couvre pas les échecs ou les difficultés opérationnelles dus à

un usage régulier et à l'usure, aux accidents, aux abus, aux altérations, à l'installation ou à l'entretien incorrects effectués par vous ou par une troisième partie. Un échec d'effectuer l'entretien normal et routinier de ce produit, les dommages d'expédition, les dommages effectués par des animaux, et ceux faits par les événements météorologiques ne sont pas couverts dans cette garantie limitée. Également, cette garantie limitée ne couvre pas le dommage fait au fini de ce produit, comme les égratignures, les bosses, la discoloration du produit, la rouille ou tout autres dommages faits par les événements météorologiques. Cette garantie ne s'applique pas aux produits achetés pour la location. L'United Stated Stove Company n'assume aucune responsabilité envers les défauts effectués par des troisième parties. L'United States Stove Company n'autorise aucune personne ou aucune entreprise d'assumer pour elle-même toute obligation ou toute forme de responsabilité pour la vente, l'installation, l'utilisateur, l'enlèvement, le retour ou le remplacement de ses produits, et aucune de ces représentations ne permette de lier l'United States Stove Company.

PROCÉDURE DE RÉCLAMATION: Tous les coûts de transport pour le retour d'un produit ou de pièces endommagées seront de la responsabilité de l'acheteur. Au moment de la réception du produit, l'United States Stove Company examinera et déterminera si le produit est défectueux ou non. L'United States Stove Company réparera ou remplacera le produit, par transport préparé. Si United States Stove Company trouve que le produit fonctionne selon les normes de fonctionnement normales, et qu'il n'est pas défectueux, le produit sera retourné par port dû. Les acheteurs devront spécifier le numéro du modèle et le numéro de série de tout produit lorsqu'ils feront les réclamations auprès d'United States Stove Company. Veuillez fournir les informations suivantes afin d'identifier votre produit:

Modèle _____

No de série: _____



ENREGISTREMENT DE SERVICE

Il est recommandé que votre système de chauffage est desservi régulièrement et que le Service Interval enregistré approprié est terminée.
Fournisseur de services:
Avant de terminer l'enregistrement de service approprié ci-dessous, s'il vous plaît vous assurer que vous avez effectué le service tel que décrit dans les instructions du fabricant. Toujours utiliser pièce de rechange indiquée par le fabricant lors de remplacement est nécessaire.

_____	Service de 02	Date: _____
_____	Ingenieur Nom: _____	
_____	Refustratuib No.: _____	
_____	Company: _____	
_____	N ° de téléphone: _____	
Unité inspectée: <input type="checkbox"/> Vérifier l'intégrité de l'orifice et du gaz Ports	<input type="checkbox"/> Vérifiez gaz Lignes d'usure ou de fuites	Articles Remplacé: _____

_____	Service de 04	Date: _____
_____	Ingenieur Nom: _____	
_____	Refustratuib No.: _____	
_____	Company: _____	
_____	N ° de téléphone: _____	
Unité inspectée: <input type="checkbox"/> Vérifier l'intégrité de l'orifice et du gaz Ports	<input type="checkbox"/> Vérifiez gaz Lignes d'usure ou de fuites	Articles Remplacé: _____

_____	Service de 06	Date: _____
_____	Ingenieur Nom: _____	
_____	Refustratuib No.: _____	
_____	Company: _____	
_____	N ° de téléphone: _____	
Unité inspectée: <input type="checkbox"/> Vérifier l'intégrité de l'orifice et du gaz Ports	<input type="checkbox"/> Vérifiez gaz Lignes d'usure ou de fuites	Articles Remplacé: _____

_____	Service de 01	Date: _____
_____	Ingenieur Nom: _____	
_____	Refustratuib No.: _____	
_____	Company: _____	
_____	N ° de téléphone: _____	
Unité inspectée: <input type="checkbox"/> Vérifier l'intégrité de l'orifice et du gaz Ports	<input type="checkbox"/> Vérifiez gaz Lignes d'usure ou de fuites	Articles Remplacé: _____

_____	Service de 03	Date: _____
_____	Ingenieur Nom: _____	
_____	Refustratuib No.: _____	
_____	Company: _____	
_____	N ° de téléphone: _____	
Unité inspectée: <input type="checkbox"/> Vérifier l'intégrité de l'orifice et du gaz Ports	<input type="checkbox"/> Vérifiez gaz Lignes d'usure ou de fuites	Articles Remplacé: _____

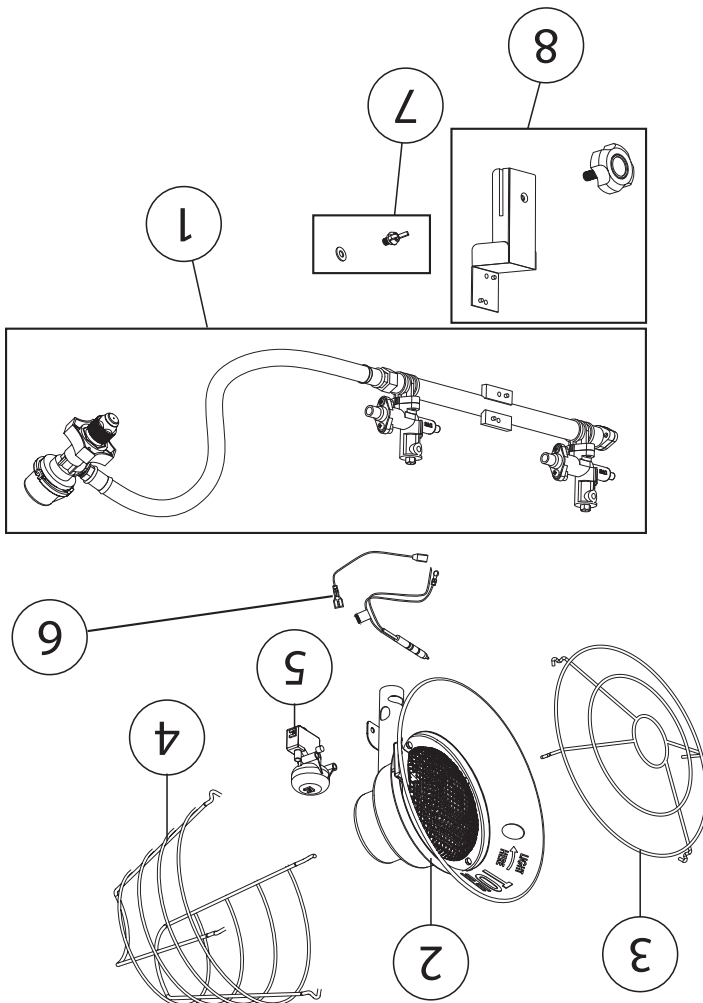
_____	Service de 05	Date: _____
_____	Ingenieur Nom: _____	
_____	Refustratuib No.: _____	
_____	Company: _____	
_____	N ° de téléphone: _____	
Unité inspectée: <input type="checkbox"/> Vérifier l'intégrité de l'orifice et du gaz Ports	<input type="checkbox"/> Vérifiez gaz Lignes d'usure ou de fuites	Articles Remplacé: _____

AVERTISSEMENT : Ne laissez jamais le radiateur sans surveillance lorsqu'il fonctionne.



Débranchez le radiateur de sa source de combustible lorsque vous ne l'utilisez pas.

HF30TT LISTE DES PIÈCES



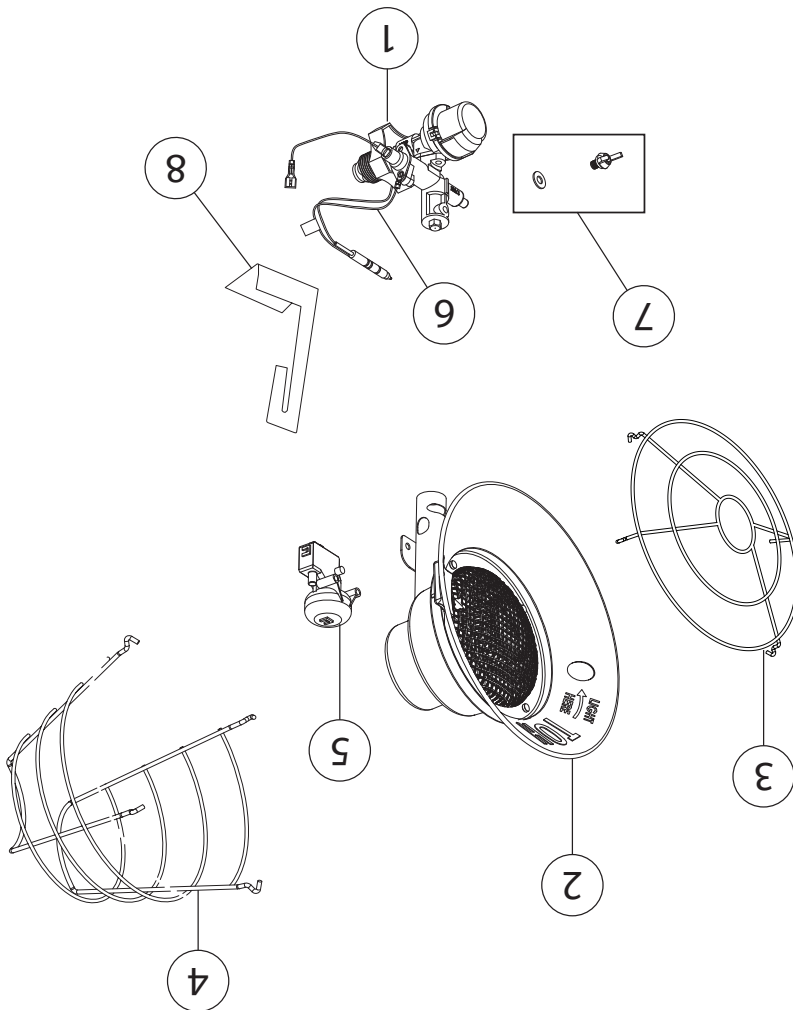
Ciè	Partie	Description	Qté
1	81384	Assemblage de soupape de commande	1
2	894002	Ensemble de tête de brûleur	2
3	894003	Ensemble de garde avant	2
4	894004	Ensemble de garde arrière	2
5	80918	Commutateur de pointe	2
6	80919	Thermocouple/Tip Switch Wire Assy.	2
7	831041	Boulon à oreilles avec rondelle en fibre	2
8	894006	Support de collier de réservoir	1

AFIN DE CONSERVER LA GARANTIE, LES COMPOSANTS DOIVENT ÊTRE REMPLACÉS À L'AIDE DES PIÈCES D'ORIGINE DU FABRICANT ACHETÉES AUPRÈS DE VOTRE REVENDEUR OU DIRECTEMENT AUPRÈS DU FABRICANT DE L'APPAREIL. L'UTILISATION DE COMPOSANTS TIERS ANNULERA LA GARANTIE.



AVERTISSEMENT : Ne laissez jamais le radiateur sans surveillance lorsqu'il fonctionne. Débranchez le radiateur de sa source de combustible lorsque vous ne l'utilisez pas.

HF15TT LISTE DES PIÈCES



Ciè	Partie	Description	Qté
1	81383	Assemblage de soupape de commande	1
2	894002	Ensemble de tête de brûleur	1
3	894003	Ensemble de garde avant	1
4	894004	Ensemble de garde arrière	1
5	80918	Commutateur de pointe	1
6	80919	Thermocouple/Tip Switch Wire Assy.	1
7	831041	Boulon à oreilles avec rondelle en fibre	1
8	894005	Jambe de soutien	1

AFIN DE CONSERVER LA GARANTIE, LES COMPOSANTS DOIVENT ÊTRE REMPLACÉS À L'AIDE DES PIÈCES D'ORIGINE DU FABRICANT ACHETÉES AUPRÈS DE VOTRE REVENDEUR OU DIRECTEMENT AUPRÈS DU FABRICANT DE L'APPAREIL. L'UTILISATION DE COMPOSANTS TIERS ANNULERA LA GARANTIE.



AVERTISSEMENT : Ne laissez jamais le radiateur sans surveillance lorsqu'il fonctionne. Débranchez le radiateur de sa source de combustible lorsque vous ne l'utilisez pas.

OPÉRATION

INSTRUCTIONS D'EXTINCTION ET DE RANGEMENT

- A. La valve « on-off » de la bouteille de propane doit TOUJOURS être complètement tournée sur « OFF » quand le chauffage n'est pas utilisé.
- B. Lors de l'extinction du chauffage, tournez le bouton de réglage sur « OFF » (sens des aiguilles d'une montre).
- C. PRUDENCE: après avoir éteint l'appareil, le chauffage reste extrêmement chaud. Laissez refroidir l'appareil au moins 15 minutes avant de le manipuler et de le ranger. Enlevez la bouteille de propane avant manipulation et rangement. RAPPÊL: La pièce de fixation standard POL comporte un pas à gauche.
- D. RANGEMENT DU CHAUFFAGE: Le rangement à l'intérieur est autorisé seulement si la bouteille est déconnectée et retirée du chauffage. Les recharges doivent être stockées à l'extérieur, hors de la portée des enfants et ne doivent pas être stockées dans un bâtiment, dans un garage ou tout autre endroit clos. Stockez les recharges toujours en accord avec les normes en vigueur pour le stockage et la manipulation des gaz à pétrole liquéfié ANSI/NFPA 58 et CSA B 149.1, code d'installation pour les appareils à gaz naturel et propane.
- E. Voir la section « Liste des pièces » de ce manuel.

ENTRETIEN

- A. Retirez le boulon qui retient le thermocouple derrière l'ensemble de brûleurs. Retirez les écrous.
- B. Notez la position du thermocouple dans la plaque de support derrière l'ensemble de brûleurs. Enlevez le thermocouple.
- C. Retirez l'écran papillon et la rondelle en fibre qui retiennent la valve de coupure de sécurité et l'ensemble brûleur.
- D. Faites glisser la valve de coupure de sécurité hors de l'ensemble brûleur .
- E. Séparez la buse de brûleur de la valve de coupure de sécurité (6).
- F. Nettoyez la buse à l'air comprimé (551.6 kPa (80 psi) maxi).
- G. Dirigez l'air comprimé à travers la buse du brûleur en direction de la chambre de répartition de l'air du brûleur afin d'expulser la poussière collectée sur la grille. Gardez le visage éloigné de la grille.
- H. Assemblez de nouveau le chauffage dans l'ordre inverse de l'ordre de démontage.



AVERTISSEMENT : Ne laissez jamais le radiateur sans surveillance lorsqu'il fonctionne. Débranchez le radiateur de sa source de combustible lorsque vous ne l'utilisez pas.

INSTRUCTIONS D'ALLUMAGE

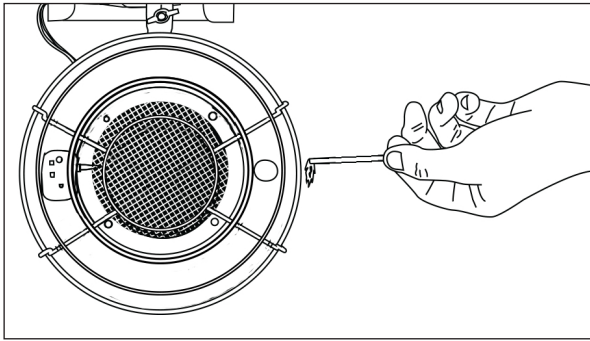
Avant d'essayer d'allumer le chauffage, vérifiez tous les raccordements et connexions avec une solution savonneuse NE JAMAIS UTILISER D'ALLUMETTE POUR CHERCHER LES FUITES S'il y a une fuite, n'essayez pas de réparer ou d'utiliser le chauffage. Renvoyez le chauffage chez votre fournisseur ou à l'adresse indiquée à la dernière page.

Combustible – ce chauffage doit être utilisé uniquement avec des bouteilles de GPL à collecteur de vapeur. LA BOUTEILLE DOIT ÊTRE ÉQUIPÉE AVEC UNE VALVE POL STANDARD.

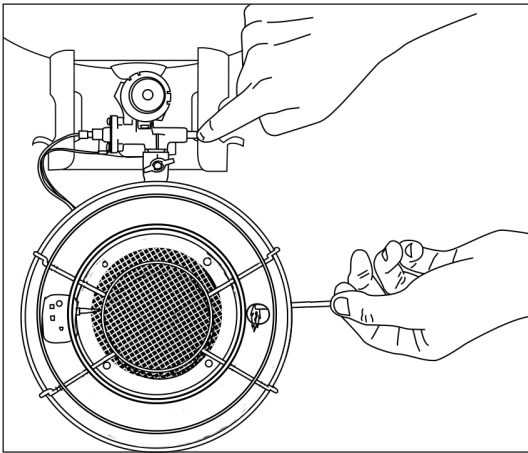
ATTENTION: UTILISER DU PROPANE HDS UNIQUEMENT. NE PAS UTILISER D'AUTRE TYPE DE COMBUSTIBLE. CONTACTEZ VOTRE FOURNISSEUR DE PROPANE SI VOUS AVEZ UNE QUESTION CONCERNANT LE COMBUSTIBLE.

1. Tournez le bouton du régulateur «Hi-Med-Low-Off» du radiateur sur «Hi» (sens antihoraire). Tenez-vous à côté de l'appareil pendant l'éclairage. Ne vous tenez pas debout ou n'avez aucune partie du corps au-dessus ou devant le radiateur pendant l'allumage.

2. Placez une allumette allumée dans le trou situé sur le côté gauche du réflecteur arrière.



3. Appuyez et maintenez enfoncé le bouton de la vanne situé sur la vanne d'arrêt de sécurité. Une fois le radiateur allumé, maintenez le bouton de la valve enfoncé pendant 30 secondes, puis relâchez-le lentement. ATTENTION : N'APPUYEZ PAS SUR LE BOUTON DE LA VALVE AVANT D'INSÉRER L'ALLUMETTE ALLUMÉE. NE JAMAIS SE TENIR DEVANT LE CHAUFFAGE PENDANT L'ALLUMAGE.



4. Si le brûleur ne s'allume pas dans les 30 secondes, tournez le bouton du régulateur du radiateur sur «Off» (dans le sens des aiguilles d'une montre) et attendez au moins cinq minutes pour que le gaz se dissipe avant d'essayer de le rallumer.

5. REMARQUE : Si l'orifice est obstrué, comme indiqué par un faible volume de gaz lors du fonctionnement sur « Hi » avec une bouteille pleine, ou si le réchauffeur ne fonctionne pas correctement pour une raison quelconque, renvoyez le réchauffeur au revendeur ou à l'adresse indiquée dans ce manuel. Pour réparation ou remplacement. N'ESSAYEZ PAS DE RÉPARER OU DE MODIFIER LE CHAUFFAGE.

6. Réglez la puissance calorifique en tournant le bouton à la position désirée.

N'UTILISEZ PAS CET APPAREIL POUR LA CUISSON.



AVERTISSEMENT : Ne laissez jamais le radiateur sans surveillance lorsqu'il fonctionne. Débranchez le radiateur de sa source de combustible lorsque vous ne l'utilisez pas.

UNE INFORMATION IMPORTANT

- H. SURVEILLANCE DE L'APPAREIL DE CHAUFFAGE: ne laissez pas l'appareil fonctionner sans surveillance. TOUJOURS ALLUMER L'APPAREIL DE CHAUFFAGE AVEC UNE ALLUMETTE OU UN ALLUMAGE « SPARKLITE »: NE TENTEZ JAMAIS d'allumer l'appareil de chauffage avec un allumoir à pierre.

- J. NE MODIFIEZ PAS L'APPAREIL: Si l'appareil n'offre pas un rendement adéquat, par exemple s'il produit peu ou pas de chaleur lorsque la commande est en position élevée (Hi), ou pour toute autre raison, NE TENTEZ PAS DE LE RÉPARER OU DE LE MODIFIER. Toute modification pourrait compromettre le fonctionnement sécuritaire de l'appareil et pourrait constituer un danger. Remplacez l'appareil de chauffage au revendeur ou à l'adresse indiquée en dernière page pour le faire réparer ou remplacer.

- K. ENTREPOSAGE: La valve de régulation Hi-Med-Lo-Off doit toujours être fermée lorsque l'appareil de chauffage n'est pas utilisé. Laissez refroidir l'appareil au moins 15 minutes avant de le manipuler et de le ranger. Démontez la bonbonne de propane de l'appareil de chauffage avant l'entreposage. N'entreposez PAS les bonbonnes de propane à l'intérieur ou à proximité d'une flamme nue ni d'une source de chaleur.

- L. NE TRANSPORTER PAS ET NE DÉPLACEZ PAS LA BONBONNE PENDANT QUELLE ALIMENTE L'APPAREIL. OBSERVEZ LES INSTRUCTIONS SUR L'ARRÊT ET L'ENTREPOSAGE DE L'APPAREIL POUR LE TRANSPORTER OU LE DÉPLACER.

VENTILATION

- A. AVERTISSEMENT: Cet appareil de chauffage n'est pas ventilé et DOIT être utilisé UNIQUEMENT dans un endroit bien aéré. NE TENTEZ JAMAIS de faire fonctionner l'appareil de chauffage dans un véhicule, une roulotte, une tente ou un endroit fermé.
- B. POUR UN USAGE NON RÉSIDENTIEL À L'INTÉRIEUR OU UN USAGE À L'EXTÉRIEUR. Tout processus de combustion requiert et consomme de l'oxygène et produit du monoxyde de carbone. CET APPAREIL DE CHAUFFAGE DOIT ÊTRE UTILISÉ DANS UN ENDROIT BIEN AÉRÉ. Ne l'utilisez pas dans une maison, à l'intérieur d'une maison, une roulotte, une tente ou dans n'importe quel endroit clos ou mal aéré.

- C. ATTENTION: Prévoyez une ventilation adéquate. Cet appareil de chauffage consomme de l'air (oxygène). N'utilisez pas cet appareil de chauffage dans un endroit non ventilé pour ne pas mettre votre vie en danger. Prévoyez une ventilation supplémentaire si vous utilisez d'autres appareils à combustion et s'il y a des occupants supplémentaires.
- D. Les flux d'air de combustion et de ventilation ne doivent jamais être obstrués.

ÉCART MINIMAL ENTRE L'APPAREIL ET TOUTE MATIÈRE COMBUSTIBLE

- A. En fonctionnement, les surfaces du chauffage sont extrêmement chaudes. Conservez les sacs de couchages, vêtements et tout matériau inflammable à une distance minimale du chauffage comme indiqué.

BTU/Hr Taux		Procédure				Zone de sécurité des combustibles	
Modèle	Gaz Propane	normal de mise en marche	À partir de C.L. De Htr. Au Sol	Devant	Côtés	Arrière	Plafond
NMTT15	15,000	Vertical	24po	30po	30po	30po	30po
NMTT30	30,000	Vertical	24po	30po	30po	30po	36po

- B. ATTENTION: pour éviter les blessures ou les dégâts matériels, ne laissez jamais de vêtements, tente, ou autre matériau inflammable à une distance de 75 cm (30") devant le chauffage. Ce chauffage doit être situé au moins à 60 cm (24") du sol quand il fonctionne. Ne le laissez jamais en fonctionnement pendant votre sommeil.
- C. ATTENTION: ne jamais diriger la sortie de chaleur de ce chauffage en direction d'une bouteille de propane dans un rayon de 6 mètres (20 feet).



AVERTISSEMENT : Ne laissez jamais le radiateur sans surveillance lorsqu'il fonctionne. Débranchez le radiateur de sa source de combustible lorsque vous ne l'utilisez pas.

UNE INFORMATION IMPORTANT

- Même si vous n'êtes pas correctement formé à l'utilisation et à la maintenance des chauffages, soyez TOUJOURS conscient des odeurs de propane (GPL) et de gaz naturel.
- Si vous n'avez pas été correctement formé à l'utilisation et à la maintenance des installations utilisant le propane (GPL), n'essayez pas d'allumer, de réparer ou de régler un chauffage avec un système alimenté au gaz propane (GPL).
- Un test périodique autour du chauffage, ou des joints du chauffage ; c.-à-d. détendeurs, connexions, etc., est une bonne pratique de sécurité dans tous les cas. Si vous sentez même une petite quantité de gaz, CONTACTEZ IMMÉDIATEMENT VOTRE FOURNISSEUR DE GAZ. N'ATTENDEZ PAS!

RENSEIGNEMENTS GÉNÉRAUX

- A. Ces unités sont des appareils au propane à haute pression et sont conçues pour être connectées à un réservoir de propane en vrac.
- B. Ces appareils de chauffage sont équipés d'une vanne de sûreté à fermeture automatique. L'alimentation en gaz s'arrête automatiquement si l'appareil de chauffage ne fonctionne pas pour quelque raison que ce soit.
- C. Le manodétendeur, ou valve de régulation (Hi-Med-Lo), est pratique et offre un fonctionnement sécurisé. Le tableau suivant indique la puissance approximative de l'appareil en BTU et le nombre d'heures de fonctionnement avec une bonbonne de gaz propane.
- D. Ces chauffages sont pour le chauffage temporaire de bâtiments en construction, modifications, ou réparation.

Modèle	HF15TT		HF30TT	
Position de la valve	Puissance en BTU	Heures avec une bonbonne de 9,07 kg (20 lb)	Puissance en BTU	Heures avec une bonbonne de 9,07 kg (20 lb)
Hi!	15,000	28	30,000	14
Med	12,000	36	24,000	18
Lo	10,000	43	10,000	43

POUR UN FONCTIONNEMENT SÉCURITAIRE

- A. LISEZ ATTENTIVEMENT LES INSTRUCTIONS: lisez et observez ces instructions. Interdisez à quiconque n'ayant pas lu les présentes instructions d'assembler, d'allumer, de régler ou de faire fonctionner l'appareil de chauffage.

ATTENTION: GARDER LE CHAUFFAGE HORS DE LA PORTÉE DES ENFANTS

- B. L'utilisation de l'appareil doit respecter les codes du bâtiment de votre localité ; en l'absence de tels codes, se conformer à la norme sur l'entreposage et la manutention des gaz pétroliers liquéfiés, ANSI/NFPA 58 et CSA B 149.1, Code d'installation pour les appareils à gaz naturel et propane.

- C. LE PROPANE EST EXTRÊMEMENT INFLAMMABLE: En cas de fuite, le propane s'accumule dans la pièce, ce qui présente un risque d'incendie. Le propane dégage une forte odeur facile à déceler. N'allumez jamais une allumette, ne vous éclairez pas avec une flamme nue et ne produisez aucun arc électrique dans un endroit fermé où des odeurs de gaz propane sont décelées. Ventilez complètement l'endroit, sortez l'appareil à l'extérieur, puis repérez et corrigez l'origine de la fuite avant d'allumer tout appareil. Si vous avez des doutes sur ces instructions, évacuez immédiatement les lieux et demandez de l'aide.

- D. FUIITE DE GAZ: Si la fuite ne peut être colmatée, ne modifiez pas l'appareil de chauffage, observez plutôt les instructions pour couper l'alimentation en gaz et renvoyez l'appareil au revendeur ou à l'adresse indiquée sur la dernière page.

ATTENTION: N'UTILISEZ PAS CET APPAREIL DE CHAUFFAGE AVEC UNE BONBONNE DE GAZ LIQUÉFIÉ DE PLUS DE 9,07 KG (20 LB) (CAPACITÉ EN EAU DE 22,68 KG (50 LB)).


- E. DÉTECTION DE FUIITE: avant chaque utilisation, appliquez une solution d'eau savonneuse sur les raccords pour déceler des fuites. N'UTILISEZ JAMAIS UNE FLAMME POUR DÉTECTER DES FUITES.
- F. RACCORDEMENT DE L'APPAREIL À LA BONBONNE DE PROPANE: raccordez toujours l'appareil de chauffage à une bonbonne à l'extérieur ou dans un endroit bien aéré. Ne raccordez JAMAIS cet appareil de chauffage à la bonbonne à proximité d'une flamme nue.
- G. UTILISATION DE L'APPAREIL DE CHAUFFAGE: faites toujours fonctionner l'appareil en plaçant la bonbonne à la verticale sur une surface plane non combustible. Ne placez JAMAIS la bonbonne sur le côté lorsque l'appareil fonctionne.

AVERTISSEMENT : Ne laissez jamais le radiateur sans surveillance lorsqu'il fonctionne. Débranchez le radiateur de sa source de combustible lorsque vous ne l'utilisez pas.



UNE INFORMATION IMPORTANT

MESSAGE D'AVERTISSEMENT SUR LA DISSIPATION DE L'ODEUR

 AVERTISSEMENT
RISQUE D'ASPHYXIE

- CET APPAREIL NE DOIT PAS ÊTRE UTILISÉ POUR LE CHAUFFAGE DE LOCAUX OÙ DEMEURENT DES GENS.
- NE L'UTILISEZ PAS DANS DES ENDROITS NON AÉRÉS.
- LE DÉBIT DE CHALEUR ET D'AIR DE VENTILATION NE DOIT PAS ÊTRE OBSTRUÉ.
- LE PROCESSUS DE COMBUSTION DE CET APPAREIL EXIGE UN APPORT ADEQUAT EN AIR DE VENTILATION.
- CONSULTEZ LA RUBRIQUE PORTANT SUR LES SPÉCIFICATIONS TECHNIQUES DANS LE MANUEL DE L'APPAREIL OU SUR LA PLAQUE DE DONNÉES DE L'APPAREIL, OU COMMUNIQUÉES AVEC LE FABRICANT POUR OBTENIR LES RENSEIGNEMENTS RELATIFS AUX EXIGENCES EN APPORT D'AIR DE VENTILATION POUR LA COMBUSTION.
- LE PROCESSUS DE COMBUSTION NE PEUT S'EFFECTUER CORRECTEMENT SI L'APPORT EN AIR DE VENTILATION EST INSUFFISANT.
- UNE COMBUSTION INADÉQUATE PRODUIT DES ÉMANATIONS NOCIVES DE MONOXYDE DE CARBONE POUVANT ENTRAÎNER DES TROUBLES DE SANTÉ GRAVES, VOIRE MORTELS. LES SYMPTÔMES D'EMPOISONNEMENT AU MONOXYDE DE CARBONE SONT LES MAUX DE TÊTE, LES ÉTOURDISSEMENTS ET LA DIFFICULTÉ RESPIRATOIRE.

ODEUR DES GAZ COMBUSTIBLES

Le GPL et le gaz naturel contiennent des odorants de synthèse ajoutés spécialement pour détecter les fuites de gaz combustibles. S'il y a une fuite de gaz, vous devriez être en mesure de la sentir. Comme le Propane est plus lourd que l'air, vous devriez sentir son odeur à même le sol. LA MOINDRE ODEUR DE GAZ EST LE SIGNAL POUR AGIR IMMÉDIATEMENT!

- Ne faites rien qui pourrait allumer le combustible. N'utilisez pas d'interrupteur électrique. N'utilisez pas de batterie ou de câbles. N'allumez pas d'allumette ou n'importe quelle autre source de flamme. N'utilisez pas votre téléphone.
- Faites évacuer le bâtiment et éloigner les personnes immédiatement.
- Fermez toutes les bouteilles de propane (GPL) ou les valves d'approvisionnement en carburant, ou la valve d'arrivée principale située au compteur si vous utilisez du gaz naturel.
- Le propane est plus lourd que l'air et peut s'accumuler dans les zones basses. Quand vous avez une raison de suspecter une fuite de gaz, évitez les zones basses.
- Utilisez le téléphone de votre voisin et appelez votre fournisseur de gaz et les pompiers. Ne rentrez pas à nouveau dans le bâtiment ou la zone.
- Restez en dehors du bâtiment et éloigné de la zone tant qu'elle n'a pas été sécurisée par les pompiers et votre fournisseur de gaz.
- ENFIN, laissez le personnel de votre fournisseur de gaz et les pompiers chercher le gaz échappé. Faites-leur aérer le bâtiment ou la zone avant de revenir. Des techniciens correctement formés doivent réparer chaque fuite, vérifier l'absence d'autres fuites, et ensuite rallumer votre appareil.

DISSIPATION D'ODEUR - AUCUNE ODEUR DÉTECTÉE

- Certaines personnes ne peuvent pas bien sentir. Certaines personnes ne peuvent pas sentir l'odeur des substances de synthèse ajoutées au propane (GPL) ou au gaz naturel. Vous devez déterminer si vous pouvez sentir les odorants de ces gaz combustibles.
- Apprenez à reconnaître l'odeur du propane (GPL) et du gaz naturel. Les fournisseurs locaux de gaz seront ravis de vous faire découvrir et sentir un échantillon. Profitez-en pour vous familiariser avec les odeurs de gaz combustibles.
- Fumer peut diminuer votre capacité à sentir. Être en présence d'une odeur pendant une longue période peut affecter votre sensibilité à cette odeur particulière. Les odeurs présentes dans les bâtiments abritant des animaux peuvent masquer les odeurs de gaz.
- L'odorant dans le propane (GPL) et dans le gaz naturel est incolore et l'intensité de son odeur peut disparaître dans certaines circonstances. S'il y a une fuite souterraine, le déplacement du gaz à travers le sol peut filtrer l'odorant.
- L'odeur du propane (GPL) peut changer en intensité à différents niveaux. Comme le propane (GPL) est plus lourd que l'air, il peut y avoir plus d'odeur dans les bas niveaux.
- Soyez toujours être attentif à la plus légère odeur de gaz. Si vous continuez à détecter une odeur de gaz, même infime, une fuite importante menace. Agissez immédiatement comme indiqué précédemment.

ATTENTION: POINTS ESSENTIELS À MÉMORISER

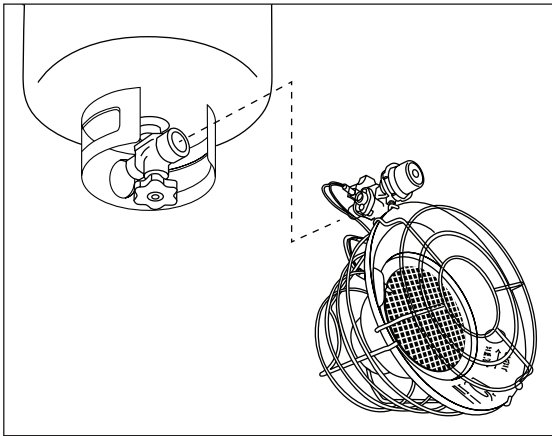
- Le propane à une odeur distinctive. Apprenez à reconnaître ces odeurs. (Reportez-vous aux sections Odeur des gaz combustibles et Dissipation d'odeur ci-contre et ci-dessus).

AVERTISSEMENT : Ne laissez jamais le radiateur sans surveillance lorsqu'il fonctionne. Débranchez le radiateur de sa source de combustible lorsque vous ne l'utilisez pas.

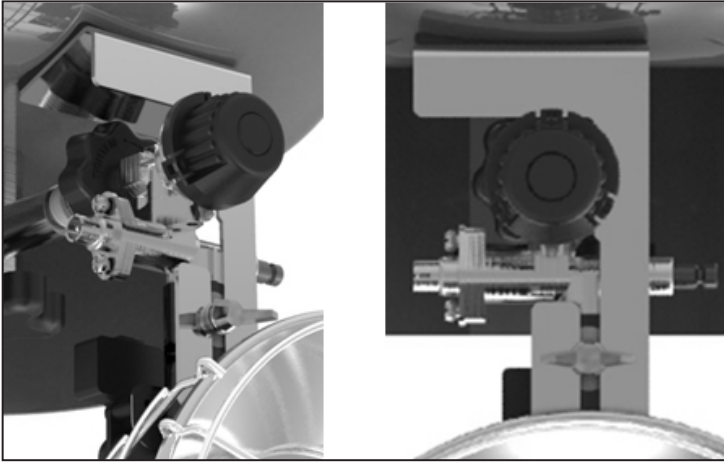


MODÈLE À UN BRÛLEUR

1. Assurez-vous que l'appareil de chauffage dirige la chaleur loin de la bonbonne de gaz propane. Insérez le connecteur de la valve de régulation dans le raccord de sortie de la valve de la bonbonne et vissez à gauche (sens inverse des aiguilles d'une montre) aussi loin que possible. Ne serrez pas trop fort.



2. Desserrez l'écrou à oreilles situé sur le tube venturi. Placez le support du radiateur autour du venturi et posez le bas du support du radiateur sur la bouteille de propane. Serrez l'écrou à oreilles précédemment desserré pour fixer le support du radiateur sur le tube venturi.



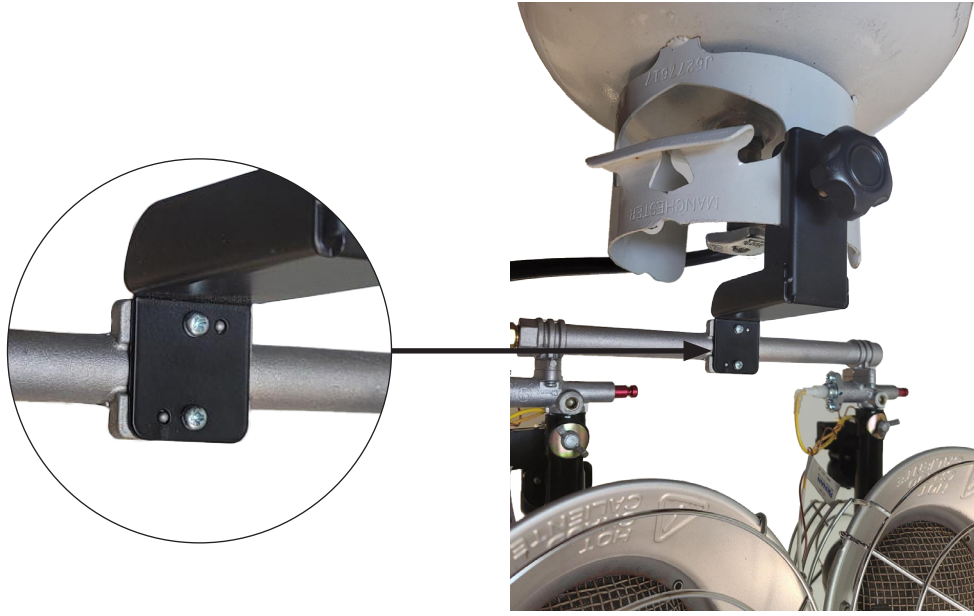
3. L'appareil doit toujours être sur une surface plane et stable.
 4. Ouvrez lentement la valve de la bonbonne de propane.
 5. Vérifiez l'étanchéité de tous les raccords. Appliquez un mélange à 50/50 d'eau et de savon liquide sur tous les joints. La formation de bulles indique une fuite sur le raccord. Réglez les problèmes de fuite avant de poursuivre.
- ATTENTION: POUR ÉVITER LES BLESSURES, NE TOUCHEZ JAMAIS À L'APPAREIL DE CHAUFFAGE PENDANT QU'IL FONCTIONNE. DÉPLACEZ L'APPAREIL DE CHAUFFAGE EN SAISISANT LA BONBONNE DE PROPANE AVEC PRÉCAUTION.**

6. L'appareil de chauffage doit être inspecté avant chaque utilisation et au moins une fois par an par un technicien d'entretien qualifié.
7. L'ensemble de tuyau doit être inspecté visuellement avant l'utilisation du réchauffeur. S'il est évident qu'il y a une abrasion ou une usure excessive, ou que le tuyau est coupé, il doit être remplacé avant de mettre le réchauffeur en marche. Le flexible de remplacement doit être un flexible tel qu'indiqué dans la liste des pièces.
8. La pression minimum d'entrée est 137,9 kPa (20 psi).
9. La pression maximum d'entrée est 827,4 kPa (120 psi) (équivalent à une température ambiante de 24 °C [75 °F]).

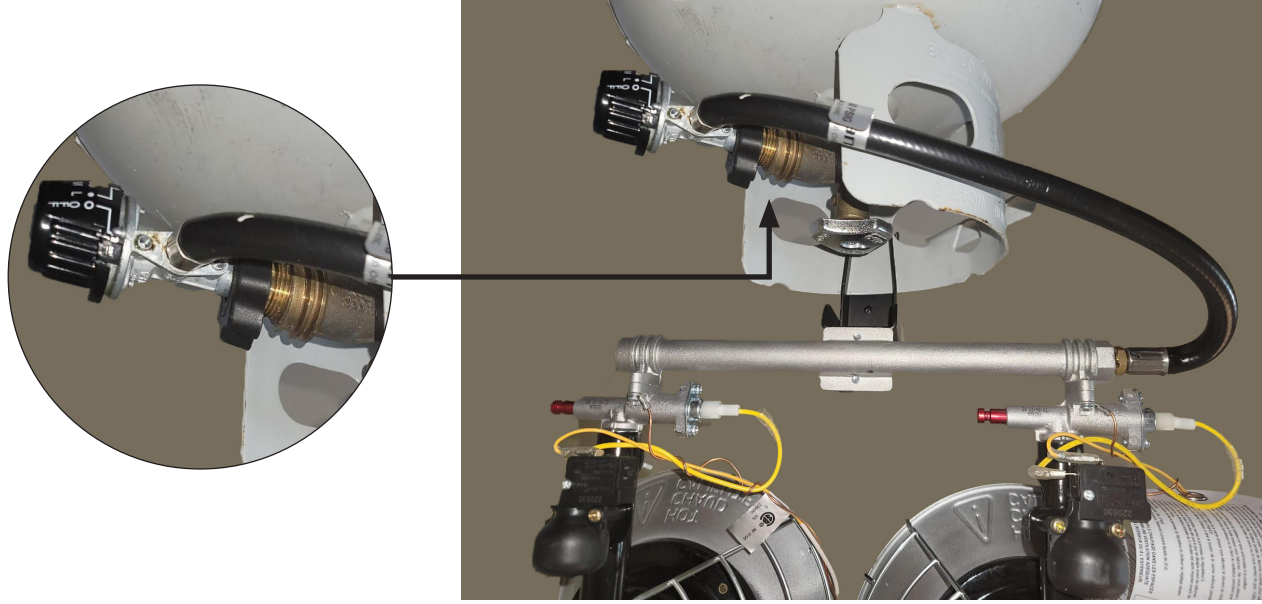
AVERTISSEMENT : Ne laissez jamais le radiateur sans surveillance lorsqu'il fonctionne. Débranchez le radiateur de sa source de combustible lorsque vous ne l'utilisez pas.



3. Alignez les trous de boulons du support du collier du réservoir avec les trous de boulons situés sur la plaque centrale du collecteur. À l'aide des vis précédemment retirées, fixez le collecteur de plaque centrale au support de collier. **REMARQUE** : Le réchauffeur **DOIT** être orienté à l'opposé du réservoir une fois qu'il a été fixé au support du collier. Assurez-vous que le support de l'interrupteur de pointe se trouve entre le support du collier du réservoir et la plaque centrale du collecteur.



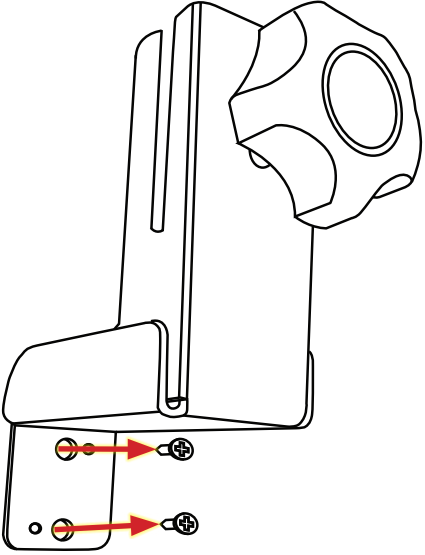
4. Assurez-vous que le régulateur de chauffage est en position «OFF». Insérez le connecteur du régulateur dans la valve du réservoir et tournez à gauche (dans le sens inverse des aiguilles d'une montre) avec la main autant que possible. Ne pas trop serrer.



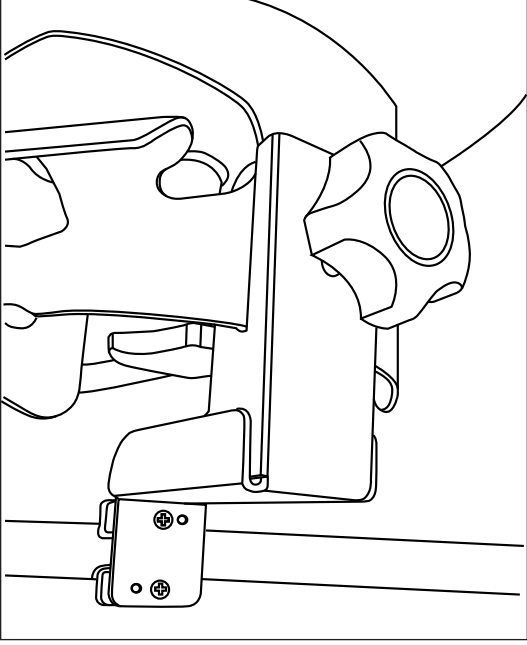
- Les bouteilles de propane (réservoirs) ne sont pas incluses avec ces appareils de chauffage.
- Déballiez l'appareil de chauffage.
- Utilisez uniquement des bonbonnes de gaz liquéfié fabriquées spécifiquement pour le gaz propane (HD-5) arborant une étiquette indiquant les spécifications des bonbonnes de gaz liquéfié du Département du Transport des États-Unis (DOT SPEC. 39).
- Cet appareil de chauffage doit être utilisé avec une bonbonne de gaz liquéfié à évacuation sous forme vapeur équipée d'une valve POL standard. N'utilisez pas cet appareil de chauffage avec des bonbonnes de gaz liquéfié de plus de 9,07 kg (20 lb) (capacité en eau de 22,68 kg (50 lb)).

MODE DOUBLE BRÛLEUR

1. Utilisez un tournevis cruciforme pour retirer les deux vis situées dans le support du collier. Réserver pour une utilisation ultérieure.



2. Placez le support de collier sur le réservoir de collier de réservoir avec le support de réservoir positionné à l'extérieur du collier du réservoir. Fixez fermement le support du collier au réservoir en serrant à la main le bouton du boulon de montage. Ne pas trop serrer.



AVERTISSEMENT : Ne laissez jamais le radiateur sans surveillance lorsqu'il fonctionne. Débranchez le radiateur de sa source de combustible lorsque vous ne l'utilisez pas.



INFORMATION DE SÉCURITÉ

Canada - Limite d'exposition de courte durée/STEL (15 minutes, régl. 833/1 heure, WSCB), directives de Santé et Sécurité au Travail de la Colombie-Britannique, partie 5.1, et règlement 833 de Santé et Sécurité au Travail de l'Ontario

CO	100 ppm
CO ₂	15 000 pm (WSCB) 30 000 ppm (Reg 833)
NO ₂	1,0 ppm (WorkSafeBC) 5,0 ppm (Reg 833)

L'installation de cet appareil à des altitudes de plus 610 mètres (2 000 pi) doit être conforme aux codes locaux, ou en leur absence, au code National Fuel Gas Code ANSI Z223.1/NFPA 54 ou à la Norme nationale du Canada, Code d'installation du gaz naturel et du propane, CSA B149.1.

États-Unis - Moyenne pondérée dans le temps sur 8 heures (OSHA 29 CFR 1926.55 App A)

CO	50 ppm
CO ₂	5000 ppm
NO ₂	

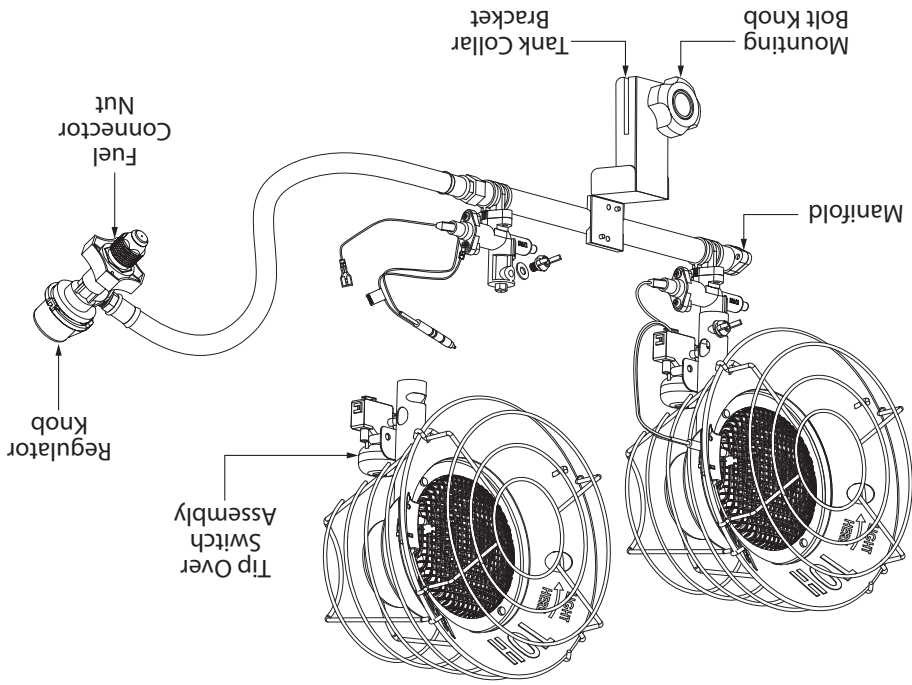
États-Unis - Seuil supérieur (Limite d'exposition de courte durée = 15 minutes)

CO	
CO ₂	
NO ₂	5 ppm

Canada - Moyenne pondérée dans le temps sur 8 heures Directives de Santé et Sécurité au travail de la Colombie-Britannique, partie 5.1, et règlement 833 de Santé et Sécurité au travail de l'Ontario

CO	50 ppm
CO ₂	5000 pm
NO ₂	3 ppm (Reg 833)

CARACTÉRISTIQUES DU CHAUFFAGE PORTATIF



AVERTISSEMENT : Ne laissez jamais le radiateur sans surveillance lorsqu'il fonctionne. Débranchez le radiateur de sa source de combustible lorsque vous ne l'utilisez pas.



INFORMATION DE SÉCURITÉ

AVERTISSEMENT:

VOTRE SÉCURITÉ PERSONNELLE ÉTANT IMPORTANTE POUR TOUS, VEUILLEZ LIRE LES INSTRUCTIONS AVANT D'UTILISER CET APPAREIL DE CHAUFFAGE.

AVERTISSEMENT GÉNÉRAL DE DANGER:

- LE NON-RESPECT DES MESURES DE PRÉVENTION ET INSTRUCTIONS FOURNIES AVEC CET APPAREIL DE CHAUFFAGE RISQUE DE CAUSER LA MORT, DES BLESSURES GRAVES ET DES DOMMAGES OU DES PERTES MATÉRIELLES RÉSULTANT D'INCENDIE, D'EXPLOSION, DE BRÛLURE, D'ASPHYXIE, D'INTOXICATION AU MONOXYDE DE CARBONE OU D'ÉLECTROCUTION.
- SEULES LES PERSONNES APTES À COMPRENDRE ET À RESPECTER LES INSTRUCTIONS DEVAIENT UTILISER OU EFFECTUER L'ENTRETIEN DE CET APPAREIL DE CHAUFFAGE.
- SI VOUS AVEZ BESOIN D'AIDE OU D'INFORMATION AU SUJET DE L'APPAREIL DE CHAUFFAGE (MANUEL D'INSTRUCTIONS, ÉTIQUETTES, ETC.), VEUILLEZ COMMUNIQUER AVEC LE FABRICANT.

NON CONÇU POUR UNE UTILISATION DANS LA MAISON OU UN VÉHICULE RÉCRÉATIF.

AVERTISSEMENT:

DANGER D'INCENDIE, D'EXPLOSION ET D'INHALATION CONSERVEZ LES MATÉRIAUX COMBUSTIBLES TELS QUE LES MATÉRIAUX DE CONSTRUCTION, LE PAPIER ET LE CARTON À UNE DISTANCE SÉCURITAIRE DE L'APPAREIL DE CHAUFFAGE COMME LE RECOMMANDENT LES INSTRUCTIONS. N'UTILISEZ JAMAIS L'APPAREIL DE CHAUFFAGE DANS UN LOCAL QUI CONTIENT OU RISQUE DE CONTENIR DES PARTICULES COMBUSTIBLES EN SUSPENSION DANS L'AIR OU DES PRODUITS TELS QUE DE L'ESSENCE, DES SOLVANTS, DU DILUANT À PEINTURE, DES PARTICULES DE POUSSIÈRE OU DES PRODUITS CHIMIQUES INCONNUS.

AVERTISSEMENT

L'ÉTAT DE LA CALIFORNIE IMPOSE L'AVERTISSEMENT SUIVANT

L'UTILISATION DE CET APPAREIL CRÉE DES SOUS PRODUITS DE COMBUSTION CONTENANT DU MONOXYDE DE CARBONE, UN PRODUIT CHIMIQUE RECONNU PAR L'ÉTAT DE LA CALIFORNIE COMME CAUSE DE CANCER ET D'ANOMALIES CONGÉNITALES (OU AUTRES RISQUES POUR LA REPRODUCTION), CET APPAREIL CONTIENT DES PRODUITS CHIMIQUES RECONNUS PAR L'ÉTAT DE CALIFORNIE COMME POUVANT CAUSER LE CANCER ET DES MALFORMATIONS CONGÉNITALES OU AUTRES DOMMAGES AU SYSTÈME REPRODUCTEUR.

Le chauffage est conçu et approuvé pour nous comme, un chauffage de construction et conformément à ANSI Z83.7-2017 CSA 2.14-2017. Vérifiez avec votre autorité de sécurité de feu locale si vous avez des questions à propos des applications. D'autres normes gouvernementales d'utilisation de gaz du combustible et produits produisant chaleur et applications spécifiques. Vos autorités locales peuvent vous conseiller de ces normes.

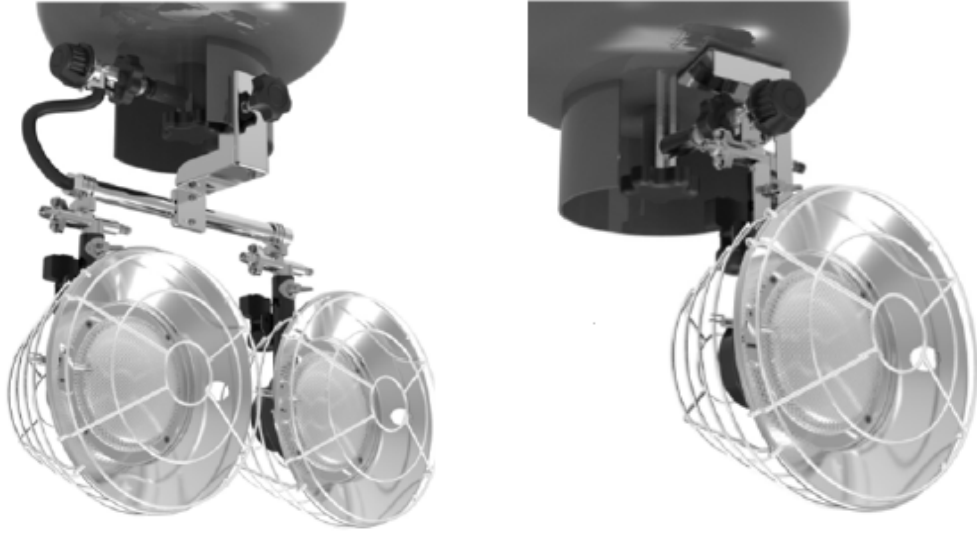
AVERTISSEMENT : Ne laissez jamais le radiateur sans surveillance lorsqu'il fonctionne. Débranchez le radiateur de sa source de combustible lorsque vous ne l'utilisez pas.



**RÉCHAUFFEUR DE
 RÉSERVOIR INFRA-ROUGE
 À GAZ**

HEATFAST®

MODELE HF15TT / HF30TT



CYLINDRE NON INCLUS

AVERTISSEMENT: Le non-respect des instructions, telles qu'indiquées dans le présent guide, risque d'entraîner une explosion ou un incendie entraînant des dommages matériels ou des blessures graves, voire mortelles.

- N'entreposez ni n'utilisez d'essence ou autres liquides ou vapeurs inflammables à proximité de ce type d'appareil.
 - Aucune bonne de propane liquéfié non raccordée pour utilisation ne doit se trouver à proximité de cet appareil, ni d'aucun autre appareil.
- EN PRÉSENCE D'UNE ODEUR DE GAZ:**
- Ne tentez pas d'allumer l'appareil de chauffage.
 - Éteignez toute flamme nue.
 - Fermez l'alimentation en gaz à l'appareil.

L'entretien doit être effectué par un fournisseur de services d'entretien qualifié.

VEUILLEZ LIRE ATTENTIVEMENT LES INSTRUCTIONS: Veuillez lire et suivre toutes les directives. Conservez ces instructions dans un endroit sécuritaire pour vous y référer ultérieurement. Ne permettez pas à quiconque n'ayant pas lu les présentes instructions d'assembler, d'allumer, de régler ou de faire fonctionner cet outil.

Cet appareil de chauffage portatif alimenté au gaz n'est pas ventilé. Il utilise l'oxygène de l'air ambiant. Une circulation d'air adéquate doit être assurée pour la combustion et la ventilation.