

---



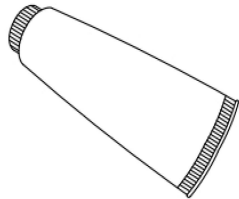
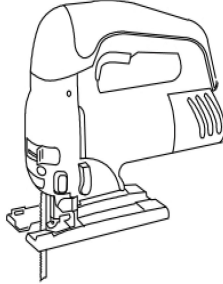
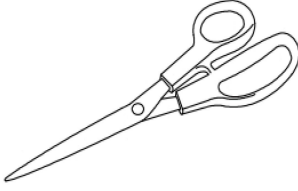

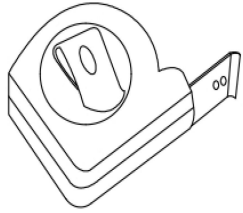
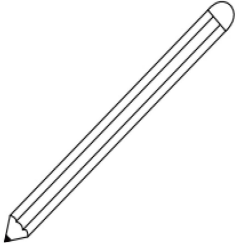
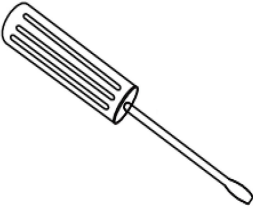
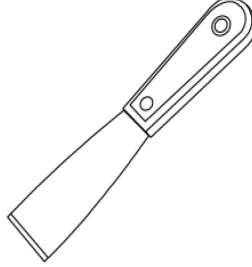
# Installation Instructions

# Apron Front Fireclay Kitchen Sink



Tools you will need:

---

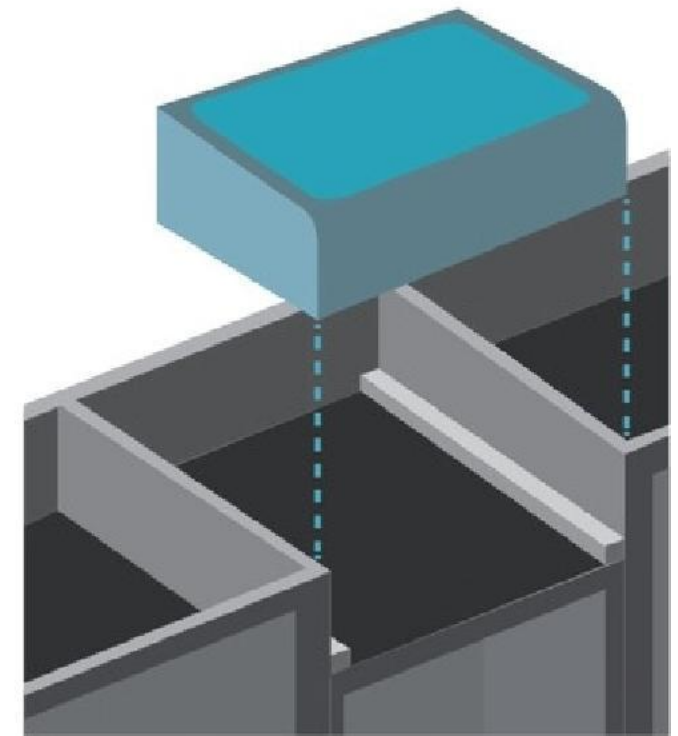
				
Safety Goggles	Drill	Silicone Adhesive	Jig Saw	Scissors
				
Phillips Screwdriver	Tape Measure	Pencil	Screwdriver	Putty Knife

**Note:** Specialized tools may be necessary to install fireclay kitchen sinks with countertop materials other than wood, marble or granite

---

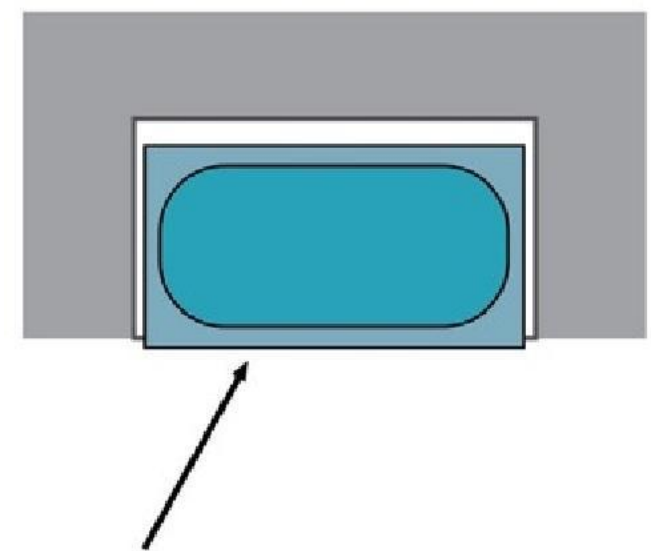
## PREPARE THE CABINET

- Farmhouse sink may require custom cabinetry. We recommend consulting an experienced cabinet maker for assistance. Providing the cabinet maker with the actual sink that is to be installed will ensure a custom fit.
- Allow clearance for the water supply lines, drains and a garbage disposal, if applicable. Build a support frame or install support bars from front to back along the inner sides of the cabinet. The frame must support the weight of the sink and all attachments.
- The support frame should be positioned so that when installed, the sink is in line and level with the top of the cabinet.



## TEMPLATE AND CUTOUT

- No template is provided since each sink will vary dimensionally. After centering the sink, trace the outline of the sink on the counter-top with a pencil to use as a guide for the cutout. Remember to allow clearance for any faucets and/or backsplashes. Cut the counter-top accordingly.



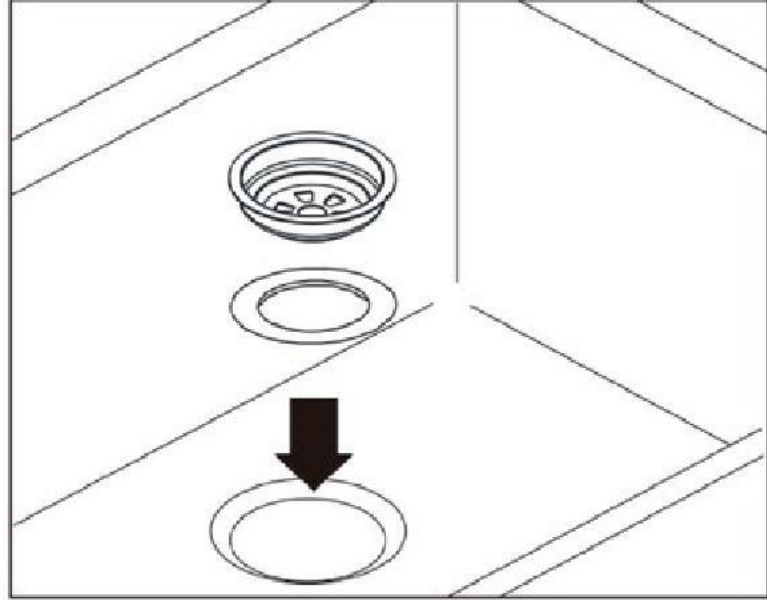
## FINAL PLACEMENT

- Test fit the sink in the opening that was created in the previous steps. The entire weight of the sink should be supported by the support frame. Verify that the sink is in line and level with the top of the cabinet. Use shims, if needed, to level the sink.

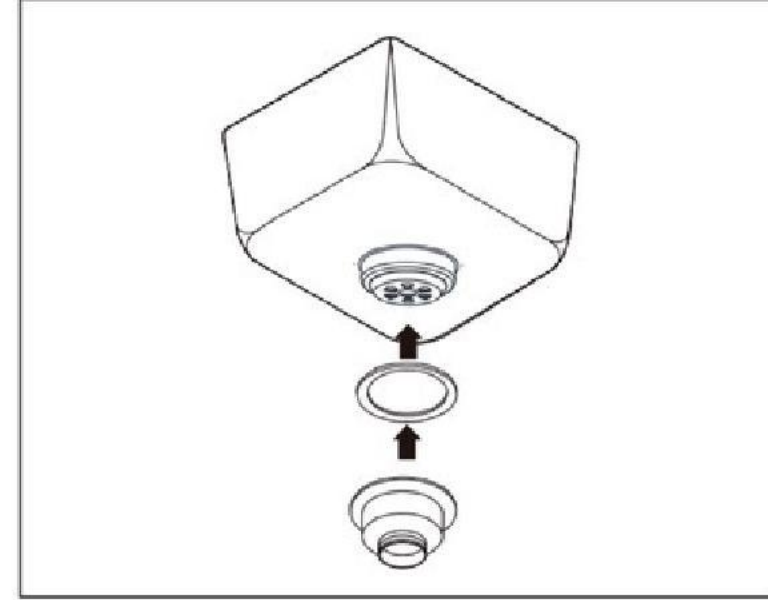
Set the sink and apply your sealant to fill in any gaps below the sink front, and between the sink and counter-top. Hold the sink in place to secure. Place the counter-top onto the sink and remove any excess sealant from all surfaces.



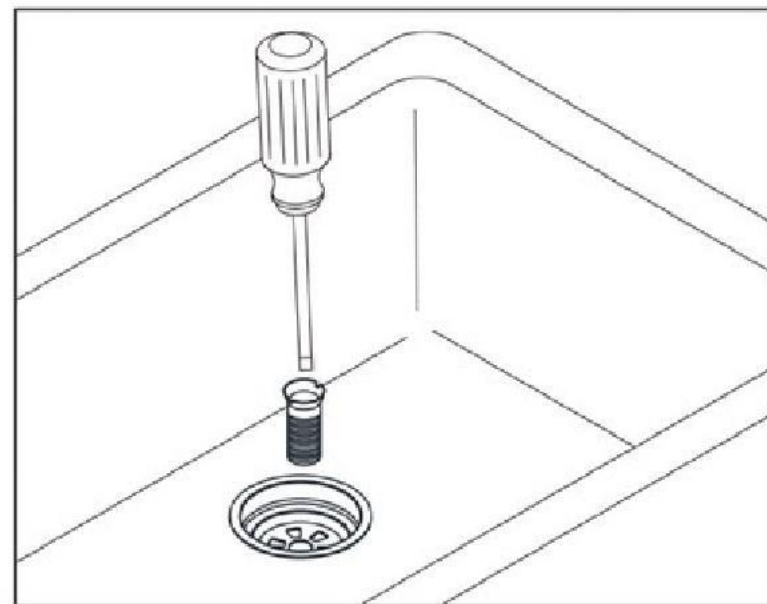
## Strainer Installation Guide



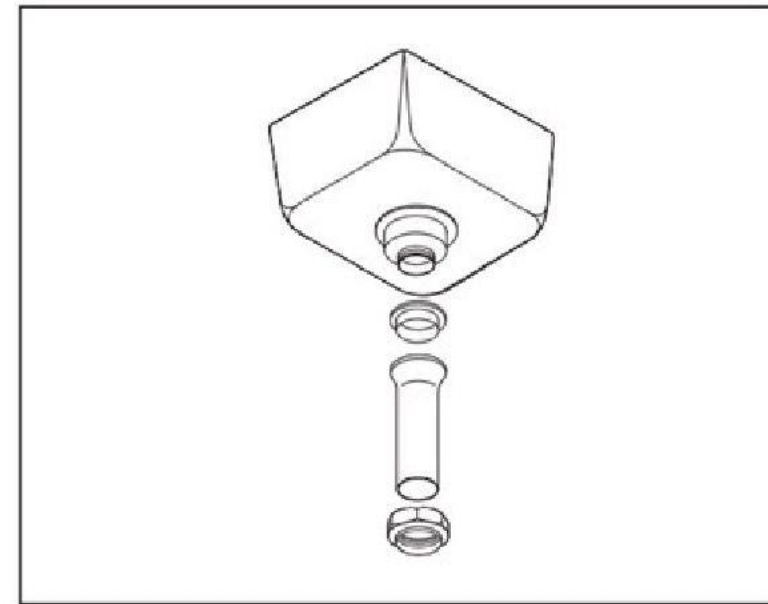
Step1: Taking apart the sink strainer, put the upper strainer body and white gasket into the sink hole



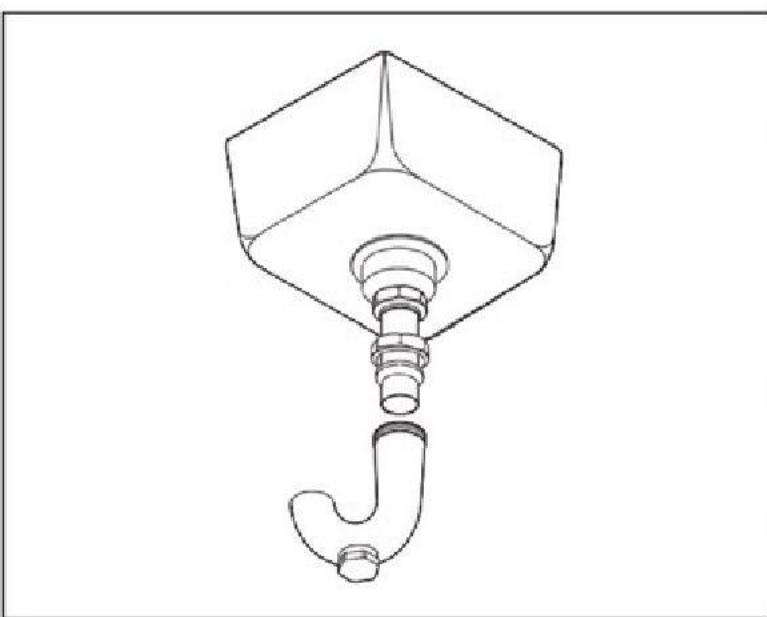
Step2: Put the lower strainer and black gasket connect to the upper part under the sink.



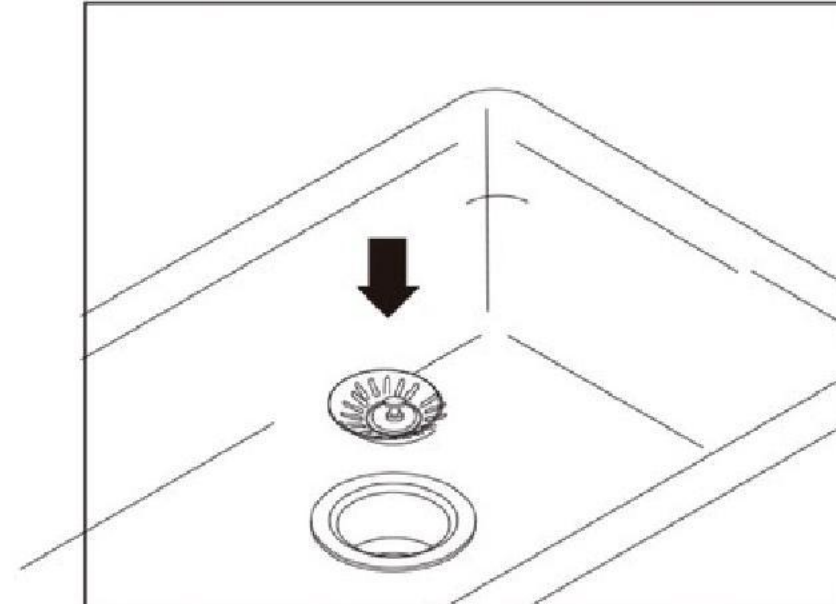
Step3: Fix the upper and lower parts with screws



Step4: Connect the draintail-piece



Step5: Connect the trap. Run water and check for leaks.



Step 6: Insert the basket.

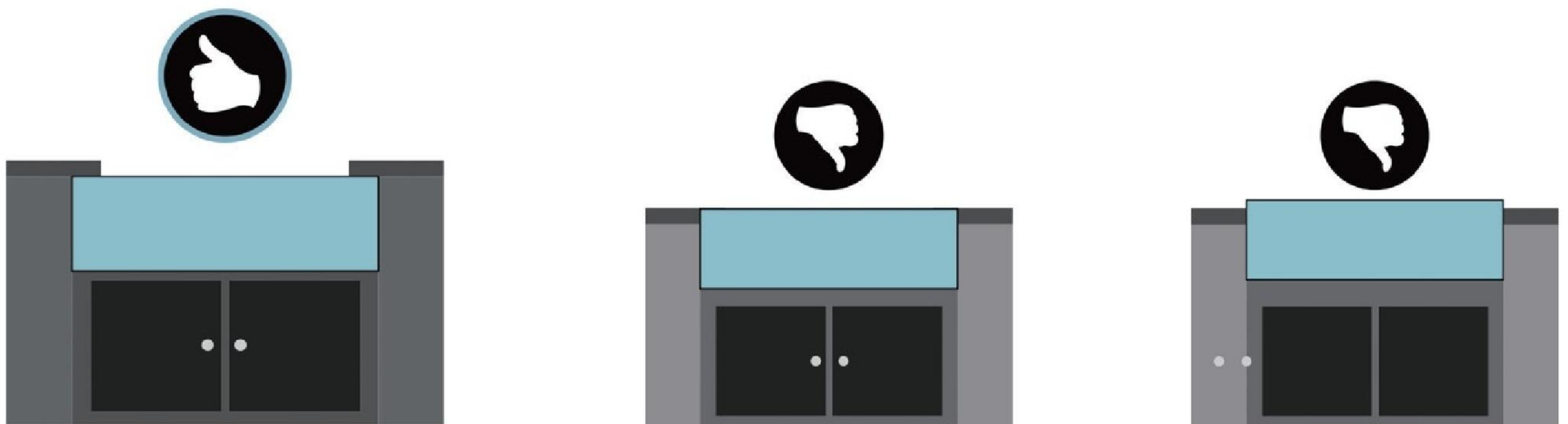
Installation tools are not provided, please choose the appropriate installation tools



---

## INSTALLATION OPTIONS

- We recommend undermount sink installation. Flushmount and builtup installation are not recommended.
- Ensure there is adequate room for the faucet and backsplash installations.



## INSTRUCTIONS

- Unpack and inspect the sink for any shipping damages and ensure that none of the required pieces are missing. If you find any damages, do not install.
- Due to the manufacturing process, each sink will vary slightly dimensionally. Farmhouse sink may require custom cabinetry. We recommend consulting an experienced cabinet maker for assistance. Providing the cabinet maker with the actual sink to be installed will ensure a custom fit.
- Please use assistance when lifting the sink in order to avoid personal injury.
- We recommend consulting a professional if you are unfamiliar with installing kitchen fixtures and plumbing. Alwen accepts no liability for any damages to the floor, walls, plumbing or personal injury during installation.