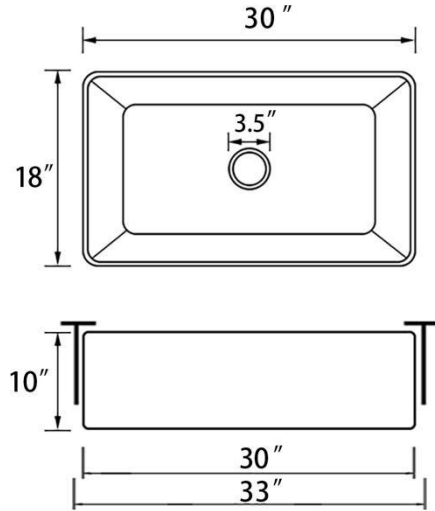


Sinber Fireclay Kitchen Sink

F3018S-B-OL



Minimum Base Cabinet: 33 inches
Sink Net Weight: 79.4 lbs

| F3018S-B-OL Black Fireclay Rectangle Farmhouse Kitchen Sink | | | |
|---|-----------------------|---|--------------------------------------|
| Installation Type | Apron | Sink Shape | Rectangle |
| Primary Material | Fireclay | Finish | Black |
| Overflow Hole | No | Basin | 28.6" L x 16.6" W x 9.3" D |
| Overall | 30" L x 18" W x 10" H | Overall Product Weight | 79.4 lb. |
| Faucet Included | No | P-Trap Included | No |
| Number of Faucet Holes | 0 | Drain Placement | Center |
| cUPC Certificates | Yes | Supplier Intended and Approved Use | Residential Use; Non Residential Use |
| Installation Required | Yes | Warranty | Lifetime Limited |
| Package Includes: Sink, Drain Assembly, Sink Grid (Stainless Steel), Product Specification, Installation Instructions, Mounting Hardware, Warranty and Cut-out Template. | | | |