



## PELLET HEATER

### OWNER'S MANUAL

**⚠ WARNING: FOR OUTDOOR USE ONLY**

ASSEMBLY AND OPERATING INSTRUCTIONS

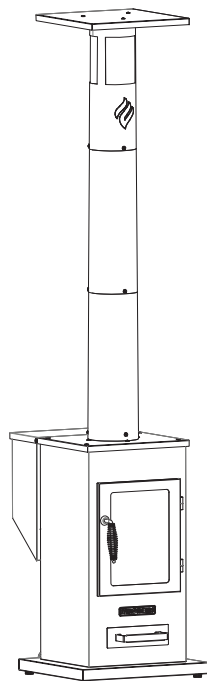
SAVE THIS MANUAL FOR FUTURE REFERENCE

## Model HTR4010AS

**NOTICE TO  
INSTALLER:**  
LEAVE THESE  
INSTRUCTIONS  
WITH THE  
HEATER OWNER  
FOR FUTURE  
REFERENCE.

### ⚠ WARNING

PLEASE READ THIS ENTIRE MANUAL BEFORE INSTALLATION AND USE OF THIS PELLET FUEL-BURNING APPLIANCE. FAILURE TO FOLLOW THESE INSTRUCTIONS COULD RESULT IN PROPERTY DAMAGE, BODILY INJURY OR EVEN DEATH. CONTACT LOCAL BUILDING OR FIRE OFFICIALS ABOUT RESTRICTIONS AND INSTALLATION INSPECTION REQUIREMENTS IN YOUR AREA. SAVE THESE INSTRUCTIONS.



# IMPORTANT SAFETY WARNINGS

WE WANT YOU TO ASSEMBLE AND USE YOUR HEATER AS SAFELY AS POSSIBLE.

THE PURPOSE OF THIS SAFETY ALERT SYMBOL 

IS TO ATTRACT YOUR ATTENTION TO POSSIBLE HAZARDS AS YOU ASSEMBLE AND USE YOUR HEATER.

WHEN YOU SEE THE SAFETY ALERT SYMBOL, PAY CLOSE ATTENTION TO THE INFORMATION WHICH FOLLOWS!

 **READ ALL SAFETY WARNINGS AND INSTRUCTIONS CAREFULLY  
BEFORE ASSEMBLING AND OPERATING YOUR HEATER.**

## **WARNING**

1. Improper installation, adjustment, service or maintenance can cause injury or property damage.
2. Read all instructions and guidelines carefully and thoroughly before installation, use or service.
3. Failure to follow these instructions could result in fire.

## **WARNING**

Maintain a safe distance away from the heater as it is extremely hot during operation. Children and pets should be supervised at all times when the heater is lit.

## **DANGER**

 **NOT for use in or on boats or recreation vehicles.**

## **DANGER**




1. Do not store or use gasoline, liquid propane or any other flammable vapors or liquids in the vicinity of this appliance.


**A MAJOR CAUSE OF FIRES IS FAILURE TO MAINTAIN REQUIRED CLEARANCES (AIR SPACES TO COMBUSTIBLE MATERIALS). IT IS OF UTMOST IMPORTANCE THAT THIS PRODUCT BE INSTALLED ONLY IN ACCORDANCE WITH THESE INSTRUCTIONS.**

# TABLE OF CONTENTS:


General Warnings . . . . .	3-4
Operating the Heater . . . . .	4-5
Proper Care and Maintenance . . . . .	6
Transporting and Storage. . . . .	6
Assembly Instructions . . . . .	7-14
Warranty Information . . . . .	Back Cover

 **DANGER:** Indicates an imminently hazardous situation which, if not avoided, will result in death or serious injury.

 **WARNING:** Be alert to the possibility of serious bodily injury if the instructions are not followed. Be sure to read and carefully follow all of the messages.

 **CAUTION:** Indicates a potentially hazardous situation which, if not avoided, may result in minor or moderate injury.

## CALIFORNIA PROPOSITION 65 WARNING

 **WARNING:** This product can expose you to chemicals, including carbon monoxide, which are known to the State of California to cause birth defects or other reproductive harm.

*For more information go to [www.P65Warnings.ca.gov](http://www.P65Warnings.ca.gov)*

 **WARNING: CONTAINS LEAD. MAY BE HARMFUL IF EATEN OR CHEWED. COMPLIES WITH FEDERAL STANDARDS. KEEP OUT OF REACH OF CHILDREN.**

For covers, accessories and other products, please visit us at:  
[www.evenembers.com](http://www.evenembers.com)

# GENERAL WARNINGS:

## WARNING

When using, basic safety precautions should always be followed including the following:

- Always place heater on a level non-combustible surface.
- Operate only per manufacturers instructions.
- Keep all combustible materials at least 36 inches (66 cm) away from the heater at all times. Do not use this heater under any overhang or near any combustible structures.
- Minimum clearance from side and back of unit to combustible materials, 36 inches (66 cm) from side and 36 inches (66 cm) from back.
- DO NOT use on wood decks. Set up this heater on a hard, non-combustible smooth level surface.
- Keep a fire extinguisher on hand. Refer to your local authority to determine proper size and type.
- Creosote – Formation and need for removal. When wood pellets are burned slowly, they produce tar and other organic vapors that combine with expelled moisture to form creosote. The creosote vapors condense in a relatively cool oven flu and exhaust hood of a slow burning fire. As a result, creosote residue accumulates on the flue lining and exhaust hood. When ignited, this creosote makes an extremely hot fire.
- Do not attempt to touch heater during use. Use handles or knobs.
- Alert both children and elders to the hazard of high surface temperatures.
- Never leave appliance unattended. Hot while in operation. Keep children, clothing and furniture away. Contact may cause burns.
- Do not use accessories or attachments not recommended by the manufacturer, as they may not be compatible with this appliance, and may cause damage or injury.
- Do not use this appliance for anything other than its intended use.
- NEVER add cooking pellets to a hot fire pot by hand. You could be seriously burned. If the hopper runs out of pellets or your fire goes out, let the heater completely cool before relighting.
- Use only wood pellets. (cooking grade or heating grade wood pellets)
- Always store wood pellets away from heat.
- NEVER use gasoline, gasoline-type lantern fuel, or similar liquids to start or “freshen up” a fire in this appliance. Keep all such liquids well away from the appliance when in use.
- This heater is not for use indoors. Do not use inside a building, garage or any other enclosed area.
- This product is not designed for commercial use.
- Beware of high winds. This can knock over heater.
- This product is not designed for tabletop use. Do not set this product on a tabletop.
- Keep appliance clean. See Proper Care and Maintenance section for cleaning.
- Do not operate this heater while under the influence of drugs, alcohol, or while fatigued.
- Do not use in the presence of explosive or flammable gases, vapor or other substances.
- Do not use this heater unless it is completely assembled and all parts are securely fastened and tightened.
- Use only identical replacement parts.
- Do not attempt to move this appliance while it is in use.
- Do not use this product for indoor heating, as toxic fumes will accumulate.
- Keep heater covered when not in use - out of the reach of children. Do not clean this product with a water spray or the like.

**Follow these guidelines to prevent this colorless, odorless gas from poisoning you, your family or others.**

- Know the symptoms of carbon monoxide poisoning; headache, dizziness, weakness, nausea, vomiting, sleepiness and confusion. Carbon monoxide reduces the blood's ability to carry oxygen. Low blood oxygen levels can result in loss of consciousness and death.
- See a doctor if you or others develop cold or flu-like symptoms while cooking or in the vicinity of this appliance. Carbon monoxide poisoning, which can easily be mistaken for a cold or flu, is often detected too late.
- Alcohol consumption and drug use increase the effects of carbon monoxide poisoning.
- Carbon monoxide is especially toxic to mother and child during pregnancy, infants, the elderly, smokers and people with blood or circulatory system problems, such as anemia or heart disease.

**⚠ USE CAUTION AND COMMON SENSE WHEN OPERATING YOUR PELLET HEATER. FAILURE TO ADHERE TO THE SAFETY WARNINGS AND GUIDELINES IN THIS MANUAL COULD RESULT IN SEVERE BODILY INJURY OR PROPERTY DAMAGE. SAVE THIS MANUAL FOR FUTURE REFERENCE.**

## **OPERATING THE HEATER:**

### **⚠ WARNING**

**Read and follow all warnings and instructions contained in the preceding sections of this manual.**

### **BREAKING IN YOUR HEATER:**

- In manufacturing and preserving the components of your heater, oil residue may be present on the surfaces.
- Please follow the “Initial Lighting Instructions” to cure the paint on your heater.

### **⚠ WARNING**

- **DO NOT** leave your heater unattended while in use.
- **DO NOT** move heater when in use.

## LIGHTING THE HEATER:

### Initial Lighting Instructions (To be used on initial firing)

Push shut-off lever (inside the hopper) down, turn heat adjustment lever to low before filling hopper with pellets. Fill the hopper around ½ full. This one-time initial firing needs to be done to cure the paint on the unit. Put the heat adjustment lever on the LOW setting to limit the number of pellets in the firepot for the entire initial burn period. Having the heat adjustment lever on the HIGH setting on initial firing will result in very high temperatures and potentially damage your heater and voiding your warranty. Pull the shut off lever (inside the hopper) up and lock in place. Light the pellets and let it burn through all the pellets and allow the heater to cool down. You are now free to use the heater according to the remainder of these instructions. These initial lighting instructions allow the high temperature paint to cure properly. When curing, the paint will give off some smoke and this will happen for the first 15 minutes.

## OPERATING THE HEATER:

1. Make sure your heater has been assembled properly.
2. Push the shut-off lever down (inside pellet hopper).
3. Fill hopper with pellets. The pellets will not fall into the firepot at this point since the shut-off lever is closed.
4. Open the door and make sure the heat baffle is centered around the firepot
5. Pull the shut-off lever up and lock in place (inside pellet hopper). This will allow pellets to fall into firepot.
6. Squirt a small amount lighter fluid or gel onto the pellets and ignite with a butane lighter or match and close the door.
7. Once the pellets have caught fire after 5 minutes or so you can put the heat adjustment lever in the High or Low setting.
8. Keep the door closed when using the heater. If the door is open, the heater will lose its draft and the pellets will not burn properly.
9. Occasionally operate the ash clean-out handle to allow ash to drop into ash tray.
10. After several hours of use you may have excess pellets piled up at the bottom of the chute. If this happens, you will need to pull and push the ash clean-out lever, which is located in the back of the pellet heater, several times and/or use the ash clean-out tool to rake the pellets towards the front of the firepot. This only needs to be done after several hours of use to ensure maximum heat output.



## PROPER CARE & MAINTENANCE:

- Remove wood pellets from hopper if heater will not be used for a long period of time. Wood pellets can become soggy due to moisture/humidity and clog up the firepot and pellet chute.
- Disposal of ashes – Ashes should be placed in a metal container with a tight-fitting lid. The closed container of ashes should be placed on a non-combustible floor or on the ground, well away from all combustible materials, pending final disposal. When the ashes are disposed by burial in soil or otherwise locally dispersed, they should be retained in the closed container until all cinders have thoroughly cooled.
- To protect your heater from excessive rust, the unit must be kept clean and covered at all times when not in use.
- Clean inside and outside of heater by wiping off with a damp cloth. Rust spots on the interior surface can be buffed, cleaned, and sprayed with a high temperature paint. Soot buildup on the glass can easily be wiped off.
- Depending on use, periodically remove the firepot and baffle to clean the ash from in and around the fire pot. A shop-vac is handy for this chore. Make sure the heater is cold before starting this procedure.

### CLEANING AND MAINTENANCE:

- Keep the appliance free and clear of combustible materials, gasoline and other flammable vapors and liquids.
- For peak performance of your heater, perform these checks at least twice per year or after extended periods of storage.
- Be sure to tighten up all hardware (nuts, bolts, screws, etc.) at least twice per year.

**CAUTION:** Some parts may contain sharp edges. Wear protective gloves if necessary.

## TRANSPORTING AND STORAGE:

### **WARNING**

- **Never move a heater when it is hot.**
- **Never store flammable liquids or spray canisters under or near the heater.**

### BEFORE STORING YOUR HEATER:

- Clean all surfaces.
- If storing the heater outdoors, cover the heater for protection from the weather.
- If the heater is stored outside during the rainy season, care should be taken to ensure that water does not get into the pellet hopper. Wood pellets, when wet, expand greatly and will jam inside the hopper and chute.

# ASSEMBLY INSTRUCTIONS:

**⚠ READ ALL SAFETY WARNINGS & INSTRUCTIONS CAREFULLY  
BEFORE ASSEMBLING AND OPERATING YOUR EVEN EMBERS® PELLET HEATER.**

*FOR MISSING PARTS, PLEASE CALL CUSTOMER SERVICE AT 855-735-9922.  
(Proof of purchase will be required.)*

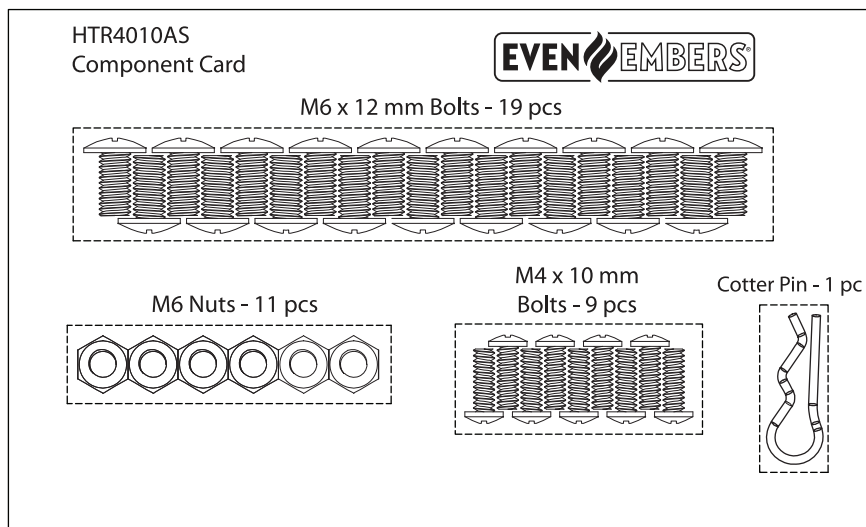
The following tools are required to assemble your Even Embers® Pellet Heater:

- **Phillips Screwdriver**

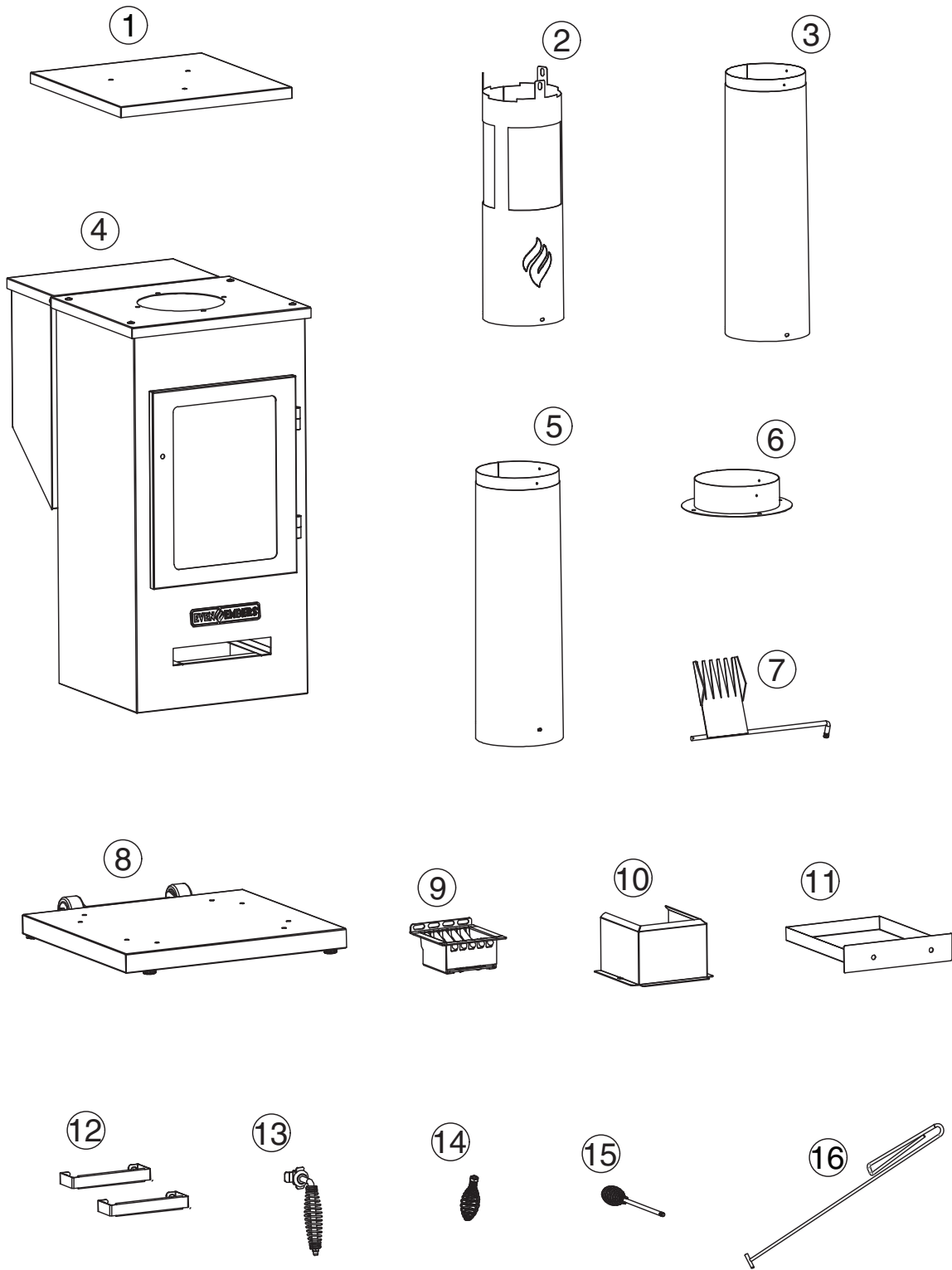
## PARTS LIST:

- |   |                         |   |                                   |
|---|-------------------------|---|-----------------------------------|
| ① | 1 Chimney Cap           | ⑨ | 1 Firepot                         |
| ② | 1 Upper Chimney         | ⑩ | 1 Heat Baffle                     |
| ③ | 1 Middle Chimney        | ⑪ | 1 Ash Tray                        |
| ④ | 1 Heater Body Assembly  | ⑫ | 2 Ash Tray Handle / Hopper Handle |
| ⑤ | 1 Lower Chimney         | ⑬ | 1 Door Latch                      |
| ⑥ | 1 Chimney Collar        | ⑭ | 1 Heat Adjustment Lever Handle    |
| ⑦ | 1 Heat Adjustment Lever | ⑮ | 1 Ash Clean-out Handle            |
| ⑧ | 1 Heater Base           | ⑯ | 1 Rake                            |

## PARTS CARD:







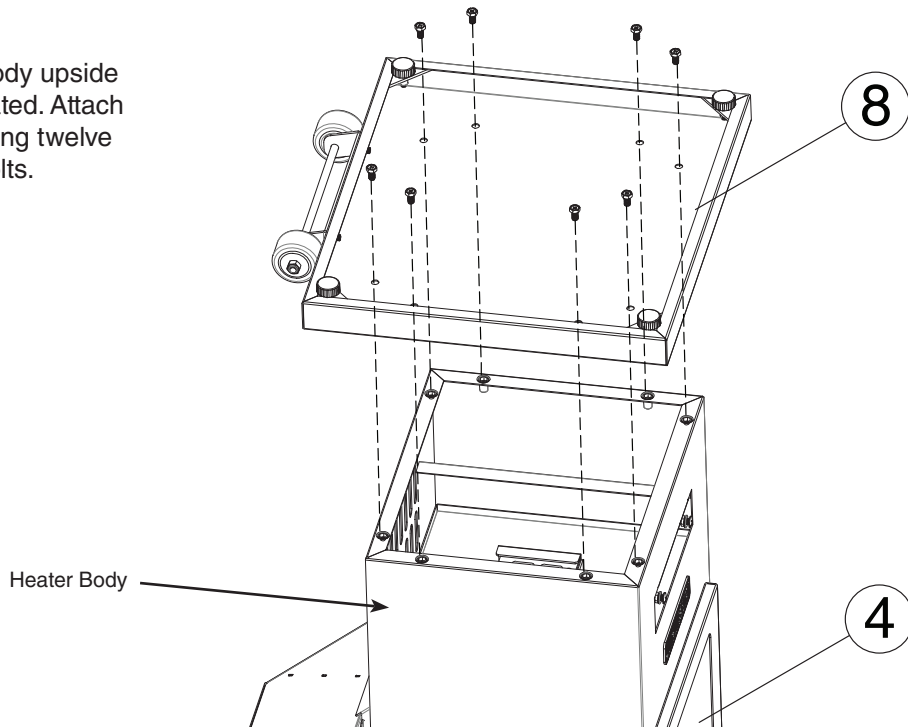
FOR COVERS, ACCESSORIES AND OTHER PRODUCTS, PLEASE VISIT US ONLINE AT:

[www.evenmembers.com](http://www.evenmembers.com)

Inspect contents of the box to ensure all parts are included and undamaged. Extra screws are included in a small bag with the owners manual.

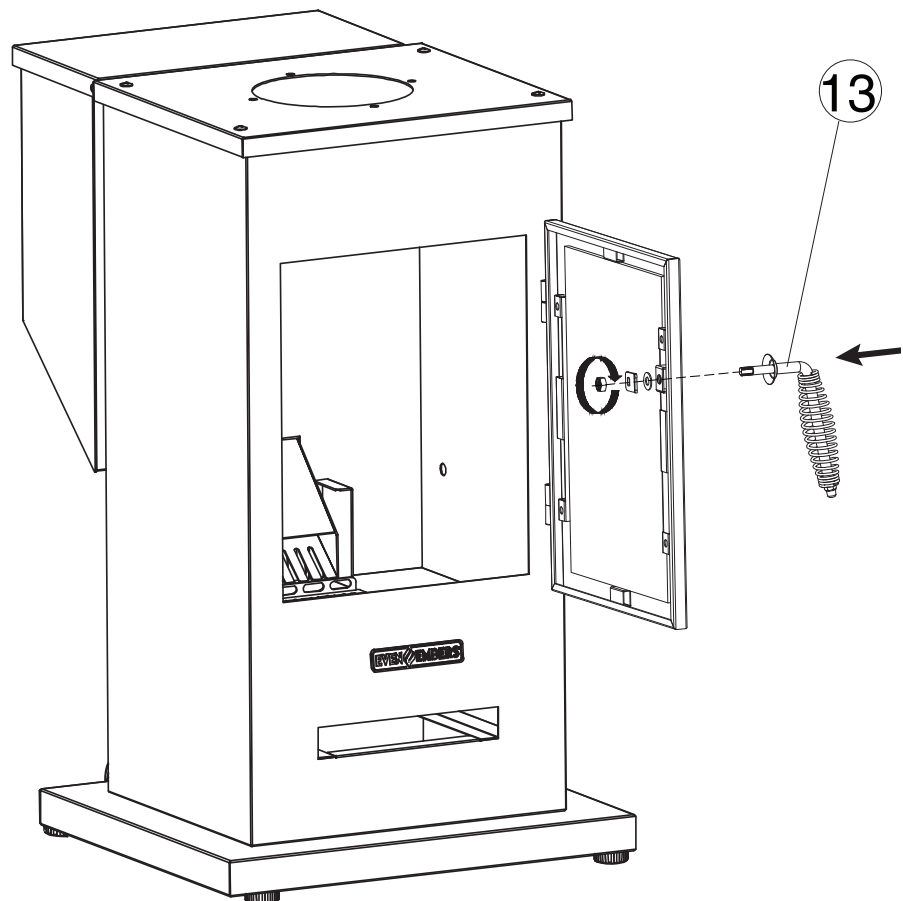
1

Place heater body upside down as illustrated. Attach heater base using twelve M6 x 12 mm bolts.



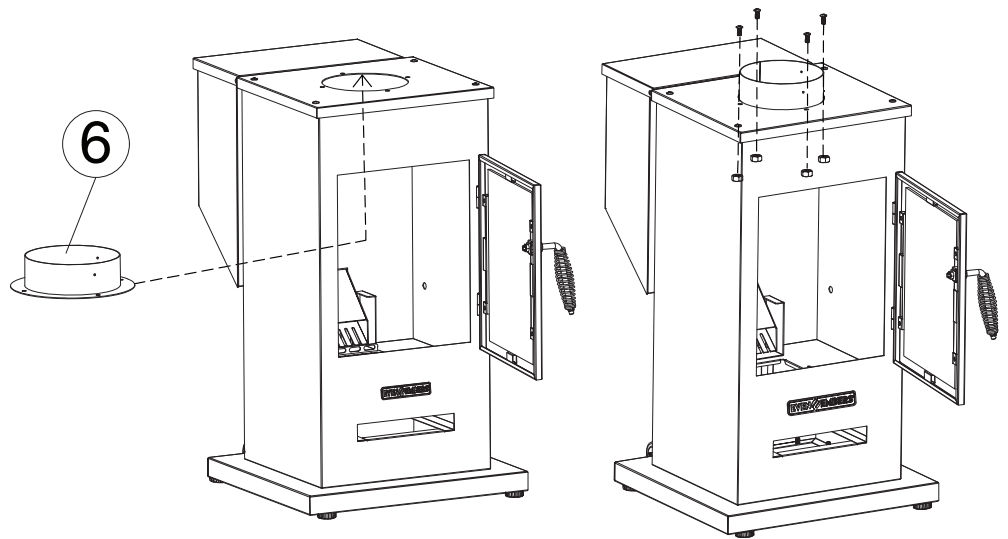
2

Install door latch using pre-installed bezel, lock washer, latch plate and M6 lock nut.



3

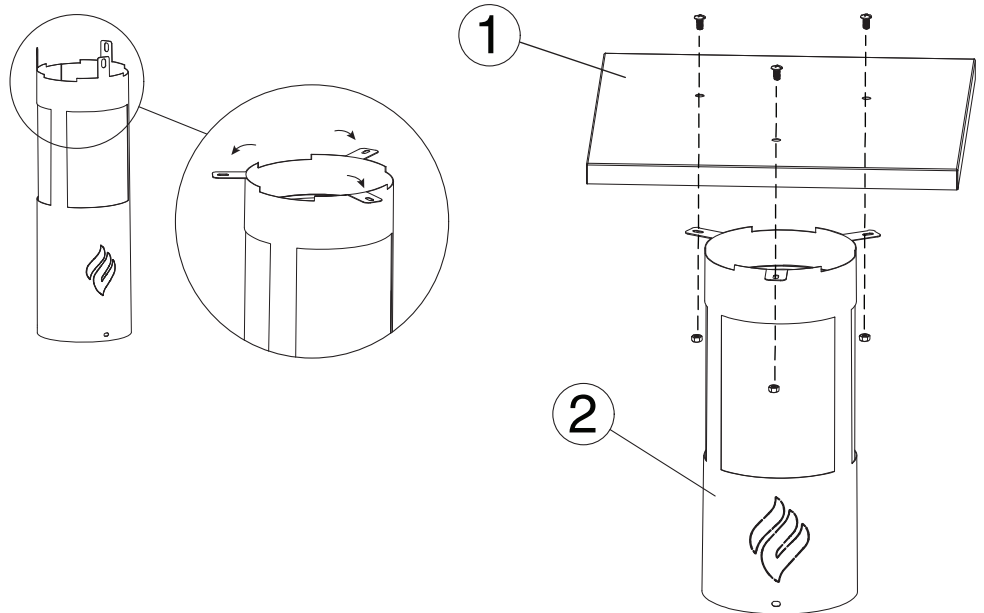
Install chimney collar using four M6 x 12 mm bolts and four M6 nuts.



4

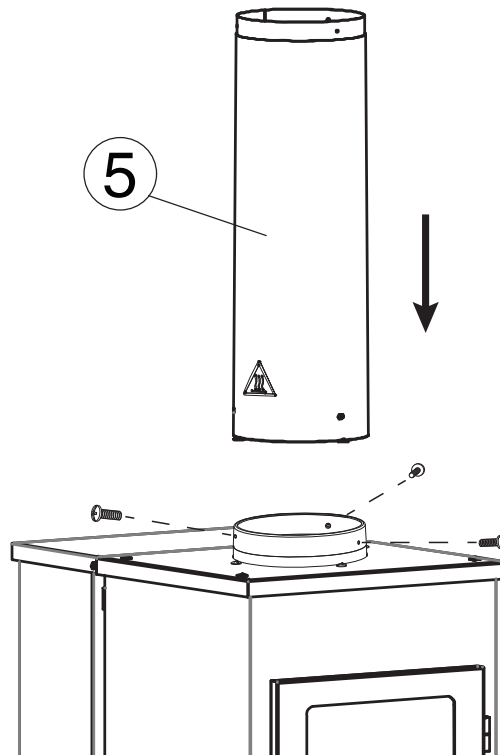
Bend tabs on upper chimney outward 90°.

Install upper chimney to chimney cap and fasten in place with three M6 x 12 mm bolts and M6 nuts.



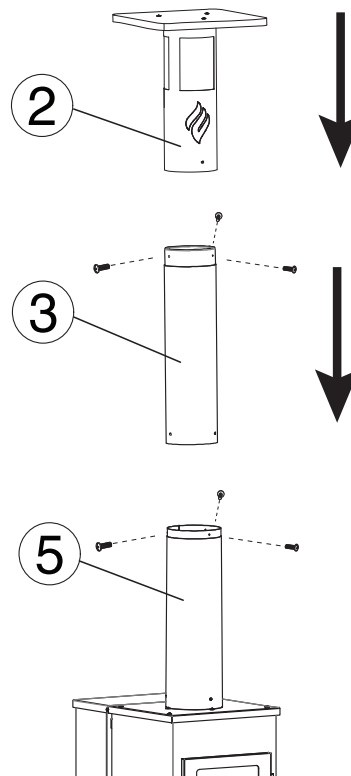
5

Install lower chimney to chimney collar and fasten in place with three M4 x 10 mm bolts.



6

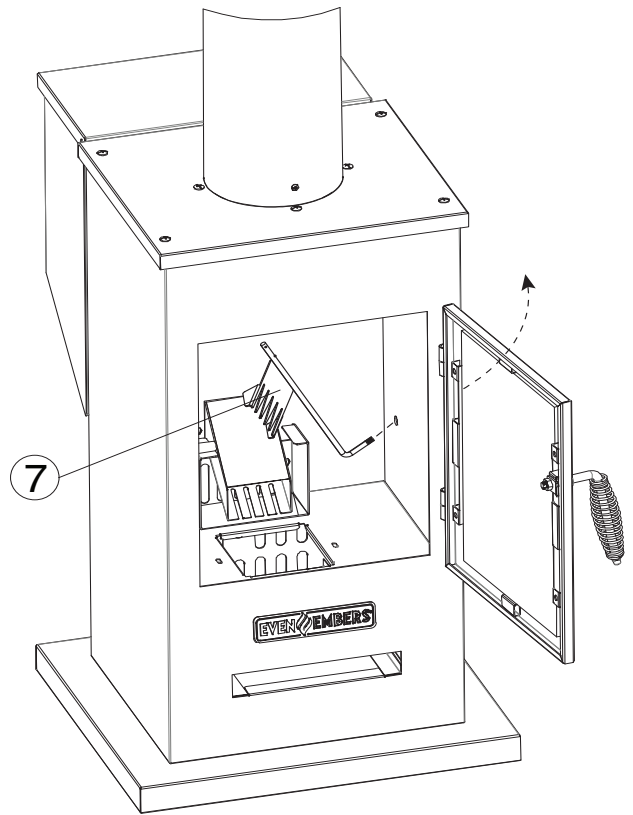
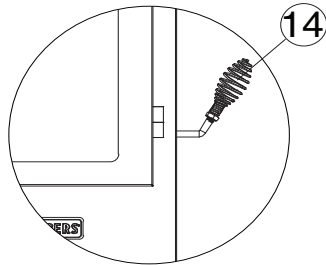
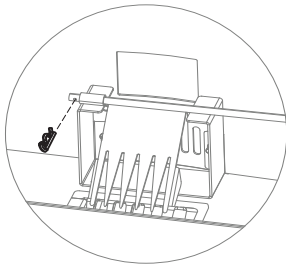
Install upper chimney and middle chimney to lower chimney and fasten in place with six M4 x 10 mm bolts.



7

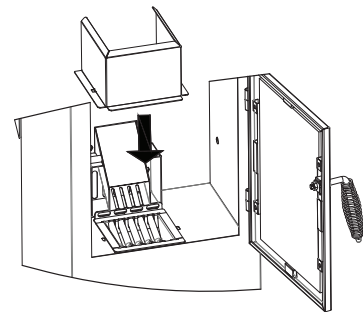
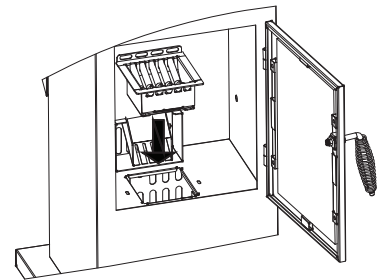
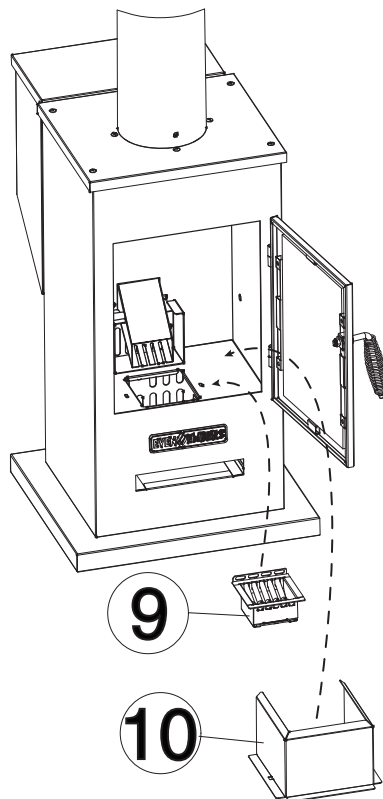
Install heat adjustment lever and lock into place with cotter pin.

Install spring coil handle onto heat adjustment lever.



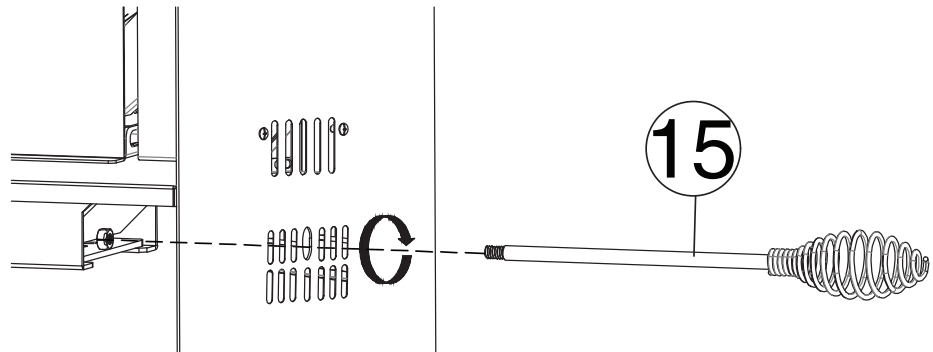
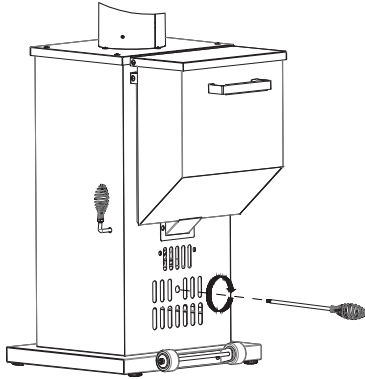
8

Set firepot in place. Center heat baffle into holes in heater base around firepot.



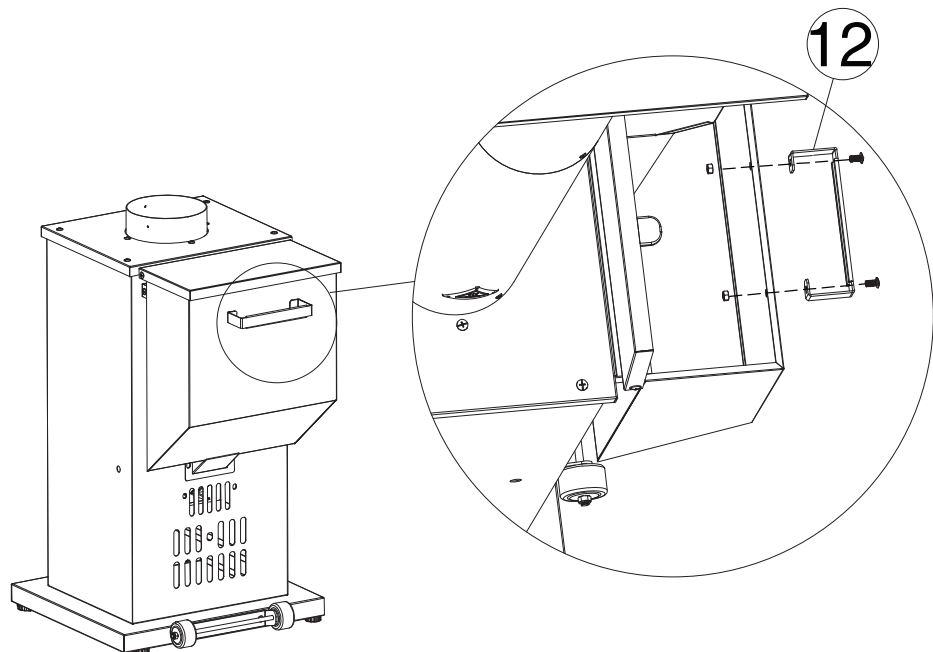
9

Install ash clean-out grate handle through back of heater body by screwing it into clean-out grate.



10

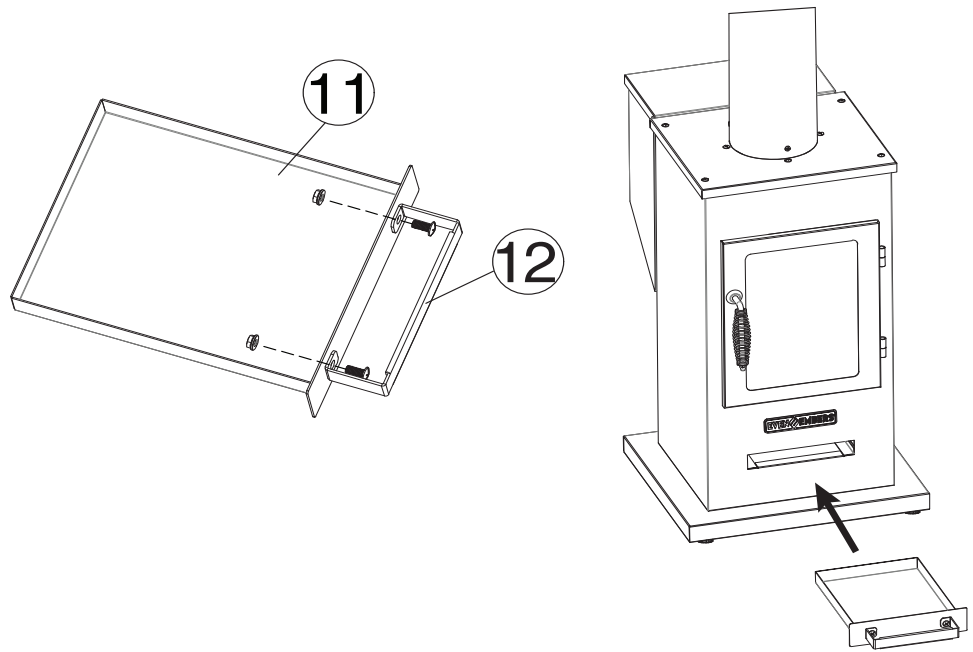
Install hopper handle to back of hopper using two M6 x 12 mm bolts and M6 nuts.



11

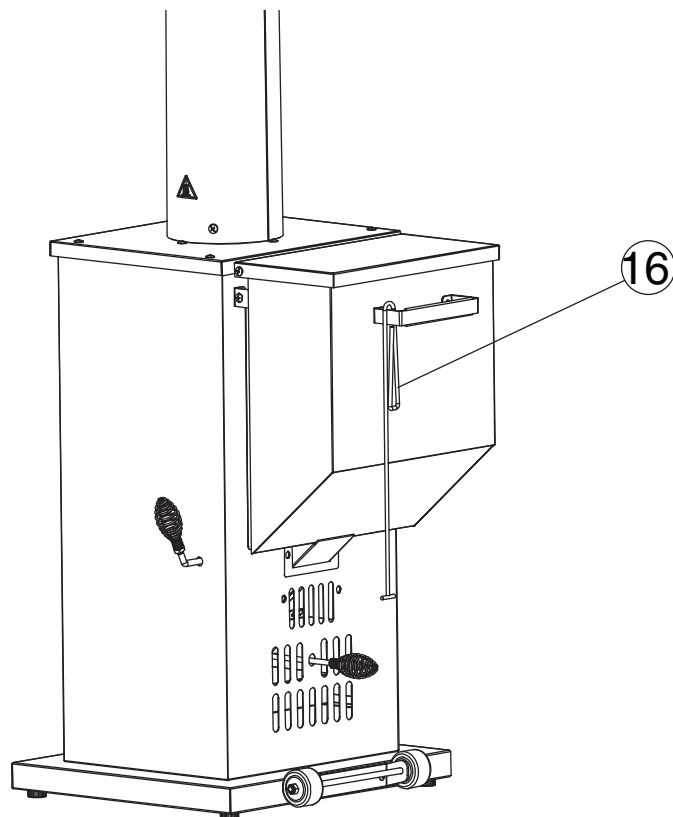
Install ash tray handle using two M6 x 12 mm bolts and M6 nuts.

Insert ash tray into heater body.



12

Hang rake on back of hopper.



# WARRANTY

Fair Game Group warrants to the original purchaser that the Even Embers® Pellet Fuel Heater is free from defects due to workmanship or materials for One-year.

Fair Game Group obligations under this warranty are limited to the following guidelines:

- This warranty does not cover heaters that have been altered/modified or damaged due to: normal wear, rust, abuse, improper maintenance and/or improper use.
- This warranty does not cover surface scratches, rust or heat damage to the finish, which is considered normal wear.
- Fair Game may elect to repair or replace damaged units covered by the terms of this warranty.
- This warranty extends to the original purchaser only and is not transferable or assignable to subsequent purchasers.

Fair Game Group requires reasonable proof of purchase. Therefore, we strongly recommend that you retain your sales receipt or invoice. To obtain replacement parts for your Even Embers® Pellet Fuel Heater under the terms of this warranty, please call Customer Service Department at 1-855-735-9922. A receipt will be required. Fair Game will not be responsible for any heaters forwarded to us without prior authorization.

EXCEPT AS ABOVE STATED, FAIR GAME GROUP MAKES NO OTHER EXPRESS WARRANTY.

THE IMPLIED WARRANTIES OF MERCHANTABILITY AND FITNESS FOR A PARTICULAR PURPOSE ARE LIMITED IN DURATION TO THOSE LISTED ABOVE FROM THE DATE OF PURCHASE. SOME STATES DO NOT ALLOW LIMITATIONS ON HOW LONG AN IMPLIED WARRANTY LASTS, SO THE ABOVE LIMITATION MAY NOT APPLY TO YOU.

ANY LIABILITY FOR INDIRECT, INCIDENTAL OR CONSEQUENTIAL DAMAGES ARISING FROM THE FAILURE OF THE EVEN EMBERS® PELLET FUEL HEATER TO COMPLY WITH THIS WARRANTY OR ANY IMPLIED WARRANTY IS EXCLUDED. CUSTOMER ACKNOWLEDGES THAT THE PURCHASE PRICE CHARGED IS BASED UPON THE LIMITATIONS CONTAINED IN THE WARRANTY SET OUT ABOVE. SOME STATES DO NOT ALLOW THE EXCLUSION OR LIMITATION OF INCIDENTAL OR CONSEQUENTIAL DAMAGES, SO THE ABOVE LIMITATION OR EXCLUSION MAY NOT APPLY TO YOU. THIS WARRANTY GIVES YOU SPECIFIC LEGAL RIGHTS, AND YOU MAY ALSO HAVE OTHER RIGHTS WHICH VARY FROM STATE TO STATE.