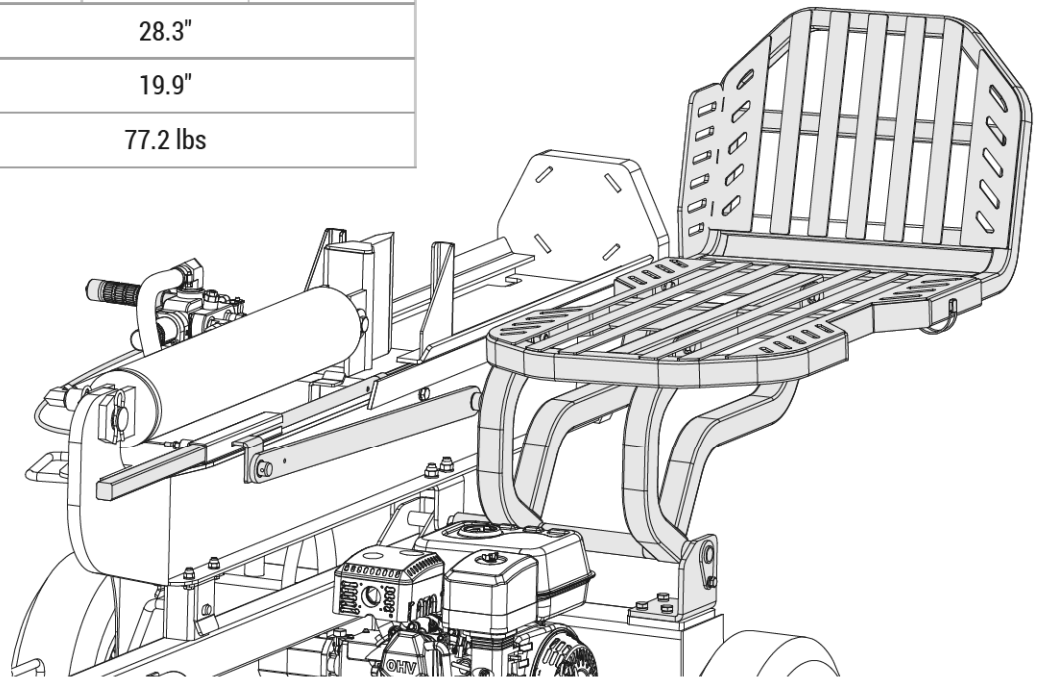


# LOG LIFT TABLE ATTACHMENT

Operator's Manual



Model #	LT28	LT45	
Applicable models	H6028FB H6028FBO H6028BR H6028BRO	H6033FB H6033FBO H6033BR H6033BRO	H6038FB H6038FBO H6038BR H6038BRO
Length	28.3"		
Width	19.9"		
Weight	77.2 lbs		



## FOR YOUR SAFETY

*READ AND UNDERSTAND THE ENTIRE MANUAL BEFORE OPERATING MACHINE*

## INTRODUCTION

The log lift table attachment can be mounted on the log splitter beam. Easily lift the log from the ground to a position flush with the beam.



### **WARNING**

*Carefully read through this entire operator's manual before using your new unit. Pay attention to all cautions and warnings.*

## CALIFORNIA PROPOSITION 65 WARNING:

CANCER AND REPRODUCTIVE HARM.

- [WWW.P65WARNINGS.CA.GOV](http://WWW.P65WARNINGS.CA.GOV).

## ENVIRONMENTAL



*Recycle unwanted materials instead of disposing of them as waste. All tools, hoses, and packaging should be resorted, taken to the local recycling center and disposed of in an environmentally safe way.*

## DISCLAIMER

Manufacturer reserves the right to discontinue, change, and improve its products at any time without notice or obligation to the purchaser. The descriptions and specifications contained in this manual were in effect at printing. Equipment described within this manual may be optional. Some illustrations may not be applicable to your unit.

## SUPPORT

Have questions about your FULLBOAR equipment?

Call us at (888) 533-2999, email us at [Support@gofullboar.com](mailto:Support@gofullboar.com), or contact us via your favorite social media site.

---

## TABLE OF CONTENTS

---


Introduction	1
Symbols	2
Contents Supplied	3
Assembly	4


Operation	10
Parts Diagram	11
Parts List	12


## SAFETY


### SIGNAL SAFETY WORDS DEFINITION

The definitions below give the level of severity for each signal word.

 **DANGER** This symbol is used to indicate a hazardous situation which, if not avoided, will result in serious injury or death.

 **CAUTION** This symbol indicates a hazard, which, if not avoided, may result in minor injury, moderate injury, or property damage.

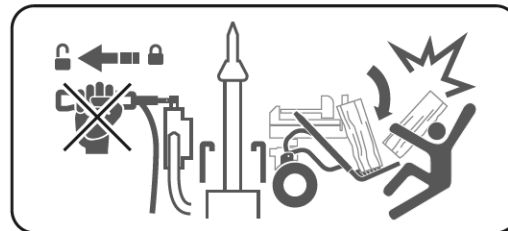
 **WARNING** This symbol points out safety instructions. Read and follow all instructions before attempting to operate this product. Failure to comply with these instructions could result in serious injury or death.

 **NOTE** This information makes the product easier to use.


### SYMBOLS

The rating plate on your machine may show symbols. These represent important information about the product or instructions on its use.

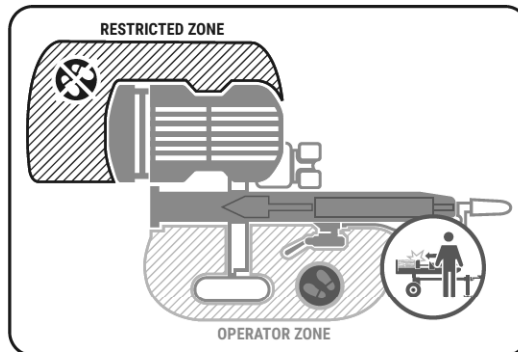
  **WARNING** Read and follow the lift table assembly steps and operating instructions in owner's manual.




  **WARNING** Wrong direction of the log may cause roll and fall when rise.

 **WARNING** When the wedge is extended and not fully return back, do not pull the control lever outwards, otherwise the log lift table attachment may suddenly drop down, risks of falling the log, damage and injury.

  **WARNING** Vertical operating position is prohibited when the log lift table attachment is attached.



  **DANGER** Do not sit on the log lift table.

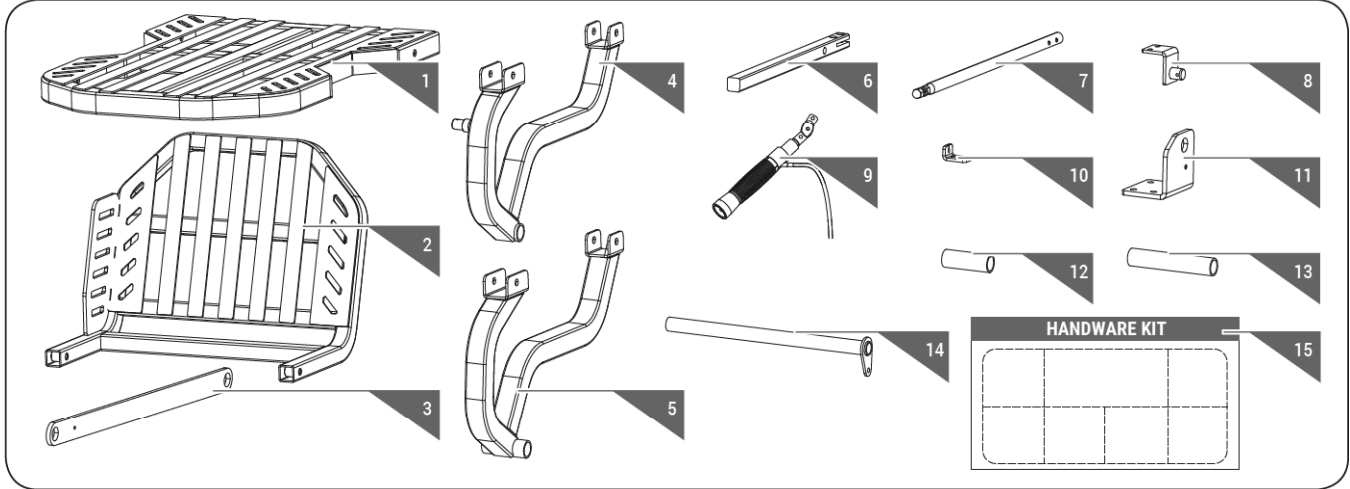
 **DANGER** Always keep bystanders away at least 10 feet (3m) from this machine. Only one person should operate the log splitter and load the logs. When the wedge or log lift table is moving, anybody including operator is prohibited to stand in the restricted zone.

# CONTENTS SUPPLIED

Your FULLBOAR log lift table attachment contains the following:

## **CAUTION**

Heavy lifting required. Some of the components in these assembly instructions are heavy and can't be lifted by one person safely. Please plan to assemble this product when another person can be available to help.



1. Log lift table attachment-main table
2. Log lift table attachment-side table
3. Swing Arm
4. Support Leg (left)
5. Support Leg (right)
6. Slide-rail
7. Ejector Rod
8. Bending Plate
9. Log lift table handle (shorter)
10. Cable Fixing Plate
11. Connecting Plate
12. Short Bushing
13. Long Bushing
14. Rotating Shaft

15. Hardware Kit, Including:

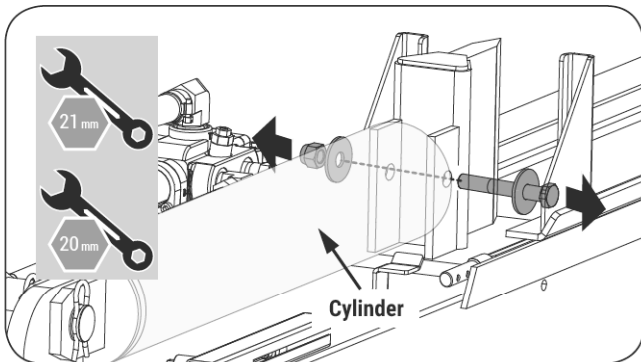
	M6 x 20	x 2	<b>1</b>
	M6 x 25	x 2	<b>2</b>
		x 1	<b>3</b>
	M6 x 20	x 1	<b>4</b>
	M8 x 16	x 2	<b>4</b>
	M10 x 20	x 4	<b>5</b>
	M10 x 60	x 3	<b>6</b>
	9.3 x 70	x 2	<b>6</b>
	M8 x 20	x 1	<b>7</b>
	25 x 20 x 8	x 2	<b>8</b>
	φ 20	x 2	
	5 x 35	x 2	

## ASSEMBLY

To assemble your log lift table attachment follow the below instructions.

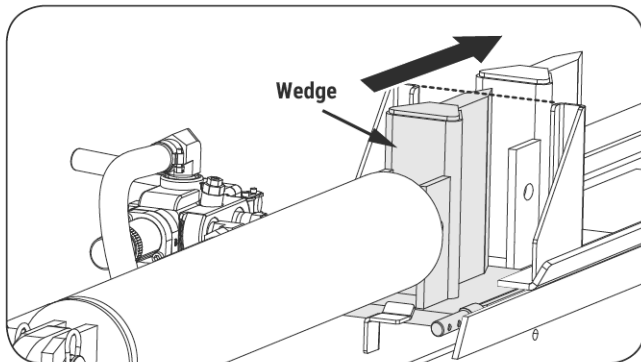
### Preparation

1. Remove the bolt, washers and nut, which connect the wedge with the cylinder. (See **Figure 1a.**) Keep the removed hardware set aside for later use.



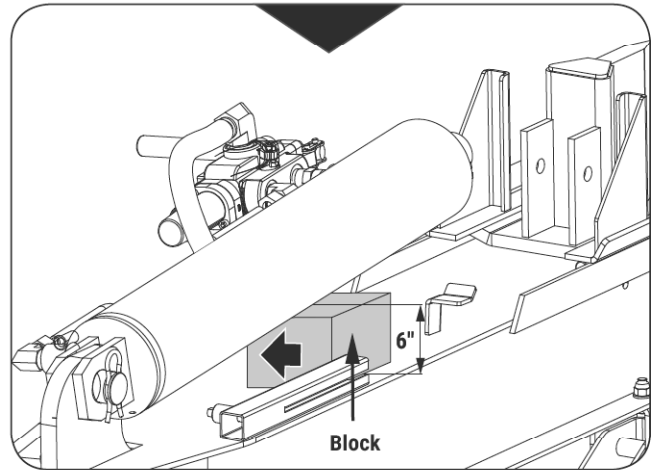
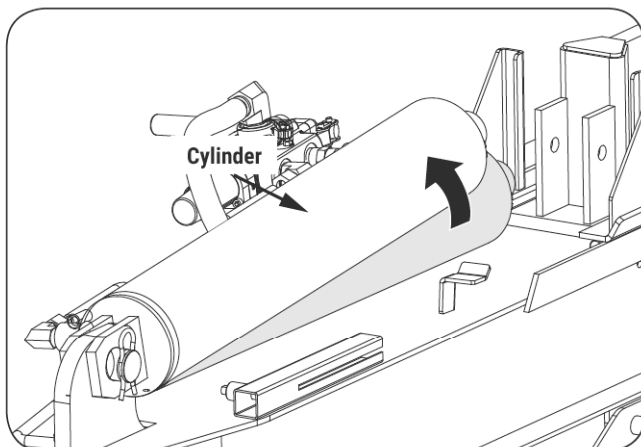
**Figure 1a**

2. Push the wedge forward until the wedge completely crosses the log stripper. (See **Figure 1b.**)



**Figure 1b**

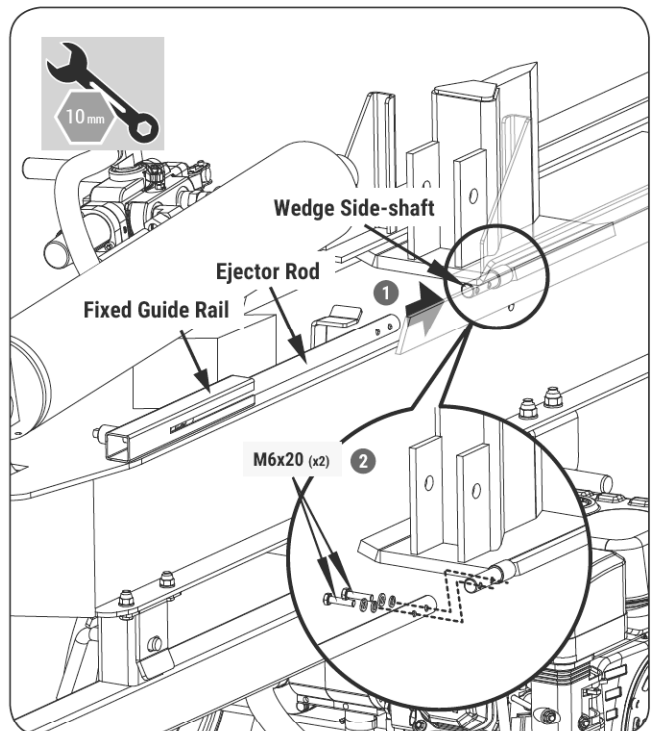
3. Place a wooden block with a height of about 5.9" under the cylinder, make ensure the stability of the cylinder and wooden block. (See **Figure 1c.**)



**Figure 1c**

### Ejector Rod Assembly

1. Let the ejector rod go through the fixed guide rail. Align the holes in the front end of the ejector rod with the holes in the wedge side-shaft. (See **Figure 2, illustration 1.**)
2. Fasten the ejector rod with the wedge side-shaft. (See **Figure 2, illustration 2.**)



**Figure 2**



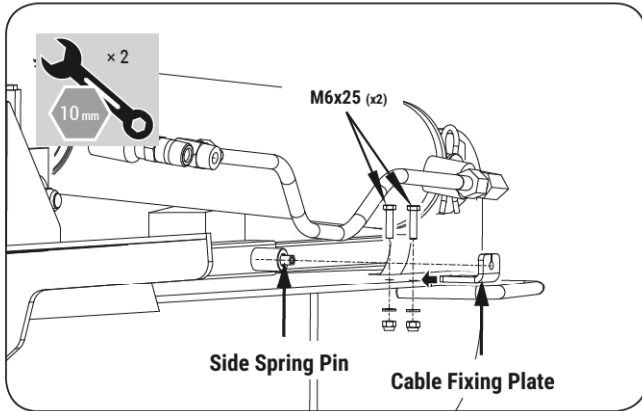
M6 x 20

× 2

**1**

### Cable Fixing Plate and Cable Assembly

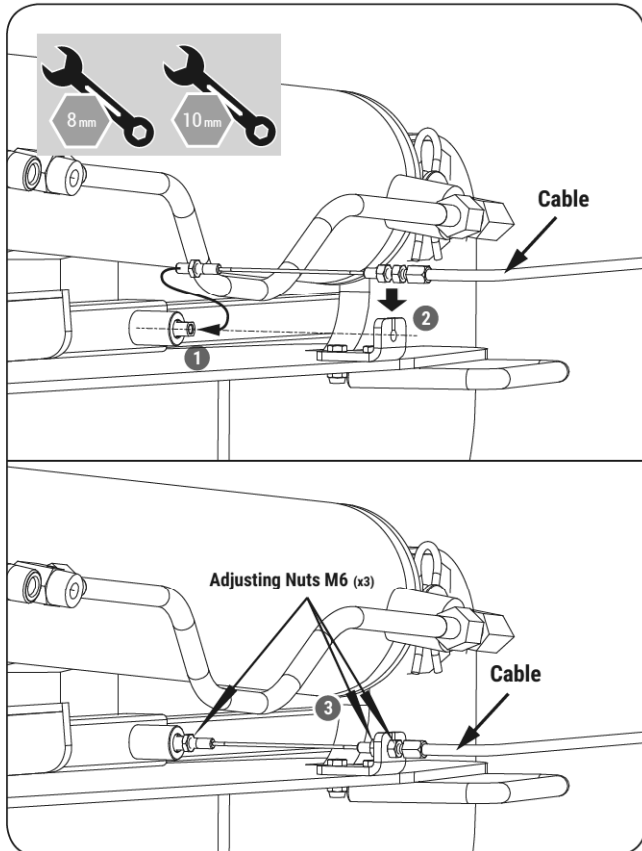
1. Install the cable fixing plate, paying attention to keeping the fixing plate hole in line with the center of the side spring pin. (See **Figure 3a**.)



**Figure 3a**



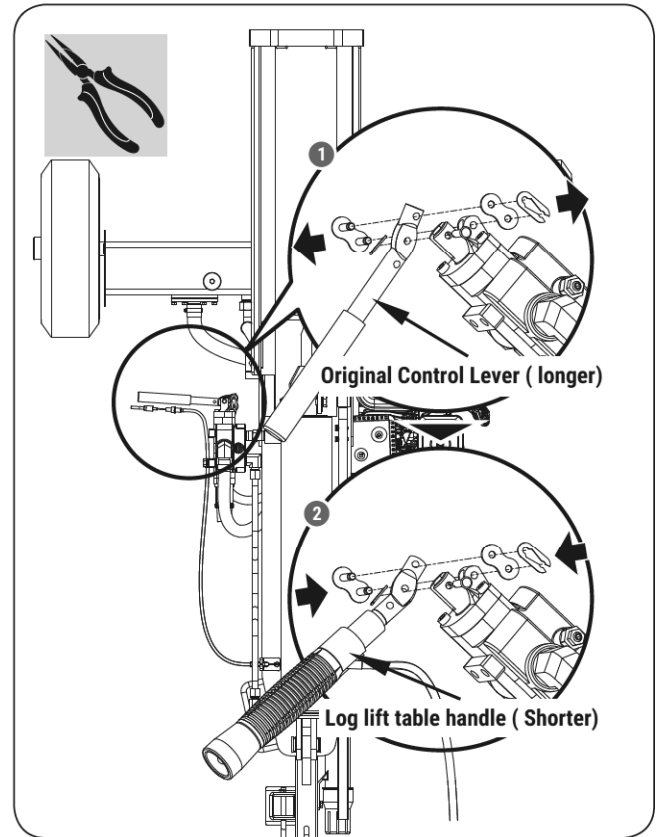
2. Screw the straight end of the cable into the side spring pin hole. (See **Figure 3b, illustration 1**.) Pass the cable between the lower two adjusting nuts through the middle hole of the cable fixing plate. (See **Figure 3b, illustration 2**.) By adjusting the three adjusting nuts, make sure the cable between the side spring pin and the cable fixing plate is just straightened. (See **Figure 3b, illustration 3**.)



**Figure 3b**

### Handle and Cable Assembly

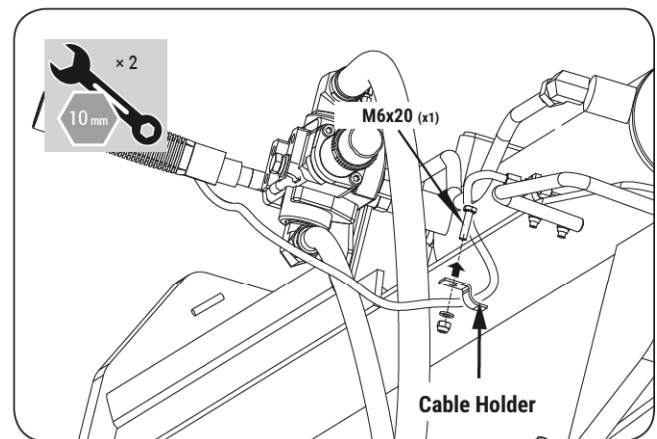
1. Disassemble the original long control lever (See **Figure 4, illustration 1**), assemble the shorter log lift table control lever instead with the same hardware parts (See **Figure 4, illustration 2**.)



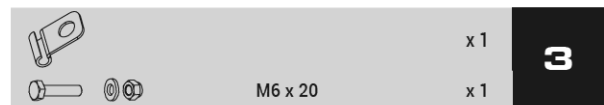
**Figure 4**

### Cable Holder and Cable Assembly

1. Secure the cable onto the bottom of the beam via cable holder. (See **Figure 5**.)

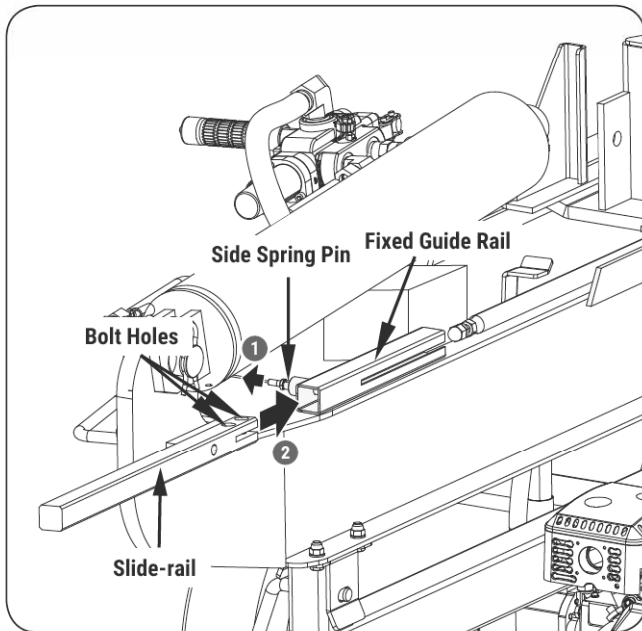


**Figure 5**



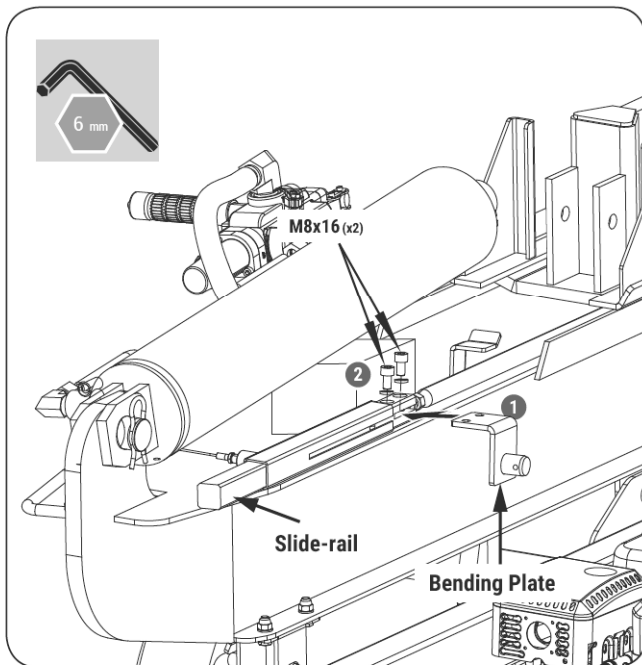
### Slide-rail Assembly

1. Pull out the side spring pin and insert the slide-rail through the fixed guide rail until the two bolt holes on the slide-rail are fully exposed. (See **Figure 6a.**)



**Figure 6a**

2. Insert the bending plate into the U-shaped narrow slot of the slide-rail, align the two holes on the bending plate with the two holes on the slide-rail, and then tighten them with M8x16 bolts. (See **Figure 6b.**)

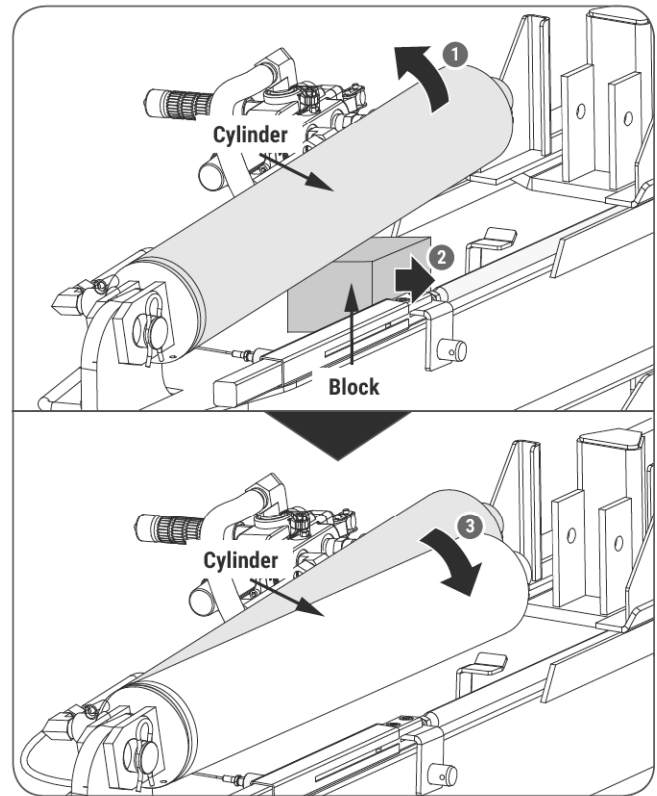


**Figure 6b**

 M8 x 16 x 2 **4**

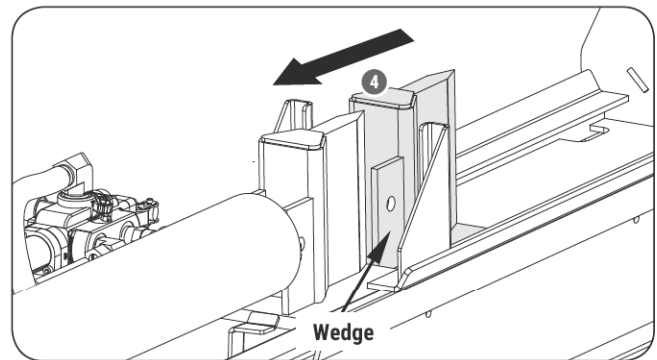
### Connect wedge and cylinder

1. Remove the wooden block under the cylinder. (See **Figure 7a.**)



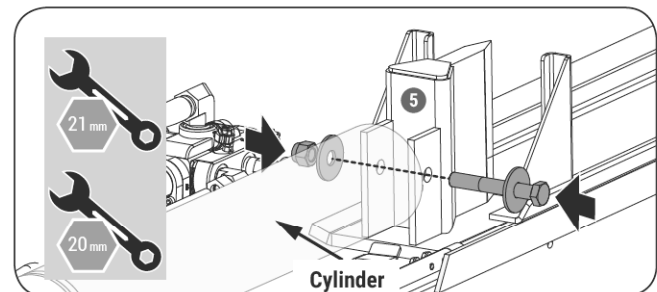
**Figure 7a**

2. Pull the wedge back. (See **Figure 7b.**)



**Figure 7b**

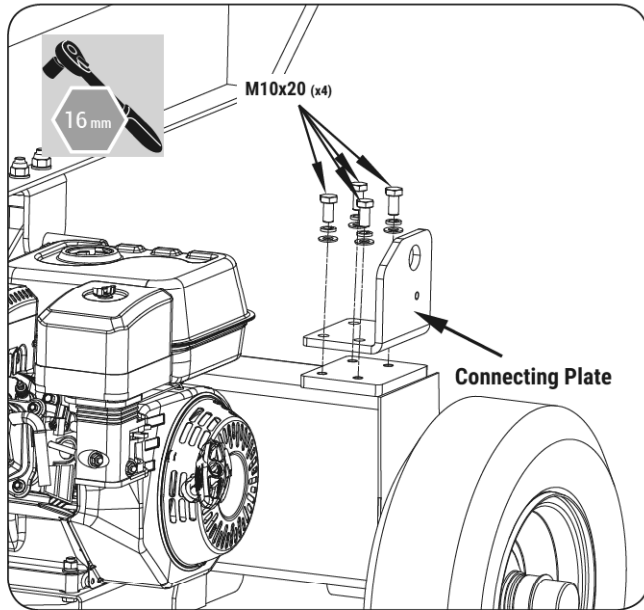
3. Assemble the wedge and cylinder. (See **Figure 7c.**)



**Figure 7c**

### Connecting Plate Assembly

1. Assemble the connecting plate onto the tank, taking care to ensure the correct bending direction of the plate. (See **Figure 8**.)

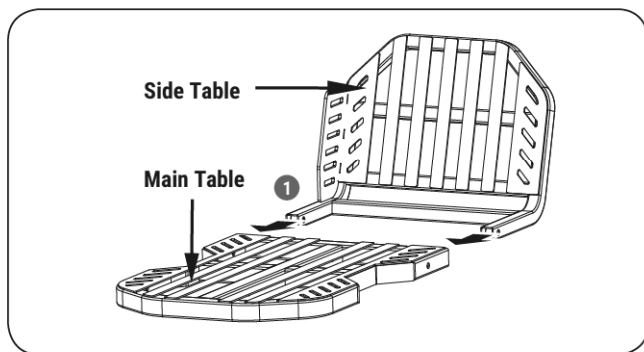


**Figure 8**

	M10 x 20	x 4	<b>5</b>
--	----------	-----	----------

### Main Table & Side Table Assembly

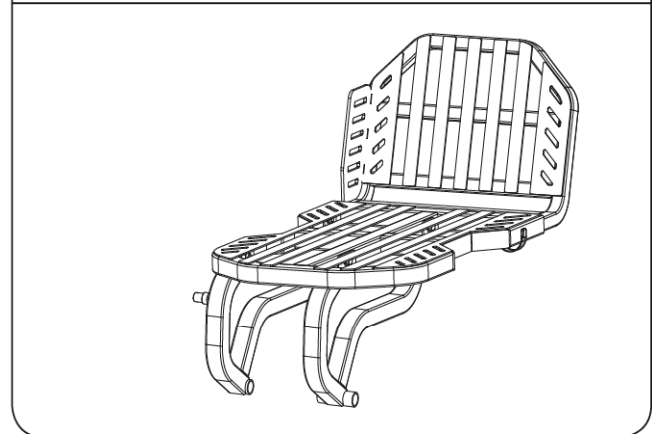
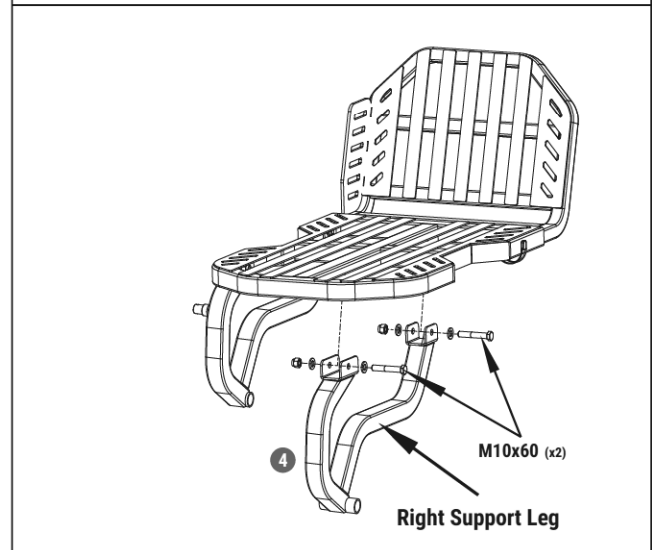
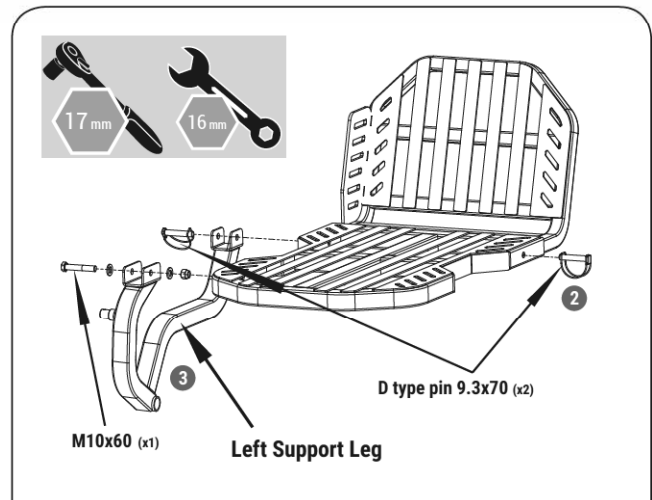
1. Assemble the side table and the main table together to ensure that the hole positions at the connection are aligned. (See **Figure 9a, illustration 1**.)



**Figure 9a**

2. Use a D type pin to insert the right connection hole between the main table and the side table. (See **Figure 9b, illustration 2**.)
3. Align the front hole of the left support leg with the left connecting hole between the main table and the side table, and fix them with a D type pin. At the same time, align the rear hole of the left leg with the left hole at the bottom of the main table and then fasten with M10x60 long bolts, washers and nuts. (See **Figure 9b, illustration 3**.)

4. Assemble the right support leg with the main table. Tighten with bolts, washers and nuts. (See **Figure 9b, illustration 4**.)



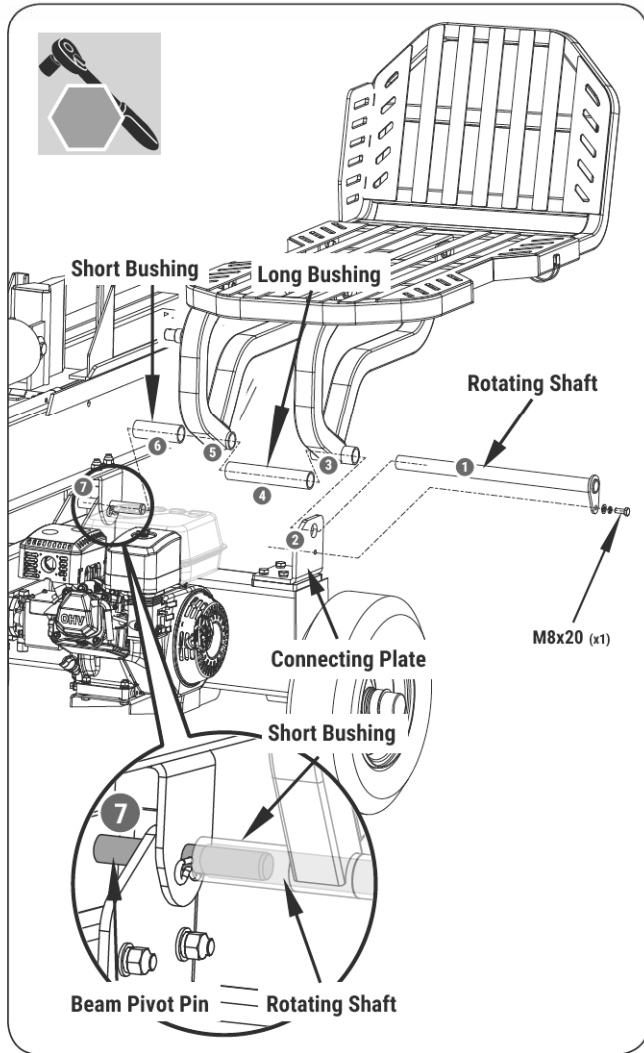
**Figure 9b**

	M10 x 60	x 3	<b>6</b>
	9.3 x 70	x 2	



### Log Lift Table Attachment Assembly

1. Pass the rotating shaft through the connecting plate, right support leg, long bushing, left support leg, and short bushing in sequence, and finally, wrap it outside the beam pivot pin, then fix it on the connecting plate with M8x20 bolts and washers. (See **Figure 10.**)

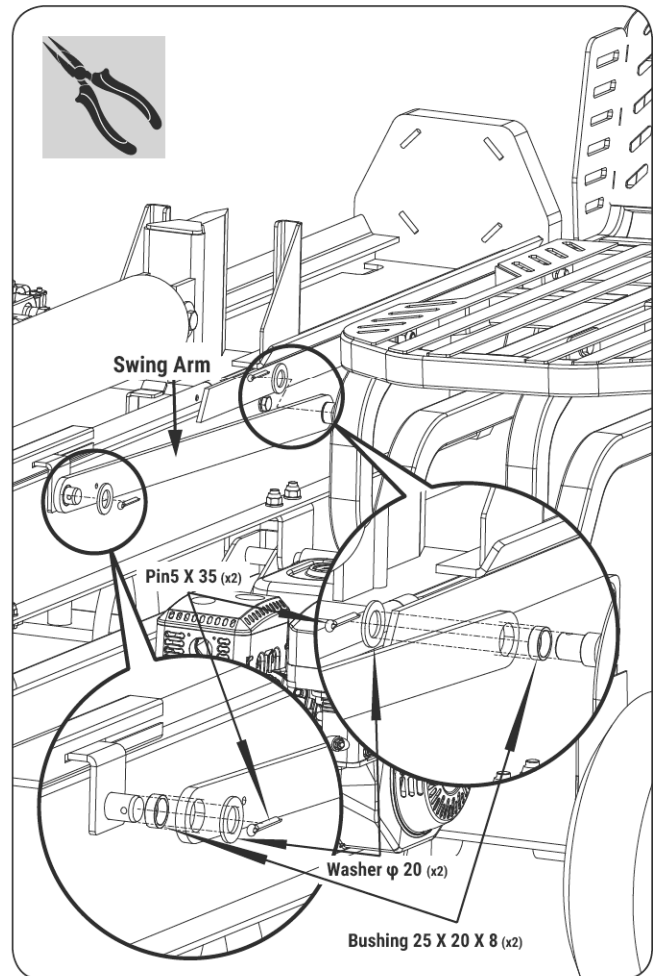


**Figure 10**

	M8 x 20	x 1	<b>7</b>
--	---------	-----	----------

### Swing Arm Assembly

1. The front hole of the swing arm is fixed to the short shaft on the side of the left leg with bushing, washer and cotter pin. and the rear hole of the swing arm is fixed on the short shaft on the inside of the bending plate. The inner side is fixed with a bushing, a washer and a cotter pin. (See **Figure 11.**)

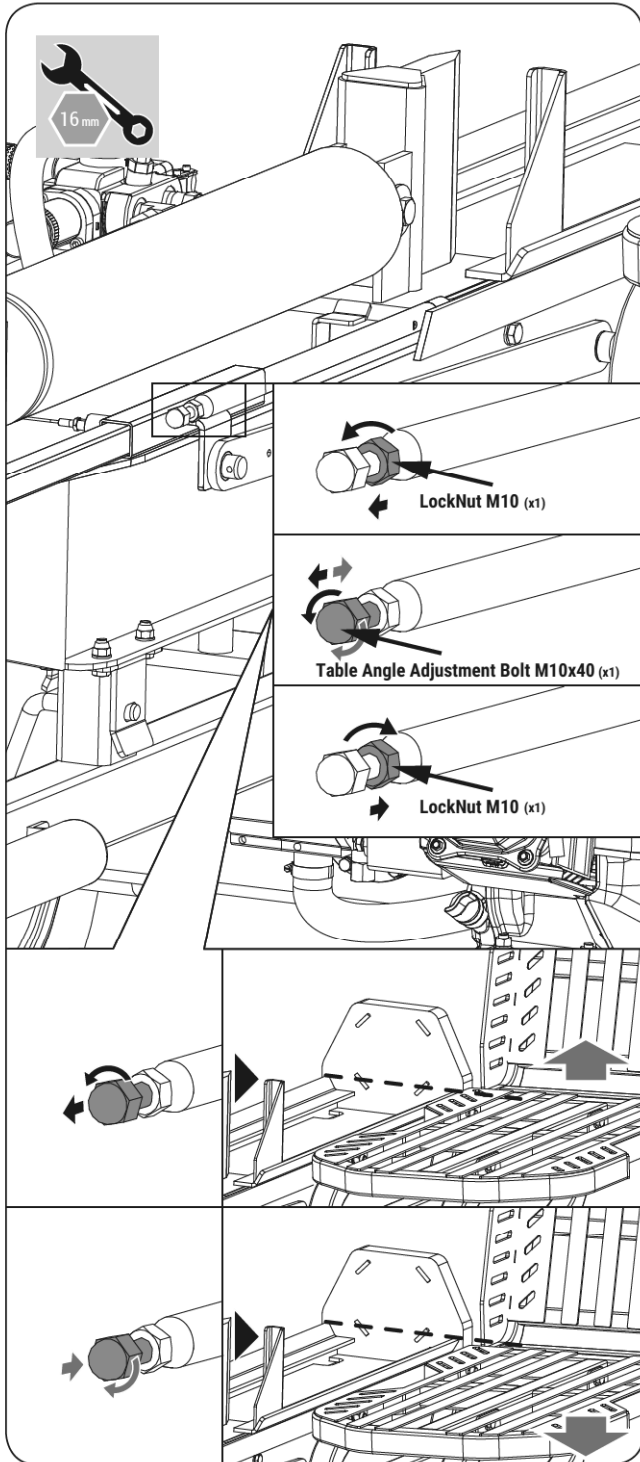


**Figure 11**

	25 x 20 x 8	x 2	<b>8</b>
	φ 20	x 2	
	5 x 35	x 2	

## Log Lift Table Attachment Height Adjustment

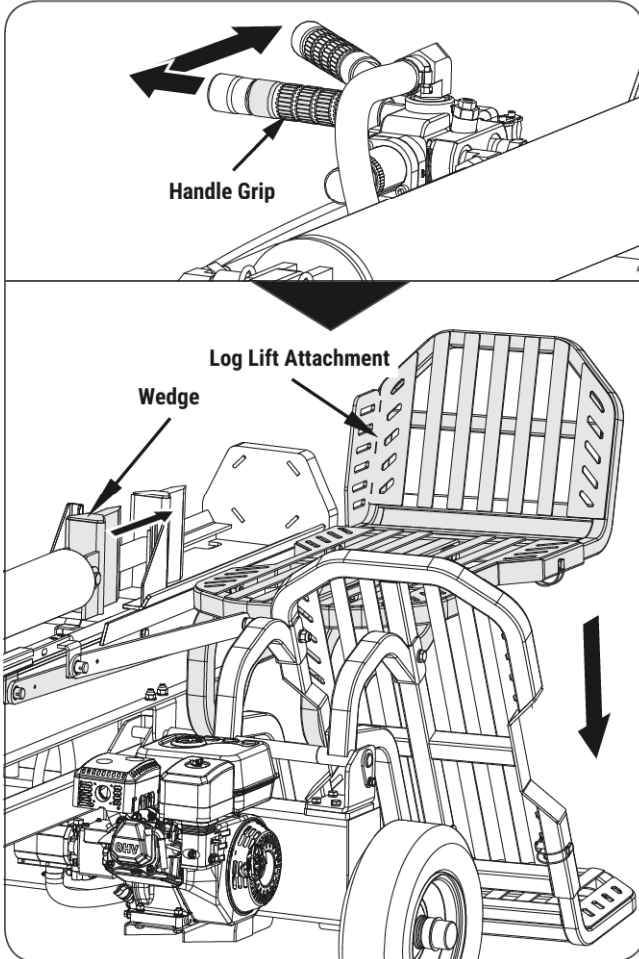
1. Loosen the lock nut, adjust the table angle adjustment bolt backward to increase the length of the ejector rod, and the table tilts upward; On the contrary, adjust the table angle adjustment bolt forward to shorten the length of the ejector rod, and the table will tilt down. When the height of the table and beam is aligned, lock the nut tightly. (See **Figure 12.**)



**Figure 12**

## OPERATION

1. When the log lift table attachment is flush with the beam, pull the control lever of the control valve outward while pushing it forward. then the wedge moves forward, and at the same time, the log lift table attachment will go downward. (See **Figure 13a.**)

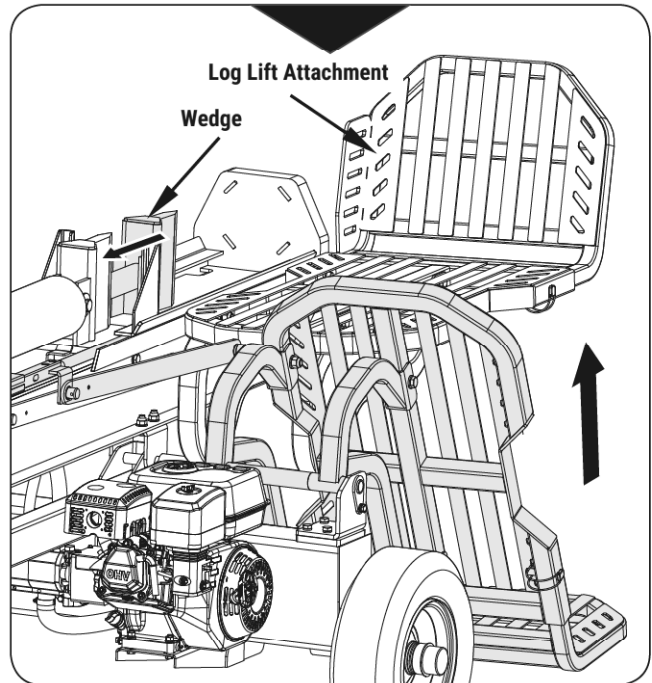
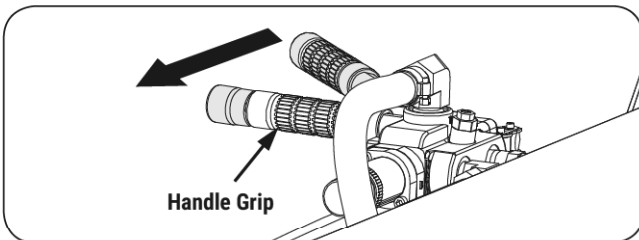


**Figure 13a**

2. Make sure wedge and log lift table stop moving, load the log on the table.



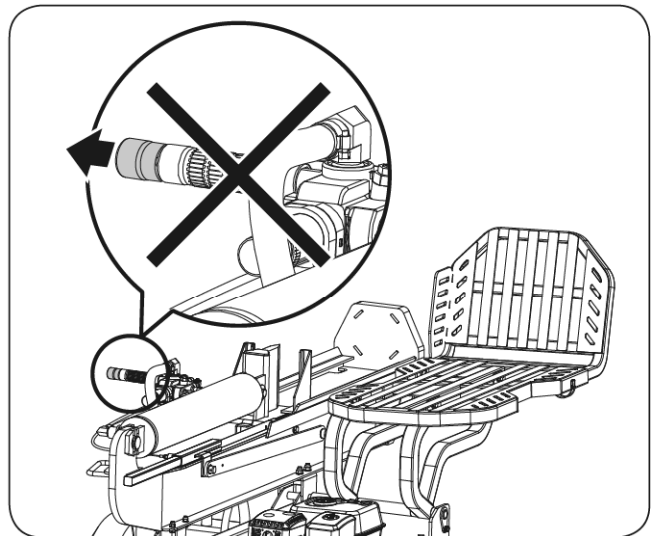
3. Give the control lever a backward thrust, wait until the wedge starts to move, release the control lever, and then the log lift table attachment starts to rise. (See **Figure 13b.**)



**Figure 13b**

4. Move the log from log table to the beam.
5. Push the control lever forward, the wedge will go forward to split the log. Give the control lever a backward thrust, then release the lever, the wedge will go back to the start position.

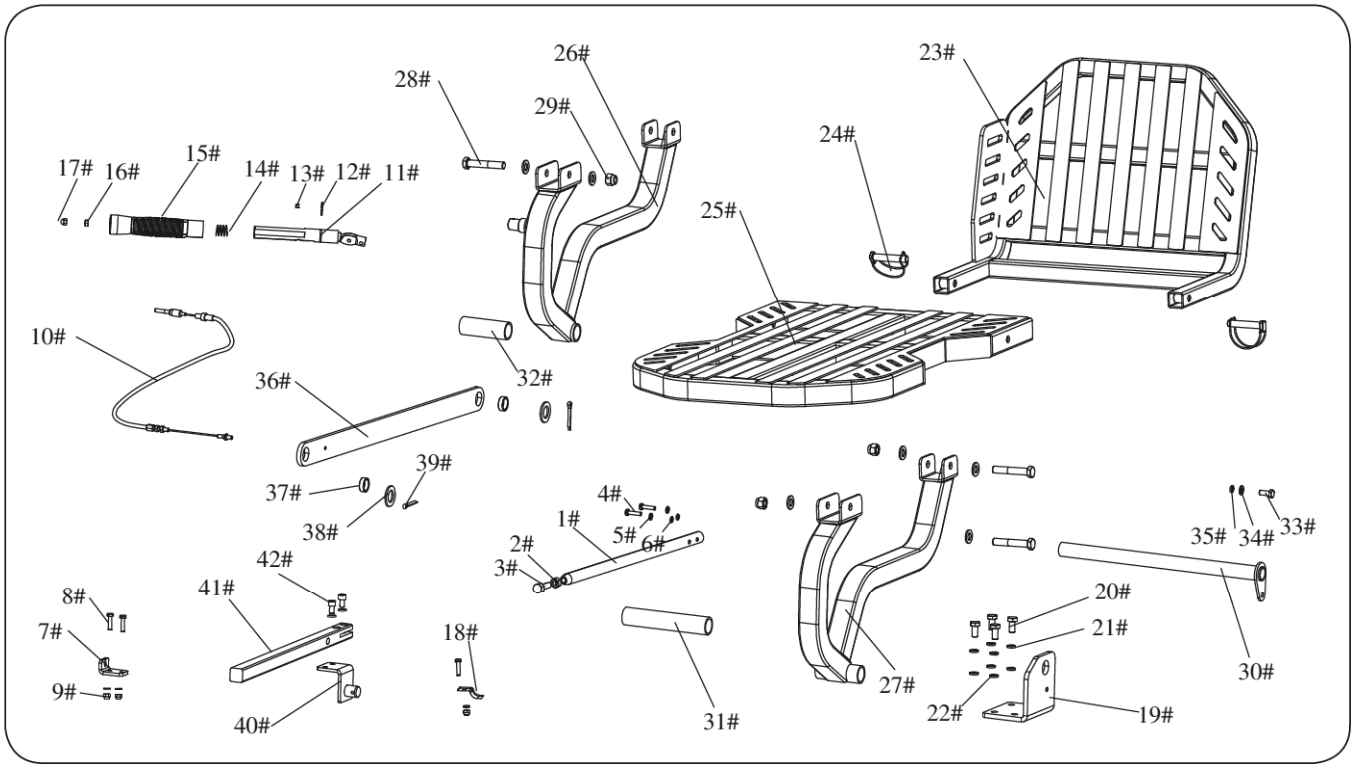
**⚠ WARNING** When the wedge is extended and not fully return back, it is prohibited to pull the control lever outwards, otherwise the lift log table attachment may suddenly drop, causing unexpected risks such as falling logo and so on. (See **Figure 14.**)



**Figure 14**

6. Repeat the operate from Step 1-5 to complete the log lifting and splitting again.

# PARTS DIAGRAM



**PARTS LIST**

No.	Description	Qty
1#	Ejector Rod	1
2#	Nut M10	1
3#	Round Head Bolt M10x40	1
4#	Bolt M6x20	3
5#	Flat Washer 6	5
6#	Spring Washer 6	2
7#	Cable Fixing Plate	1
8#	Bolt M6x25	2
9#	Nut M6	3
10#	Cable	1
11#	Handle	1
12#	Circlips 20	1
13#	Hexagon Socket Set Screw M6x10	1
14#	Spring	1
15#	Handle Grip	1
16#	Nut M6	1
17#	Round Head Nut M6	1
18#	Cable Holder	1
19#	Connecting Plate	1
20#	Bolt M10x20	4

No.	Description	Qty
21#	Spring Washer 10	4
22#	Flat Washer 10	10
23#	Log Lift Table Attachment-side Table	1
24#	D type Pin 9.3x70	2
25#	Log Lift Table Attachment-main Table	1
26#	Support Leg-left	1
27#	Support Leg-right	1
28#	Bolt M10x60	3
29#	Nut M10	3
30#	Rotating Shaft	1
31#	Long Bushing	1
32#	Short Bushing	1
33#	Bolt M8x20	1
34#	Flat Washer 8	1
35#	Spring Washer 8	3
36#	Swing Arm	1
37#	Bushing 25x20x8	2
38#	Flat Washer 20	2
39#	Cotter Pin 5x35	2
40#	Bending Plate	1
41#	Slide-rail	1
42#	Hex Socket Head Cap Screw M8x16	2







**GO FULL BOAR™**