

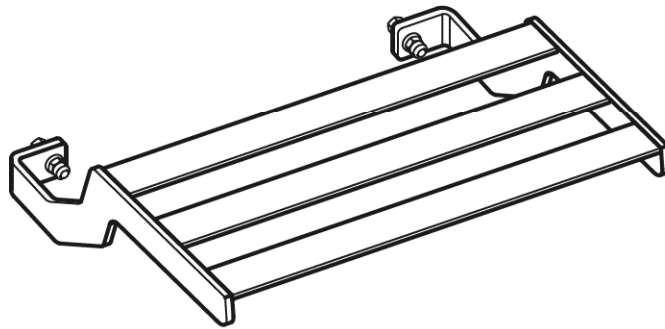
LOG CATCHER

Operator's Manual



Model #	LC20
Length	20.3"
Width	7.7"
Weight	9.7 lbs

For use on all Fullboar Log Splitters



CALIFORNIA PROPOSITION 65 WARNING:

CANCER AND REPRODUCTIVE HARM.
- WWW.P65WARNINGS.CA.GOV.

Log Catcher Assembly

Align the holes on the log catcher mounts to the holes on the beam. Insert M10×30 bolts, then secure with flat washers and nuts. (See *Figure 11.*)

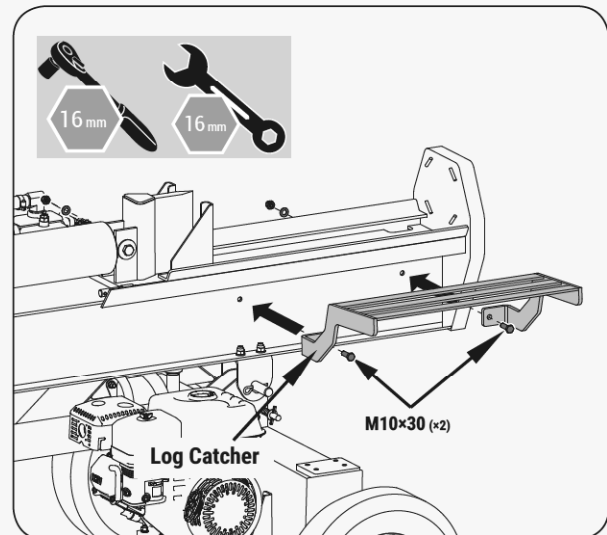


Figure 11



NOTE

Log Catcher can be installed on either side of the beam.



M10 × 30

× 2

1



GO FULL BOAR™