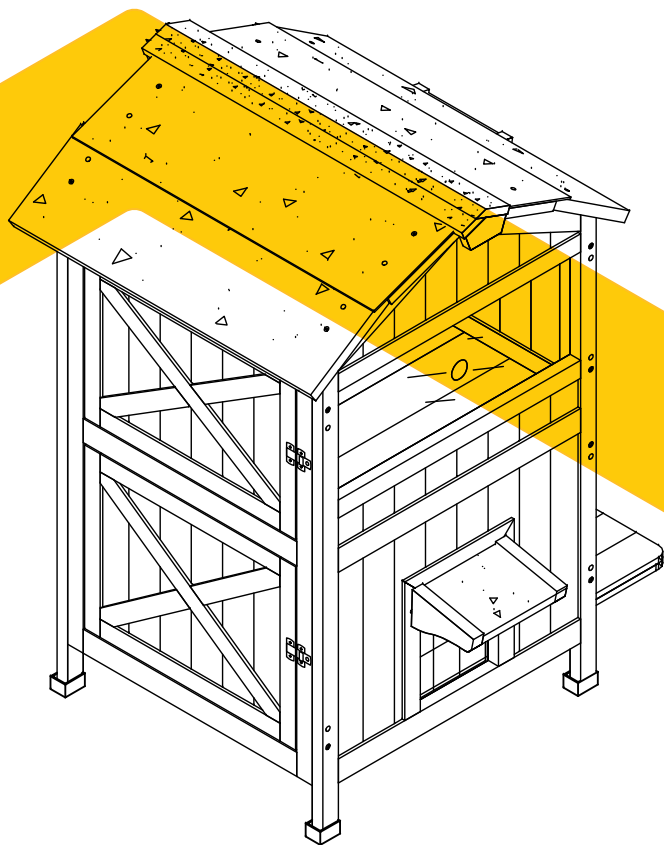


INSTRUCTION MANUAL

AIR94





NOTICE

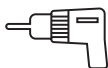
Please retain these instructions for future reference.

- Firmly secure all bolts,screws and knobs before use.
- Reconfirm that all bolts,screws,and knobs are secure every 90 days.
- Fasten screws loosely during initial assembly. Do not fully tighten screws until the item is completely assembled.
- Do not use or store this item in the proximity of open flame or flammable/combustible chemicals.
- Be aware that some parts are heavy and have sharp edges.
- Be aware that moving parts can injure,crush and cut.
- If any parts are missing,broken,damaged,or worn,stop using this product until repairs are made and/or factory replacement parts are installed.
- Donot use this item in a way inconsistent with the manufacturer's instructions as this could void the product warranty.

TOOLS REQUIRED //



PHILLIPS
SCREWDRIVER



DRILL
(RECOMMENDED)



2PERSON
ASSEMBLY



APPROXIMATELY
30MIN. ASSEMBLY

HARDWARE //

M3.5x40mm SCREW
4PCS+1 spare



P1

M3.5x45mm SCREW
12PCS+1 spare



P2

M3.5x35mm SCREW
8PCS +1spare



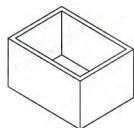
P3

M3.5x25mm SCREW
8PCS +1spare



P4

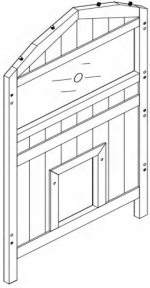
Plastic Feet
4PCS



P5

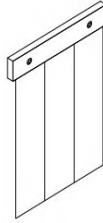
PARTS

Front panel
1PC



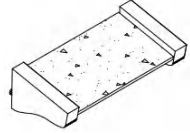
A

PVC Curtain
2PCS



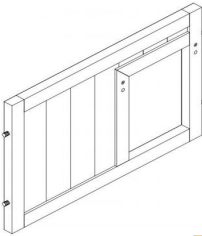
B

Eave
2PCS



C

Right Panel- Upper
1PC



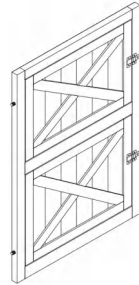
D

Back Panel
1PC



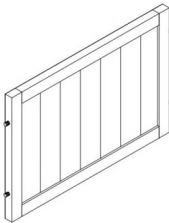
E

Left Panel
1PC



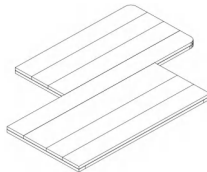
F

Right Panel- Lower
1PC



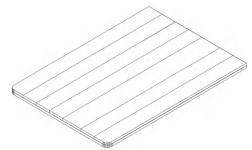
G

Middle Floor
1PC



H

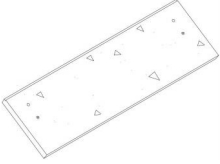
Bottom Floor
1PC



I

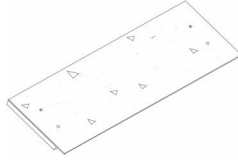
PARTS

Roof
2PCS



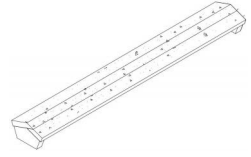
J

Roof
2PCS



K

Roof Cap
1PC

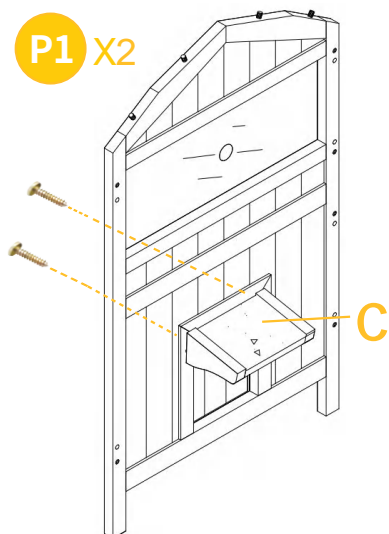
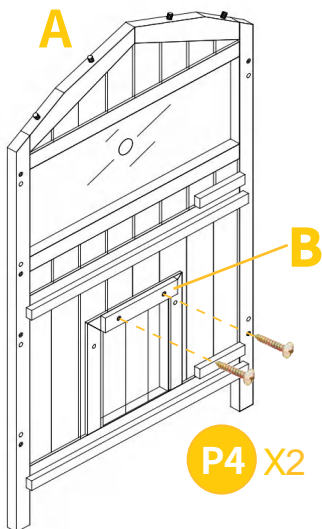


L

PRODUCT ASSEMBLY //

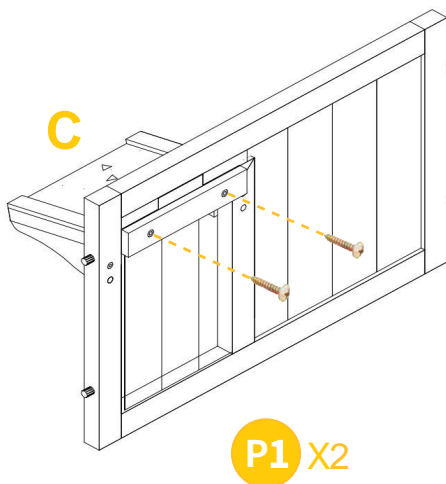
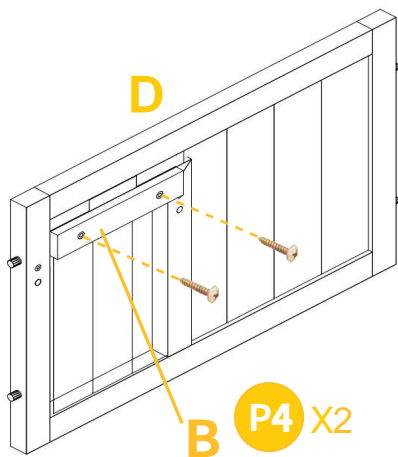
01

Screw the curtain Part B to the INSIDE of Part A by 2xP4.
Screw Part C from the INSIDE of Part A by 2xP1.



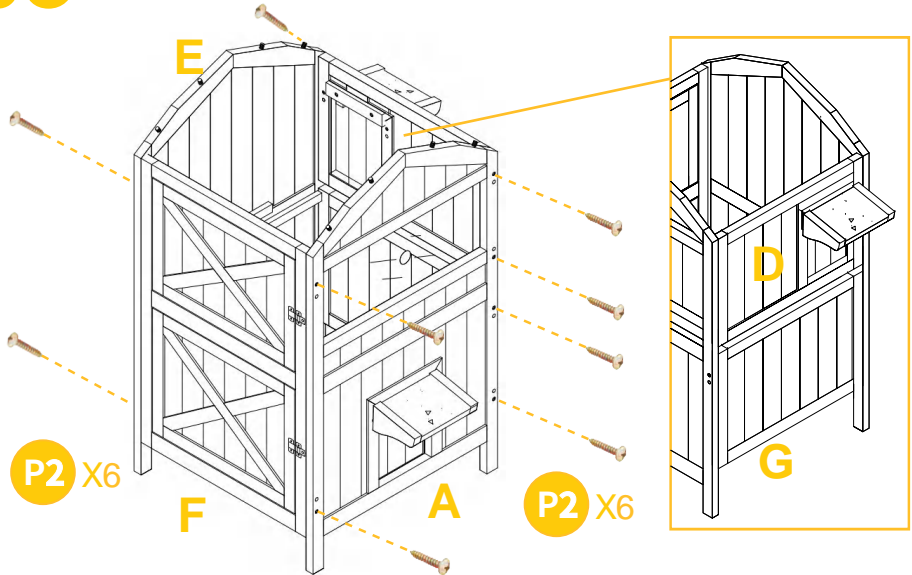
02

Screw the curtain Part B to the INSIDE of Part D by 2xP4.
Screw Part C from the INSIDE of Part D by 2xP1.

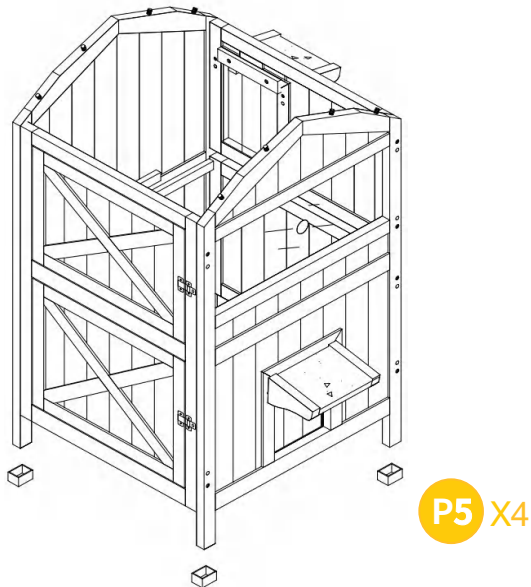


PRODUCT ASSEMBLY

03 Screw Part A, F, E, D, G by 6xP2 on each side.



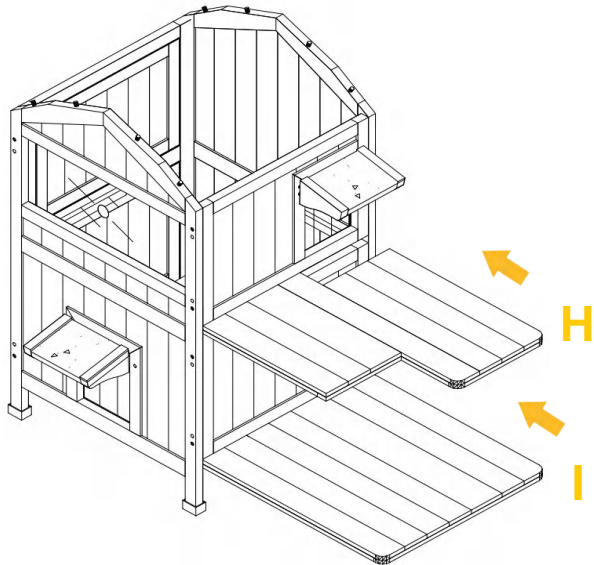
04 Attach P5 plastic feet to the house.



PRODUCT ASSEMBLY

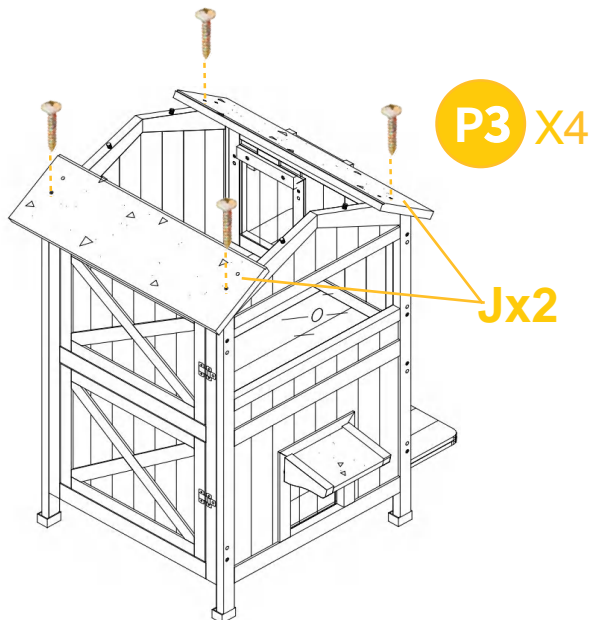
05

Slide the floor Part H & I.



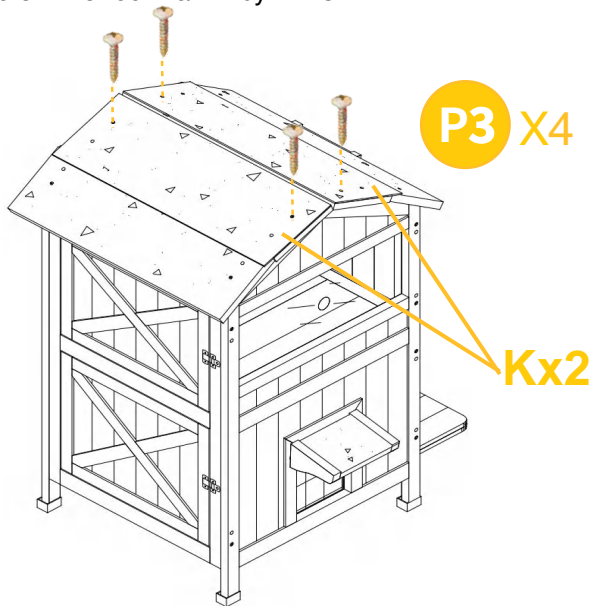
06

Screw the roof Part J by 4xP3.

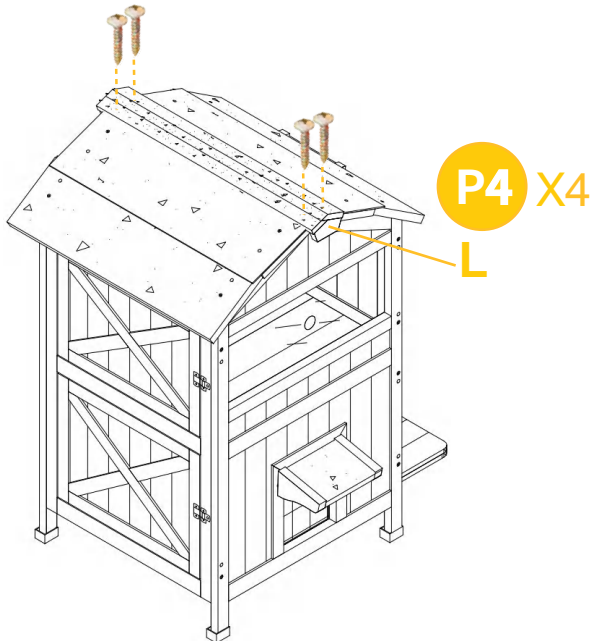


PRODUCT ASSEMBLY //

07 Screw the roof Part K by 4xP3.



08 Screw the roof cap Part L by 4xP4.





WARNING

Manufacturer and seller expressly disclaim any and all liability for personal injury, property damage or loss, whether direct, indirect, or incidental, resulting from the incorrect attachment, improper use, inadequate maintenance, or neglect of this product.