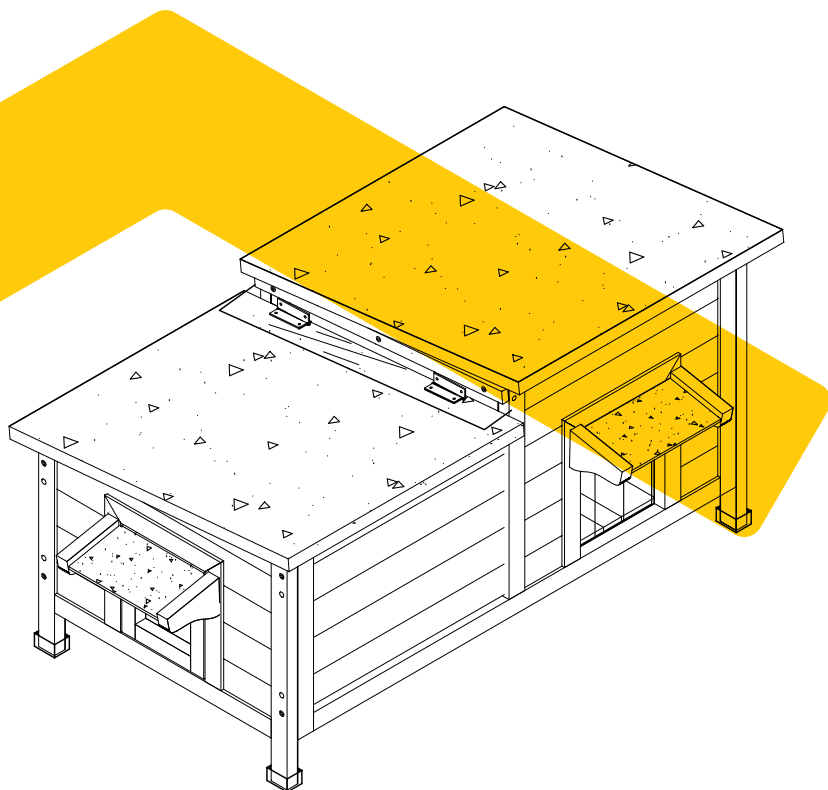


INSTRUCTION MANUAL

AIR 93





NOTICE

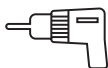
Please retain these instructions for future reference.

- Firmly secure all bolts,screws and knobs before use.
- Reconfirm that all bolts,screws,and knobs are secure every 90 days.
- Fasten screws loosely during initial assembly. Do not fully tighten screws until the item is completely assembled.
- Do not use or store this item in the proximity of open flame or flammable/combustible chemicals.
- Be aware that some parts are heavy and have sharp edges.
- Be aware that moving parts can injure,crush and cut.
- If any parts are missing,broken,damaged,or worn,stop using this product until repairs are made and/or factory replacement parts are installed.
- Do not use this item in a way inconsistent with the manufacturer's instructions as this could void the product warranty.

TOOLS REQUIRED //



PHILLIPS
SCREWDRIVER



DRILL
(RECOMMENDED)



2PERSON
ASSEMBLY



APPROXIMATELY
45MIN. ASSEMBLY

HARDWARE //

M3.5x40mm SCREW
10PCS+1 spare



P1

M3.5x40mm SCREW
4PCS+1 spare



P2

M3.5x20mm SCREW
5PCS+1 spare



P3

M3.0x16mm SCREW
8PCS+1 spare



P4

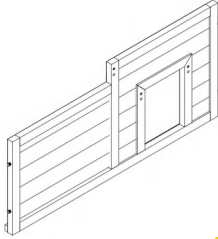
Plastic Feet
4PCS



P5

PARTS

Front panel
1PC



A

The front panel is a long, narrow rectangular frame with horizontal slats. It features a central window-like opening with a smaller inner frame.

PVC Curtain
1PC



B

The PVC curtain is a vertical rectangular panel with a horizontal top edge that has two circular fasteners. The panel has vertical lines or grooves running down its length.

Eave
2PCS



C

The eave is a rectangular component with a textured surface, possibly for drainage or insulation. It has a raised edge on one side and a recessed edge on the other.

Left panel
1PC



D

The left panel is a rectangular frame with horizontal slats, similar to the front panel but without the central window. It has a vertical edge on the left side.

Back panel
1PC



E

The back panel is a rectangular frame with horizontal slats, similar to the front panel but without the central window. It has a vertical edge on the right side.

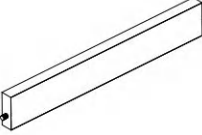
Right panel
1PC



F

The right panel is a rectangular frame with horizontal slats, similar to the front panel but without the central window. It has a vertical edge on the right side.

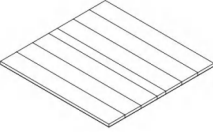
Divider
1PC



G

The divider is a long, narrow rectangular strip with a slightly raised edge on one side, used to separate sections of the structure.

Bottom floor
2PCS



H

The bottom floor consists of two square panels with horizontal slats, designed to form the base of the structure.

Left roof
1PC

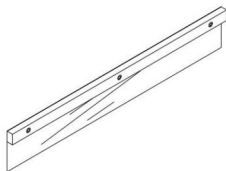


I

The left roof is a square panel with a textured surface and several small triangular fasteners or markers along its edges.

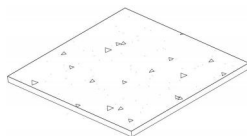
PARTS //

Waterproof PVC strip
1PC



J

Right roof
1PC

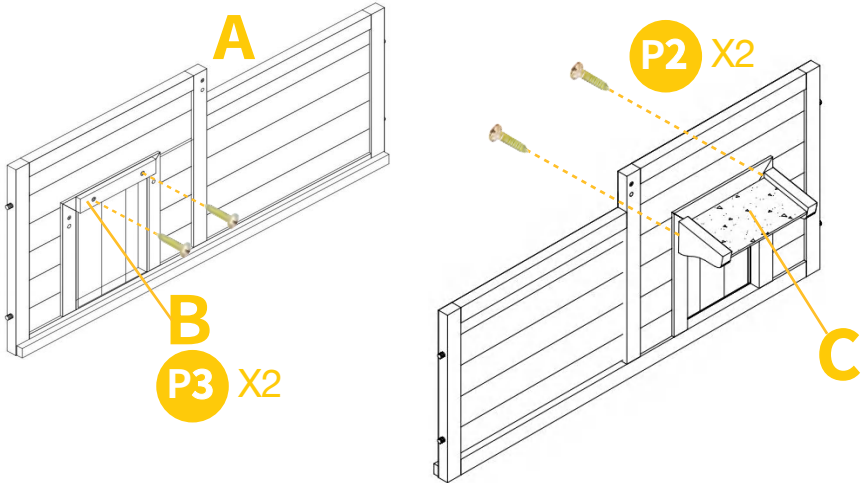


K

PRODUCT ASSEMBLY //

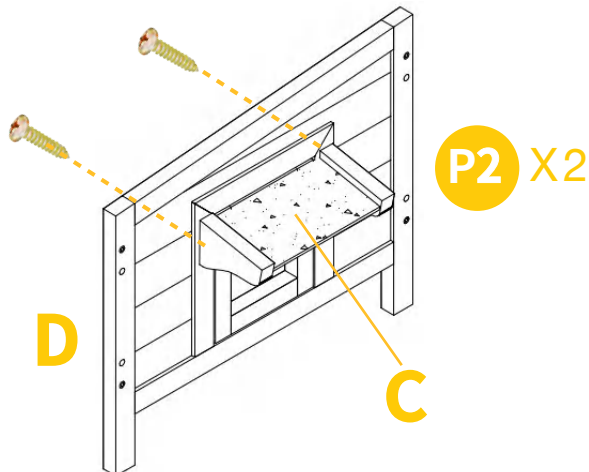
01

Screw the curtain Part B to the inside of the front panel Part A by 2xP3.
Screw the eave Part C to the front side of front panel by 2XP2.



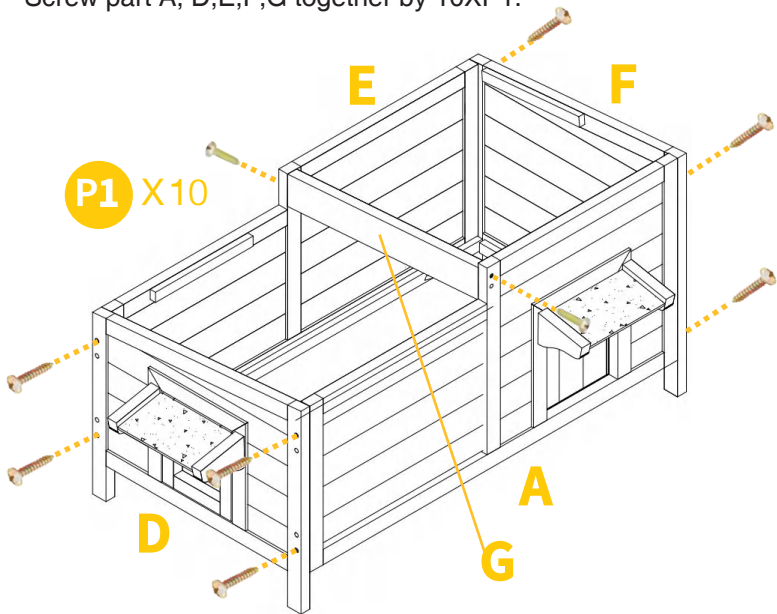
02

Screw the eave Part C to the left panel Part D by 2XP2.

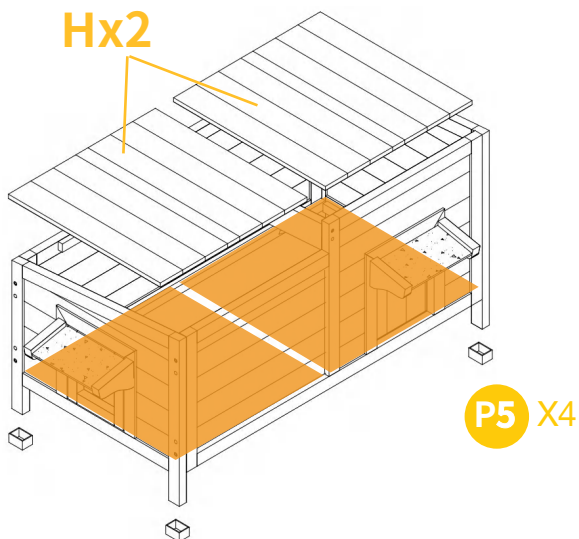


PRODUCT ASSEMBLY //

03 Screw part A, D,E,F,G together by 10XP1.



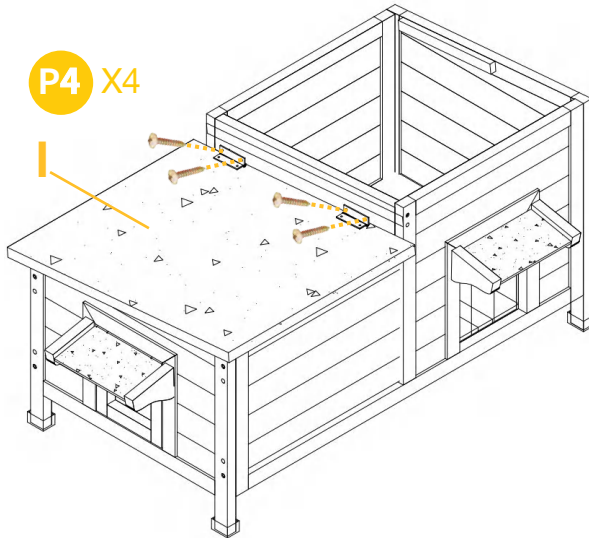
04 Put the bottom floor Part H to the house.



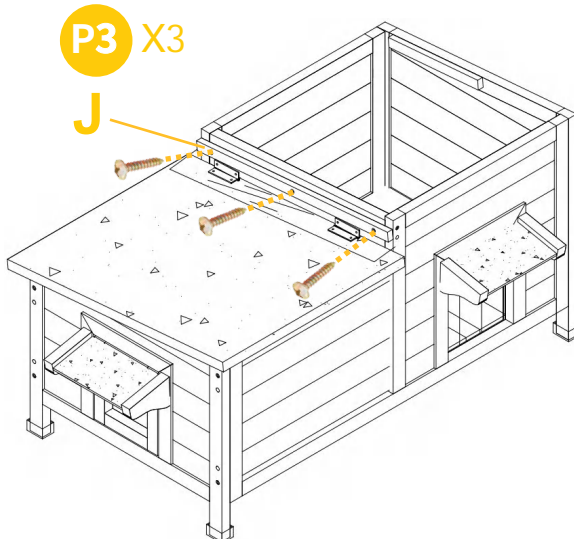
06

PRODUCT ASSEMBLY //

05 Screw the left roof Part I to the left house by 4XP4.

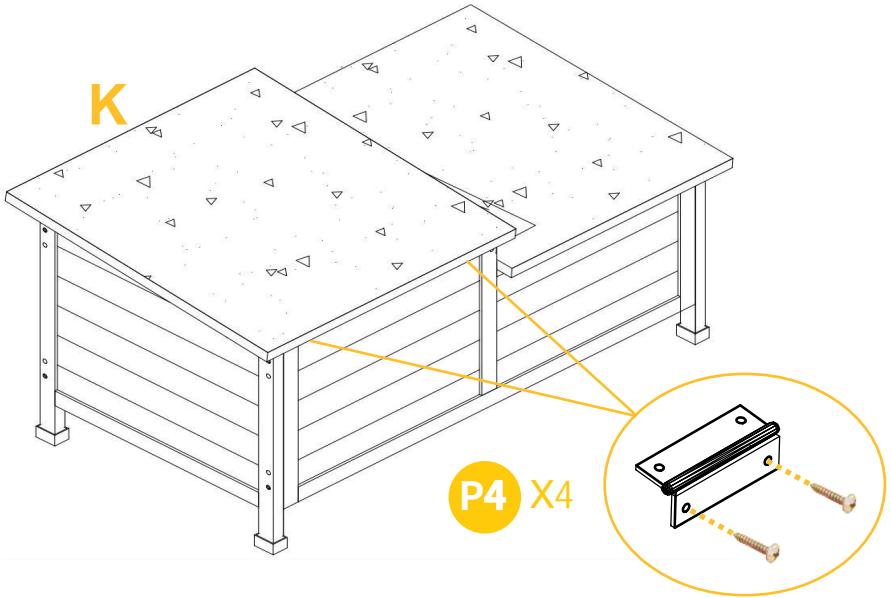


06 Screw the waterproof PVC strip Part J by 3XP3.



PRODUCT ASSEMBLY //

07 Screw the right roof Part K to the right house by 4XP4.



Finish

08



WARNING

Manufacturer and seller expressly disclaim any and all liability for personal injury, property damage or loss, whether direct, indirect, or incidental, resulting from the incorrect attachment, improper use, inadequate maintenance, or neglect of this product.