

INSTRUCTION MANUAL

AIR 90





NOTICE

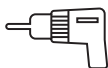
Please retain these instructions for future reference.

- Firmly secure all bolts,screws and knobs before use.
- Reconfirm that all bolts,screws,and knobs are secure every 90 days.
- Fasten screws loosely during initial assembly. Do not fully tighten screws until the item is completely assembled.
- Do not use or store this item in the proximity of open flame or flammable/combustible chemicals.
- Be aware that some parts are heavy and have sharp edges.
- Be aware that moving parts can injure,crush and cut.
- If any parts are missing,broken,damaged,or worn,stop using this product until repairs are made and/or factory replacement parts are installed.
- Do not use this item in a way inconsistent with the manufacturer's instructions as this could void the product warranty.

TOOLS REQUIRED //



PHILLIPS
SCREWDRIVER



DRILL
(RECOMMENDED)



2PERSON
ASSEMBLY



APPROXIMATELY
30MIN. ASSEMBLY

HARDWARE //

M6.0x30mm BOLT
8PCS



P1

M3.5x35mm SCREW
8PCS+1spare



P2

M3.0x35mm SCREW
14PCS+1spare



P3

M3.0x25mm SCREW
4PCS+1spare



P4

M3.0x18mm SCREW
16PCS+1spare



P5

PARTS

Left side metal bar
2PCS



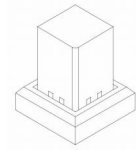
A

Right side metal bar
2PCS



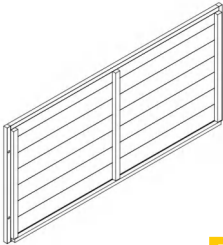
B

Plastic feet
4PCS



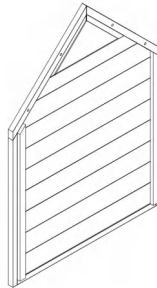
C

Back panel
1PC



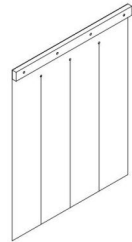
D

Side panel
2PCS



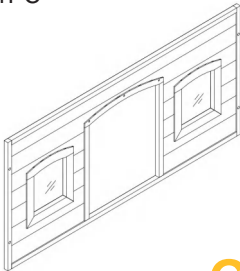
E

PVC curtain
1PC



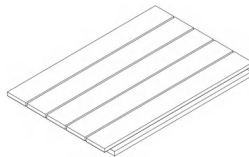
F

Front panel
1PC



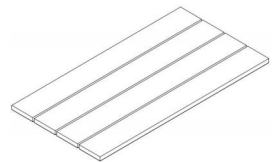
G

Bottom panel
2PCS



H

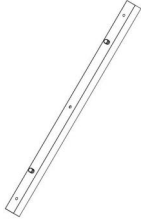
Bottom panel
1PC



I

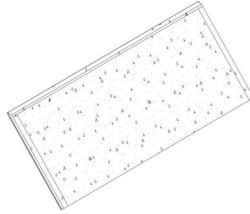
PARTS

Roof supporter
4PCS



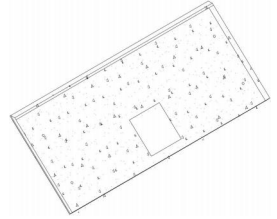
J

Roof-right side
1PC



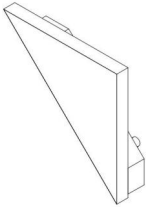
K

Roof-left side
1PC



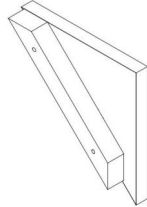
L

Little house-left side panel
1PC



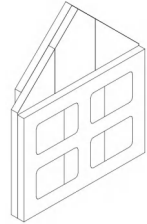
M

Little house-right side panel
1PC



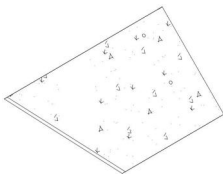
N

Little house-front panel
1PC



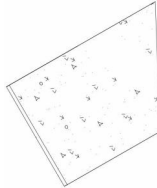
O

Little house roof-left side
1PC



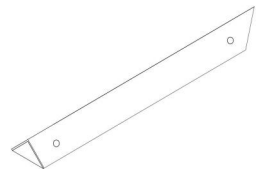
P

Little house roof-right side
1PC



Q

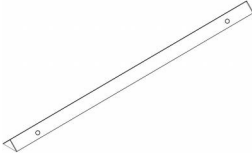
Roof cap-little house
1PC



R

PARTS //

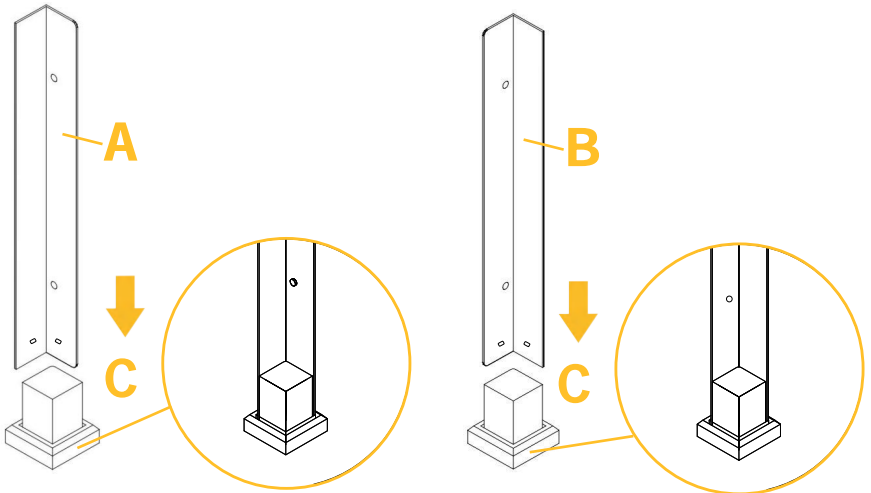
Roof cap
1PC



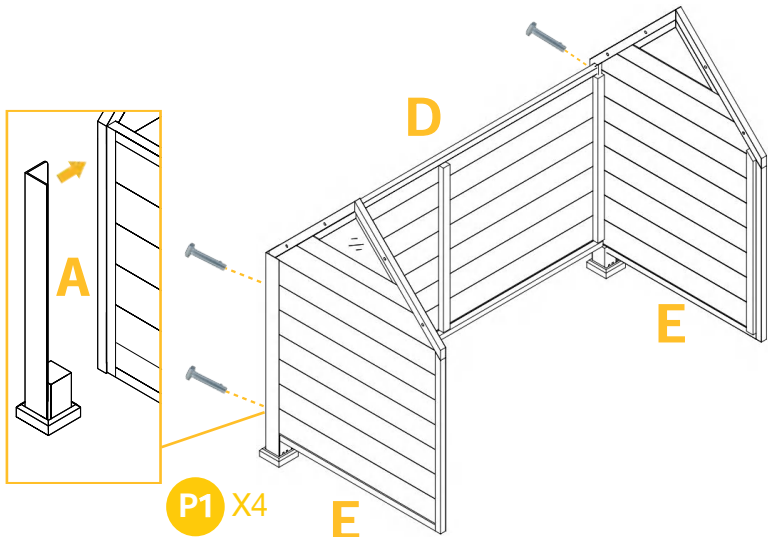
S

PRODUCT ASSEMBLY //

01 Attach the plastic feet Part C to the metal bars Part A & B with the buckle.

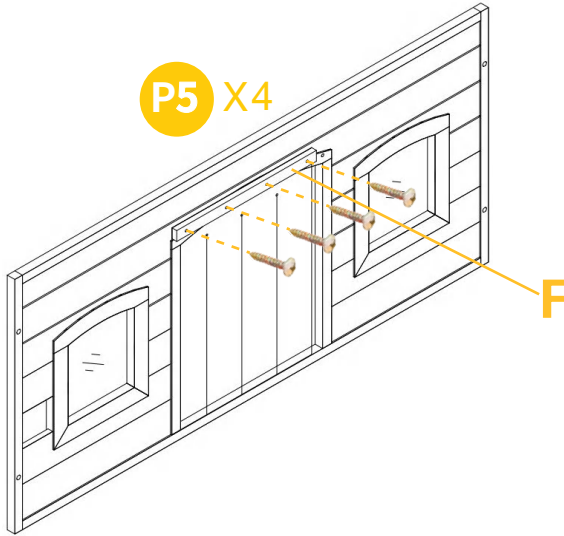


02 Attach the panel Part E & Part D with the metal bars Part A & B by 4xP1 screws.

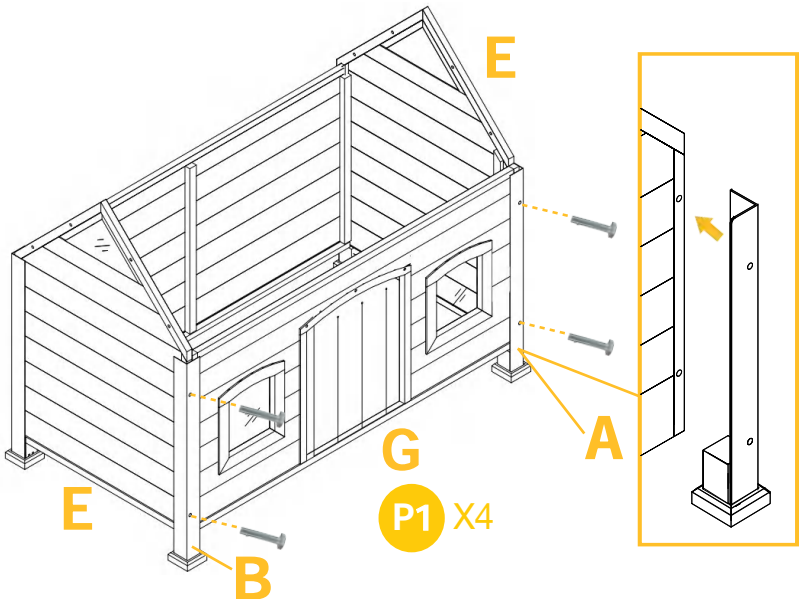


PRODUCT ASSEMBLY //

03 Screw the PVC curtain Part F **INSIDE** of the front panel Part G.

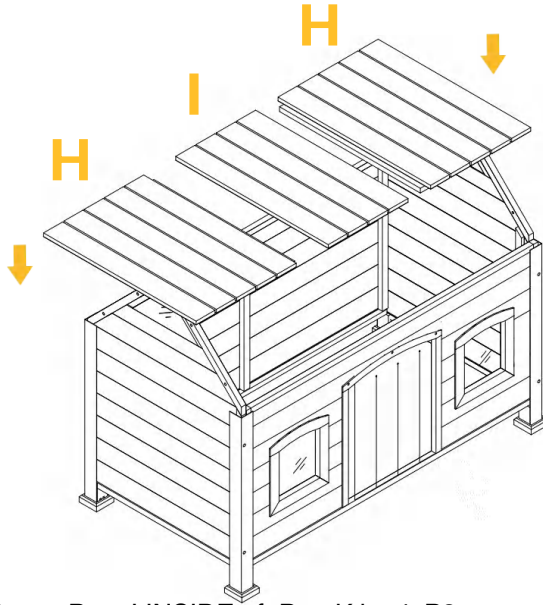


04 Attach the Part G to the house with metal bars Part A & Part B by 4xP1 screws.

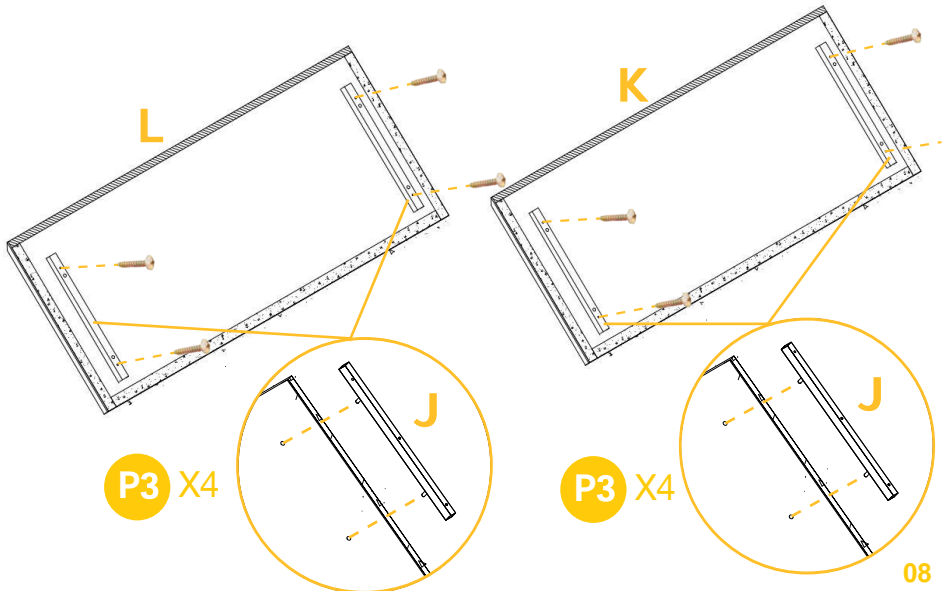


PRODUCT ASSEMBLY //

05 Put down the bottom panel Part H & Part I.

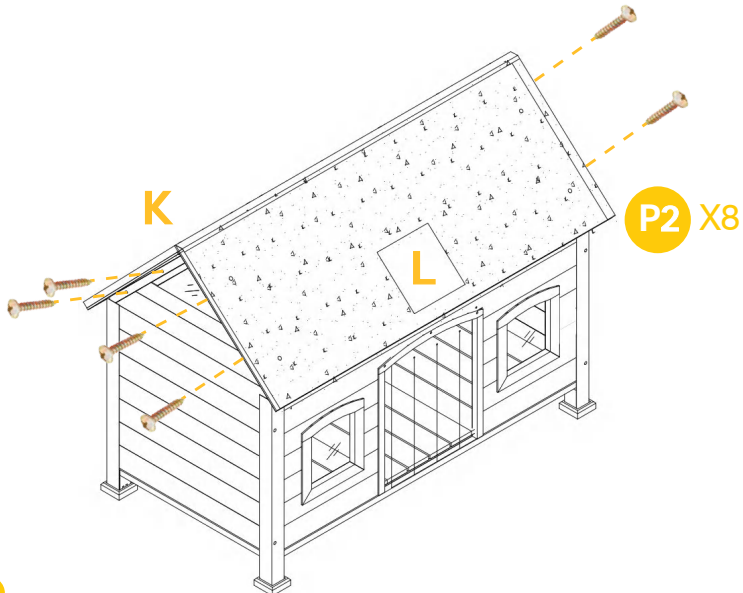


06 Screw Part J INSIDE of Part K by 4xP3 screws. Repeat on the other roof Part L by 4xP3 screws.

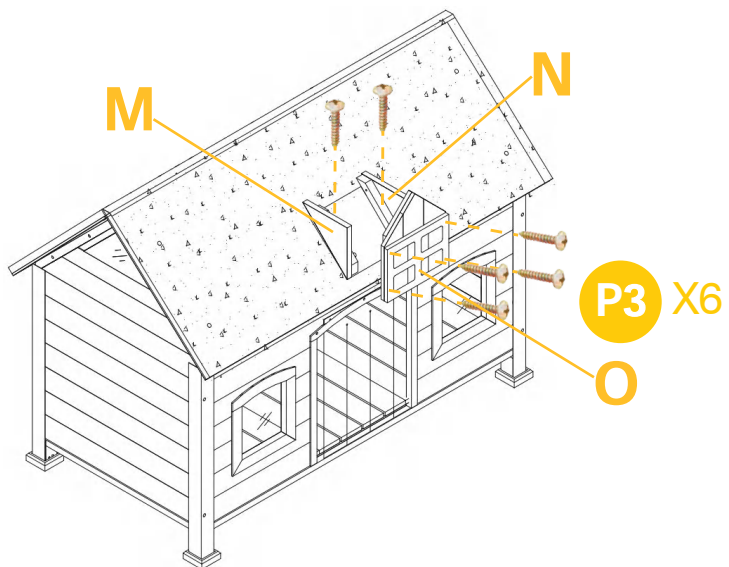


PRODUCT ASSEMBLY //

07 Attach Part K & Part L to the house by 8xP2 screws.

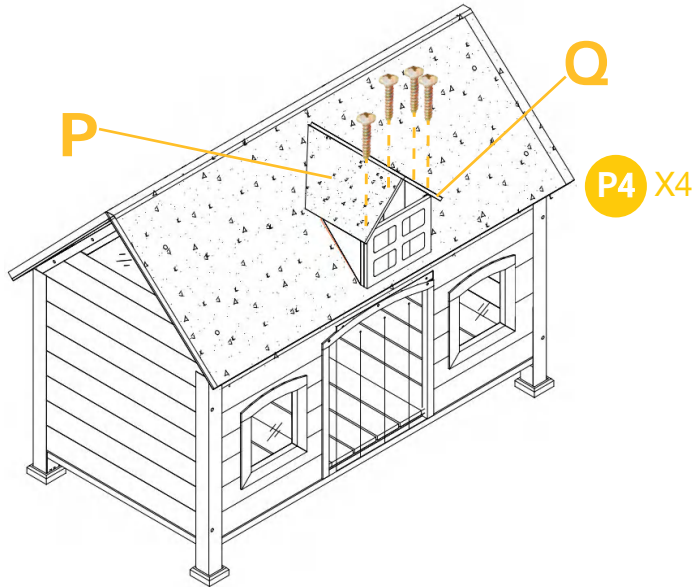


08 Attach little house Part M & Part N & Part O by 6xP3 screws.

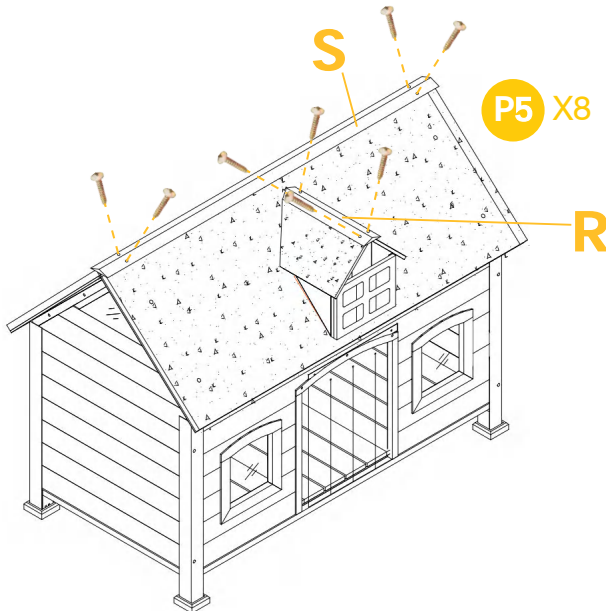


PRODUCT ASSEMBLY //

09 Attach little house roof Part P & Part Q to the little house by 4xP4 screws.



10 Attach roof bars Part R & Part S to the roof by 8xP5 screws.





WARNING

Manufacturer and seller expressly disclaim any and all liability for personal injury, property damage or loss, whether direct, indirect, or incidental, resulting from the incorrect attachment, improper use, inadequate maintenance, or neglect of this product.